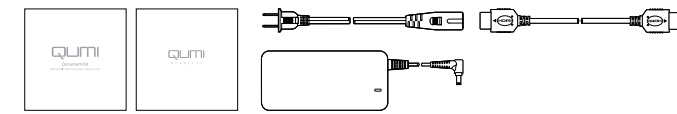
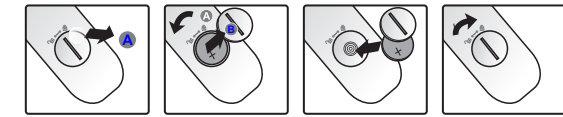
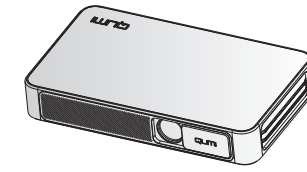


QUICK START GUIDE

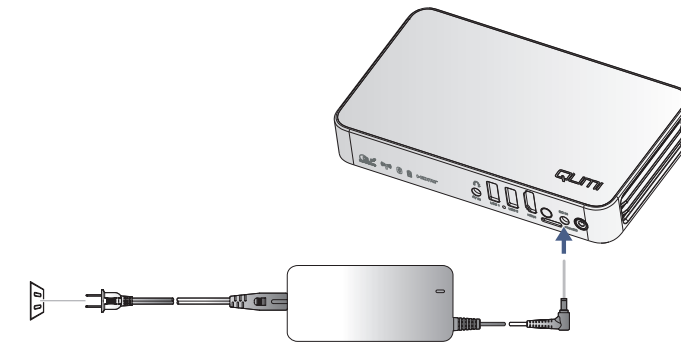
GUIDE DE DÉMARRAGE RAPIDE
 GUÍA DE INICIO RÁPIDO
 GUIA DE INICIO RÁPIDO
 快速入门指南
 クイックスタートガイド
 간편 시작 안내서
 دليل التشغيل السريع
 GUIDE DE MISE EN ROUTE
 GUÍA DE INICIO RÁPIDO
 GUIA DE CONSULTA RÁPIDA
 Schnellstartanleitung
 КРАТКОЕ РУКОВОДСТВО
 INSTRUKCJA SZYBKIEGO URUCHOMIENIA
 GUIDA RAPIDA
 快速使用手册
 คู่มือเริ่มต้นใช้งานอย่างย่อ



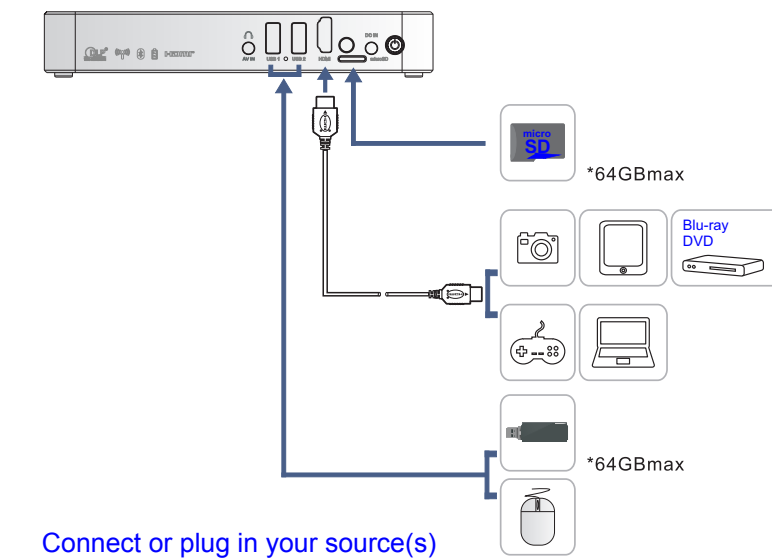
Use screwdriver to release battery cover and remove plastic battery projector

AC

Initially, plug Qumi in to an AC outlet.

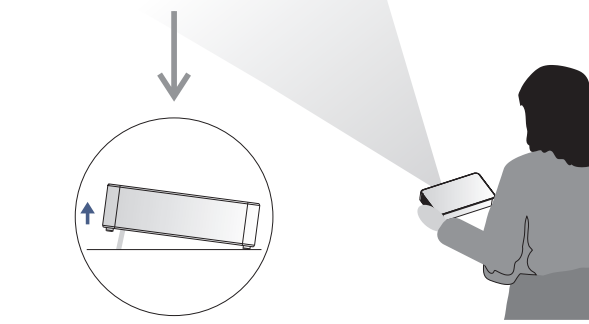
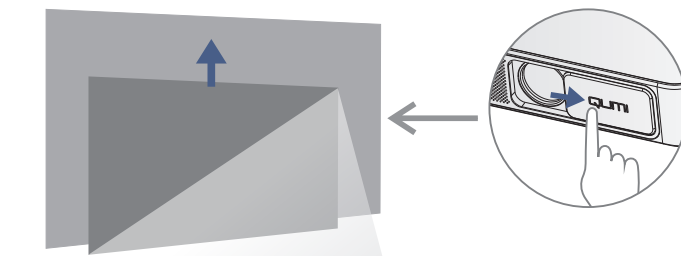


HDMI/USB/microSD



Connect or plug in your source(s)

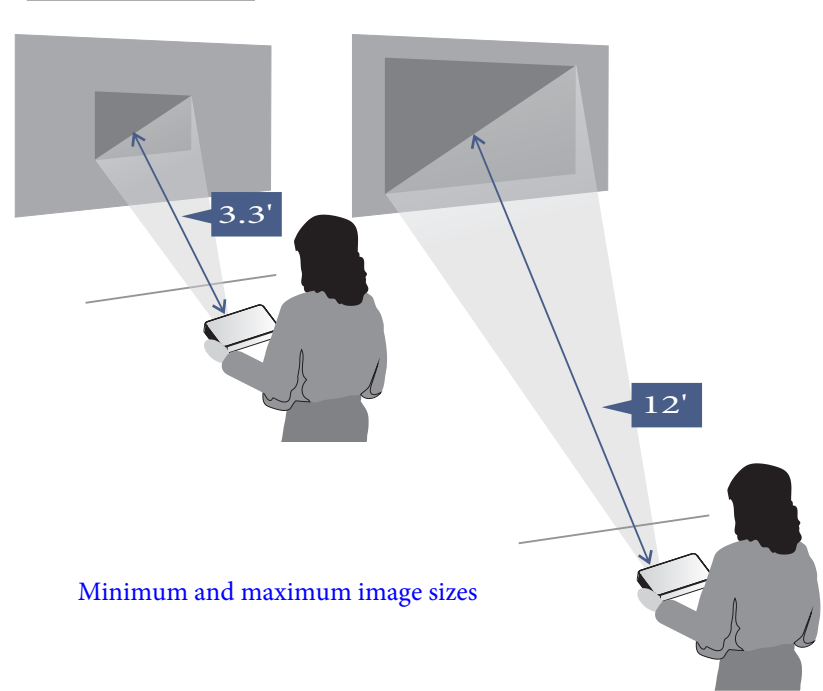
Slide lens protector to the right to expose the lens



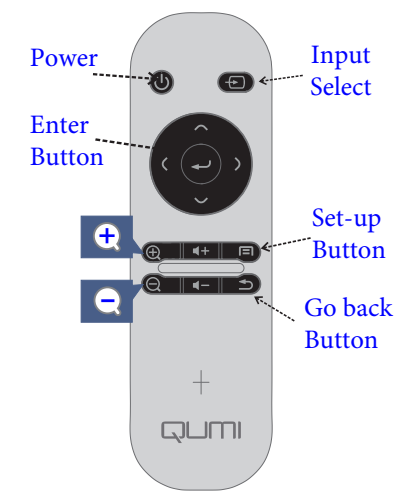
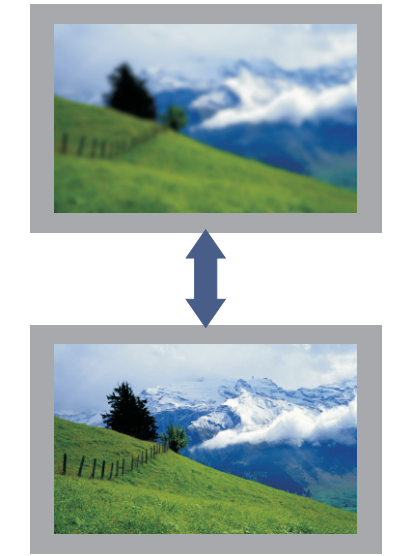
Kick stand

Image size is dependent on how far back from the screen the Qumi is placed

27" diagonal 100" diagonal

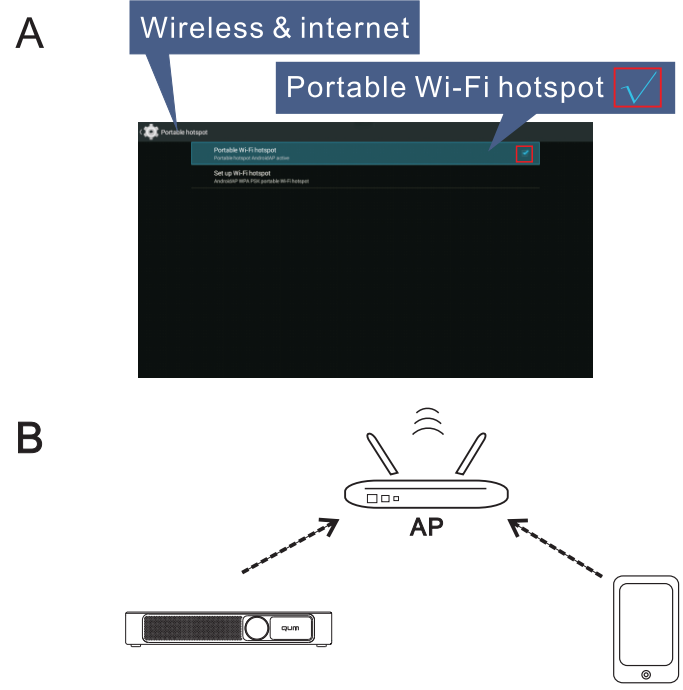


Minimum and maximum image sizes



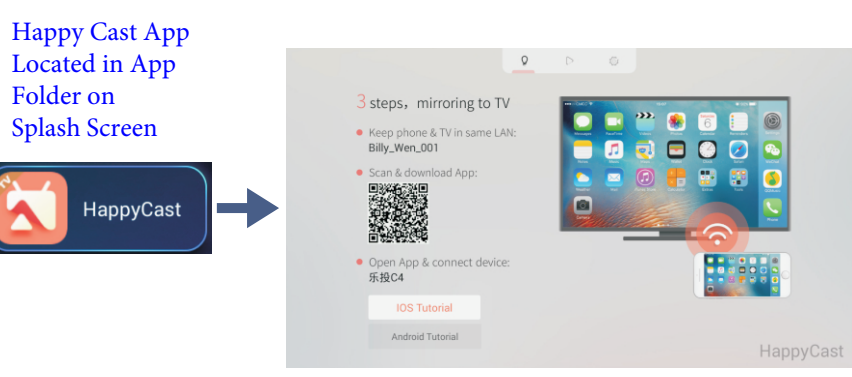
Focus using buttons on Remote

Screen- Mirroring 1



Consult the full User Manual for detailed instructions.

Screen- Mirroring 2



Scan QR code from mobile device.

Important Notice

Qumi Q3 Plus full User Manual is available on:

- The projector's internal memory:
Home page → Apps → File Browser → Local Disk → QumiQ3Plus-UM
- Browse to the Vivitek USA web site at:
www.vivitekusa.com/category/Qumi/



205 Westwood Ave, Long Branch, NJ 07740
 Phone: 866-94-BOARDS (26273) / (732)-222-1511
 Fax: (732)-222-7088 | E-mail: sales@touchboards.com

QUMI