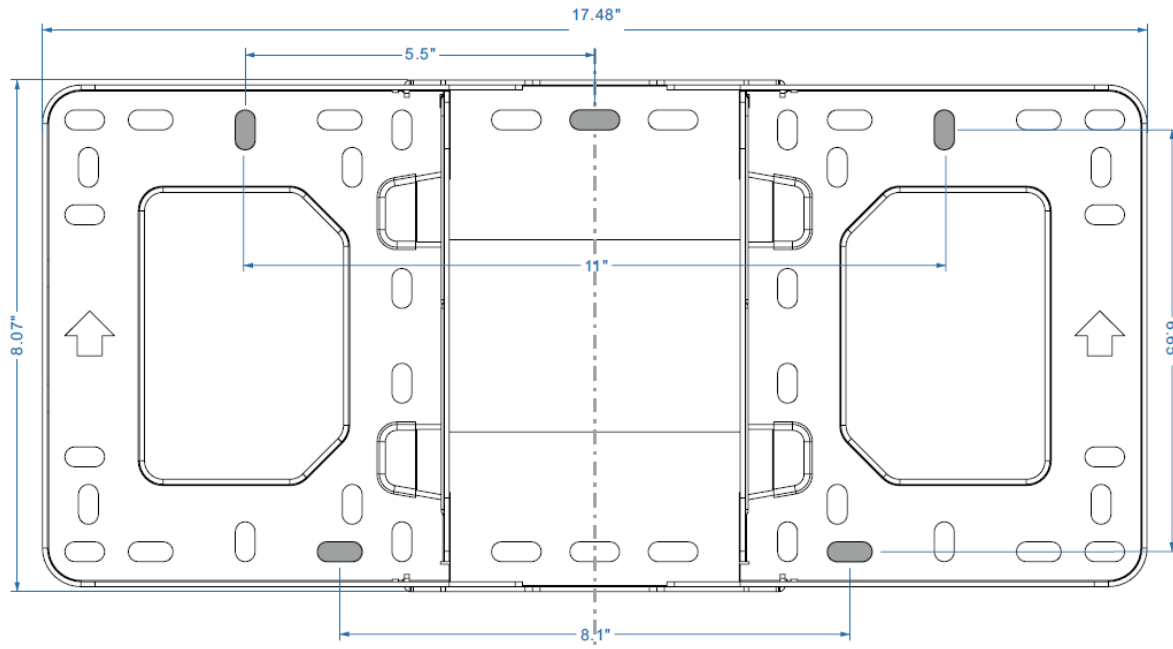
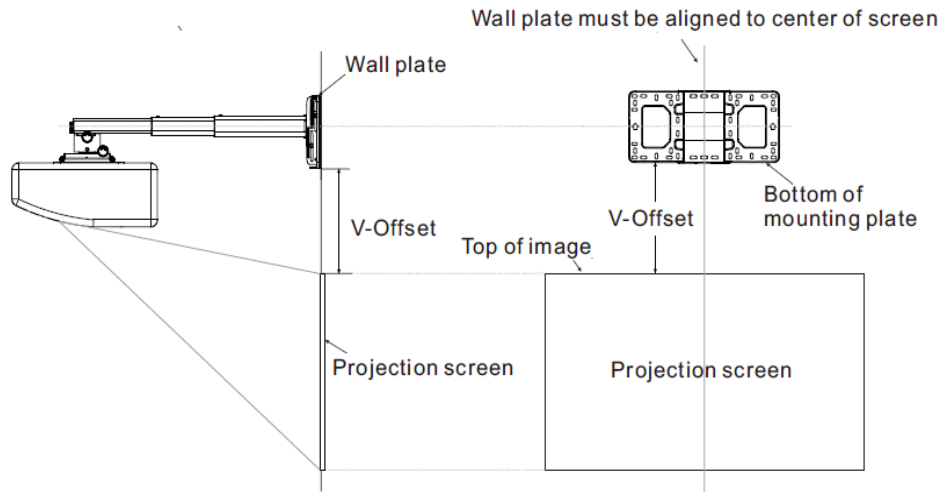


LASER ULTRA SHORT THROW
WALL MOUNT

LT30B-G / WM-3Z

Designed for all Ultra Short Throw projectors with simple assembly for quick and easy alignment

Specifications	LT30B-G	WM-3Z
Product Weight	9.9lbs (4.5kg)	12.13lbs (5.5kg)
Load Capacity	33lbs (15kg)	33 lbs (15kg)
Package Size	19.7" x 9.1" x 10.6"	19.7" x 9.1" x 10.6"
Front/Rear Adj	8.7" – 19.5"	12.8" – 29.13"
Up/Down Adj	± 1.5"	± 1.5"
Left/Right Adj	± 1.25"	± 1.25"
Adjustment Angle	Vertical tilt, Horizontal roll, Horizontal rotation, ±5° (3 directions)	
Image Size	80" to 118" diagonal	94" to 150" diagonal
UPC Code	813097023131	813097021977



LT30B-G Mount

Model DH765Z-UST DH768Z-UST	Image Size		V-Offset (Distance between bottom of wall plate to the top of the image)
	Diagonal Inch(cm)	Width x Height Inch (cm)	
Resolution 1080p (1920 x 1080)	80" (203)	70" x 39" (178 x 99)	11" (28cm)
	92" (234)	80" x 45" (203 x 114)	12.25" (31cm)
	100" (254)	87" x 49" (221 x 124)	13.25" (33.7cm)
	110" (279)	96" x 54" (244 x 137)	14.25" (36cm)
	118" (300)	103" x 58" (262 x 147)	15.25" (39cm)

Note: 1080P V-Offset can be calculated for different screen sizes using the following formula

$$\text{V-Offset} = (\text{Screen Width}/2) \times (0.3)$$

Model DW763Z-UST	Image Size		V-Offset (Distance between bottom of wall plate to the top of the image)
	Diagonal Inch (cm)	Width x Height Inch (cm)	
Resolution: WXGA (1280 x800)	80" (203)	68" x 42.5" (173 x 108)	10" (25cm)
	94" (239)	80" x 50" (203x 127)	11.25" (29cm)
	100" (254)	85" x 53" (216 x 135)	12.0" (30cm)
	118" (300)	100" x 63" (254 x 160)	13.75" (35cm)

Note: WXGA V-Offset can be calculated for different screen sizes using the following formula

$$\text{V-Offset} = (\text{Screen Width}/2) \times (0.27)$$

WM-3Z Mount

Model: DH765Z-UST DH768Z-UST	Image Size		V-Offset (Distance between bottom of wall plate to the top of the image)
	Diagonal Inch (cm)	Width x Height Inch (cm)	
Resolution 1080p (1920 x 1080)	94" (239)	82" x 46" (208 x 117)	12.25" (31cm)
	100" (254)	87" x 49" (221 x 124)	13.25" (33.7cm)
	110" (279)	96" x 54" (244 x 137)	14.25" (36cm)
	120" (305)	104" x 59" (264 x 150)	15.25" (39cm)
	150" (381)	131" x 73" (333 x 185)	19.65" (50cm)

Note: 1080P V-Offset can be calculated for different screen sizes using the following formula

$$\text{V-Offset} = (\text{Screen Width}/2) \times (0.3)$$

Model: DW763Z-UST	Image Size		V-Offset (Distance between bottom of wall plate to the top of the image)
	Diagonal Inch (cm)	Width x Height Inch (cm)	
Resolution: WXGA (1280 x800)	90" (229)	77" x 48" (196 x 121)	11" (25cm)
	94" (239)	80" x 50" (203x 127)	11.25" (29cm)
	100" (254)	85" x 53" (216 x 135)	12.0" (30cm)
	118" (300)	100" x 63" (254 x 160)	13.75" (35cm)
	150" (381)	128" x 80" (325 x 203)	16.75" (42.5cm)

Note: WXGA V-Offset can be calculated for different screen sizes using the following formula

$$\text{V-Offset} = (\text{Screen Width}/2) \times (0.27)$$