

▼ W4206X cassette with W4000PX drive unit



Setting New Standards in Safety, Simplicity and Performance



Two Handle Styles

Robust angled positioning handles come standard with every W-Series (X-Edition) tool. Straight positioning handles, designed for extreme limited access applications, are available as accessories.

| Compatible W-Series (X-Edition) Wrenches | Angled Positioning Handles (standard) | Straight Positioning Handles (optional) |
|--|--|---|
| W2000X, W4000X | SWH6A | SWH6S |
| W8000X, W15000X | SWH10A | SWH10S |
| W22000X, W35000X | Supplied with an eyebolt handle (SWH10EA) | |

Safety and Performance

- Superior strength to size ratio provides easy access to difficult to reach applications without sacrificing endurance
- 30° rotation angle and rapid return stroke provide fast operation
- Tough manifold design with added safety feature for enhanced operator safety

Simplicity

- Fast release drive unit enables rapid exchange of cassettes, no tools required and no pins to lose
- Drive unit includes robust handle which mounts on both sides to allow for extra maneuverability
- Quick and easy disassembly for maintenance without special tools

Versatility

- Available with optional enhanced tilt and swivel TSP300 manifold for horizontal and vertical maneuverability, with greater durability*
- X-Edition drive units, cassettes and most accessories are compatible with standard edition tools *
- Drive unit compatible with UltraSlim cassettes

Accuracy

- Constant torque output provides accuracy of +/-3% across full stroke

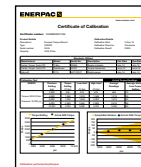
* TSP300 is designed for X-Edition tools only, and is not compatible with standard edition tools. For replacement components for existing tools, refer to repair sheet on www.enerpac.com



TSP - Pro Series Swivel

The optional TSP300 tilt and swivel manifold with robust interlocking design provides 360° X-axis rotation and 160° Y-axis rotation.

Page: 260



Calibration Certificate

All X-Edition cassettes are CE-ATEX certified, factory calibrated and are shipped complete with a calibration certificate.

CE Ex II 2 GD ck T4
CSA/SIRA 15XT072

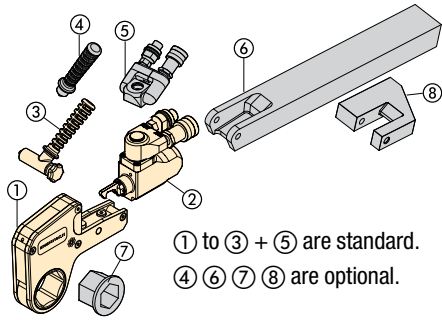


Bolting Integrity Software

Enerpac Bolting Integrity Software Solutions play a key role in implementing and managing an Integrity Program for bolted connections. The software offers Tool selection, Bolt Load calculations and Tool pressure settings, as well as, a combined Application Data Sheet and Joint Completion Report. Custom Joint information can also be entered.

Page: 416

Double-Acting Hydraulic Hexagon Wrenches, X-Edition



- ① Hexagon Cassette (pages 250-257)
- ② Drive Unit (page 249)
- ③ Angled Positioning Handle (page 248)
- ④ Straight Positioning Handle (page 248)
- ⑤ Pro Series Swivel (page 260)
- ⑥ Extended Reaction Arm (page 260)
- ⑦ Reducer Insert (pages 250-257)
- ⑧ Reaction Paddle (page 260)

① to ③ + ⑤ are standard.
④ ⑥ ⑦ ⑧ are optional.

W Series (X-Edition)



Nominal Torque at 10,000 psi:

35,000 ft.lbs

Hexagon Range:

1 1/16 - 6 1/8 in | 30-155 mm

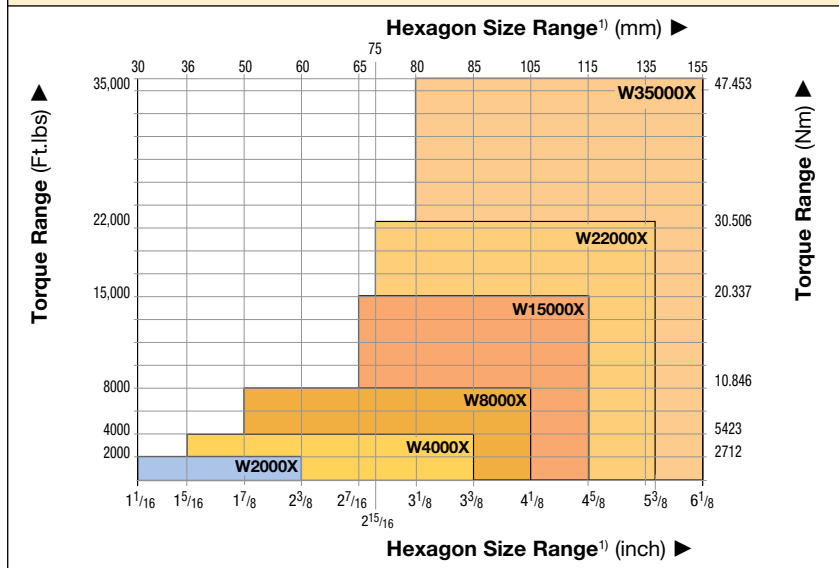
Nose Radius:

1.22 - 4.52 inches

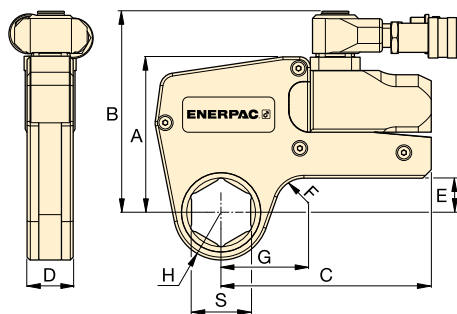
Maximum Operating Pressure:

10,000 psi

DRIVE UNIT AND INTERCHANGEABLE CASSETTE SELECTION



¹⁾ See page 411 for table of hexagon sizes of bolts, nuts and related thread diameters.



SELECTION CHART

| Hexagon Range * | Nominal Torque at 10,000 psi | | Drive Unit Model Number ** | Minimum Torque | | Dimensions (in) | | | | | Weight (lbs) | |
|-----------------|------------------------------|--------|----------------------------|----------------|------|-----------------|-------|-------|-------|------|--------------|-------|
| | (in) | (mm) | | (Ft.lbs) | (Nm) | (Ft.lbs) | (Nm) | A | B | C | | D |
| 1 1/16 - 2 3/8 | 30 - 60 | 2040 | 2766 | W2000X | 204 | 277 | 4.29 | 5.55 | 5.83 | 1.26 | 0.79 | 3.04 |
| 1 5/16 - 3 3/8 | 36 - 85 | 4175 | 5661 | W4000X | 418 | 566 | 5.35 | 6.57 | 7.01 | 1.61 | 0.79 | 4.44 |
| 1 7/8 - 4 1/8 | 50 - 105 | 8470 | 11,484 | W8000X | 847 | 1148 | 6.77 | 8.07 | 8.19 | 2.07 | 0.98 | 6.59 |
| 2 7/16 - 4 5/8 | 65 - 115 | 15,330 | 20,785 | W15000X | 1533 | 2079 | 8.15 | 9.45 | 9.96 | 2.48 | 0.79 | 10.72 |
| 2 5/8 - 5 3/8 | 75 - 135 | 22,500 | 30,506 | W22000X | 2250 | 3050 | 8.94 | 10.46 | 11.68 | 3.03 | 1.38 | 16.98 |
| 3 1/8 - 6 1/8 | 80-155 | 35,000 | 47,453 | W35000X | 3500 | 4745 | 10.54 | 11.94 | 13.60 | 3.57 | 1.98 | 26.40 |

* With in-line reaction foot.

** To order a W-series (X-Edition) wrench fitted with the TSP swivel, insert a "P" prior to the "X" in the tool designation. e.g., **W2000PX**.



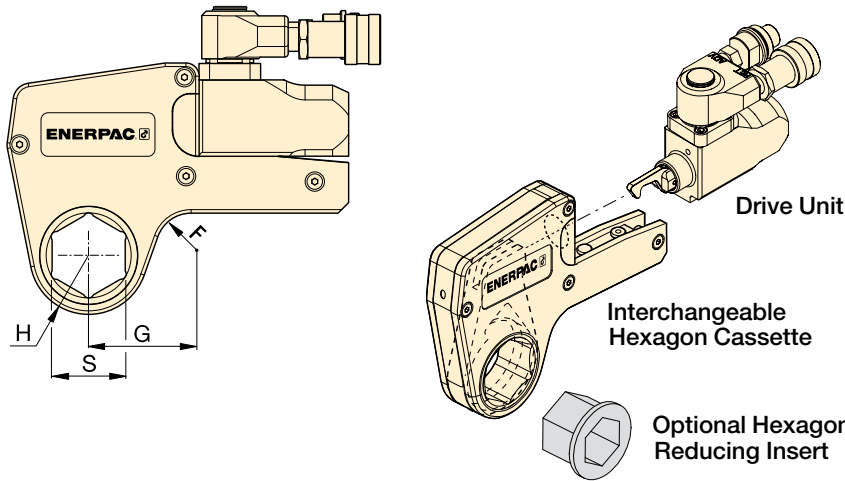
Torque Wrench Pump Selection Matrix

For optimum speed and performance see the torque wrench and pump matrix.

Page: **291**

▼ These rigid steel wrenches with low-profile interchangeable hexagon cassettes guarantee durability and maximum versatility in bolting applications.





W Series (X-Edition)



Nominal Torque at 10,000 psi:

2040 ft.lbs

Hexagon Range:

1¹/₁₆ - 2³/₈ inches

Maximum Operating Pressure:

10,000 psi



Metric Sizes

For metric sizes of hexagon cassettes and reducer inserts see:

Page: 256



Back-Up Spanners

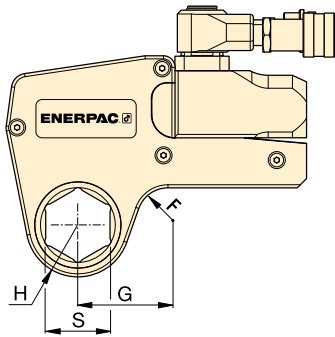
Hands free tool to be used to stop back nut from turning during make up or break out.

Page: 245

SELECTION CHART

| Drive Unit Model Number | Hexagon Size | Nose Radius | Dim. G (in) | Model Number | Wt. (lbs) | Hexagon Reducer | | Hexagon Reducer | | Hexagon Reducer | |
|--------------------------------|---------------------------------|-------------|-------------|--------------|---|--|--|---|---|---|--------------|
| | | | | | | Hexagon Reducer (in) | Model Number | Hexagon Reducer (in) | Model Number | Hexagon Reducer (in) | Model Number |
| W2000X | 1 ¹ / ₁₆ | 1.22 | 2.11 | W2101X | 4.19 | - | - | - | - | - | - |
| | 1 ¹ / ₈ | 1.22 | 2.11 | W2102X | 4.19 | - | - | - | - | - | - |
| | 1 ³ / ₁₆ | 1.22 | 2.11 | W2103X | 4.19 | - | - | - | - | - | - |
| | 1 ¹ / ₄ | 1.22 | 2.11 | W2104X | 4.19 | - | - | - | - | - | - |
| | 1 ⁵ / ₁₆ | 1.22 | 2.11 | W2105X | 4.48 | - | - | - | - | - | - |
| | 1 ³ / ₈ | 1.22 | 2.11 | W2106X | 4.43 | - | - | - | - | - | - |
| | 1 ⁷ / ₁₆ | 1.22 | 2.11 | W2107X | 4.37 | 1 ⁷ / ₁₆ - 1 ¹ / ₈ | W2107R102 | - | - | - | - |
| | 1 ¹ / ₂ | 1.32 | 2.29 | W2108X | 4.51 | - | - | - | - | - | - |
| | 1 ⁹ / ₁₆ | 1.32 | 2.29 | W2109X | 4.44 | - | - | - | - | - | - |
| | 1 ⁵ / ₈ | 1.32 | 2.29 | W2110X | 4.38 | 1 ⁵ / ₈ - 1 ¹ / ₄ | W2110R104 | 1 ⁵ / ₈ - 1 ³ / ₁₆ | W2110R103 | - | - |
| | 1 ¹¹ / ₁₆ | 1.44 | 2.38 | W2111X | 4.63 | - | - | - | - | - | - |
| | 1 ³ / ₄ | 1.44 | 2.38 | W2112X | 4.57 | - | - | - | - | - | - |
| | 1 ¹³ / ₁₆ | 1.44 | 2.38 | W2113X | 4.46 | 1 ¹³ / ₁₆ - 1 ⁷ / ₁₆ | W2113R107 | 1 ¹³ / ₁₆ - 1 ¹ / ₄ | W2113R104 | - | - |
| | 1 ⁷ / ₈ | 1.54 | 2.48 | W2114X | 4.69 | - | - | - | - | - | - |
| | 1 ¹⁵ / ₁₆ | 1.54 | 2.48 | W2115X | 4.64 | - | - | - | - | - | - |
| | 2 | 1.54 | 2.48 | W2200X | 4.54 | 2 - 1 ⁵ / ₈ | W2200R110 | 2 - 1 ⁷ / ₁₆ | W2200R107 | - | - |
| | 2 ¹ / ₁₆ | 1.65 | 2.70 | W2201X | 4.83 | - | - | - | - | - | - |
| | 2 ¹ / ₈ | 1.65 | 2.70 | W2202X | 4.74 | - | - | - | - | - | - |
| | 2 ³ / ₁₆ | 1.65 | 2.70 | W2203X | 4.64 | 2 ³ / ₁₆ - 1 ¹³ / ₁₆ | W2203R113 | 2 ³ / ₁₆ - 1 ⁵ / ₈ | W2203R110 | 2 ³ / ₁₆ - 1 ⁷ / ₁₆ | W2203R107 |
| | 2 ¹ / ₄ | 1.75 | 2.55 | W2204X | 4.94 | - | - | - | - | - | - |
| 2 ⁵ / ₁₆ | 1.75 | 2.55 | W2205X | 4.84 | - | - | - | - | - | - | |
| 2 ³ / ₈ | 1.75 | 2.55 | W2206X | 4.72 | 2 ³ / ₈ - 2 | W2206R200 | 2 ³ / ₈ - 1 ⁷ / ₈ | W2206R114 | 2 ³ / ₈ - 1 ¹³ / ₁₆ | W2206R113 | |
| - | - | - | - | - | 2 ³ / ₈ - 1 ¹ / ₂ | W2206R108 | 2 ³ / ₈ - 1 ⁷ / ₁₆ | W2206R107 | 2 ³ / ₈ - 1 ⁵ / ₈ | W2206R110 | |

W4000X, Inch-Cassettes & Reducer Inserts



Nominal Torque at 10,000 psi:

4175 ft.lbs

Hexagon Range:

1⁵/₁₆ - 3³/₈ inches

Maximum Operating Pressure:

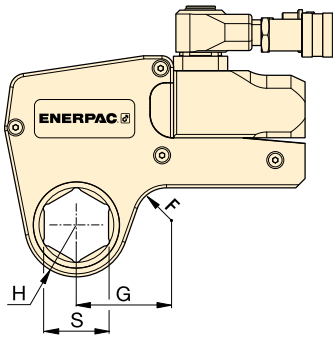
10,000 psi

W
Series
(X-Edition)



▼ **SELECTION CHART**

| Drive Unit Model Number | Hexagon Size | Nose Radius | Dim. | Model Number | Wt. | Hexagon Reducer | | Hexagon Reducer | | Hexagon Reducer | |
|--------------------------------|---------------------------------|----------------|-----------|-----------------|-------|--|-----------------|--|-----------------|--|-----------------|
| | | | | | | Hexagon Reducer (in) | Model Number | Hexagon Reducer (in) | Model Number | Hexagon Reducer (in) | Model Number |
| | S (in) | H (in) | G (in) | | (lbs) | | | | | | |
| W4000X | 1 ⁵ / ₁₆ | 1.46 | 2.40 | W4105X | 8.15 | - | - | - | - | - | - |
| | 1 ³ / ₈ | 1.46 | 2.40 | W4106X | 8.15 | - | - | - | - | - | - |
| | 1 ⁷ / ₁₆ | 1.46 | 2.40 | W4107X | 8.15 | - | - | - | - | - | - |
| | 1 ¹ / ₂ | 1.46 | 2.40 | W4108X | 8.31 | - | - | - | - | - | - |
| | 1 ⁹ / ₁₆ | 1.46 | 2.40 | W4109X | 8.22 | - | - | - | - | - | - |
| | 1 ⁵ / ₈ | 1.46 | 2.40 | W4110X | 8.15 | - | - | - | - | - | - |
| | 1 ¹¹ / ₁₆ | 1.56 | 2.52 | W4111X | 8.43 | - | - | - | - | - | - |
| | 1 ³ / ₄ | 1.56 | 2.52 | W4112X | 8.35 | - | - | - | - | - | - |
| | 1 ¹³ / ₁₆ | 1.56 | 2.52 | W4113X | 8.25 | - | - | - | - | - | - |
| | 1 ⁷ / ₈ | 1.63 | 2.63 | W4114X | 8.45 | - | - | - | - | - | - |
| | 1 ¹⁵ / ₁₆ | 1.63 | 2.63 | W4115X | 8.39 | - | - | - | - | - | - |
| | 2 | 1.63 | 2.63 | W4200X | 8.28 | 2 - 1 ⁷ / ₁₆ | W4200R107 | - | - | - | - |
| | 2 ¹ / ₁₆ | 1.73 | 2.89 | W4201X | 8.65 | - | - | - | - | - | - |
| | 2 ¹ / ₈ | 1.73 | 2.89 | W4202X | 8.53 | - | - | - | - | - | - |
| | 2 ³ / ₁₆ | 1.73 | 2.89 | W4203X | 8.42 | 2 ³ / ₁₆ - 1 ⁵ / ₈ | W4203R110 | 2 ³ / ₁₆ - 1 ⁷ / ₁₆ | W4203R107 | 2 ³ / ₁₆ - 1 ¹ / ₄ | W4203R104 |
| | 2 ¹ / ₄ | 1.83 | 2.78 | W4204X | 8.73 | - | - | - | - | - | - |
| | 2 ⁵ / ₁₆ | 1.83 | 2.78 | W4205X | 8.61 | - | - | - | - | - | - |
| | 2 ³ / ₈ | 1.83 | 2.78 | W4206X | 8.47 | 2 ³ / ₈ - 2 | W4206R200 | 2 ³ / ₈ - 1 ¹³ / ₁₆ | W4206R113 | 2 ³ / ₈ - 1 ⁷ / ₁₆ | W4206R107 |
| | - | - | - | - | - | 2 ³ / ₈ - 1 ³ / ₈ | W4206R106 | - | - | - | - |
| | 2 ⁷ / ₁₆ | 1.95 | 3.00 | W4207X | 8.96 | 2 ⁷ / ₁₆ - 2 | W4207R200 | - | - | - | - |
| | 2 ¹ / ₂ | 1.95 | 3.00 | W4208X | 8.86 | 2 ¹ / ₂ - 2 | W4208R200 | 2 ¹ / ₂ - 1 ¹³ / ₁₆ | W4208R113 | 2 ¹ / ₂ - 2 ¹ / ₁₆ | W4208R201 |
| | 2 ⁹ / ₁₆ | 1.95 | 3.00 | W4209X | 8.67 | 2 ⁹ / ₁₆ - 2 ³ / ₁₆ | W4209R203 | 2 ⁹ / ₁₆ - 2 ¹ / ₈ | W4209R202 | - | - |
| | - | - | - | - | - | 2 ⁹ / ₁₆ - 2 | W4209R200 | 2 ⁹ / ₁₆ - 1 ¹³ / ₁₆ | W4209R113 | - | - |
| | 2 ⁵ / ₈ | 2.07 | 3.08 | W4210X | 9.14 | - | - | - | - | - | - |
| | 2 ¹¹ / ₁₆ | 2.07 | 3.08 | W4211X | 9.03 | - | - | - | - | - | - |
| | 2 ³ / ₄ | 2.07 | 3.08 | W4212X | 8.84 | 2 ³ / ₄ - 2 ³ / ₈ | W4212R206 | 2 ³ / ₄ - 2 ³ / ₁₆ | W4212R203 | 2 ³ / ₄ - 2 ¹ / ₈ | W4212R202 |
| | 2 ¹³ / ₁₆ | 2.18 | 3.21 | W4213X | 9.32 | - | - | - | - | - | - |
| | 2 ⁷ / ₈ | 2.18 | 3.21 | W4214X | 9.17 | - | - | - | - | - | - |
| | 2 ¹⁵ / ₁₆ | 2.18 | 3.21 | W4215X | 8.96 | 2 ¹⁵ / ₁₆ - 2 ⁹ / ₁₆ | W4215R209 | 2 ¹⁵ / ₁₆ - 2 ³ / ₈ | W4215R206 | 2 ¹⁵ / ₁₆ - 2 ³ / ₁₆ | W4215R203 |
| | - | - | - | - | - | 2 ¹⁵ / ₁₆ - 2 | W4215R200 | - | - | - | - |
| | 3 | 2.30 | 3.29 | W4300X | 9.51 | 3 - 2 ³ / ₁₆ | W4300R203 | - | - | - | - |
| | 3 ¹ / ₁₆ | 2.30 | 3.29 | W4301X | 9.42 | - | - | - | - | - | - |
| | 3 ¹ / ₈ | 2.30 | 3.29 | W4302X | 9.16 | - | - | 3 ¹ / ₈ - 2 ³ / ₄ | W4302R212 | 3 ¹ / ₈ - 2 ⁹ / ₁₆ | W4302R209 |
| | - | - | - | - | - | 3 ¹ / ₈ - 2 ³ / ₈ | W4302R206 | 3 ¹ / ₈ - 2 ⁵ / ₁₆ | W4302R205 | 3 ¹ / ₈ - 2 ¹ / ₄ | W4302R204 |
| | - | - | - | - | - | 3 ¹ / ₈ - 2 ³ / ₁₆ | W4302R203 | 3 ¹ / ₈ - 2 ¹ / ₈ | W4302R202 | 3 ¹ / ₈ - 2 | W4302R200 |
| | 3 ³ / ₁₆ | 2.44 | 3.37 | W4303X | 9.92 | - | - | - | - | - | - |
| 3 ¹ / ₄ | 2.44 | 3.37 | W4304X | 9.92 | - | - | - | - | - | - | |
| 3 ⁵ / ₁₆ | 2.44 | 3.37 | W4305X | 9.92 | - | - | - | - | - | - | |
| 3 ³ / ₈ | 2.44 | 3.37 | W4306X | 9.92 | - | - | - | - | - | - | |



Nominal Torque at 10,000 psi:

8470 ft.lbs

Hexagon Range:

1⁷/₈ - 4¹/₈ inches

Maximum Operating Pressure:

10,000 psi

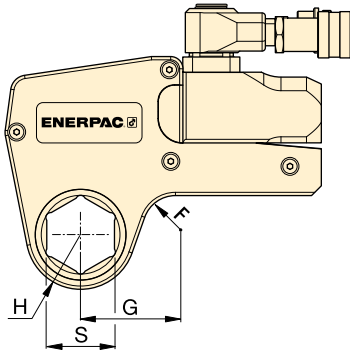
W
Series
(X-Edition)



▼ SELECTION CHART

| Drive Unit Model Number | Hexagon Size | Nose Radius | Dim. | Model Number | Wt. | Hexagon Reducer | | Hexagon Reducer | | Hexagon Reducer | |
|---------------------------------|---------------------------------|----------------|----------------|-----------------|---|---|---|---|---|--|------------------|
| | | | | | | Hexagon Reducer (in) | Model Number | Hexagon Reducer (in) | Model Number | Hexagon Reducer (in) | Model Number |
| W8000X | S (in) | H (in) | G (in) | | (lbs) | | | | | | |
| | 1 ⁷ / ₈ | 1.77 | 3.08 | W8114X | 17.97 | - | - | - | - | - | - |
| | 1 ¹⁵ / ₁₆ | 1.77 | 3.08 | W8115X | 17.89 | - | - | - | - | - | - |
| | 2 | 1.77 | 3.08 | W8200X | 17.75 | - | - | - | - | - | - |
| | 2 ¹ / ₁₆ | 1.89 | 3.15 | W8201X | 17.52 | - | - | - | - | - | - |
| | 2 ¹ / ₈ | 1.89 | 3.15 | W8202X | 17.36 | - | - | - | - | - | - |
| | 2 ³ / ₁₆ | 1.89 | 3.15 | W8203X | 17.22 | - | - | - | - | - | - |
| | 2 ¹ / ₄ | 2.01 | 3.25 | W8204X | 17.92 | - | - | - | - | - | - |
| | 2 ⁵ / ₁₆ | 2.01 | 3.25 | W8205X | 17.76 | - | - | - | - | - | - |
| | 2 ³ / ₈ | 2.01 | 3.25 | W8206X | 17.59 | - | - | - | - | - | - |
| | 2 ⁷ / ₁₆ | 2.07 | 3.38 | W8207X | 17.65 | - | - | - | - | - | - |
| | 2 ¹ / ₂ | 2.07 | 3.38 | W8208X | 17.52 | - | - | - | - | - | - |
| | 2 ⁹ / ₁₆ | 2.07 | 3.38 | W8209X | 17.29 | 2 ⁹ / ₁₆ - 2 | W8209R200 | - | - | - | - |
| | 2 ⁵ / ₈ | 2.20 | 3.34 | W8210X | 17.50 | - | - | - | - | - | - |
| | 2 ¹¹ / ₁₆ | 2.20 | 3.34 | W8211X | 17.36 | - | - | - | - | - | - |
| | 2 ³ / ₄ | 2.20 | 3.34 | W8212X | 17.12 | 2 ³ / ₄ - 2 ³ / ₁₆ | W8212R203 | - | - | - | - |
| | 2 ¹³ / ₁₆ | 2.28 | 3.35 | W8213X | 17.57 | - | - | - | - | - | - |
| | 2 ⁷ / ₈ | 2.28 | 3.35 | W8214X | 17.38 | - | - | - | - | - | - |
| | 2 ¹⁵ / ₁₆ | 2.28 | 3.35 | W8215X | 17.11 | 2 ¹⁵ / ₁₆ - 2 ³ / ₈ | W8215R206 | 2 ¹⁵ / ₁₆ - 2 ³ / ₈ | W8215R203 | - | - |
| | 3 | 2.38 | 3.52 | W8300X | 17.77 | - | - | - | - | - | - |
| | 3 ¹ / ₁₆ | 2.38 | 3.52 | W8301X | 17.65 | - | - | - | - | - | - |
| | 3 ¹ / ₈ | 2.38 | 3.52 | W8302X | 17.33 | 3 ¹ / ₈ - 2 ⁹ / ₁₆ | W8302R209 | 3 ¹ / ₈ - 2 ⁹ / ₁₆ | W8302R206 | 3 ¹ / ₈ - 2 ³ / ₁₆ | W8302R203 |
| | - | - | - | - | - | - | 3 ¹ / ₈ - 2 | W8302R200 | - | - | - |
| | 3 ³ / ₁₆ | 2.60 | 3.63 | W8303X | 18.99 | - | - | - | - | - | - |
| | 3 ¹ / ₄ | 2.60 | 3.63 | W8304X | 18.72 | - | - | - | - | - | - |
| | 3 ⁵ / ₁₆ | 2.60 | 3.63 | W8305X | 18.54 | - | - | - | - | - | - |
| | 3 ³ / ₈ | 2.60 | 3.63 | W8306X | 18.36 | - | - | - | - | - | - |
| | 3 ⁷ / ₁₆ | 2.60 | 3.63 | W8307IX | 18.11 | - | - | - | - | - | - |
| | 3 ¹ / ₂ | 2.60 | 3.63 | W8308X | 17.81 | 3 ¹ / ₂ - 3 | W8308R300 | 3 ¹ / ₂ - 2 ¹⁵ / ₁₆ | W8308R215 | 3 ¹ / ₂ - 2 ³ / ₄ | W8308R212 |
| | 3 ⁹ / ₁₆ | 2.91 | 4.05 | W8309X | 20.36 | - | - | - | - | - | - |
| | 3 ⁵ / ₈ | 2.91 | 4.05 | W8310X | 20.18 | - | - | - | - | - | - |
| | 3 ¹¹ / ₁₆ | 2.91 | 4.05 | W8311X | 19.93 | - | - | - | - | - | - |
| 3 ³ / ₄ | 2.91 | 4.05 | W8312X | 19.71 | 3 ³ / ₄ - 3 ¹ / ₈ | W8312R302 | 3 ³ / ₄ - 2 ¹⁵ / ₁₆ | W8312R215 | 3 ³ / ₄ - 2 ³ / ₄ | W8312R212 | |
| 3 ¹³ / ₁₆ | 2.91 | 4.05 | W8313X | 19.46 | - | - | - | - | - | - | |
| 3 ⁷ / ₈ | 2.91 | 4.05 | W8314X | 19.10 | 3 ⁷ / ₈ - 3 ¹ / ₈ | W8314R302 | 3 ⁷ / ₈ - 2 ¹⁵ / ₁₆ | W8314R215 | - | - | |
| 3 ¹⁵ / ₁₆ | 3.13 | 4.33 | W8315X | 20.31 | - | - | - | - | - | - | |
| 4 | 3.13 | 4.33 | W8400X | 20.04 | - | - | - | - | - | - | |
| 4 ¹ / ₁₆ | 3.13 | 4.33 | W8401IX | 19.80 | - | - | - | - | - | - | |
| 4 ¹ / ₈ | 3.13 | 4.33 | W8402X | 19.39 | - | - | - | - | - | - | |

W15000X, Inch-Cassettes & Reducer Inserts



Nominal Torque at 10,000 psi:

15,330 ft.lbs

Hexagon Range:

2⁷/₁₆ - 4⁵/₈ inches

Maximum Operating Pressure:

10,000 psi

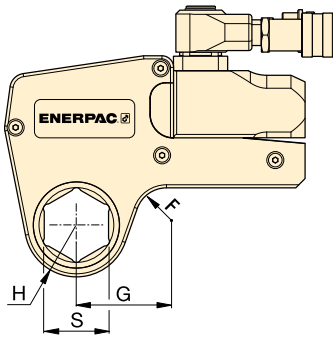
W
Series
(X-Edition)



▼ SELECTION CHART

| Drive Unit Model Number | Hexagon Size | Nose Radius | Dim. G | Model Number | Wt. (lbs) | Hexagon Reducer | | Hexagon Reducer | | Hexagon Reducer | | |
|-------------------------------|--------------------------------|---------------------------------|-----------|-----------------|--------------|---|---|---|---|---|---|------------|
| | | | | | | Hexagon Reducer (in) | Model Number | Hexagon Reducer (in) | Model Number | Hexagon Reducer (in) | Model Number | |
| W15000X | S | H | G | | | | | | | | | |
| | (in) | (in) | (in) | | | | | | | | | |
| | | | | | | | | | | | | |
| | | 2 ⁷ / ₁₆ | 2.32 | 3.49 | W15207X | 30.72 | - | - | - | - | - | - |
| | | 2 ¹ / ₂ | 2.32 | 3.49 | W15208X | 30.72 | - | - | - | - | - | - |
| | | 2 ⁹ / ₁₆ | 2.32 | 3.49 | W15209X | 30.72 | - | - | - | - | - | - |
| | | 2 ⁵ / ₈ | 2.32 | 3.49 | W15210X | 30.72 | - | - | - | - | - | - |
| | | 2 ¹¹ / ₁₆ | 2.32 | 3.49 | W15211X | 30.72 | - | - | - | - | - | - |
| | | 2 ³ / ₄ | 2.32 | 3.49 | W15212X | 30.72 | - | - | - | - | - | - |
| | | 2 ¹³ / ₁₆ | 2.44 | 3.56 | W15213X | 30.62 | - | - | - | - | - | - |
| | | 2 ⁷ / ₈ | 2.44 | 3.56 | W15214X | 30.39 | - | - | - | - | - | - |
| | | 2 ¹⁵ / ₁₆ | 2.44 | 3.56 | W15215X | 30.08 | - | - | - | - | - | - |
| | | 3 | 2.54 | 3.66 | W15300X | 30.86 | 3 - 2 ¹ / ₈ | W15300R202 | - | - | - | - |
| | | 3 ¹ / ₁₆ | 2.54 | 3.66 | W15301X | 30.71 | - | - | - | - | - | - |
| | | 3 ³ / ₈ | 2.54 | 3.66 | W15302X | 30.34 | 3 ¹ / ₈ - 2 ⁹ / ₁₆ | W15302R209 | - | - | - | - |
| | | 3 ³ / ₁₆ | 2.74 | 3.80 | W15303X | 32.38 | - | - | - | - | - | - |
| | | 3 ¹ / ₄ | 2.74 | 3.80 | W15304X | 32.07 | - | - | - | - | - | - |
| | | 3 ⁵ / ₁₆ | 2.74 | 3.80 | W15305X | 31.85 | - | - | - | - | - | - |
| | | 3 ³ / ₈ | 2.74 | 3.80 | W15306X | 31.63 | - | - | - | - | - | - |
| | | 3 ⁷ / ₁₆ | 2.74 | 3.80 | W15307IX | 31.32 | - | - | - | - | - | - |
| | | 3 ¹ / ₂ | 2.74 | 3.80 | W15308X | 30.98 | 3 ¹ / ₂ - 2 ¹⁵ / ₁₆ | W15308R215 | 3 ¹ / ₂ - 2 ³ / ₄ | W15308R212 | - | - |
| | | 3 ⁹ / ₁₆ | 2.95 | 4.01 | W15309X | 31.70 | - | - | - | - | - | - |
| | | 3 ⁵ / ₈ | 2.95 | 4.01 | W15310X | 31.70 | - | - | - | - | - | - |
| | | 3 ¹¹ / ₁₆ | 2.95 | 4.01 | W15311X | 31.70 | - | - | - | - | - | - |
| | | 3 ³ / ₄ | 2.95 | 4.01 | W15312X | 31.70 | 3 ³ / ₄ - 3 ¹ / ₈ | W15312R302 | 3 ³ / ₄ - 2 ¹⁵ / ₁₆ | W15312R215 | - | - |
| | | 3 ¹³ / ₁₆ | 2.95 | 4.01 | W15313X | 31.70 | - | - | - | - | - | - |
| | | 3 ⁷ / ₈ | 2.95 | 4.01 | W15314X | 31.70 | 3 ⁷ / ₈ - 3 ¹ / ₈ | W15314R302 | 3 ⁷ / ₈ - 2 ¹⁵ / ₁₆ | W15314R215 | - | - |
| | | 3 ¹⁵ / ₁₆ | 3.17 | 4.06 | W15315X | 34.02 | - | - | - | - | - | - |
| | | 4 | 3.17 | 4.06 | W15400X | 33.70 | - | - | - | - | - | - |
| | | 4 ¹ / ₁₆ | 3.17 | 4.06 | W15401IX | 33.41 | - | - | - | - | - | - |
| | | 4 ¹ / ₈ | 3.17 | 4.06 | W15402X | 33.09 | 4 ¹ / ₈ - 3 ¹ / ₂ | W15402R308 | 4 ¹ / ₈ - 3 ⁵ / ₁₆ | W15402R305 | 4 ¹ / ₈ - 3 ¹ / ₄ | W15402R304 |
| | | 4 ³ / ₁₆ | 3.17 | 4.06 | W15403IX | 32.81 | - | - | - | - | - | - |
| | 4 ¹ / ₄ | 3.17 | 4.06 | W15404X | 32.29 | 4 ¹ / ₄ - 3 ¹ / ₂ | W15404R308 | 4 ¹ / ₄ - 3 ¹ / ₈ | W15404R302 | - | - | |
| | 4 ⁵ / ₁₆ | 3.44 | 4.52 | W15405X | 35.61 | - | - | - | - | - | - | |
| | 4 ³ / ₈ | 3.44 | 4.52 | W15406X | 35.32 | - | - | - | - | - | - | |
| | 4 ⁷ / ₁₆ | 3.44 | 4.52 | W15407X | 34.99 | - | - | - | - | - | - | |
| | 4 ¹ / ₂ | 3.44 | 4.52 | W15408IX | 34.63 | - | - | - | - | - | - | |
| | 4 ⁹ / ₁₆ | 3.44 | 4.52 | W15409IX | 34.28 | - | - | - | - | - | - | |
| | 4 ⁵ / ₈ | 3.44 | 4.52 | W15410IX | 33.72 | 4 ⁵ / ₈ - 3 ¹⁵ / ₁₆ | W15410R315 | 4 ⁵ / ₈ - 3 ⁷ / ₈ | W15410R314 | 4 ⁵ / ₈ - 3 ³ / ₄ | W15410R312 | |
| | - | - | - | - | - | 4 ⁵ / ₈ - 3 ¹ / ₂ | W15410R308 | - | - | - | - | |

W22000X, Inch-Cassettes & Reducer Inserts **ENERPAC**



Nominal Torque at 10,000 psi:

22,500 ft.lbs

Hexagon Range:

2¹⁵/₁₆ - 5³/₈ inches




Maximum Operating Pressure:

10,000 psi

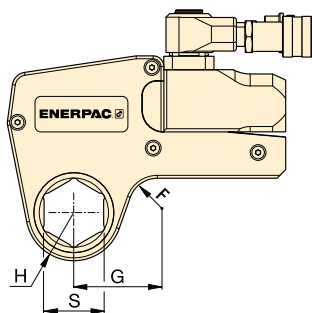
W
Series
(X-Edition)



▼ SELECTION CHART

| Drive Unit Model Number | Hexagon Size | Nose Radius | Dim. | Model Number | Wt. |  | |  | |  | |
|------------------------------------|-------------------------------------|-------------|----------------|-----------------|---|---|---|---|---|---|-------------------|
| | | | | | | Hexagon Reducer (in) | Model Number | Hexagon Reducer (in) | Model Number | Hexagon Reducer (in) | Model Number |
| W22000X | 2¹⁵/₁₆ | 2.64 | 4.02 | W22215X | 48.72 | - | - | - | - | - | - |
| | 3 | 2.64 | 4.02 | W22300X | 48.40 | - | - | - | - | - | - |
| | 3¹/₁₆ | 2.64 | 4.02 | W22301X | 48.22 | - | - | - | - | - | - |
| | 3¹/₈ | 2.64 | 4.02 | W22302X | 47.78 | 3 ¹ / ₈ - 2 ³ / ₈ | W22302R206 | 3 ¹ / ₈ - 2 ³ / ₁₆ | W22302R203 | - | - |
| | 3³/₁₆ | 2.85 | 4.23 | W22303X | 50.58 | - | - | - | - | - | - |
| | 3¹/₄ | 2.85 | 4.23 | W22304X | 50.19 | - | - | - | - | - | - |
| | 3⁵/₁₆ | 2.85 | 4.23 | W22305X | 49.92 | - | - | - | - | - | - |
| | 3³/₈ | 2.85 | 4.23 | W22306X | 49.66 | - | - | - | - | - | - |
| | 3⁷/₁₆ | 2.85 | 4.23 | W22307X | 50.29 | - | - | - | - | - | - |
| | 3¹/₂ | 2.85 | 4.23 | W22308X | 48.87 | 3 ¹ / ₂ - 2 ³ / ₄ | W22308R212 | 3 ¹ / ₂ - 2 ⁹ / ₁₆ | W22308R209 | 3 ¹ / ₂ - 2 ³ / ₈ | W22308R206 |
| | 3⁹/₁₆ | 3.07 | 4.45 | W22309X | 51.58 | - | - | - | - | - | - |
| | 3⁵/₈ | 3.07 | 4.45 | W22310X | 51.30 | - | - | - | - | - | - |
| | 3¹¹/₁₆ | 3.07 | 4.45 | W22311X | 50.93 | - | - | - | - | - | - |
| | 3³/₄ | 3.07 | 4.45 | W22312X | 50.62 | 3 ³ / ₄ - 2 ¹⁵ / ₁₆ | W22312R215 | - | - | - | - |
| | 3¹³/₁₆ | 3.07 | 4.45 | W22313X | 50.24 | - | - | - | - | - | - |
| | 3⁷/₈ | 3.07 | 4.45 | W22314X | 49.77 | 3 ⁷ / ₈ - 3 ¹ / ₈ | W22314R302 | 3 ⁷ / ₈ - 2 ¹⁵ / ₁₆ | W22314R215 | 3 ⁷ / ₈ - 2 ³ / ₄ | W22314R212 |
| | 3¹⁵/₁₆ | 3.35 | 4.72 | W22315X | 53.57 | - | - | - | - | - | - |
| | 4 | 3.35 | 4.72 | W22400X | 53.19 | - | - | - | - | - | - |
| | 4¹/₁₆ | 3.35 | 4.72 | W22401IX | 52.82 | - | - | - | - | - | - |
| | 4¹/₈ | 3.35 | 4.72 | W22402X | 52.43 | - | - | - | - | - | - |
| | 4³/₁₆ | 3.35 | 4.72 | W22403X | 52.09 | - | - | - | - | - | - |
| | 4¹/₄ | 3.35 | 4.72 | W22404X | 51.48 | 4 ¹ / ₄ - 3 ¹ / ₂ | W22404R308 | 4 ¹ / ₄ - 3 ¹ / ₈ | W22404R302 | 4 ¹ / ₄ - 2 ¹⁵ / ₁₆ | W22404R215 |
| | 4⁵/₁₆ | 3.54 | 4.92 | W22405X | 54.26 | - | - | - | - | - | - |
| | 4³/₈ | 3.54 | 4.92 | W22406X | 53.91 | - | - | - | - | - | - |
| | 4⁷/₁₆ | 3.54 | 4.92 | W22407X | 53.50 | - | - | - | - | - | - |
| | 4¹/₂ | 3.54 | 4.92 | W22408IX | 53.06 | - | - | - | - | - | - |
| | 4⁹/₁₆ | 3.54 | 4.92 | W22409X | 52.64 | - | - | - | - | - | - |
| | 4⁵/₈ | 3.54 | 4.92 | W22410IX | 51.99 | 4 ⁵ / ₈ - 3 ⁷ / ₈ | W22410R314 | 4 ⁵ / ₈ - 3 ³ / ₄ | W22410R312 | 4 ⁵ / ₈ - 3 ¹ / ₂ | W22410R308 |
| | 4³/₄ | 3.74 | 5.12 | W22412X | 54.54 | - | - | - | - | - | - |
| | 4⁷/₈ | 3.74 | 5.12 | W22414X | 53.60 | - | - | - | - | - | - |
| | 5 | 3.74 | 5.12 | W22500X | 52.37 | 5 - 4 ¹ / ₄ | W22500R404 | 5 - 4 ¹ / ₈ | W22500R402 | 5 - 3 ⁷ / ₈ | W22500R314 |
| | 5¹/₈ | 3.94 | 5.31 | W22502X | 55.10 | - | - | - | - | - | - |
| 5¹/₁₆ | 3.94 | 5.31 | W22503X | 54.71 | - | - | - | - | - | - | |
| 5¹/₄ | 3.94 | 5.31 | W22504X | 54.05 | - | - | - | - | - | - | |
| 5³/₈ | 3.94 | 5.31 | W22506X | 52.77 | 5 ³ / ₈ - 4 ⁵ / ₈ | W22506R410 | 5 ³ / ₈ - 4 ¹ / ₄ | W22506R404 | 5 ³ / ₈ - 4 ¹ / ₈ | W22506R402 | |
| - | - | - | W22506X | 52.77 | 5 ³ / ₈ - 3 ⁷ / ₈ | W22506R314 | - | - | - | - | |

W35000X, Inch-Cassettes & Reducer Inserts



▼ SELECTION CHART

| Drive Unit Model Number | Hexagon Size | Nose Radius | Dim. | Model Number | Wt. | Image | |
|-------------------------|--------------|-------------|----------------|-----------------|---------------|----------------------|-------------------|
| | | | | | | Hexagon Reducer (in) | Model Number |
| | S (in) | H (in) | G (in) | | (lbs) | | |
| W35000X | 3 1/8 | 3.02 | 4.99 | W35302X | 72.30 | 3 1/8 - 2 | W35302R200 |
| | 3 3/16 | 3.02 | 4.99 | W35303X | 72.10 | - | - |
| | 3 1/4 | 3.02 | 4.99 | W35304X | 71.70 | - | - |
| | 3 5/16 | 3.02 | 4.99 | W35305X | 71.40 | - | - |
| | 3 3/8 | 3.02 | 4.99 | W35306X | 71.00 | - | - |
| | 3 7/16 | 3.02 | 4.99 | W35307IX | 70.50 | - | - |
| | 3 1/2 | 3.02 | 4.99 | W35308X | 70.10 | 3 1/2 - 2 5/16 | W35308R205 |
| | 3 9/16 | 3.23 | 5.22 | W35309X | 71.40 | - | - |
| | 3 5/8 | 3.23 | 5.22 | W35310X | 73.40 | - | - |
| | 3 11/16 | 3.23 | 5.22 | W35311X | 73.00 | - | - |
| | 3 3/4 | 3.23 | 5.22 | W35312X | 72.50 | - | - |
| | 3 13/16 | 3.23 | 5.22 | W35313X | 72.10 | - | - |
| | 3 7/8 | 3.23 | 5.22 | W35314X | 71.40 | 3 7/8 - 2 11/16 | W35314R211 |
| | 3 15/16 | 3.45 | 5.39 | W35315X | 70.80 | 3 15/16 - 2 13/16 | W35315R213 |
| | 4 | 3.45 | 5.39 | W35400X | 74.70 | - | - |
| | 4 1/16 | 3.45 | 5.39 | W35401X | 74.30 | - | - |
| | 4 1/8 | 3.45 | 5.39 | W35402X | 73.90 | - | - |
| | 4 3/16 | 3.45 | 5.39 | W35403X | 73.40 | - | - |
| | 4 1/4 | 3.45 | 5.39 | W35404X | 72.80 | 4 1/4 - 3 11/16 | W35404R301 |
| | 4 5/16 | 3.69 | 5.63 | W35405X | 76.90 | - | - |
| | 4 3/8 | 3.69 | 5.63 | W35406X | 76.50 | - | - |
| | 4 7/16 | 3.69 | 5.63 | W35407X | 76.10 | - | - |
| | 4 1/2 | 3.69 | 5.63 | W35408X | 75.60 | - | - |
| | 4 9/16 | 3.69 | 5.63 | W35409IX | 75.20 | - | - |
| | 4 5/8 | 3.69 | 5.63 | W35410IX | 74.50 | 4 5/8 - 3 5/8 | W35410R310 |
| | 4 3/4 | 3.91 | 5.85 | W35412X | 78.50 | 4 3/4 - 3 3/4 | W35412R312 |
| | 4 7/8 | 3.91 | 5.85 | W35414X | 76.90 | - | - |
| | 5 | 3.91 | 5.85 | W35500X | 75.60 | 5 - 4 | W35500R400 |
| | 5 1/8 | 4.09 | 6.02 | W35502X | 78.90 | 5 1/8 - 4 1/8 | W35502R402 |
| | 5 1/16 | 4.09 | 6.02 | W35503X | 78.50 | - | - |
| | 5 1/4 | 4.09 | 6.02 | W35504X | 77.60 | - | - |
| | 5 3/8 | 4.09 | 6.02 | W35506X | 76.30 | 5 3/8 - 4 5/16 | W35506R405 |
| 5 1/2 | 4.31 | 6.24 | W35508X | 79.80 | - | - | |
| 5 9/16 | 4.31 | 6.24 | W35509X | 79.40 | - | - | |
| 5 5/8 | 4.31 | 6.24 | W35510X | 78.50 | - | - | |
| 5 3/4 | 4.31 | 6.24 | W35512X | 76.90 | 5 3/4 - 4 3/4 | W35512R412 | |
| 5 7/8 | 4.52 | 6.46 | W35514X | 80.90 | 5 7/8 - 4 7/8 | W35514R414 | |
| 6 | 4.52 | 6.46 | W35600X | 79.60 | - | - | |
| 6 1/8 | 4.52 | 6.46 | W35602X | 77.80 | 6 1/8 - 5 1/8 | W35602R502 | |

W Series (X-Edition)



Nominal Torque at 10,000 psi:

35,000 ft.lbs

Hexagon Range:

3 1/8 - 6 1/8 inches

Maximum Operating Pressure:

10,000 psi



Back-Up Spanners

Hands free tool to be used to stop back nut from turning during make up or break out.

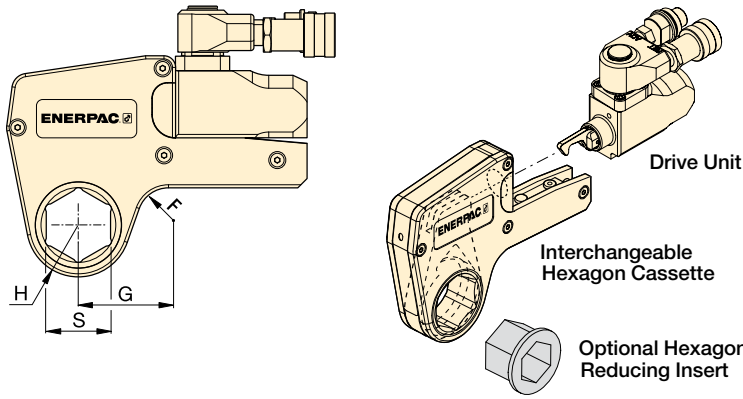
Page: 245



Hexagon Bolt and Nut Sizes

See the table of hexagon sizes of bolts, nuts and related thread diameters.

Page: 411



W Series (X-Edition)



Hexagon Range:
24 - 105 mm

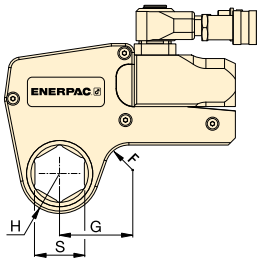
Maximum Operating Pressure:
10,000 psi (690 bar)

▼ SELECTION CHART

| Drive Unit Model Number | Hexagon Size* S (mm) | Nose Radius H (in) | Dim. G (in) | Model Number | Wt. (lbs) | Hexagon Reducer | | Hexagon Reducer | | Hexagon Reducer | | |
|-------------------------|-------------------------|-----------------------|----------------|----------------|--------------|----------------------|-------------------|----------------------|-------------------|----------------------|-------------------|---|
| | | | | | | Hexagon Reducer (mm) | Model Number | Hexagon Reducer (mm) | Model Number | Hexagon Reducer (mm) | Model Number | |
| W2000X | 30 | 1.22 | 2.11 | W2103X | 4.19 | - | - | - | - | - | - | |
| | 32 | 1.22 | 2.11 | W2104X | 4.19 | - | - | - | - | - | - | |
| | 36 | 1.22 | 2.11 | W2107X | 4.19 | - | - | - | - | - | - | |
| | 38 | 1.32 | 2.29 | W2108X | 4.51 | - | - | - | - | - | - | |
| | 41 | 1.32 | 2.29 | W2110X | 4.38 | 41 - 32 | W2110R104 | 41 - 30 | W2110R103 | 41 - 24 | W2110R024M | |
| | 46 | 1.44 | 2.38 | W2113X | 4.69 | 46 - 36 | W2113R107 | 46 - 32 | W2113R104 | - | - | |
| | 50 | 1.54 | 2.48 | W2200X | 4.54 | 50 - 41 | W2200R110 | 50 - 36 | W2200R107 | - | - | |
| | 55 | 1.65 | 2.70 | W2203X | 4.64 | 55 - 46 | W2203R113 | 55 - 41 | W2203R110 | 55 - 36 | W2203R107 | |
| | 60 | 1.75 | 2.55 | W2206X | 4.72 | 60 - 50 | W2206R200 | 60 - 46 | W2206R113 | 60 - 41 | W2206R110 | |
| - | - | - | - | - | - | 60 - 36 | W2206R107 | - | - | - | - | |
| W4000X | 36 | 1.46 | 2.40 | W4107X | 7.72 | - | - | - | - | - | - | |
| | 41 | 1.46 | 2.40 | W4110X | 7.72 | - | - | - | - | - | - | |
| | 46 | 1.56 | 2.52 | W4113X | 7.94 | - | - | - | - | - | - | |
| | 50 | 1.63 | 2.63 | W4200X | 8.28 | 50 - 36 | W4200R107 | - | - | - | - | |
| | 55 | 1.73 | 2.89 | W4203X | 8.42 | 55 - 41 | W4203R110 | 55 - 36 | W4203R107 | 55 - 32 | W4203R104 | |
| | 60 | 1.83 | 2.78 | W4206X | 8.47 | 60 - 50 | W4206R200 | 60 - 46 | W4206R113 | 60 - 36 | W4206R107 | |
| | 65 | 1.95 | 3.00 | W4209X | 8.67 | 65 - 55 | W4209R203 | 65 - 50 | W4209R200 | 65 - 46 | W4209R113 | |
| | 70 | 2.07 | 3.08 | W4212X | 8.84 | 70 - 60 | W4212R206 | 70 - 55 | W4212R203 | - | - | |
| | 75 | 2.18 | 3.21 | W4215X | 8.96 | 75 - 65 | W4215R209 | 75 - 60 | W4215R206 | - | - | |
| | - | - | - | - | - | - | 75 - 55 | W4215R203 | 75 - 50 | W4215R200 | - | - |
| | 80 | 2.30 | 3.29 | W4302X | 9.16 | 80 - 75 | W4302R215 | 80 - 70 | W4302R212 | 80 - 65 | W4302R209 | |
| | - | - | - | - | - | - | 80 - 55 | W4302R203 | 80 - 50 | W4302R200 | - | - |
| W8000X | 50 | 1.77 | 3.08 | W8200X | 17.75 | - | - | - | - | - | - | |
| | 55 | 1.89 | 3.15 | W8203X | 17.22 | - | - | - | - | - | - | |
| | 60 | 2.01 | 3.25 | W8206X | 17.59 | - | - | - | - | - | - | |
| | 65 | 2.07 | 3.38 | W8209X | 17.29 | 65 - 50 | W8209R200 | - | - | - | - | |
| | 70 | 2.07 | 3.34 | W8212X | 17.12 | 70 - 55 | W8212R203 | - | - | - | - | |
| | 75 | 2.28 | 3.35 | W8215X | 17.11 | 75 - 60 | W8215R206 | 75 - 55 | W8215R203 | - | - | |
| | 80 | 2.38 | 3.52 | W8302X | 17.33 | 80 - 65 | W8302R209 | 80 - 60 | W8302R206 | 80 - 55 | W8302R203 | |
| | - | - | - | - | - | - | 80 - 50 | W8302R200 | - | - | - | |
| | 85 | 2.60 | 3.63 | W8085MX | 18.42 | 85 - 70 | W8085R070M | 85 - 65 | W8085R065M | 85 - 60 | W8085R060M | |
| | - | - | - | - | - | - | 85 - 55 | W8085R055M | - | - | - | |
| | 90 | 2.91 | 4.05 | W8090MX | 20.46 | 90 - 75 | W8090R075M | - | - | - | - | |
| | 95 | 2.91 | 4.05 | W8312X | 19.71 | 95 - 80 | W8312R302 | 95 - 75 | W8312R215 | - | - | |
| | 100 | 3.13 | 4.33 | W8315X | 20.31 | - | - | - | - | - | - | |
| 105 | 3.13 | 4.33 | W8402X | 19.39 | - | - | - | - | - | - | | |

* See page 411 for table of hexagon sizes of bolts, nuts and related thread diameters.

W-Series, Metric Cassettes and Reducer Inserts



Hexagon Range:
50 - 155 mm

Maximum Operating Pressure:
10,000 psi (690 bar)

W
Series
(X-Edition)



▼ SELECTION CHART

| Drive Unit Model Number | Hexagon Size | Nose Radius | Dim. | Model Number | Wt. | Hexagon Reducer | | Hexagon Reducer | |
|-------------------------------|-----------------|----------------|----------|-----------------|---------|----------------------------|-----------------|----------------------------|-----------------|
| | | | | | | Hexagon Reducer (mm) | Model Number | Hexagon Reducer (mm) | Model Number |
| W15000X | S (mm) | H (in) | G (in) | | (lbs) | | | | |
| | 65 | 2.32 | 3.49 | W15209X | 30.72 | - | - | - | - |
| | 70 | 2.32 | 3.49 | W15212X | 30.72 | - | - | - | - |
| | 75 | 2.44 | 3.56 | W15215X | 30.08 | - | - | - | - |
| | 80 | 2.54 | 3.66 | W15302X | 30.34 | 80-65 | W15302R209 | - | - |
| | 85 | 2.74 | 3.80 | W15085MX | 31.70 | 85-70 | W15085R070M | - | - |
| | 90 | 2.95 | 4.01 | W15090MX | 33.32 | 90-75 | W15090R075M | - | - |
| | 95 | 2.95 | 4.01 | W15312X | 31.70 | 95-80 | W15312R302 | 95 - 75 | W15312R215 |
| | 100 | 3.17 | 4.06 | W15315X | 34.02 | - | - | - | - |
| | 105 | 3.17 | 4.06 | W15402X | 33.09 | 105-90 | W15402R090M | - | - |
| | 110 | 3.44 | 4.52 | W15405X | 35.61 | 110-95 | W15110R095M | - | - |
| 115 | 3.44 | 4.52 | W15115MX | 34.48 | 115-100 | W15115R100M | - | - | |
| W22000X | 75 | 2.64 | 4.02 | W22215X | 48.72 | - | - | - | - |
| | 80 | 2.64 | 4.02 | W22302X | 47.78 | 80-60 | W22302R206 | 80 - 55 | W22302R203 |
| | 85 | 2.85 | 4.23 | W22085MX | 49.74 | 85-65 | W22085MR209 | 85 - 60 | W22085MR206 |
| | 90 | 3.07 | 4.45 | W22090MX | 51.72 | 90-70 | W22090M212 | 90 - 60 | W22090MR206 |
| | 95 | 3.07 | 4.45 | W22312X | 50.62 | 95-75 | W22312R215 | - | - |
| | 100 | 3.35 | 4.72 | W22315X | 53.57 | - | - | - | - |
| | 105 | 3.35 | 4.72 | W22402X | 52.09 | - | - | - | - |
| | 110 | 3.54 | 4.92 | W22404X | 51.48 | - | - | - | - |
| | 115 | 3.54 | 4.92 | W22115MX | 52.88 | - | - | - | - |
| | 120 | 3.74 | 5.12 | W22412X | 54.54 | - | - | - | - |
| | 123 | 3.74 | 5.12 | W22123MX | 53.80 | - | - | - | - |
| 130 | 3.94 | 5.31 | W22502X | 55.10 | - | - | - | - | |
| 135 | 3.94 | 5.31 | W22506X | 52.77 | 135-105 | W22506R402 | - | - | |
| W35000X | 80 | 3.02 | 5.08 | W35302X | 72.30 | 80-50 | W35302R200 | - | - |
| | 85 | 3.02 | 5.08 | W35085MX | 33.10 | - | - | - | - |
| | 90 | 3.23 | 5.33 | W35090MX | 34.30 | 90-60 | W35090R206 | - | - |
| | 95 | 3.23 | 5.30 | W35312X | 72.50 | - | - | - | - |
| | 100 | 3.45 | 5.48 | W35315X | 70.80 | - | - | - | - |
| | 105 | 3.45 | 5.48 | W35402X | 73.90 | - | - | - | - |
| | 110 | 3.69 | 5.75 | W35405X | 76.90 | 110-85 | W35405R085M | - | - |
| | 115 | 3.69 | 5.75 | W35115MX | 77.10 | - | - | - | - |
| | 120 | 3.91 | 6.01 | W35412X | 78.50 | 120-95 | W35412R312 | - | - |
| | 123 | 3.91 | 6.01 | W35123MX | 78.90 | - | - | - | - |
| | 130 | 4.09 | 6.30 | W35502X | 78.90 | 130-105 | W35502R402 | - | - |
| | 135 | 4.09 | 6.30 | W35506X | 76.30 | 135-110 | W35506R405 | - | - |
| | 140 | 4.31 | 6.43 | W35508X | 79.80 | 140-115 | W35508R115M | - | - |
| | 145 | 4.31 | 6.43 | W35512X | 76.90 | 145-120 | W35512R412 | - | - |
| | 150 | 4.52 | 6.67 | W35514X | 80.90 | - | - | - | - |
| 151 | 4.52 | 6.67 | W35151MX | 82.10 | - | - | - | - | |
| 155 | 4.52 | 6.67 | W35602X | 77.80 | 155-130 | W35602R502 | - | - | |

▼ Shown: W4206SL stepped-width cassette with W4000X drive unit



Your Easy and Long-Lasting Solution to Difficult Access Bolting Applications



Designed for Tight Spots
Stepped width design provides easy access in confined areas. UltraSlim cassettes fit where standard solutions won't.

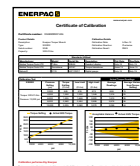


Built to Outperform
High endurance components keep working when others fail.



Top Mounted Handles
Standard top mounted handles provide safety and versatility; optional angled handles are also available.

| | |
|-------------------------------|--------------|
| Replacement handle (straight) | SWH6S |
| Angled handle (optional) | SWH6A |



Calibration Certificate
All UltraSlim Series cassettes are CE - ATEX certified, factory calibrated and are shipped complete with a calibration certificate.

CE II 2 GD T4
CSA/SIRA 15XT072

Versatility

- Lean, stepped width design allows tool to be mounted over bolts where other tools won't fit
- Bi-Hexagonal cassette allows twice as many positioning points on nut or bolt
- Uses same drive unit as standard W-series hexagon cassettes
- Robust top mounted handle stays out of the way, providing safe fastening in hard to reach areas

Performance

- Premium components provide best-in-class endurance

Ease of Use

- Few moving parts are easily accessible for quick field maintenance
- Fast release drive unit enables rapid exchange of cassettes, no tools required and no pins to lose
- Uses same drive unit as standard and X-Edition cassettes

Accuracy

- Constant torque output provides accuracy of +/- 3% across the full stroke

Slim enough to fit and tough enough to last. This UltraSlim wrench is the perfect controlled bolting solution for this oil and gas flange. ►



UltraSlim Stepped-Width Cassettes

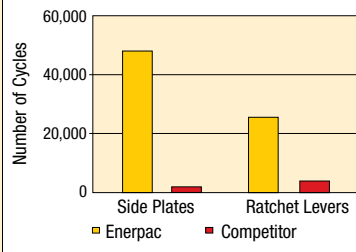


UltraSlim Stepped-Width Cassettes

Accessing narrow spaces normally requires significantly reducing the width of the torque wrench. For the tool operator, this has always meant vastly reduced tool durability, and/or reduced torque output.

By using the highest-grade materials, perfecting the geometry, and placing the positioning handle on top of the tool, Enerpac UltraSlim cassettes are able to provide greater torque, get into tighter spaces, and vastly outperform the competition in product durability.*

Durability of Key Components*



*Average test results, whereby three Enerpac 1³/₁₆" UltraSlim cassettes and three competitor 1³/₁₆" cassettes were tested at 4000 ft-lbs for 50,000 cycles. The Enerpac side plates never broke for the full duration of the test.

W-SL Series Ultra-Slim



Nominal Torque at 10,000 psi:

4360 Ft.lbs.

Hexagon Range:

1¹³/₁₆ - 2¹⁵/₁₆ inches

Maximum Operating Pressure:

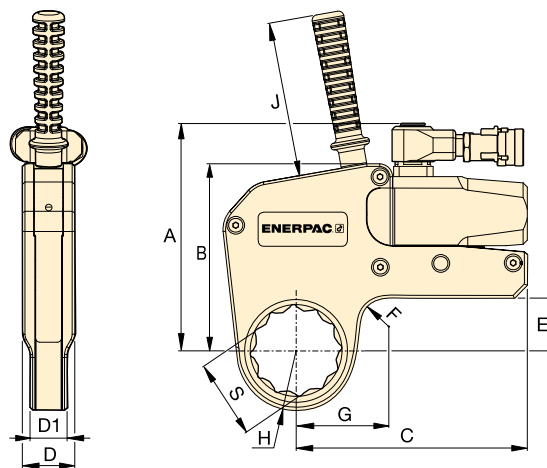
10,000 psi



Torque Wrench Pumps

Visit enerpac.com for system matched air and electric torque wrench pumps that are ideal for use with hydraulic torque wrenches.

Page: 291



Torque Wrench Hoses

Use Enerpac THQ-Series hoses with W-Series torque wrenches to ensure the integrity of your hydraulic system.

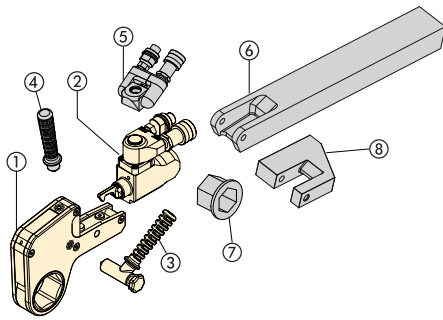
| 10,000 psi | |
|-------------------------|----------------|
| 6 feet long, 2 hoses | THQ702T |
| 19.5 feet long, 2 hoses | THQ706T |
| 39 feet long, 2 hoses | THQ712T |

SELECTION CHART

| Hexagon Size | Nominal Torque @ 10,000 psi | Cassette Model Number * | Minimum Torque @ 1000 psi | Nose Radius | Dimensions (in) | | | | | | | | | Weight (lbs) | Drive Unit Model ** (sold separately) |
|---------------------------------|-----------------------------|-------------------------|---------------------------|-------------|-----------------|------|------|------|------|------|------|------|------|--------------|---------------------------------------|
| | | | | | S | H | G | A | B | C | D | D1 | E | | |
| 1 ¹³ / ₁₆ | 46 | 1980 | 200 | 1.44 | 2.35 | 5.54 | 4.30 | 5.81 | 1.28 | 1.00 | 0.94 | 0.79 | 4.72 | 4.87 | W2000X |
| 2 | 50 | 1980 | 200 | 1.52 | 2.40 | | | | | | | | | 4.87 | |
| 2 ³ / ₁₆ | 55 | 1980 | 200 | 1.63 | 2.49 | | | | | | | | | 4.87 | |
| 2 ³ / ₈ | 60 | 1980 | 200 | 1.75 | 2.56 | | | | | | | | | 4.88 | |
| 1 ¹³ / ₁₆ | 46 | 4360 | 430 | 1.56 | 2.65 | 6.91 | 5.69 | 7.03 | 1.59 | 1.13 | 1.61 | 0.79 | 4.72 | 10.15 | W4000X |
| 2 ³ / ₁₆ | 55 | 4360 | 430 | 1.73 | 2.70 | | | | | | | | | 10.15 | |
| 2 ³ / ₈ | 60 | 4360 | 430 | 1.89 | 2.82 | | | | | | | | | 10.36 | |
| 2 ⁹ / ₁₆ | 65 | 4360 | 430 | 1.99 | 2.92 | | | | | | | | | 10.37 | |
| 2 ³ / ₄ | 70 | 4360 | 430 | 2.11 | 2.98 | | | | | | | | | 10.42 | |
| 2 ¹⁵ / ₁₆ | 75 | 4360 | 430 | 2.20 | 2.99 | | | | | | | | | 10.37 | |

* Bi-Hexagonal Cassette includes top mounted straight handle.

** May also be used with **W2000PX** and **W4000PX** drive units, featuring double-swivel manifolds.

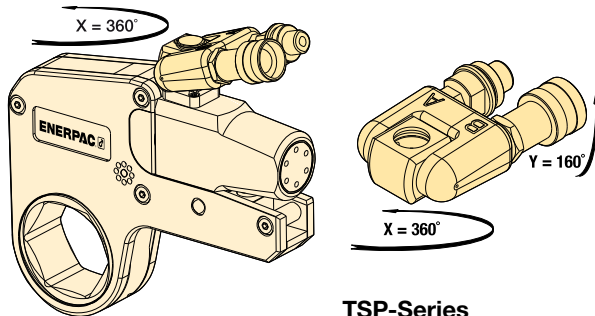


- ① Hexagon Cassette
- ② Drive Unit
- ③ Angled Positioning Handle
- ④ Straight Positioning Handle (optional)
- ⑤ Pro Series Swivel (optional)
- ⑥ Extended Reaction Arm (optional)
- ⑦ Reducer Insert (optional)
- ⑧ Reaction Paddle (optional)

TSP WTE WRP Series



TSP-Series, Pro Series Swivels



TSP-Series

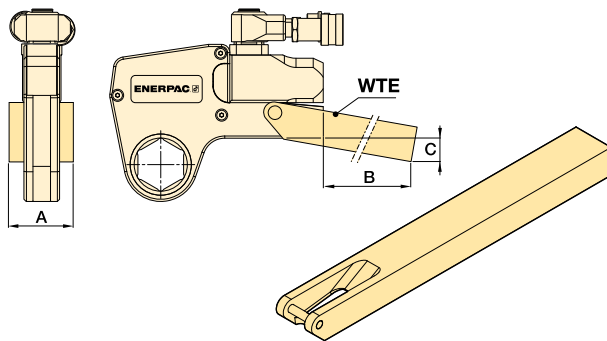
- Robust interlocking design
- 360° X-axis and 160° Y-axis rotation
- Increases tool fit in restricted access areas
- Simplifies hose placement
- Includes male and female couplers

| Torque Wrench Model Number | Model Number | Maximum Pressure (psi) | Wt. (lbs) |
|---|--------------|------------------------|-----------|
| W2000X, W4000X, W8000X, W15000X, W22000X, W35000X | TSP300* | 10,000 | 0.44 |

Note: To order a W-series (X-Edition) wrench fitted with the TSP swivel, insert a "P" prior to the "X" in the tool designation, e.g., W2000PX.

* TSP300 is designed for X-Edition tools only, and is not compatible with standard edition tools. For replacement components for existing tools, refer to repair sheet on www.enerpac.com

WTE-Series, Extended Reaction Arm



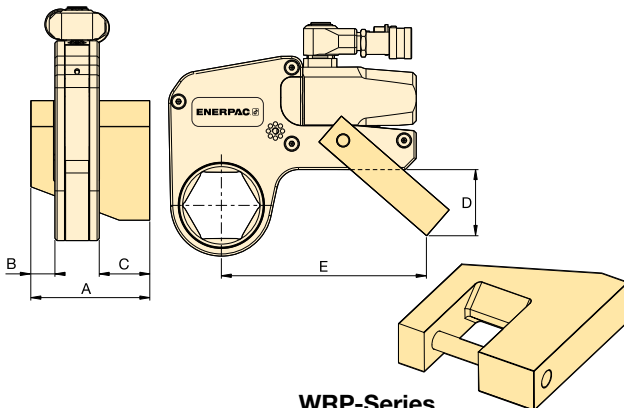
WTE-Series

- Full torque rated
- Increases tool fit in restricted access areas

| Torque Wrench Model Number | Model Number | Dimensions (in) | | | Wt.* (lbs) |
|----------------------------|--------------|-----------------|-------|------|------------|
| | | A | B | C | |
| W2000X | WTE20 | 2.20 | 15.67 | 2.66 | 5.73 |
| W4000X | WTE40 | 2.60 | 17.17 | 2.91 | 10.14 |
| W8000X | WTE80 | 3.35 | 17.68 | 2.15 | 16.76 |
| W15000X | WTE150 | 4.02 | 19.61 | 2.83 | 26.46 |
| W22000X | WTE220 | 4.49 | 20.51 | 3.03 | 38.14 |
| W35000X | WTE350 | 5.00 | 16.48 | 5.23 | 39.24 |

* Weights indicated are for the accessories only and do not include the wrench.

WRP-Series Reaction Paddles



WRP-Series

- Lightweight interchangeable design
- Allows for offset reaction when in-line reaction is not available

| Torque Wrench Model Number | Model Number | Dimensions (in) | | | | | Wt.* (lbs) |
|----------------------------|--------------|-----------------|------|------|------|-------|------------|
| | | A | B | C | D | E | |
| W2000X | WRP20 | 3.31 | 0.63 | 1.40 | 1.77 | 5.83 | 0.88 |
| W4000X | WRP40 | 4.29 | 0.83 | 1.87 | 2.32 | 7.48 | 1.76 |
| W8000X | WRP80 | 5.37 | 1.02 | 2.25 | 2.72 | 8.78 | 4.41 |
| W15000X | WRP150 | 6.50 | 1.26 | 2.74 | 3.43 | 10.12 | 8.60 |
| W22000X | WRP220 | 8.15 | 1.52 | 3.58 | 5.28 | 12.48 | 15.87 |
| W35000X | WRP350 | 9.22 | 1.79 | 3.58 | 7.17 | 13.98 | 23.37 |

* Weights indicated are for the accessories only and do not include the wrench.

ENERPAC professional series steel torque wrenches provide reliable controlled tightening solutions across many industries.

S3000X Square Drive Torque Wrench on Wind Turbine Assembly and Maintenance

S3000X used to connect wind turbine segments during assembly and maintenance. A robust but compact solution is required for bolt tightening on wind tower sections. Large numbers of fasteners require precise application of torque to ensure joint integrity is achieved and maintained.

The Enerpac S-Series wrench offers simple and reliable operation while providing accurate and repeatable results.



W4000X Low-Profile Torque Wrench on an API Pipe Flange

Throughout the Oil and Gas, Petrochemical and Processing Industries, pipeline joints, valves, pumps and machinery present challenges for controlled bolting.

The restricted access on this flange was easily overcome with an Enerpac W-Series Torque Wrench. The W Wrenches offer reliability and control, ensuring even and consistent torque is applied to all bolts.

S3000X on an Oil and Gas Flange

During maintenance, quick turnaround times are essential; S-Series wrenches provide a large angle of nut rotation per stroke, offering speed and accuracy in a compact ergonomic tool.

