

DIGITAL  
PROJECTOR

# W770ST

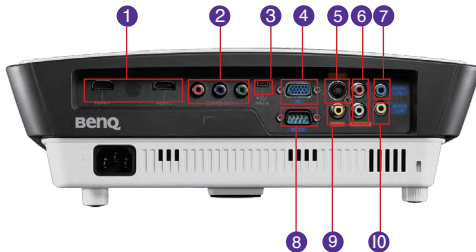


## Features

- Native 720p (1280 x 720) Resolution
- 2,500 ANSI Lumens
- 13,000:1 Contrast Ratio
- SmartEco™ Power Saving Technology
- Blu-ray Full HD 3D Support



## Input and Output Terminals



- |                              |                          |
|------------------------------|--------------------------|
| 1 HDMI                       | 6 Audio L/R in (RCA)     |
| 2 Composite Video In (RCA)   | 7 Audio in (Mini Jack)   |
| 3 USB (Type Mini B)          | 8 RS232 (DB-9pin)        |
| 4 Computer in (D-sub 15pin)  | 9 Component Video in     |
| 5 S-Video In (Mini DIN 4pin) | 10 Audio out (Mini Jack) |

## Specifications

Projection System	0.62" DC3 DLP® DMD	
Native Resolution	720p (1280 x 720)	
Brightness	2,500AL	
Contrast Ratio	13,000:1	
Display Color	1.07 Billion Colors	
Lens	F=2.6-2.78, f=10.2-12.24mm	
Aspect Ratio	Native 16:9 (5 aspect ratio selectable)	
Throw Ratio	0.72-0.87 (62.5"@1M )	
Image Size (Diagonal)	36"-300"	
Zoom Ratio	1.2:1	
Lamp Type	210W	
Lamp Life	4,000/5,000/6,500 hours	
Keystone Adjustment	1D, Vertical +/- 40 degrees	
Projection Offset	115% ±5%	
Resolution Support	Up to UXGA(1600 x 1200)	
Horizontal Frequency	15K~102KHz	
Vertical Scan Rate	23~120Hz	
Compatibility	HDTV Compatibility: 480i, 480p, 576i, 576p, 720p, 1080i, 1080p Video Compatibility: NTSC, PAL, SECAM, SDTV	
Interface	Computer in (D-sub 15pin)	x 1
	HDMI	x 2
	Composite Video in (RCA)	x 1
	S-Video in (Mini DIN 4pin)	x 1
	Component Video in	x 1
	Audio in (Mini Jack)	x 1
	Audio L/R in (RCA)	x 1
	Audio out (Mini Jack)	x 1
	Speaker	10W x 1
	USB (Type mini B)	x 1
	RS232 (DB-9pin)	x 1
	IR Receiver	x 2
Dimensions (WxHxD)	12.7" x 4.5" x 10.0" (324.7 x 113.8 x 253.4 mm)	
Weight	5.9 lbs (2.7 kg)	
Power Supply	AC 100 to 240 V, 50/60 Hz	
Power Consumption	275W (typical), Standby< 0.5W	
Audible Noise	34/30 dBA (Normal/Economic mode)	
On-Screen Display Languages	Arabic/Bulgarian/ Croatian/ Czech/ Danish/ Dutch/ English/ Finnish/ French/ German/ Greek/ Hindi/ Hungarian/ Italian/ Indonesian/ Japanese/ Korean/ Norwegian/ Polish/ Portuguese/ Romanian/ Russian/ Simplified Chinese/Spanish/ Swedish/ Turkish/ Thai/ Traditional Chinese (28 Languages)	
Picture Modes	Dynamic/Standard/Cinema/3D/User 1/User 2/User 3	
Accessories (Standard)	Carry Bag, Remote Control w/ Battery, Power Cord, User Manual CD, Quick Start Guide, Warranty Card, VGA (D-sub 15pin) Cable	
Accessories (Optional)	Spare Lamp Kit	P/N: 5J.J7K05.001
	Ceiling Mount	P/N: 5J.J4N10.001
	3D Glasses	P/N: 5J.J7K25.001
UPC / Part #	8400460-2793-3 / 9HJ8477.17A	
Limited Warranty	1-Year Parts & Labor / 180 days or 500 hours of lamp life	

\*Lamp life results will vary depending on environmental conditions and usage. Actual product's features and specifications are subject to change without notice.



W770ST 05-07-13-BQus



BenQ America Corp.  
15375 Barranca Parkway, Suite A-205, Irvine, CA 92618 ☎ Tel: (949) 255-9500 🌐 www.BenQ.us

BenQ is a registered trademark of BenQ Corp. DLP is a registered trademark of Texas Instruments. All rights reserved.  
Product names, logos, brands, and other trademarks featured or referred to in this materials are the property of their respective trademark holders.  
Specifications subject to change without notice.



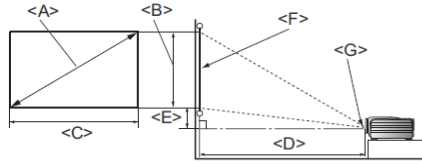
Enjoyment Matters

# W770ST Digital Projector

## Distance Chart

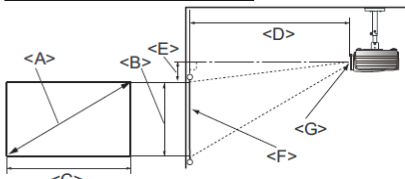
Installation for a 16:9 ratio screen

### Floor Installation



<F>: Screen      <G>: Center of lens

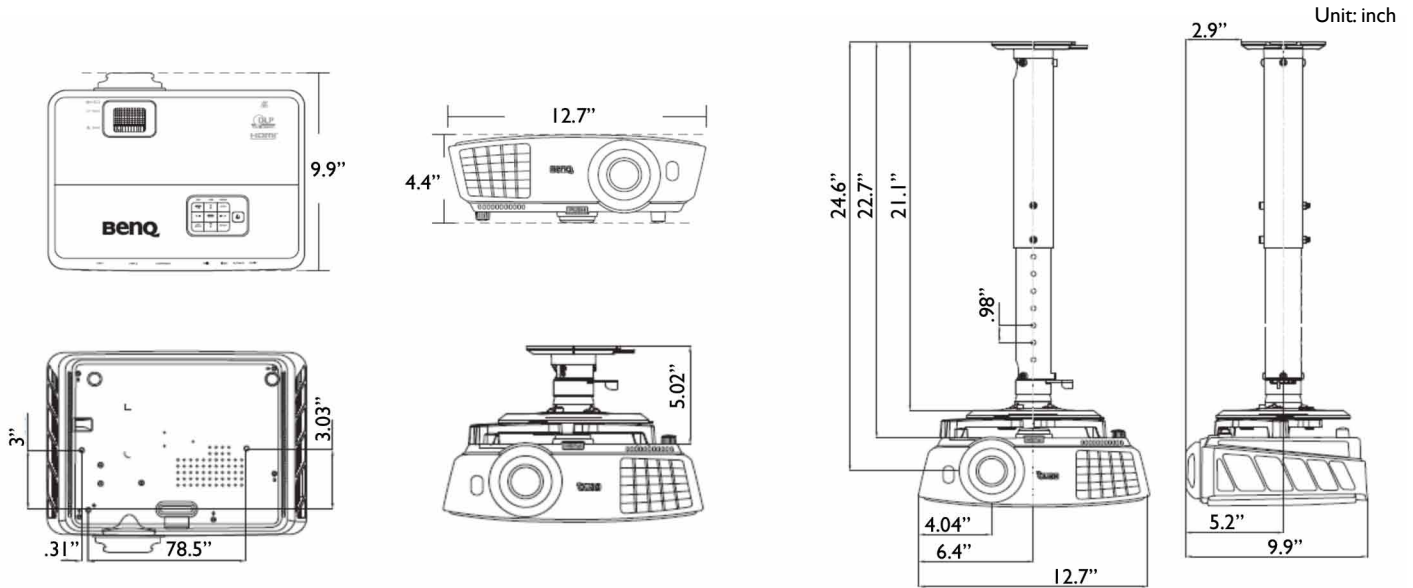
### Ceiling Installation



<F>: Screen      <G>: Center of lens

Screen Dimensions				Projection Distance <D> (inch)			Vertical offset <E> (inch)
Diagonal <A>		Height <B> (inch)	Width <C> (inch)	Min Distance (with max zoom)	Average	Max Distance (with min zoom)	
40	1016	20	34	25.1	27.7	30.2	1.4
50	1270	24	44	31.4	34.6	37.7	1.8
60	1524	29	52	37.7	41.5	45.3	2.2
70	1778	34	61	44.1	48.5	52.9	2.5
80	2032	38	70	50.3	55.4	60.4	2.9
90	2286	44	78	56.6	62.3	68.0	3.3
100	2540	49	87	62.9	69.2	75.5	3.6
110	2794	54	96	69.2	76.2	83.1	4.0
120	3048	59	104	75.5	83.1	90.7	4.4
130	3302	64	113	81.8	90.0	98.2	4.7
140	3556	68	122	88.1	97.0	105.8	5.1
150	3810	73	130	94.4	103.9	113.3	5.5
160	4064	78	139	100.7	110.8	120.9	5.8
170	4318	83	148	107.0	117.7	128.5	6.2
180	4572	88	156	113.3	124.7	136.1	6.6
190	4826	93	165	119.6	131.6	143.6	6.9
200	5080	98	174	125.9	138.5	151.1	7.3
250	6350	122	218	157.4	173.2	188.9	9.2
300	7620	147	261	188.9	207.8	226.7	11.0

## Wall Mount Chart



## Dimensions



Unit: inch

# Touchboards

205 Westwood Ave, Long Branch, NJ 07740  
 Phone: 866-94 BOARDS (26273) / (732)-222-1511  
 Fax: (732)-222-7088 | E-mail: sales@touchboards.com

