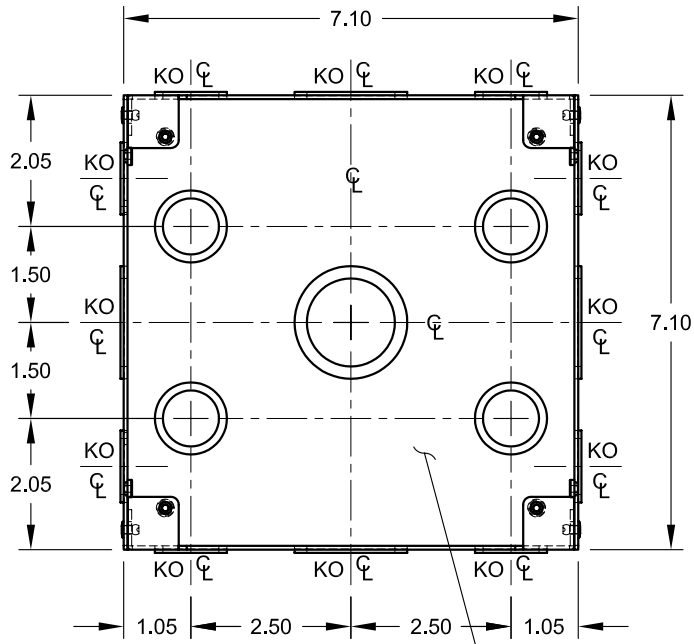
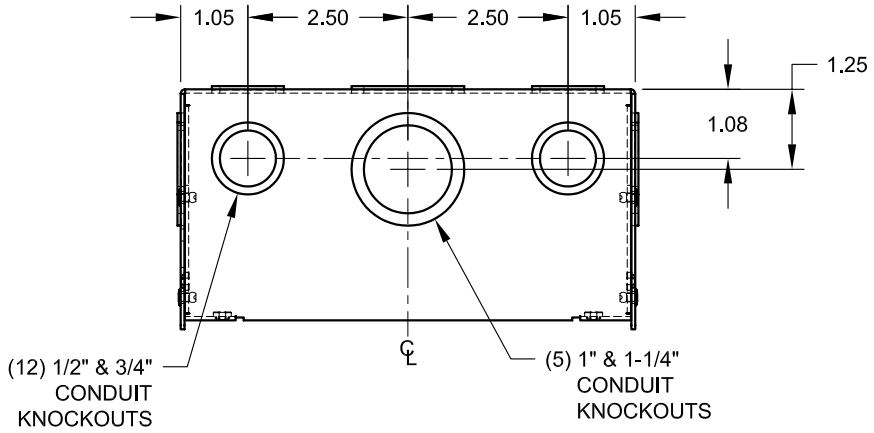


4

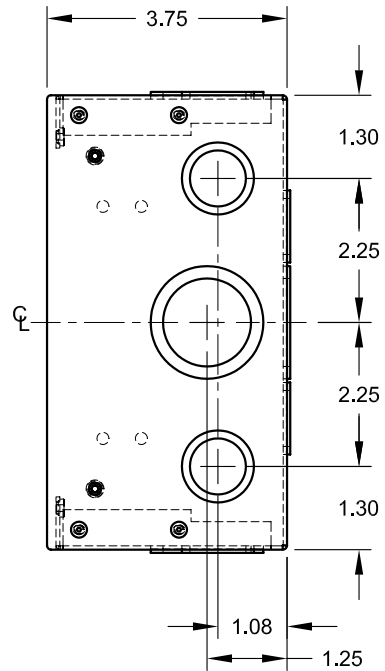
3

2

1



INTERNAL VOLUME:
176.9 cu.in.



C

C

B

B

A

A

4

3

2

1

FSR inc.
244 BERGEN BLVD.
WOODLAND PARK, NJ 07424
TEL. (973) 785-4347
FAX (973) 785-3318

TITLE:			WB-3G-4		
DRAWN BY: JRE	DATE: 12/16/09	REV: -			
DWG#: WB-3G-4	PAGE: 1 OF 1	SCALE: 1:3			