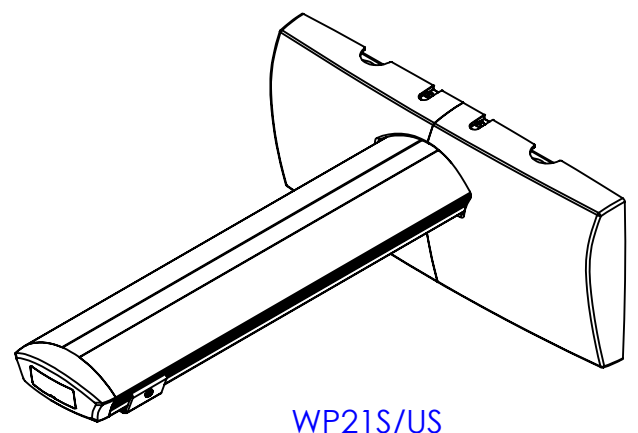


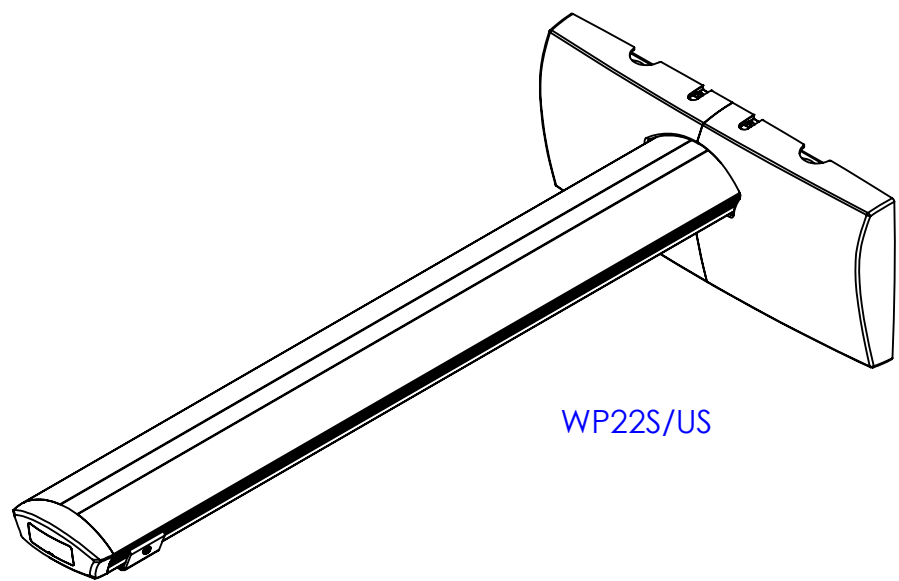
	DIMENSION A	DIMENSION B MIN	DIENSION B MAX	WEIGHT CAPACITY
WP21S/US	24.36 [618.8]	3.62 [92.0]	22.12 [561.9]	25 LBS
WP22S/US	40.36 [1025.2]	3.62 [92.0]	38.12 [968.3]	25 LBS
WP23S/US	56.36 [1431.6]	3.62 [92.0]	54.12 [1374.7]	25 LBS

STATUS: MM 03/19/2015 - RELEASED ON ECO: 500011588

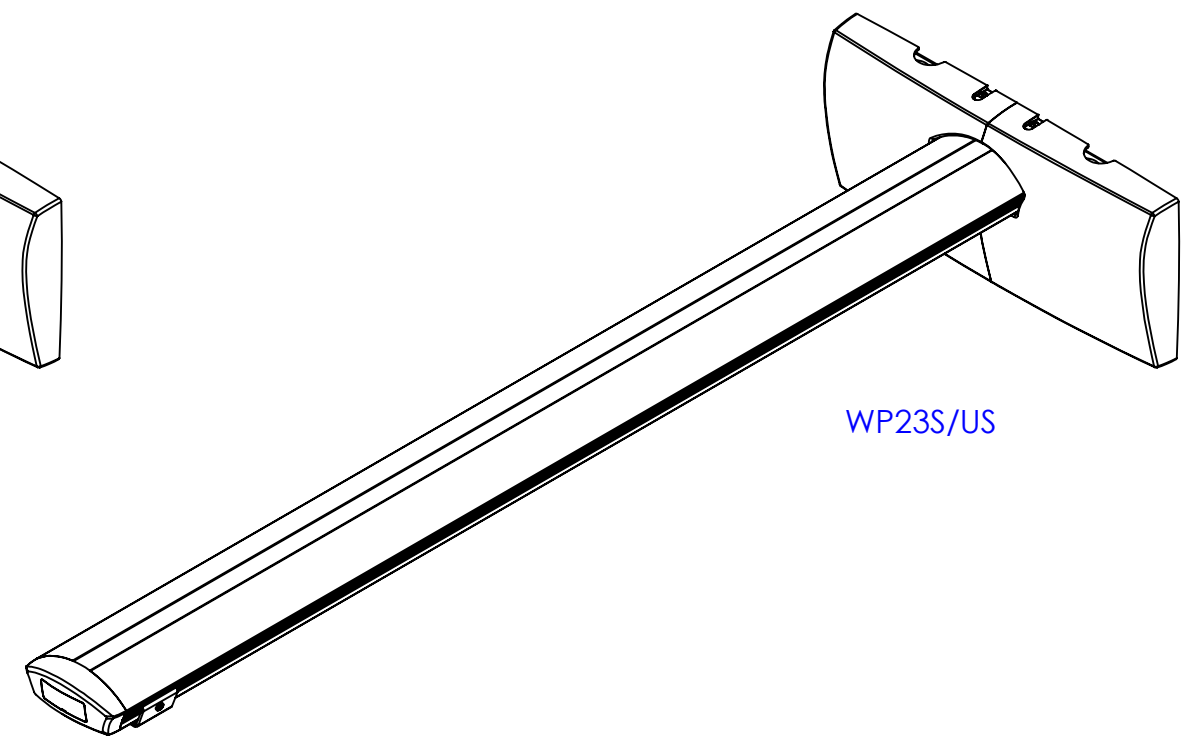
TECH-000016



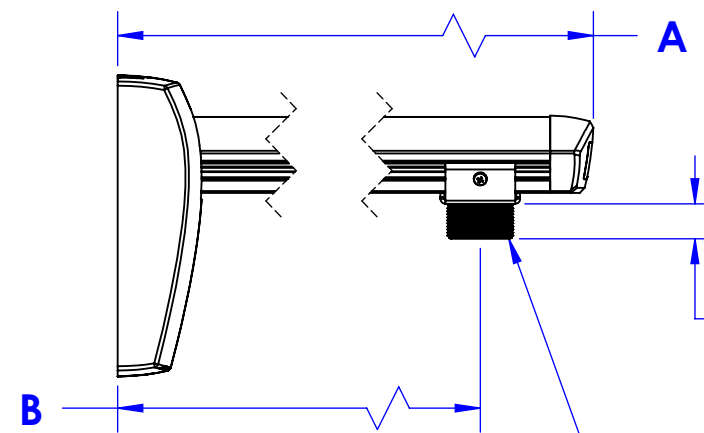
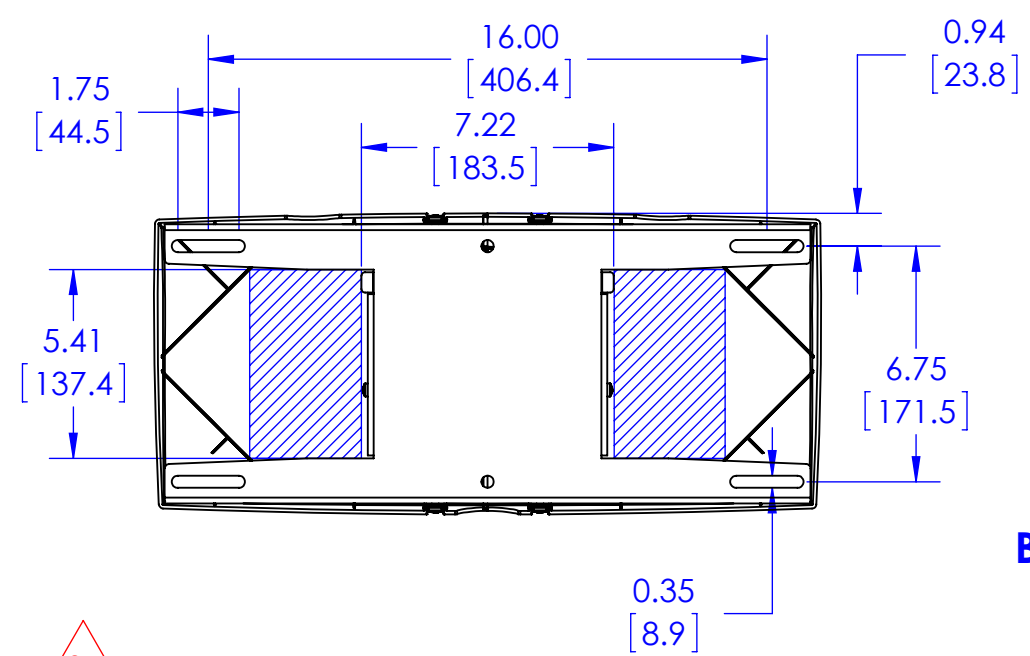
WP21S/US



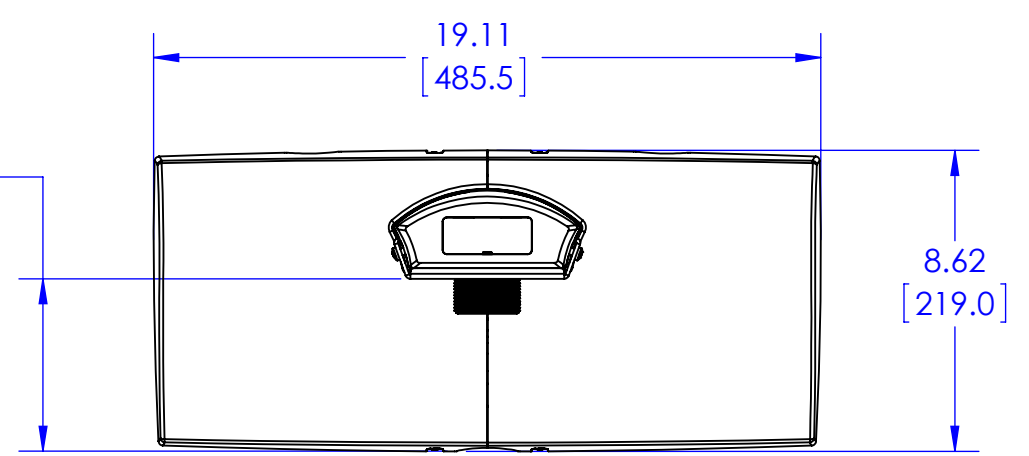
WP22S/US



WP23S/US



1-1/2" PIPE THREAD
ATTACH PROJECTOR MOUNT HERE



RECOMENDED LOCATIONS TO PLACE OUTLET AND FEED DATA LINES
 WP2xS REQUIRES A PROJECTOR MOUNT (PURCHASED SEPARATELY)
 WP2xUS INCLUDES RSAUS UNIVERSAL MOUNT INSTALLED (NOT SHOWN)

THE INFORMATION AND DESIGNS CONTAINED IN THIS DRAWING ARE CONFIDENTIAL AND THE PROPRIETARY PROPERTY OF MILESTONE AV TECHNOLOGIES NEITHER THIS DESIGN NOR ANY INFORMATION CONTAINED IN THIS DRAWING MAY BE REPRODUCED OR DISCLOSED TO OTHERS WITHOUT THE EXPRESS WRITTEN CONSENT OF MILESTONE AV TECHNOLOGIES.

CAD GENERATED DRAWING, DO NOT MANUALLY UPDATE.				6436 CITY WEST PKWY EDEN PRAIRIE MN, 55344 PHONE: 866-977-3901 FAX: 877-894-6918	
DRAWN BY	MW	2/28/2012		DESCRIPTION SHORT THROW MOUNT	
ENG APPROVAL			MODEL NO. WP2xxS		
MFG APPROVAL			REV. 01		
QA APPROVAL			SIZE DWG. NO. B TECH-000016		
SHEET 1 OF 1			SCALE 1:5.5		