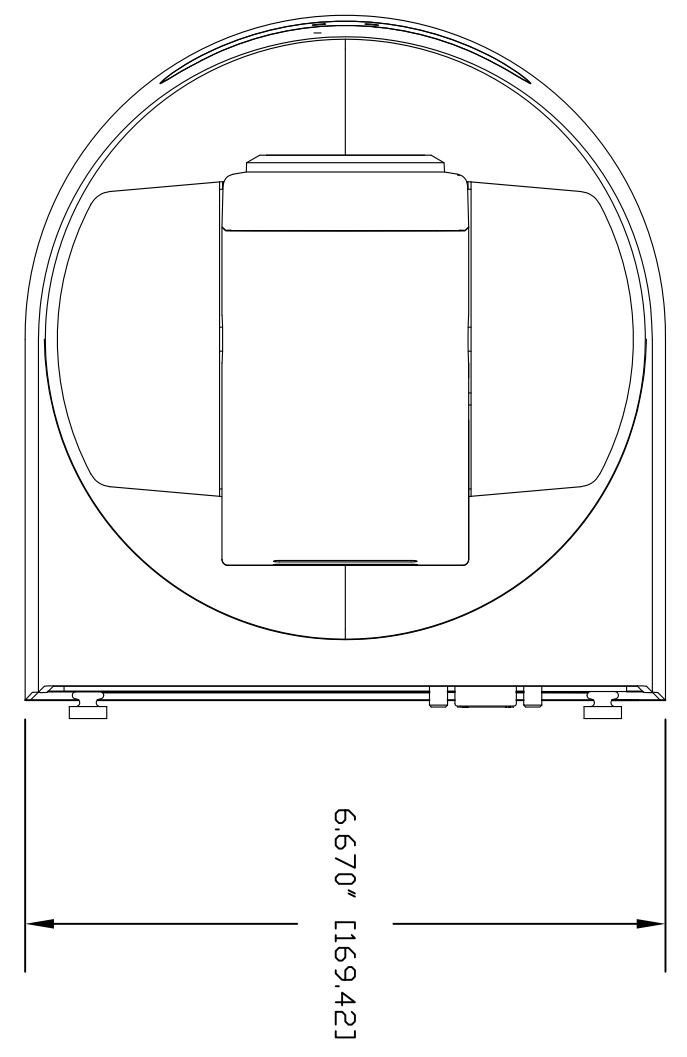


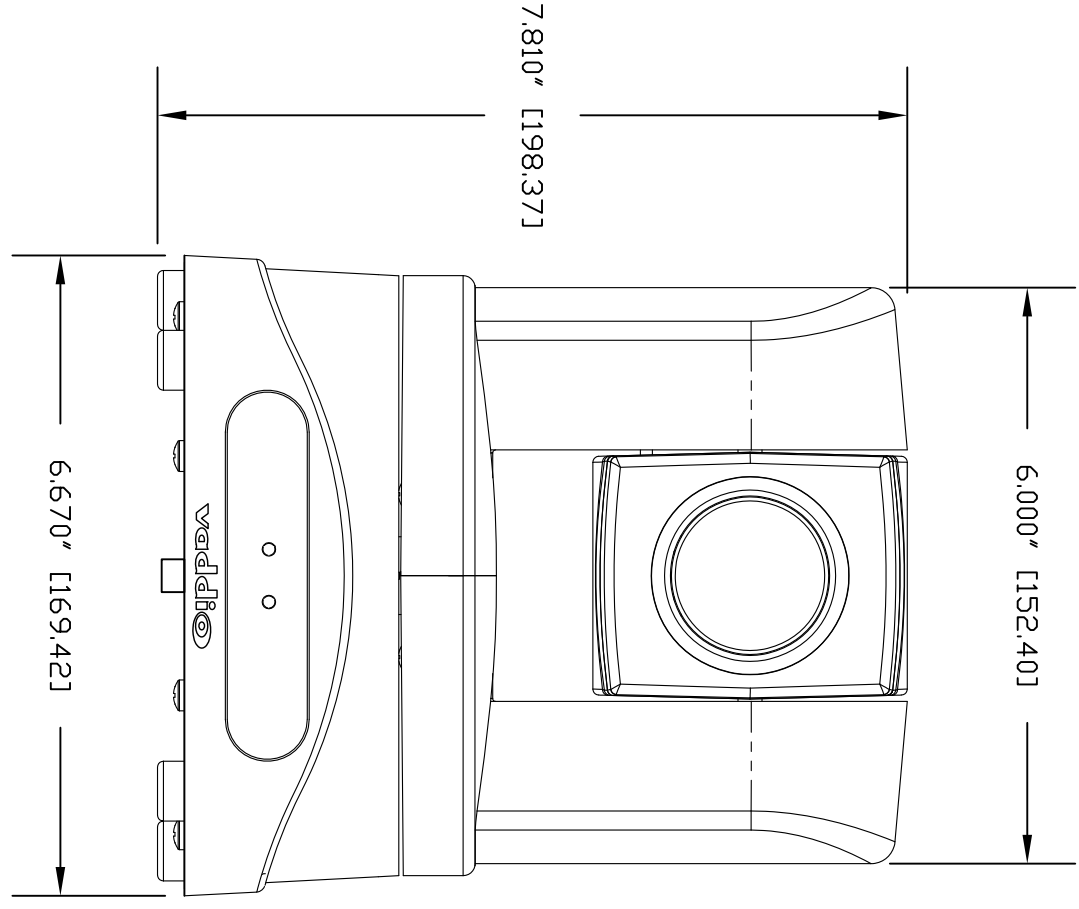


205 Westwood Ave, Long Branch, NJ 07740
 Phone: 866-94 BOARDS (26273) / (732)-222-1511
 Fax: (732)-222-7088 | E-mail: sales@touchboards.com



6.670" [169.421]

FRONT VIEW

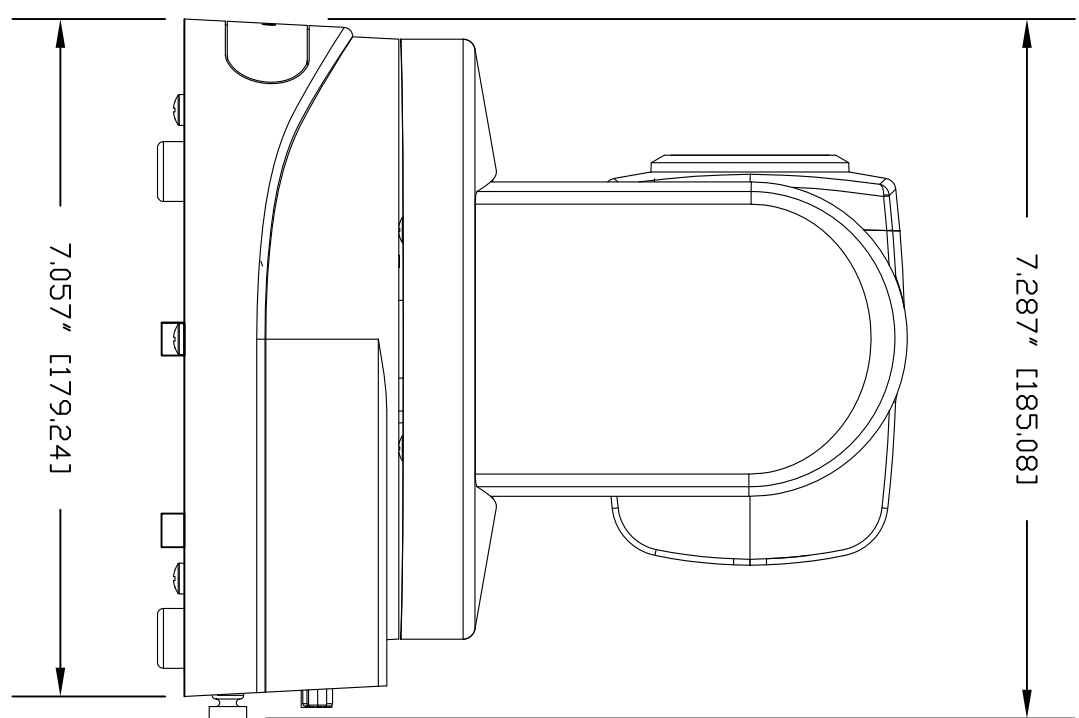


6.000" [152.401]

7.810" [198.371]

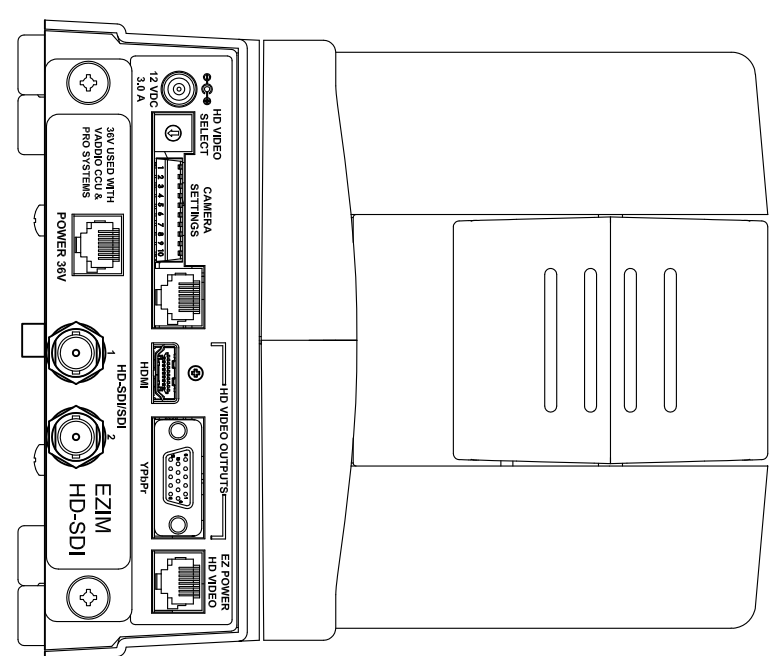
6.670" [169.421]

SIDE VIEW

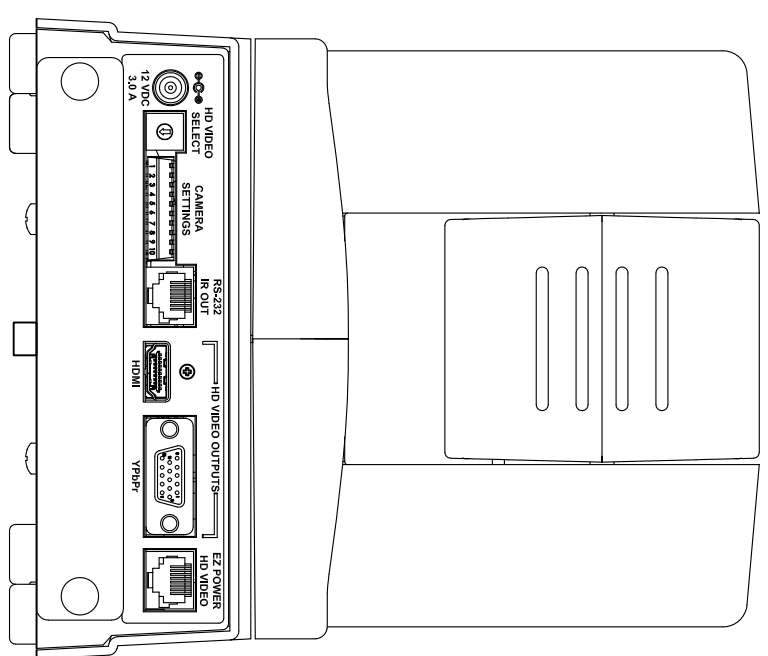


7.287" [185.081]

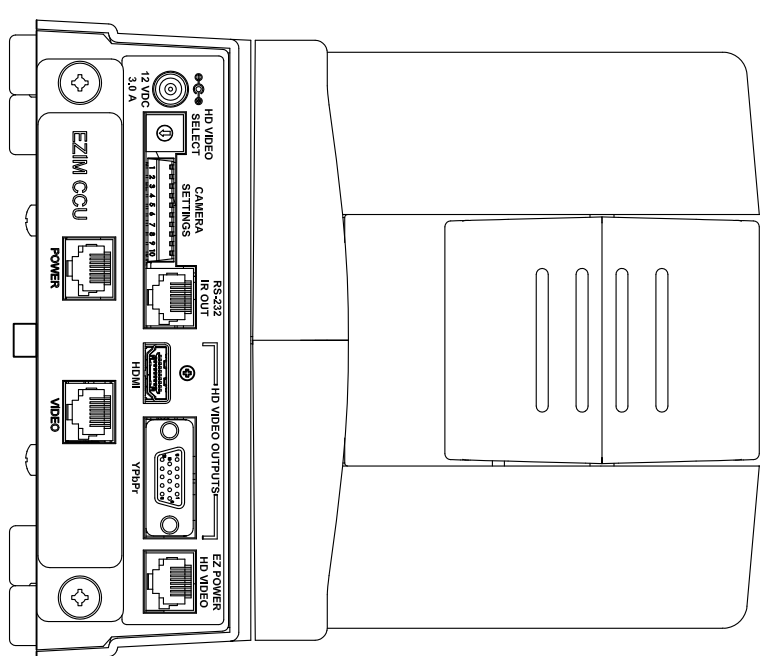
7.057" [179.241]



REAR VIEW WITH HD-SDI SLOT CARD

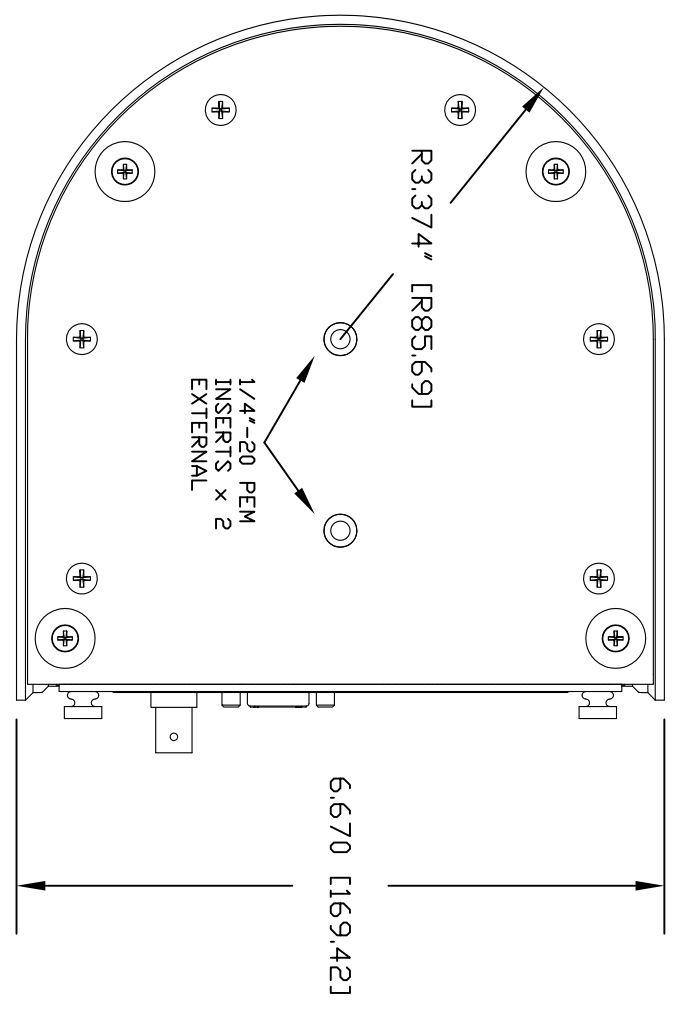


REAR VIEW ND SLOT CARD - COVER ONLY



REAR VIEW WITH EZIM CCU SLOT CARD

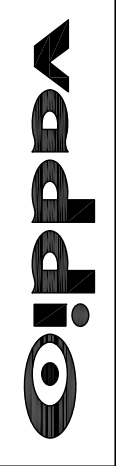
BOTTOM VIEW



R3.374" [R85.691]

1/4"-20 PEM INSERTS x 2 EXTERNAL

6.670 [169.421]



GENERAL NOTES:
 DIMENSIONS ARE IN INCHES (mm) UNLESS OTHERWISE NOTED.
 DO NOT ALTER OR REPAIR WITHOUT EXPRESS WRITTEN PERMISSION
 FROM VADDIO. VADDIO SHALL NOT BE RESPONSIBLE FOR ANY
 DAMAGE TO EQUIPMENT OR PERSONS. VADDIO RESERVES THE RIGHT TO CHANGE
 SPECIFICATIONS WITHOUT PRIOR NOTICE OR OBLIGATION.

VADDIO ClearVIEW HD-20 PTZ CAMERA SYSTEM

VADDIO PART NUMBER 999-6950-000 / 999-6950-001

DRAWN VLF/RAR CHECKED APPROVED DATE 02/11/2011

THIS DRAWING, INCLUDING ALL SUBJECT MATTERS INDICATED THEREON OR DERIVED THEREFROM, IS THE PROPERTY OF VADDIO. ALL RIGHTS RESERVED - COPYRIGHT 2008

FINISH	CIGALUX 6959 BRUSH - BLACK MSF PC	SCALE	1:2	DRAWING NO.	6950	REV	REV A
MATERIALS		VARIDS - SEE INM					