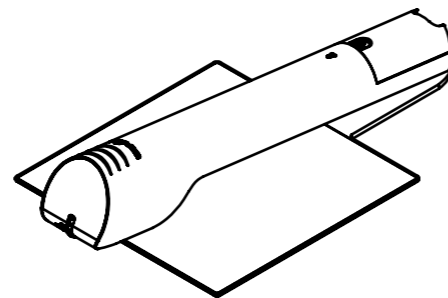
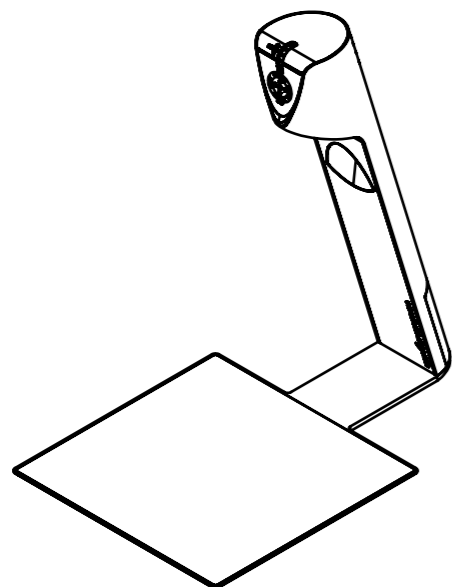
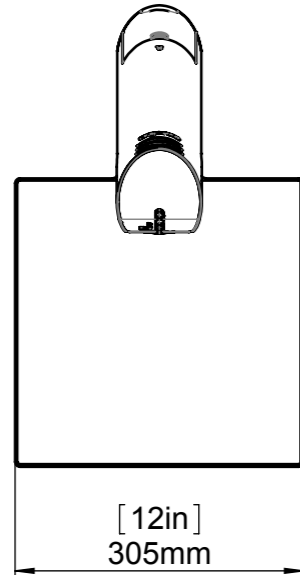
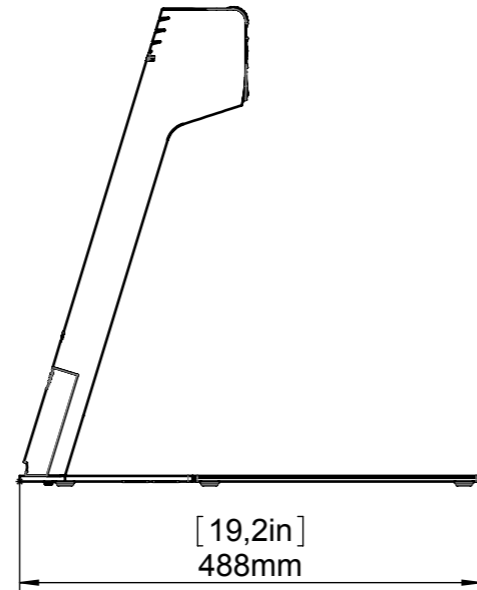
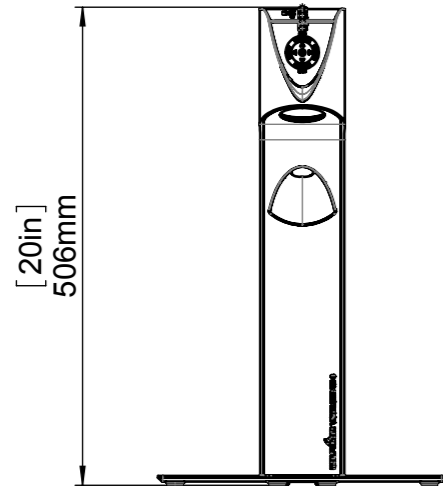
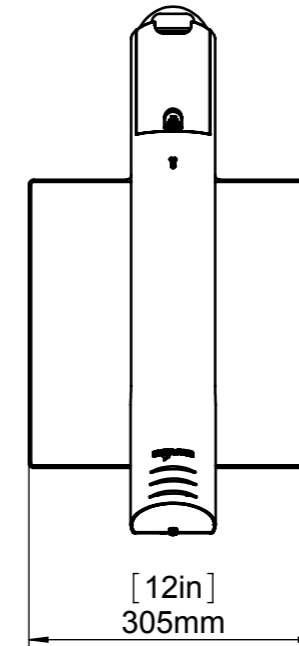
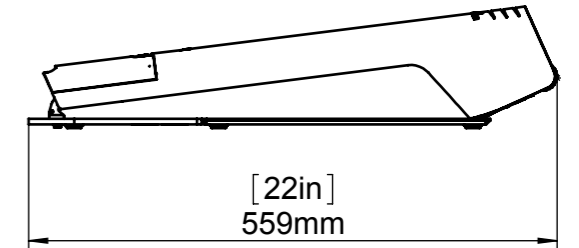
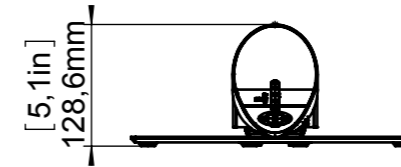


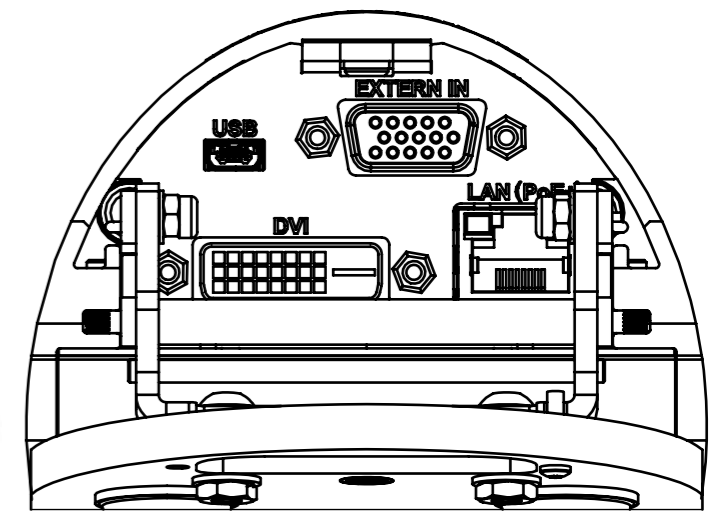
OPEN



CLOSED



DETAIL CONNECTORS M 1:1



Touchboards

205 Westwood Ave, Long Branch, NJ 07740
 Phone: 866-94 BOARDS (26273) / (732)-222-1511
 Fax: (732)-222-7088 | E-mail: sales@touchboards.com

| | | | | Alle Maße ohne Oberflächenbeschichtung! | | DIN-Norm: | Datum: | Name: | | | | | | | | | | | | | | | | | | | | | | | | | | | | | | |
|--|--|--|--|---|------------------|-----------------|-------------------------|-------|--|--|--|--|--|--|--|--|--|--|--|--|--|--|--|--|--|--|--|--|--|--|--|--|--|--|--|--------|------------------------|-----|
| | | | | Artikel Nr.: 104955 | Dok-Nr.: 11 | Maßstab: 1:8 | Erstellt: 03.03.2011 | SCr | | | | | | | | | | | | | | | | | | | | | | | | | | | | | | |
| <table border="1"> <thead> <tr> <th>Index</th> <th>Änd.</th> <th>Datum</th> <th>NN</th> </tr> </thead> <tbody> <tr><td> </td><td> </td><td> </td><td> </td></tr> <tr><td> </td><td> </td><td> </td><td> </td></tr> <tr><td> </td><td> </td><td> </td><td> </td></tr> <tr><td> </td><td> </td><td> </td><td> </td></tr> <tr><td> </td><td> </td><td> </td><td> </td></tr> <tr><td> </td><td> </td><td> </td><td> </td></tr> <tr><td> </td><td> </td><td> </td><td> </td></tr> </tbody> </table> | | | | Index | Änd. | Datum | NN | | | | | | | | | | | | | | | | | | | | | | | | | | | | | Index: | Geprüft: 06.06.2011 | SCr |
| | | | | Index | Änd. | Datum | NN | | | | | | | | | | | | | | | | | | | | | | | | | | | | | | | |
| | | | | | | | | | | | | | | | | | | | | | | | | | | | | | | | | | | | | | | |
| | | | | | | | | | | | | | | | | | | | | | | | | | | | | | | | | | | | | | | |
| | | | | | | | | | | | | | | | | | | | | | | | | | | | | | | | | | | | | | | |
| | | | | | | | | | | | | | | | | | | | | | | | | | | | | | | | | | | | | | | |
| | | | | | | | | | | | | | | | | | | | | | | | | | | | | | | | | | | | | | | |
| | | | | | | | | | | | | | | | | | | | | | | | | | | | | | | | | | | | | | | |
| | | | | | | | | | | | | | | | | | | | | | | | | | | | | | | | | | | | | | | |
| Benennung: Zusammenstellung VZ-3 | | | | Freimaßtol.: | DIN 2768, fein/H | Änd.-Antrag: -- | Ersetzt: -- | | | | | | | | | | | | | | | | | | | | | | | | | | | | | | | |
| | | | | Material: | -- | Rauigkeit: Rz< | Seiten: 1/1 | | | | | | | | | | | | | | | | | | | | | | | | | | | | | | | |