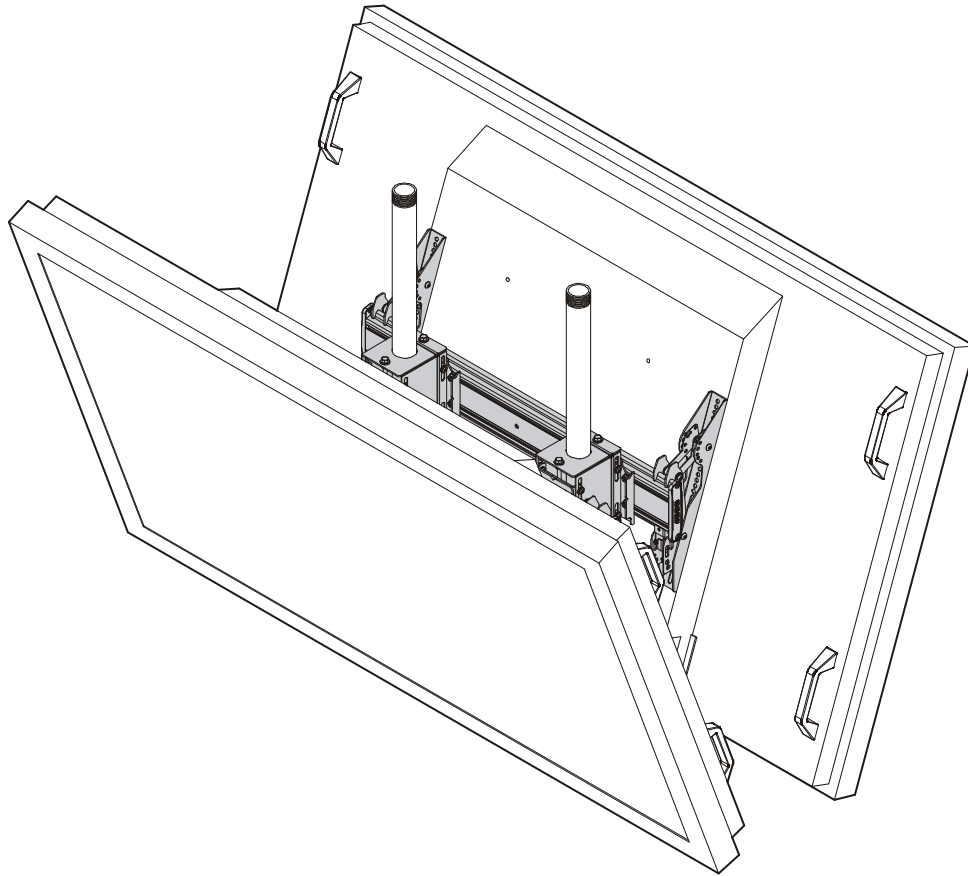

INSTALLATION INSTRUCTIONS



Extra Large Back-to-Back Dual Column Ceiling Mount

Touchboards

205 Westwood Ave, Long Branch, NJ 07740
Phone: 866-94 BOARDS (26273) / (732)-222-1511
Fax: (732)-222-7088 | E-mail: sales@touchboards.com

CHIEF[®]
Our Mounts. Your Vision.


XCB7000

DISCLAIMER

Milestone AV Technologies and its affiliated corporations and subsidiaries (collectively "Milestone"), intend to make this manual accurate and complete. However, Milestone makes no claim that the information contained herein covers all details, conditions or variations, nor does it provide for every possible contingency in connection with the installation or use of this product. The information contained in this document is subject to change without notice or obligation of any kind. Milestone makes no representation of warranty, expressed or implied, regarding the information contained herein. Milestone assumes no responsibility for accuracy, completeness or sufficiency of the information contained in this document.

Chief® is a registered trademark of Milestone AV Technologies. All rights reserved.


IMPORTANT SAFETY INSTRUCTIONS


 **WARNING:** A WARNING alerts you to the possibility of serious injury or death if you do not follow the instructions.


 **CAUTION:** A CAUTION alerts you to the possibility of damage or destruction of equipment if you do not follow the corresponding instructions.

 **WARNING:** Failure to read, thoroughly understand, and follow all instructions can result in serious personal injury, damage to equipment, or voiding of factory warranty! It is the installer's responsibility to make sure all components are properly assembled and installed using the instructions provided.

 **WARNING:** Failure to provide adequate structural strength for this component can result in serious personal injury or damage to equipment! It is the installer's responsibility to make sure the structure to which this component is attached can support five times the combined weight of all equipment. Reinforce the structure as required before installing the component.

 **WARNING:** Exceeding the weight capacity can result in serious personal injury or damage to equipment! It is the installer's responsibility to make sure the combined weight of all components located within the mounting system of the XCB7000 does not exceed a maximum weight capacity of 600 lbs (272.2 kg) [300 lbs (136.1 kg) each display].

 **WARNING:** Never operate this mounting system if it is damaged. Return the mounting system to a service center for examination and repair.

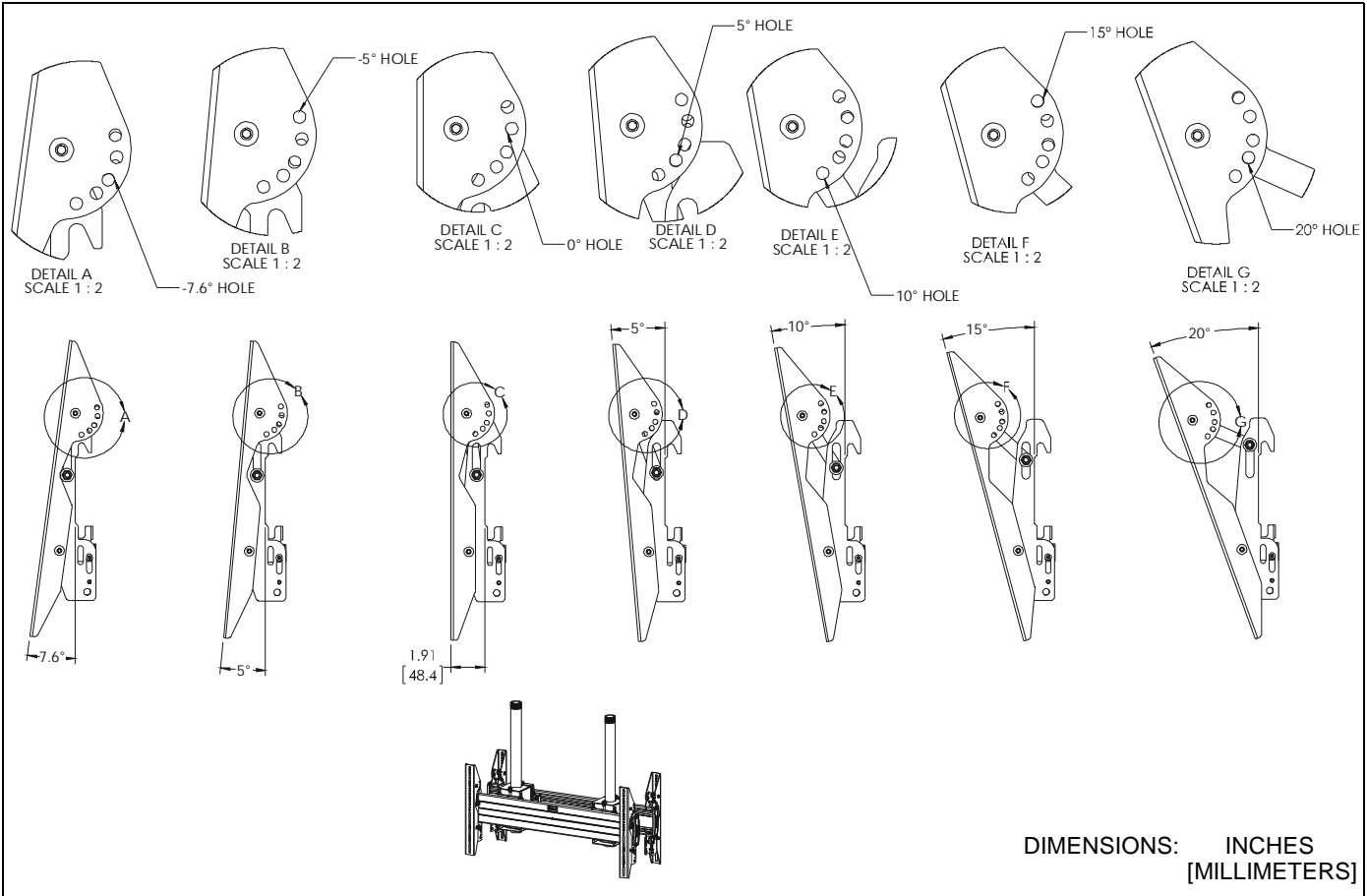
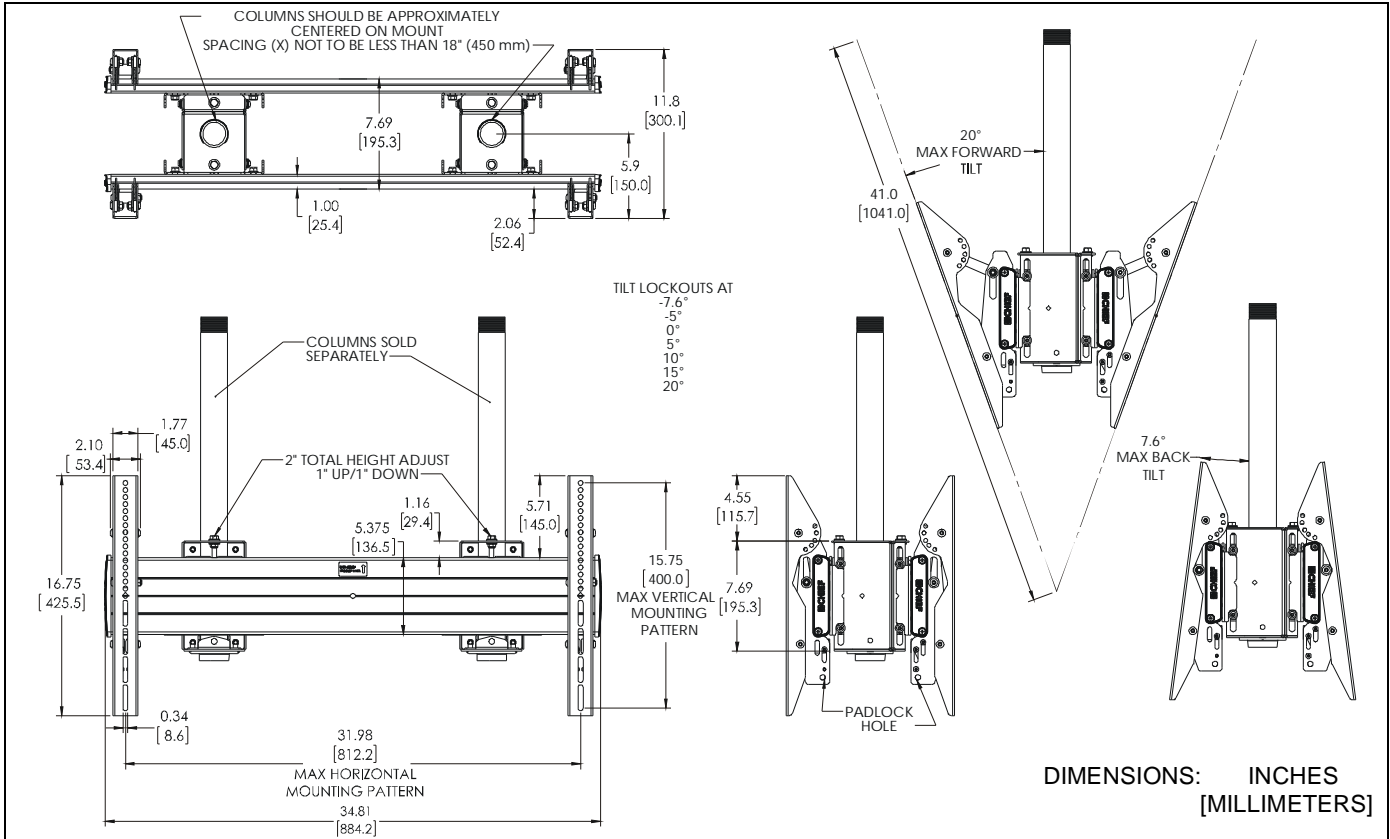
 **WARNING:** Do not use this product outdoors.

NOTE: The XCB7000 dual column ceiling mounts are intended to be used with the UL Listed CPA extension columns and UL Listed CPA Ceiling Plates (not included): CPA330, CPA365, CPA395.



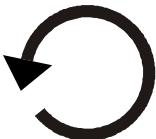


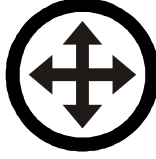






The following UL Listed Chief ceiling plates WITHOUT swaged collars (not included) may also be used: CMA330, CMA345, CMA395.

--SAVE THESE INSTRUCTIONS--

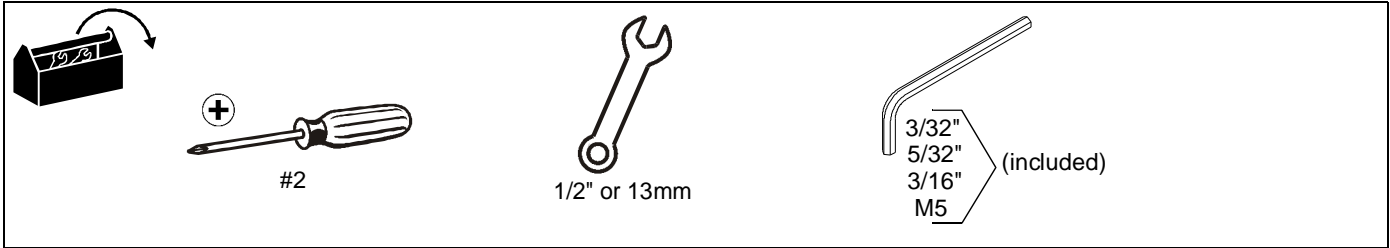
DIMENSIONS



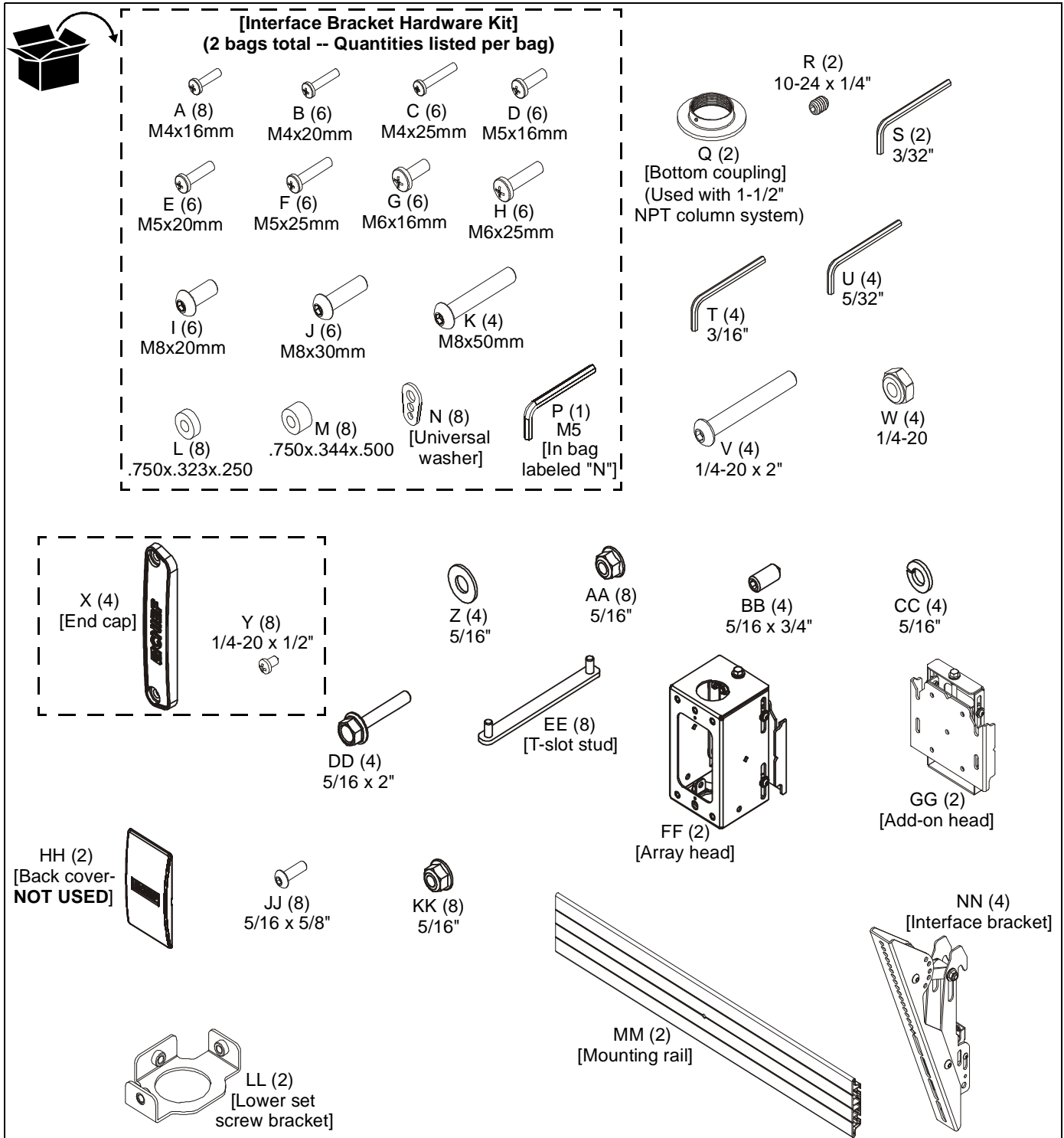
LEGEND

	Tighten Fastener Apretar elemento de fijación Befestigungsteil festziehen Apertar fixador Serrare il fissaggio Bevestiging vastdraaien Serrez les fixations		Pencil Mark Marcar con lápiz Stiftmarkierung Marcar com lápis Segno a matita Potloodmerkteken Marquage au crayon
	Loosen Fastener Aflojar elemento de fijación Befestigungsteil lösen Desapertar fixador Allentare il fissaggio Bevestiging losdraaien Desserrez les fixations		Drill Hole Perforar Bohrloch Fazer furo Praticare un foro Gat boren Percez un trou
	Phillips Screwdriver Destornillador Phillips Kreuzschlitzschraubendreher Chave de fendas Phillips Cacciavite a stella Kruiskopschroevendraaier Tournevis à pointe cruciforme		Adjust Ajustar Einstellen Ajustar Regolare Afstellen Ajuster
	Open-Ended Wrench Llave de boca Gabelschlüssel Chave de bocas Chiave a punte aperte Steeksleutel Clé à fourche		Remove Quitar Entfernen Remover Rimuovere Verwijderen Retirez
	By Hand A mano Von Hand Com a mão A mano Met de hand À la main		Optional Opcional Optional Opcional Opzionale Optie En option
	Hex-Head Wrench Llave de cabeza hexagonal Sechskantschlüssel Chave de cabeça sextavada Chiave esagonale Zeskantsleutel Clé à tête hexagonale		Security Wrench Llave de seguridad Sicherheitsschlüssel Chave de segurança Chiave di sicurezza Veiligheidssleutel Clé de sécurité

TOOLS REQUIRED FOR INSTALLATION



PARTS



INSTALLATION

NOTE: The following procedure assumes that 2 UL Listed CPA or CMA ceiling plates (not included) and 2 extension columns (not included) have been properly installed following instructions provided with ceiling plates and extension columns.

- The ceiling plates and columns should be installed approximately centered on mount with spacing between columns to be **NO LESS** than 18". (See **Dimensions** drawings.)

IMPORTANT ! : The weight of the system should be evenly distributed across two ceiling plates.

NOTE: Proceed to **Attaching Mount to 1-1/2" NPT Column** section or **Attaching Mount to CPA Extension Column** section, as appropriate.

Attaching Mount to 1-1/2" NPT Column

- Turn the array head (FF) upside down. (See Figure 1)
- Remove **AND SAVE** two buttonhead screws from array head. (See Figure 1)
- Remove and discard inner bracket from array head. (See Figure 1)

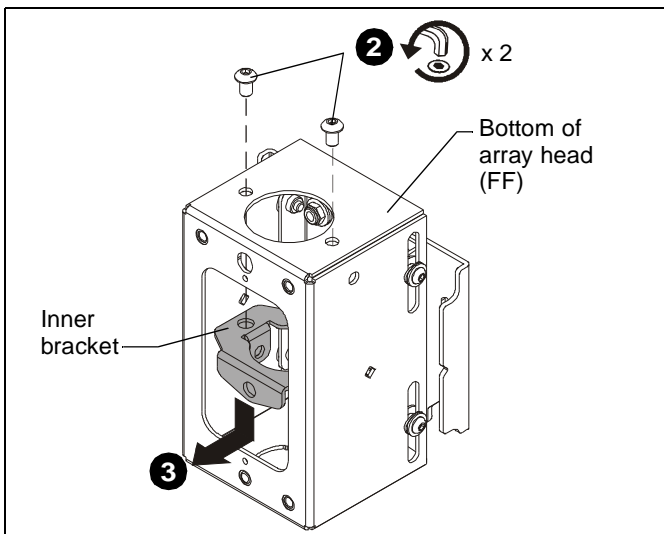


Figure 1



CAUTION: WATCH FOR PINCH POINTS! Do not place fingers between moveable parts.

- Turn array head upright. (See Figure 2)
- Turn adjustment bolt on top of array head to slide plate up and enlarge opening on front of array head. (See Figure 2)
- Insert lower set screw bracket (LL) into array head (FF) with three tabs towards sides and back. (See Figure 2)
- Fasten bracket (LL) into place in bottom of array head using buttonhead screws (removed in Step 2) through sides of array head and into side tabs of bracket (HH). (See Figure 2)
- Slide plate (raised in Step 5) back into position by turning adjustment bolt on top of array head. (See Figure 2)

- Repeat Steps 1 through 8 for remaining array head (FF).

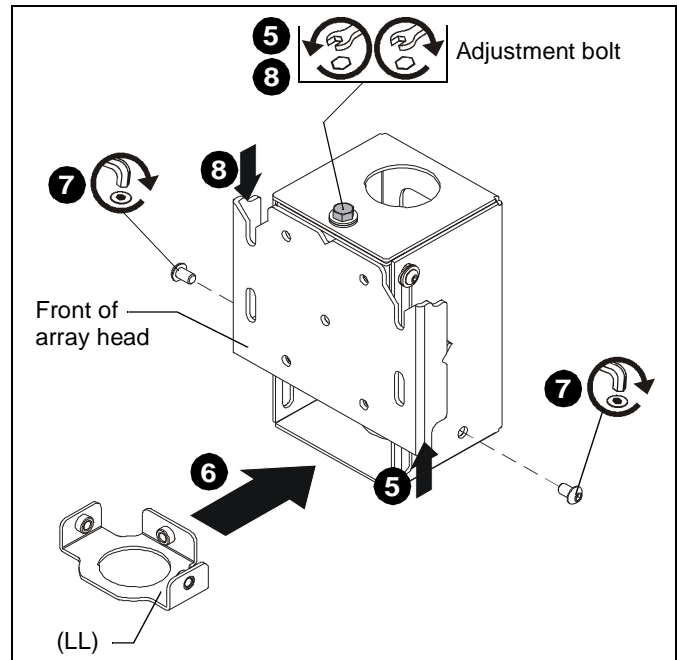


Figure 2

- Slide array head (FF) up from below onto installed column (not included). (See Figure 3)
- Thread bottom coupling (Q) onto installed column until tight, with a minimum of four threads engaged. (See Figure 3)
- Install and tighten one 10-24 x 1/4" set screw (R) into bottom coupling (Q). (See Figure 3)

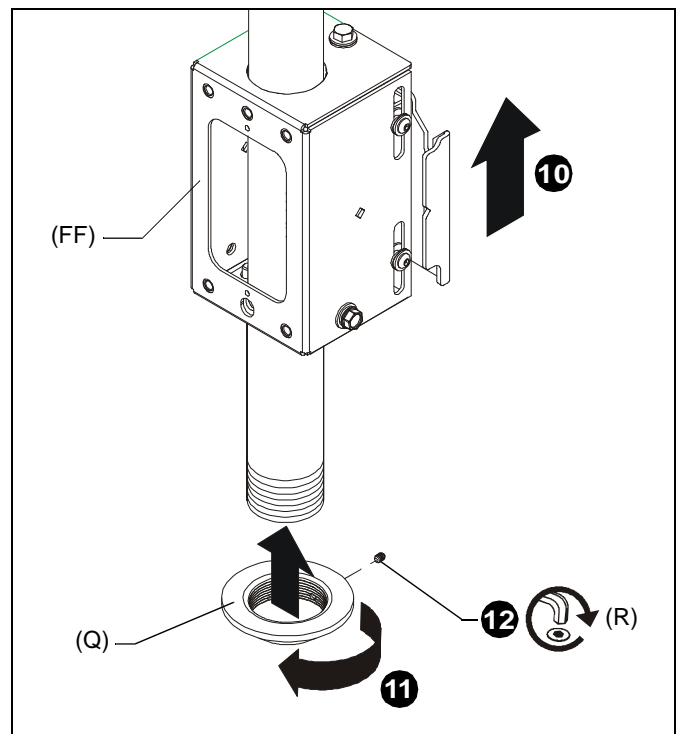


Figure 3

- Repeat Steps 10 through 12 for remaining array head (FF), assuring that second array head is approximately level with first installed array head.

Attaching Mount to CPA Extension Column



CAUTION: WATCH FOR PINCH POINTS! Do not place fingers between moveable parts.

- Slide array head (FF) up from below onto installed column (not included). (See Figure 4)
- Line up holes in sides of array head (FF) with holes in column.

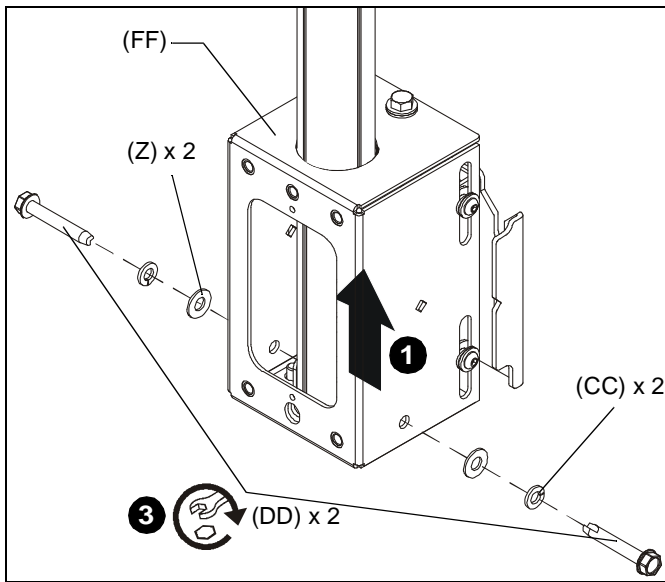


Figure 4

- Install two 5/16" x 2" self-tapping screws (DD) through two 5/16" split washers (CC), two 5/16" flat washers (Z), sides of array head (FF), and into installed column. (See Figure 4)
- Repeat Steps 1 through 3 for remaining array head (FF), assuring that second array head is approximately level with first installed array head.

Adding Mounting Rail

- Slide four T-slot studs (EE - two in top mounting rail slot and two in bottom) into end of mounting rail (MM). (See Figure 5)

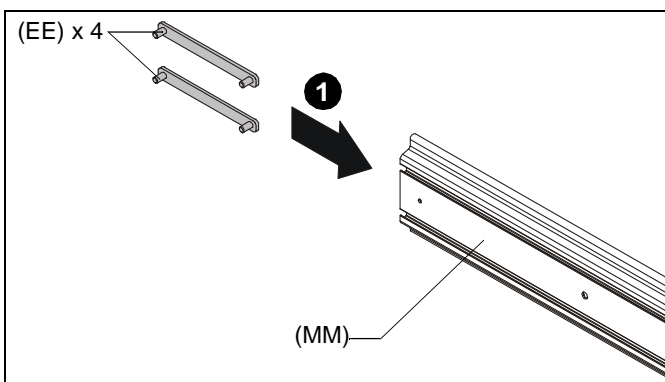


Figure 5

- Partially fasten one 5/16" lock nut (AA) to each stud on upper T-slot studs.
- Slide top T-slot studs (EE) with attached lock nuts (AA) down into top openings on array heads (FF). (See Figure 6)
- Slide studs on lower T-slot studs (EE) into lower slots on array head (FF) while bringing mounting rail against array head.
- Tighten array head to mounting rail by tightening lock nuts on upper T-slot studs and adding two 5/16" lock nuts (AA) to lower T-slot studs. (See Figure 6)

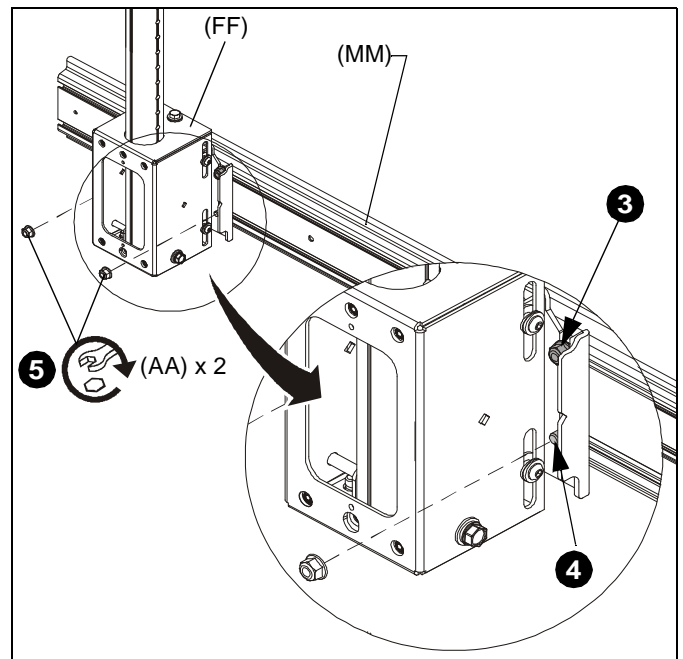


Figure 6

- Repeat for remaining array head (FF).
- Add one end cap (X) to each end of mounting rail, and fasten in place using two 1/4-20 x 1/2" Phillips self-tapping screws (Y) for both end caps. (See Figure 7)

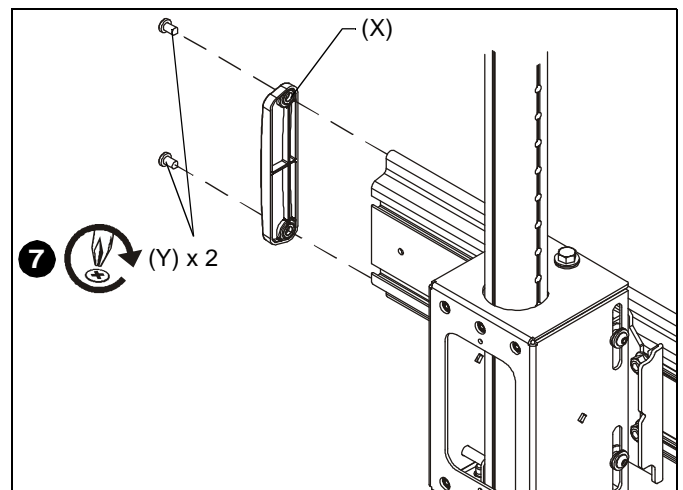


Figure 7

8. Tighten two 5/16" x 3/4" set screws (BB) through each array head (FF) and against column. (See Figure 8)

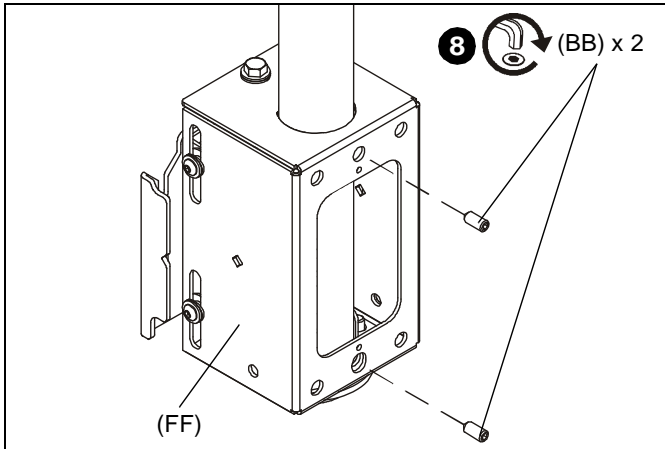


Figure 8

Attaching Add-On Heads

1. Attach add-on head (GG) to existing array head using four 5/16 x 5/8" button head cap screws (JJ). (See Figure 9)
2. Repeat Step 1 for remaining add-on head.

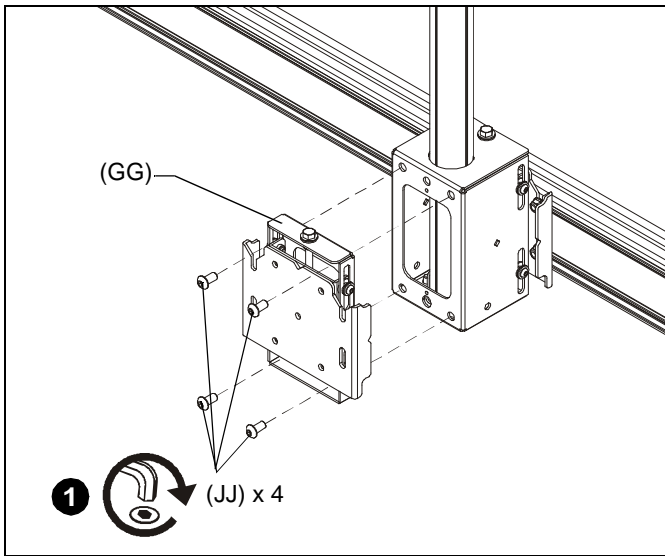


Figure 9

Adding Mounting Rail

1. Slide four T-slot studs (EE - two in top mounting rail slot and two in bottom) into end of mounting rail (MM). (See Figure 10)

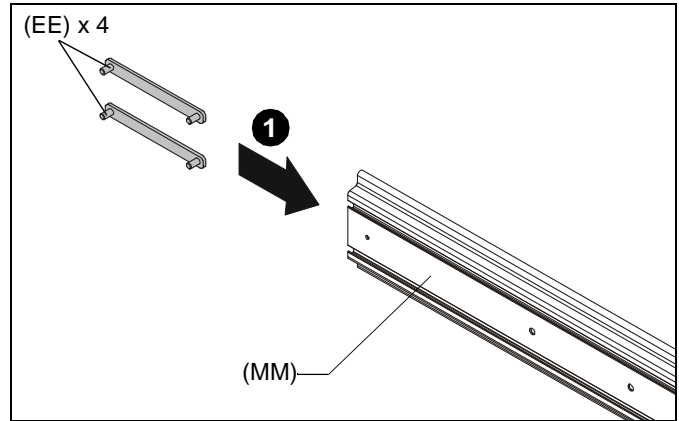


Figure 10

2. Partially fasten one 5/16" lock nut (KK) to each stud on upper T-slot studs.
3. Slide top T-slot studs (EE) with attached lock nuts (KK) down into top openings on add-on heads (FF). (See Figure 11)
4. Slide studs on lower T-slot studs (EE) into lower slots on add-on heads (FF) while bringing mounting rail against add-on heads.

IMPORTANT ! : Both mounting rails (MM) must be located at the same height. One mounting rail must NOT be higher than the other mounting rail.

5. Tighten array head to mounting rail by tightening lock nuts on upper T-slot studs and adding two 5/16" lock nuts (KK) to lower T-slot studs. (See Figure 6)

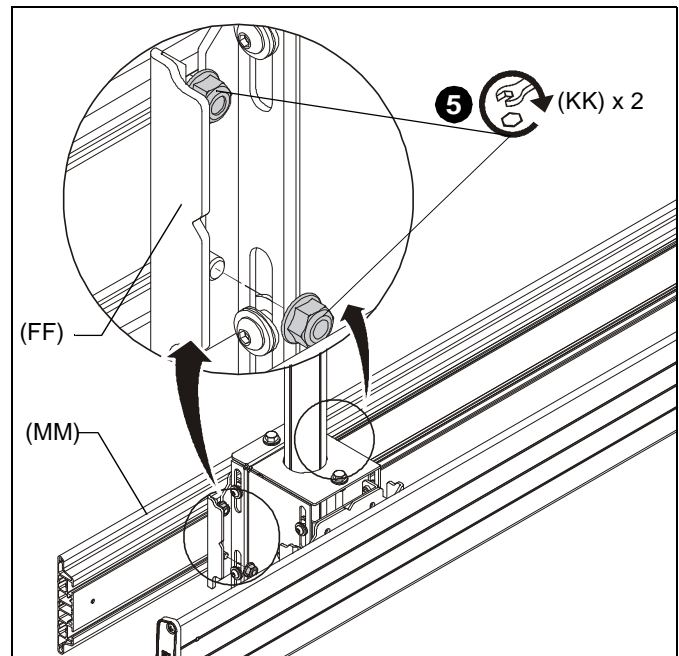


Figure 11

6. Repeat for remaining add-on head (FF).

7. Add one end cap (X) to each end of mounting rail (MM), and fasten in place using two 1/4-20 x 1/2" Phillips self-tapping screws (Y) for each end cap. (See Figure 12)

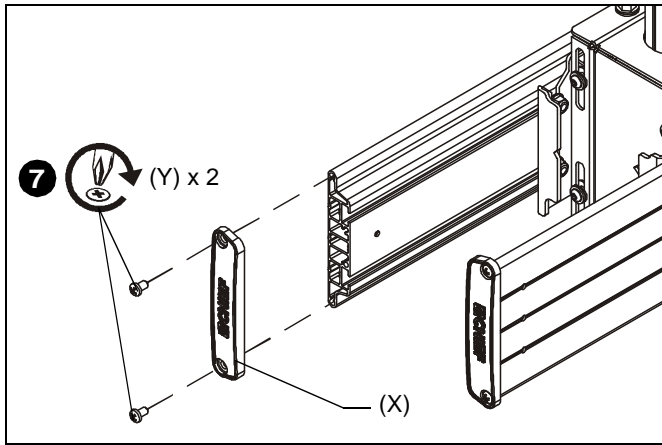


Figure 12

Attaching Interface Brackets to Displays

1. Lower the latch mechanism on each interface bracket (NN). (See Figure 13)

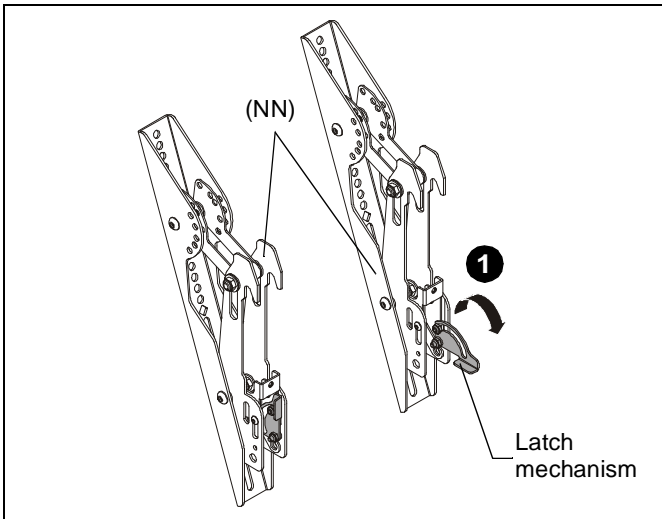


Figure 13

2. Align the center of the interface bracket (NN) with center of screen. (See Figure 14)

NOTE: The diamond-shape hole in the bracket corresponds to the center of the mount.

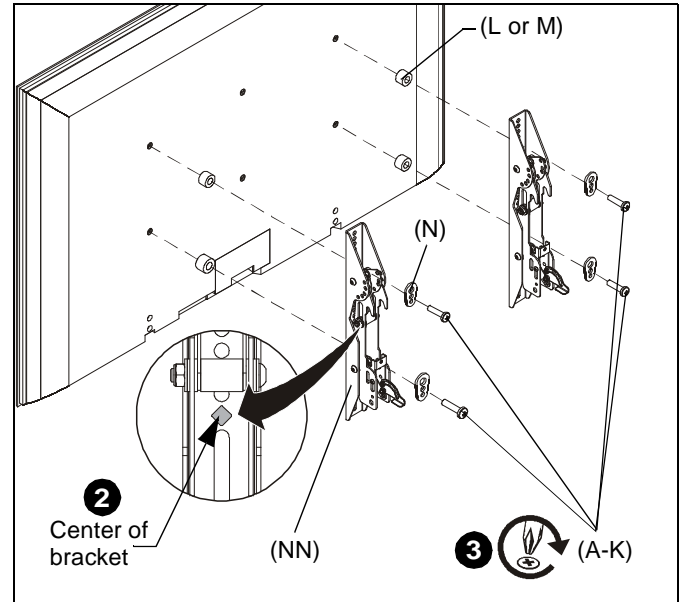


Figure 14



WARNING: IMPROPER INSTALLATION CAN LEAD TO DISPLAY FALLING CAUSING SERIOUS PERSONAL INJURY OR DAMAGE TO EQUIPMENT! Using screws of improper size may damage your display. Properly sized screws will easily and completely thread into display mounting holes. If spacers are required, be sure to use longer screws of the same diameter.

3. Select correct screws, spacers (if necessary) and universal washers from the hardware bag (A-N) and attach brackets (NN) to back of screen. (See Figure 14)

Attaching Displays to Mounting Rail



WARNING: Exceeding the weight capacity can result in serious personal injury or damage to equipment! It is the installer's responsibility to make sure the combined weight of all components located within the mounting system of the XCB7000 does not exceed a maximum weight capacity of 600 lbs (272.2 kg) [300 lbs (136.1 kg) each display].



CAUTION: BEFORE adding display to the mounting rail, ensure end caps are in place at BOTH ends of mounting rail!

IMPORTANT ! : The interface bracket tilt may be adjusted either before or after adding display to mounting rail. See **Adjustments** section.

1. Ensure that the latch mechanisms on interface brackets (NN) are already lowered. (See Figure 13)

2. While supporting both sides of display, lower display onto center of ceiling mount, hooking top of interface brackets onto front of ceiling mount. (See Figure 15)
3. Raise the latch mechanism on both interface brackets to lock bracket in place. (See Figure 15)

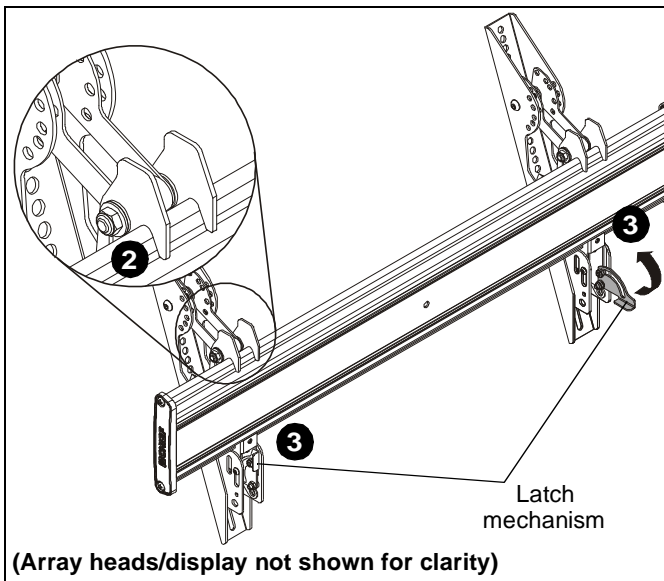


Figure 15

Adjustments



CAUTION: Watch for pinch points! Do not place fingers between moveable parts.

Height Adjustment and Leveling

The ceiling mounts allow up to 2 inches of height adjustment.

1. Turn the height adjustment bolt(s) in the direction necessary for the desired height. (See Figure 16)

NOTE: Each height adjustment bolt controls the height on its side of the mount.

IMPORTANT ! : Both mounting rails must be located at the same height. One mounting rail must NOT be higher than the other mounting rail.

2. Stop adjusting when the desired setting is reached.

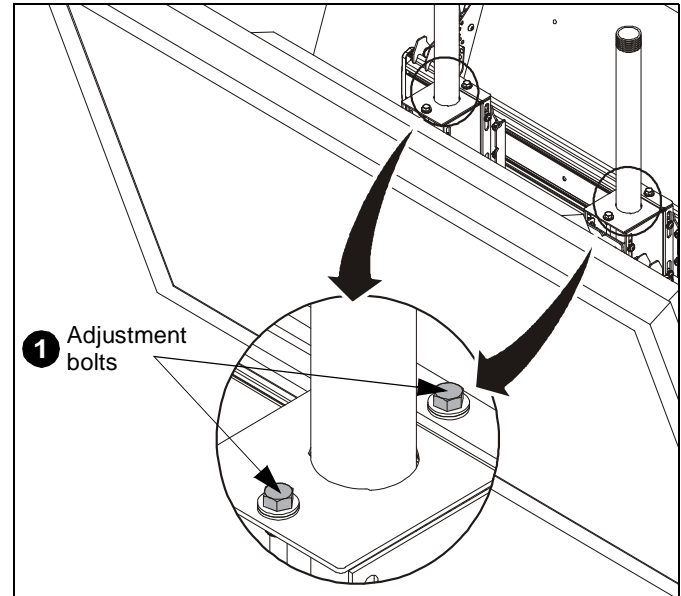


Figure 16

Tilt

NOTE: Two people will be required to adjust the tilt when the display is installed.

The interface brackets allow -7.6° to 20° tilt, and can be locked at -7.6°, -5°, 0°, 5°, 10°, 15° and 20° tilt.

1. Adjust tilt as required. (See Figure 17)
2. The tilt may be locked using one 1/4-20 x 2" button head screw (V) and one 1/4-20 lock nut (W) per interface bracket. (See Figure 17)
3. Repeat for remaining interface brackets.

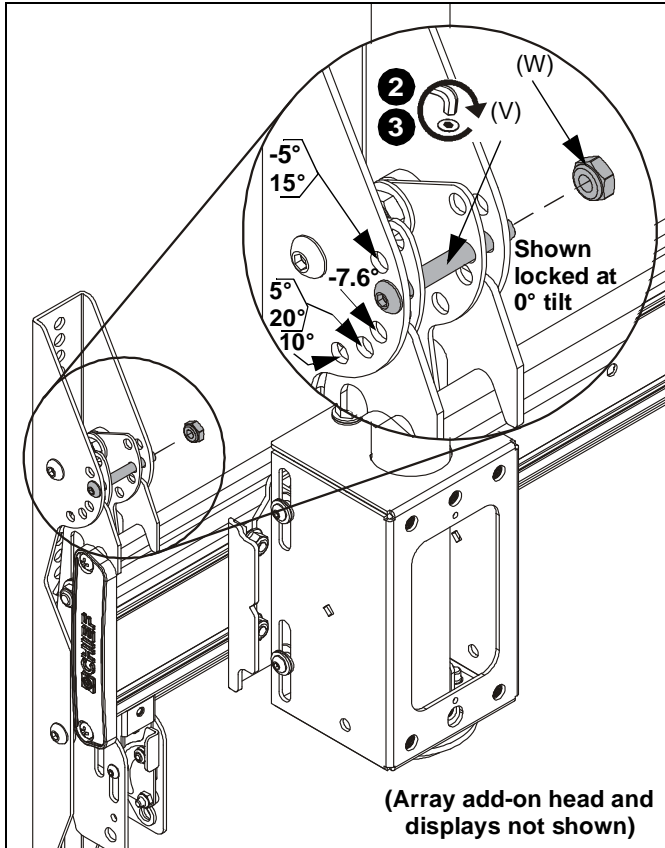


Figure 17

OPTIONAL: Security

1. **OPTIONAL:** Add padlock (not included) to each interface bracket to lock display to ceiling mount. (See Figure 18)

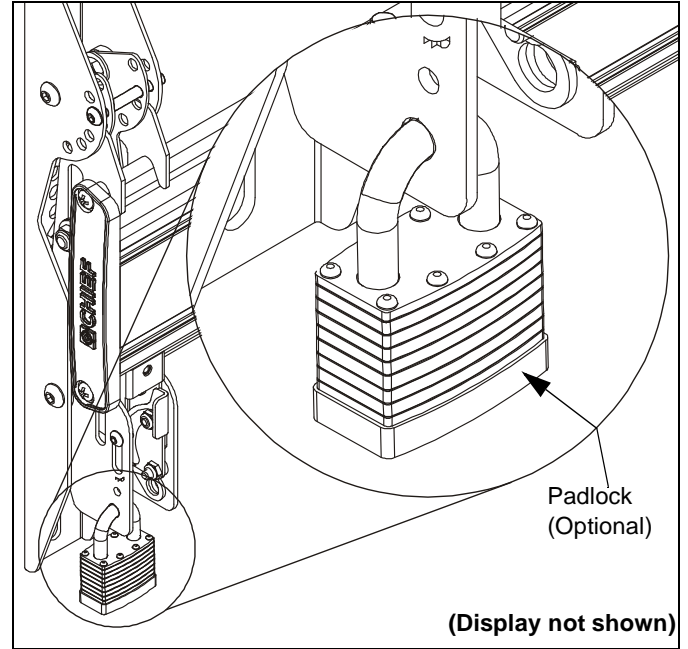


Figure 18



Our Mounts. **Your Vision.**

Chief, a products division of
Milestone AV Technologies

8800-002456 Rev00
©2014 Milestone AV Technologies
www.chiefmfg.com
02/14

USA/International	A 6436 City West Parkway, Eden Prairie, MN 55344 P 800.582.6480 / 952.225.6000 F 877.894.6918 / 952.894.6918
Europe	A Franklinstraat 14, 6003 DK Weert, Netherlands P +31 (0) 495 580 852 F +31 (0) 495 580 845
Asia Pacific	A Office No. 1 on 12/F, Shatin Galleria 18-24 Shan Mei Street Fotan, Shatin, Hong Kong P 852 2145 4099 F 852 2145 4477

