



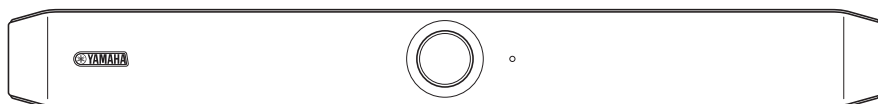
VIDEO CONFERENCE SYSTEM
SYSTÈME DE VIDÉOCONFÉRENCE
SISTEMA DE VIDEOCONFERENCIA
СИСТЕМА ВИДЕОКОНФЕРЕНЦСВЯЗИ

视频电话会议终端

視訊會議系統

ビデオ会議システム

CS-800



- EN** Quick Guide
- DE** Kurzanleitung
- FR** Guide rapide
- ES** Guía rápida
- PT** Guia rápido
- IT** Guida rapida
- RU** Краткое руководство
- ZH-CN** 快速指南
- ZH-TW** 快速指南
- KO** 빠른 가이드
- JA** クイックガイド

English

Deutsch

Français

Español

Português

Italiano

Русский

简体中文

繁體中文

한국어

日本語

Contents



Introduction	3
About this manual	3
Included items.....	4
Separately sold items.....	4
Available manuals	5
Available utility software.....	5
Updating the firmware.....	5
Controls and connectors	6
Front panel.....	6
Rear panel	7
Remote control.....	8
Connections and setup.....	9
Sample setups	9
Power supply	11
Inserting/replacing the remote control batteries	11
Pairing the device and remote control.....	12
Specifying the necessary settings for using your own computer/smart device	13
Installing the DisplayLink® driver.....	13
Selecting the device on the computer.....	13
Configuring the device from a TV screen (on-screen display menu)	14
Using the settings menu	14
Installing the terminal cover.....	15
Installing the table stand	15
Installing the wall mounting bracket	16
Installing on a wall	16
Installing the monitor mounting bracket (VESA)	17
Returning to factory default settings (factory reset).....	21
Main specifications	21

Introduction

Thank you for purchasing the Yamaha CS-800. This product is a video conferencing system for holding remote conferences in huddle spaces and meeting rooms. It can be used as an audio/video device in combination with your unified communications setup. For comfortable remote collaboration, this device is equipped with a high-quality camera, microphone and speaker.

About this manual

- This Manual uses the following signal words for the important information:

 WARNING	This content indicates “risk of serious injury or death.”
 CAUTION	This content indicates “risk of injury.”
NOTICE	Indicates content that you must observe in order to prevent the product from malfunctioning, being damaged, or operating incorrectly, and to avoid data loss.
IMPORTANT	Indicates content that you must know in order to operate and use the product correctly.
NOTE	Indicates information that is related to operation and use. Read this for your reference.

- The illustrations as shown in this manual are for instructional purposes only.
- The company names and product names in this manual are the trademarks or registered trademarks of their respective companies.
- Yamaha continuously makes improvements and updates to the software included in this product. You can download the latest software from the Yamaha website.
- The contents of this manual apply to the latest specifications as of the publishing date. To obtain the latest manual, access the Yamaha website then download the manual file.

Included items

- CS-800 (device)
- Read this first
- Safety Guide
- Quick Guide (this manual)
- USB 2.0 cable (Type C-A, 5 m)
- HDMI cable (2 m)
- Remote control
- Lens cap
- Terminal cover
- Coin battery (CR2032) × 2
- AC adaptor with power cord (CW2002100)
- Table stand
- Wall mounting bracket
- Screws
 - Terminal cover screw (2.5 mm × 8 mm) × 2
 - Hexagonal screw (M3 × 6 mm) for table stand × 2
 - Hexagonal screw (M3 × 8 mm) for wall mounting bracket × 1
- Hexagonal wrench

Separately sold items

- Monitor mounting bracket (mounting accessory) BRK-TV1
This is required for installing the device onto the VESA mount of a TV.
- USB cables: CBL-L10AC (10 meters), CBL-L25AC (25 meters)
These are fiber optic USB cables. They are used when the device and computer are separated. These support USB 3.2 Gen2 (Super Speed Plus) and can communicate at high speeds up to 10 Gbps.

NOTE

The VESA standards are international standards that define the spacing between screw holes used when attaching video equipment, such as TVs, to wall mounts and TV stands.

Available manuals

The manuals for this product can be downloaded in the PDF format from the following website.

U.S.A. and Canada

<https://uc.yamaha.com/support/>

Other Countries

<https://download.yamaha.com/>

- **Read This First (included)**
This describes what to do first after purchasing the product.
- **CS-800 Safety Guide (included)**
This contains the precautions for using this product safely.
- **CS-800 Quick Guide (this manual, included)**
This provides mainly basic information for using this product, such as part names, installation procedures, and setup operations, as well as details on where to obtain other related information.
- **CS-800 User's Guide**
This provides detailed information for using this product. It also explains how to use the Yamaha CS Manager on your computer to configure and operate the device.

Available utility software

Optional utility software is available for this product. For detailed information on this software, refer to the CS-800 User's Guide.

- **Yamaha CS Manager**
This is software that allows you to configure and operate the device from your computer.

Updating the firmware

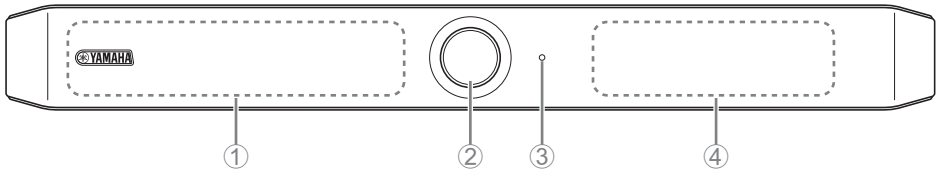
This product is designed to allow the firmware of the device to be updated in order to improve operability, add functions and fix problems.

Information on updating the firmware is available on the Yamaha website.

For details on the updating procedure and device settings, refer to the CS-800 User's Guide.

Controls and connectors

Front panel



① Microphone

② Camera

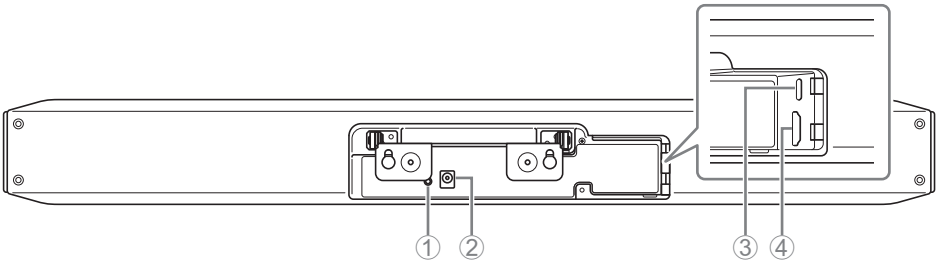
③ Status indicator

Indicates the status of the device.

Indicator state		Device status
White (lit)		Standby
Light blue (lit)		Camera operating
Green (lit)		During a call
Red (lit)		Microphone muted
White (flashing)	0.361 time/sec	Starting
Unlit		Turned off; power-saving standby
White (flashing)	0.3 time/sec	Monitoring off
Orange (flashing)	1 time/sec	Factory reset; activation of HDMI function/ DisplayLink function/Bluetooth
Blue (flashing)	1 time/sec	Pairing with the remote control or smart device
Blue (lit)	3 seconds	Completion notification of remote control pairing
Green (flashing)	2 times/sec	Receiving a call
Red (flashing)	2.5 times/sec	Hardware error

④ Speaker

Rear panel



① [FUNCTION] button

Can be used to pair the device with the remote control (page 12) or to return the device to its factory default settings (page 21).

② [DC-IN] jack

Connect the AC adaptor here. After connecting the AC adaptor to the [DC-IN] jack on the rear panel, insert the power plug into an electrical outlet.

Connecting the AC adaptor turns on the device.

③ [USB] port (Type C)

This port is for connecting the device to a computer.

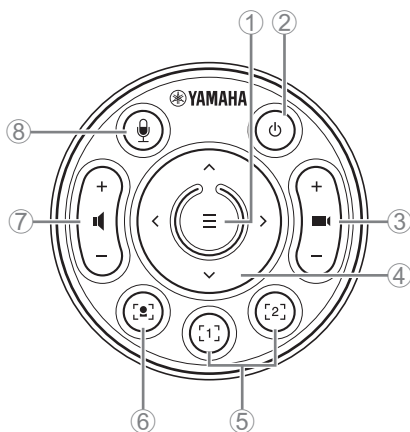
This enables displaying the computer screen and configuring the device. Use the included USB cable (Type C-A) for this connection. For details on the device settings, refer to the CS-800 User's Guide.

④ [HDMI] port

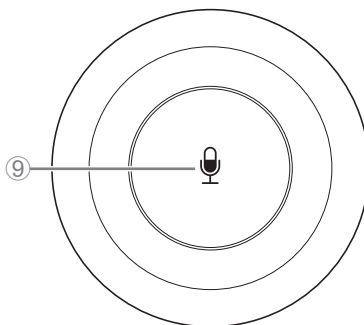
This port is for connecting the device to a TV.

This allows the TV to display the screen of the computer connected to the [USB] port and the device's on-screen display.

Remote control



Top



Bottom

① Menu button

Can be used to display the menu on the TV or pair the device with the remote control (page 12).

② Power button

Used to turn the CS-800 on/standby.

③ Camera zoom button

④ Pan/tilt button

⑤ Camera preset 1 & 2 buttons

⑥ Smart framing button

⑦ Speaker volume buttons

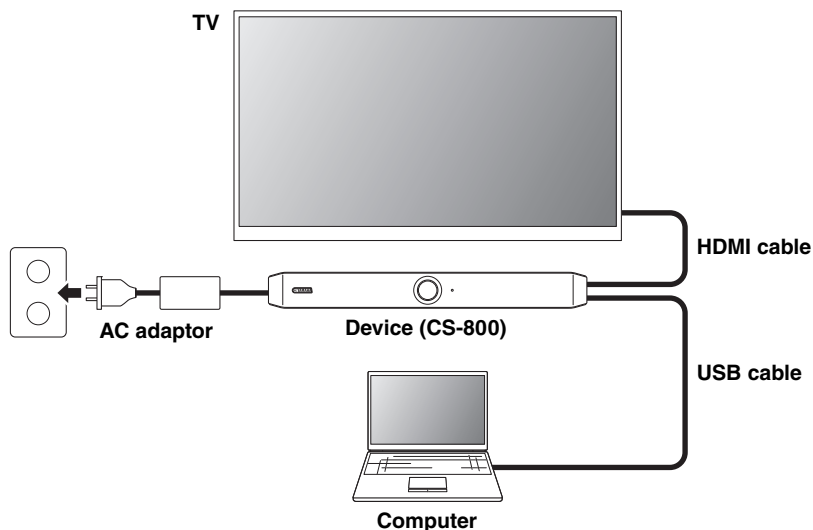
⑧ ⑨ Microphone mute button

Connections and setup

Sample setups

■ When bringing your own PC

Use this setup in an environment where a computer will be brought to the location where the video conference is held.



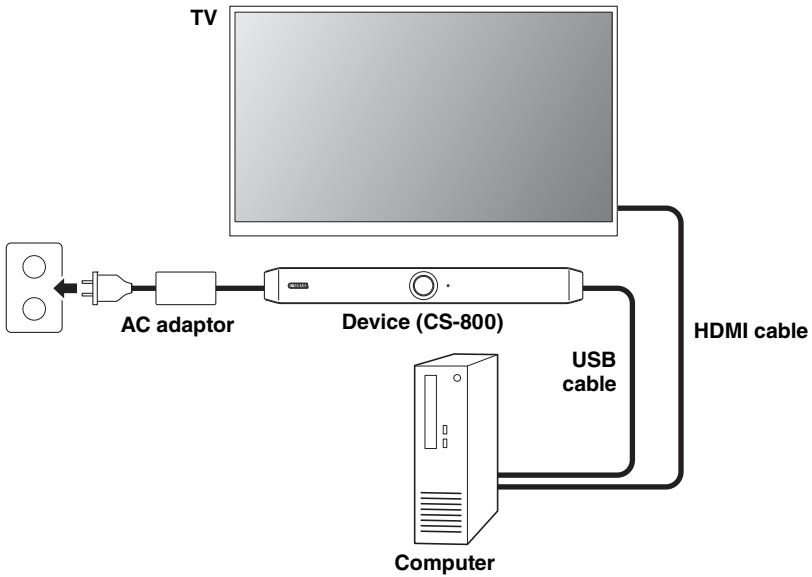
Connect one end of the included HDMI cable to the [HDMI] port on the device, and connect the other end to the TV.

Connect one end of the included USB cable to the [USB] port on the device, and connect the other end to the computer.

Connections and setup

■ When using the meeting room PC

Use this setup in an environment where a computer or tablet dedicated to video conferencing is set up at the location where the video conference is held.

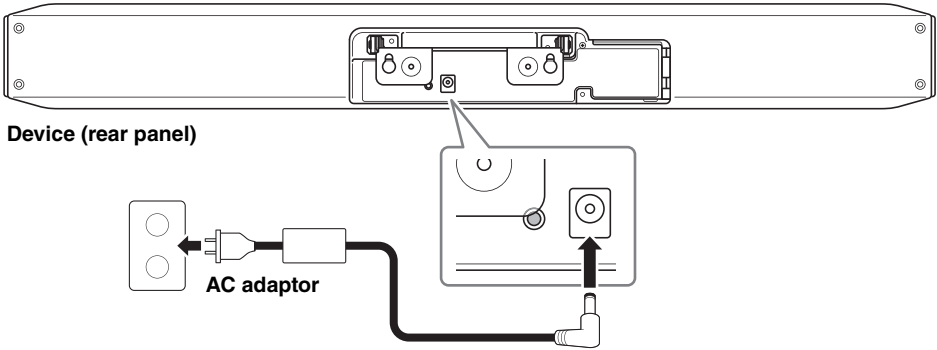


Connect one end of the included HDMI cable to the computer, and connect the other end to the TV.

Connect one end of the included USB cable to the [USB] port on the device, and connect the other end to the computer.

Power supply

Connect one end of the AC adaptor to the [DC-IN] jack on the device, and connect the other end to an electrical outlet.

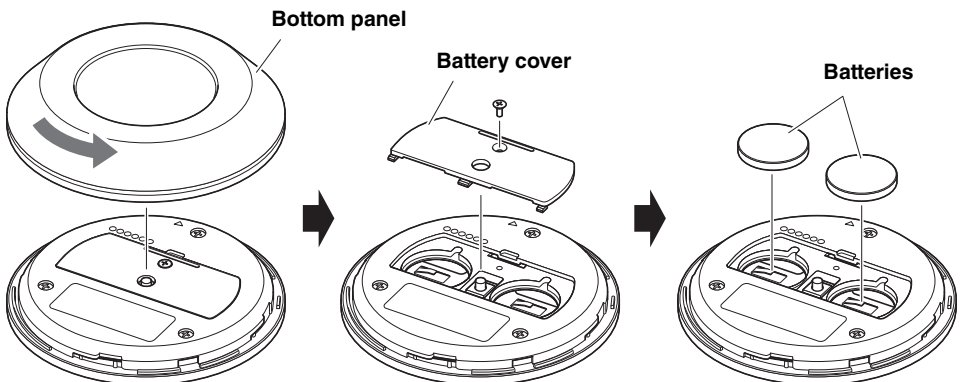


Connecting the AC adaptor turns on the device.

NOTE

After the power supply has been connected, the device can be turned on or set to standby with the power button on the remote control.

Inserting/replacing the remote control batteries

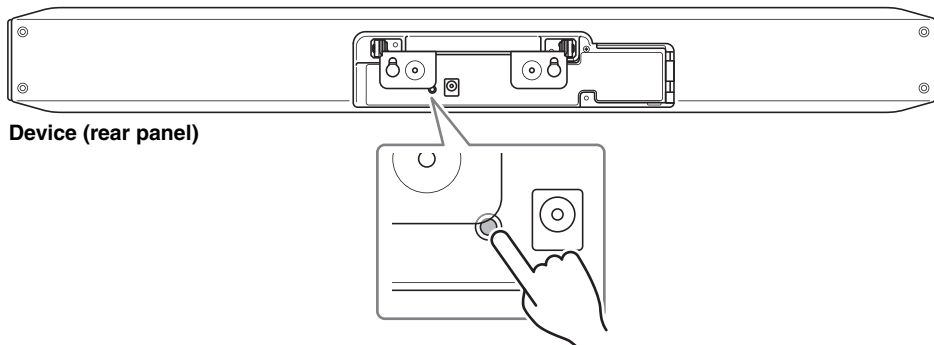


Remove the bottom panel and battery cover, and then insert two batteries (CR2032).

Pairing the device and remote control

In order to operate the device with the remote control, follow the procedure below to pair them.

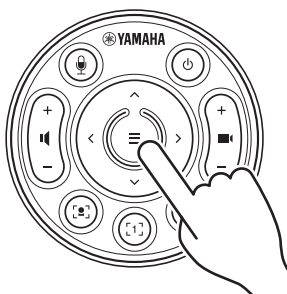
- 1. Long-press the [FUNCTION] button (on the rear panel of the device) for at least 2 seconds.**



Device (rear panel)

The status indicator on the front panel of the device flashes in blue.

- 2. Long-press the menu button on the remote control for at least 2 seconds.**

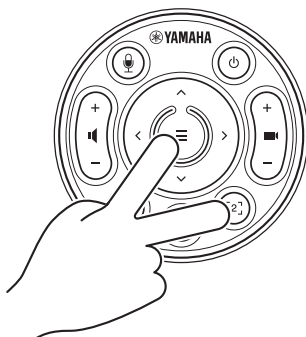


Pairing is finished after the status indicator on the front panel of the device lights up in blue for 3 seconds.

Specifying the necessary settings for using your own computer/smart device

Activation of the HDMI function/DisplayLink function/Bluetooth is necessary in order to use your own computer/smart device.

Long-press the menu button and camera preset 2 button on the remote control for at least 3 seconds.



Configuration is finished after the status indicator on the front panel of the device flashes in orange five times at a 0.5-second interval.

Installing the DisplayLink® driver

When using your own computer (page 9), it may be necessary to install the DisplayLink driver, depending on the connected computer.

Download the latest driver from displaylink.com/downloads.

Selecting the device on the computer

On your computer, select “Yamaha CS-800” as the default audio playback/recording device. Also, in your unified communications application, select CS-800 as the video/audio device.

Configuring the device from a TV screen (on-screen display menu)

The on-screen display menu is a feature that displays the device's settings menu on a TV screen. It can be operated with the remote control.

NOTE

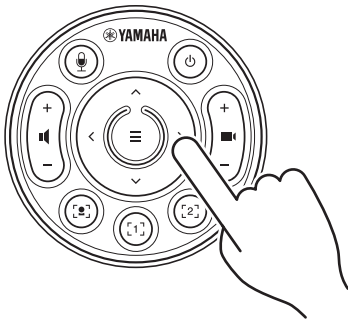
- This function can be used in a setup where the TV is connected to the CS-800 by using the HDMI cable. It cannot be used in a setup where the TV is connected to the computer by using the HDMI cable.
- In order to use this function, first follow the procedure in “Specifying the necessary settings for using your own computer/smart device” (page 13).

Using the settings menu

1. Press the menu button on the remote control.

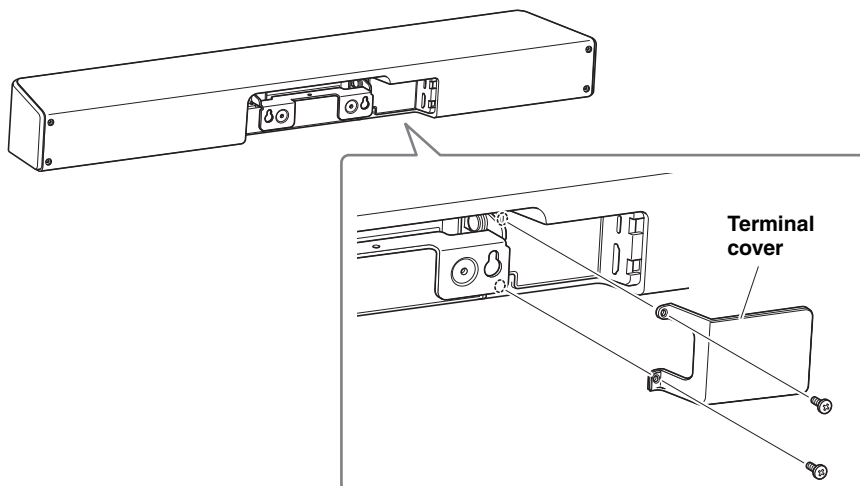
The settings menu appears on the TV.

2. Navigate with the pan/tilt button on the remote control.



Installing the terminal cover

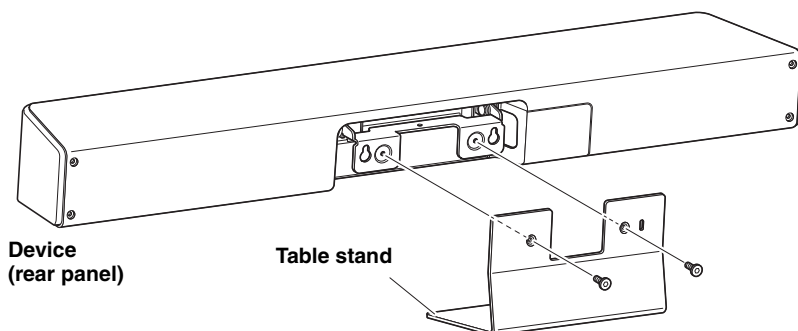
Attach the terminal cover to the device by using the included screws.



Installing the table stand

Attach the included table stand to the device.

1. Attach the table stand to the device by using the included screws.



Installing the wall mounting bracket



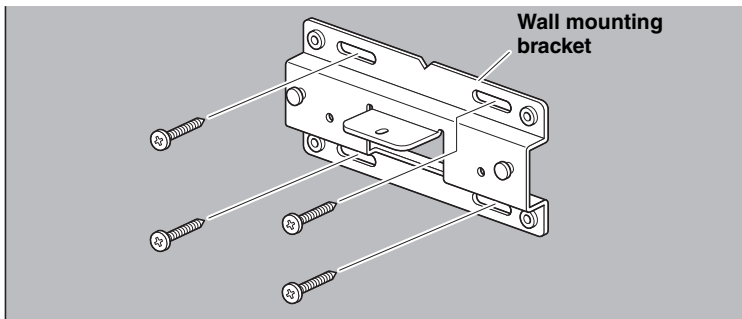
WARNING

- Be sure to have the mounting bracket installed by the dealer where you purchased the product or a professional contractor.
- After installation, make sure that the CS-800 is firmly secured. Also, regularly check that there is no possibility of the device falling or tipping over. We cannot be held responsible for accidents caused by incorrect installation.
- After installation, do not lean against the CS-800 or apply a strong force to it from above. If the device falls, injuries or damage may result.

Installing on a wall

This device can be mounted on a wall by using the included wall mounting bracket.

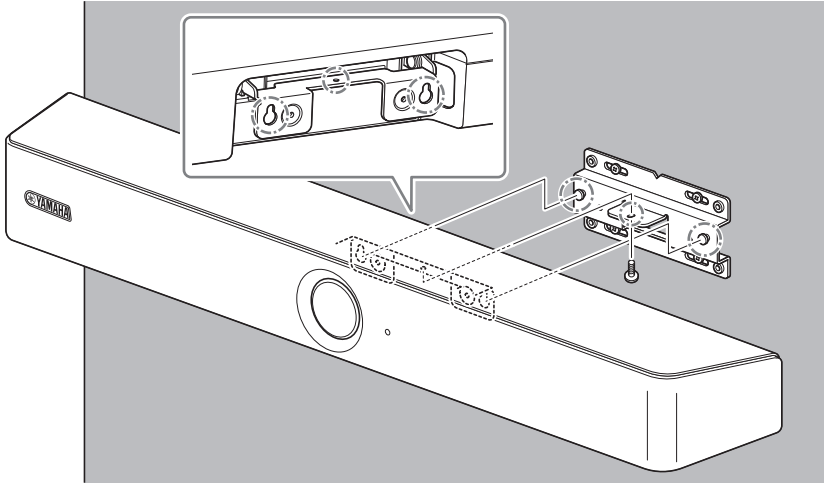
1. Attach the wall mounting bracket to the wall.



IMPORTANT

- Screws for attaching the wall mounting bracket to the wall are not included. Prepare screws that are strong enough.
- For details on screws and the installation, be sure to contact the dealer where you purchased the product or a professional contractor.

2. Hang the device on the bracket installed in step 1.

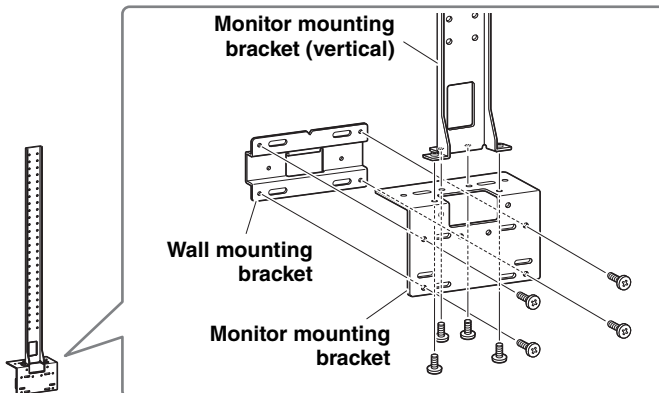


3. From the underside of the wall mounting bracket, secure the device by using the included screw.

Installing the monitor mounting bracket (VESA)

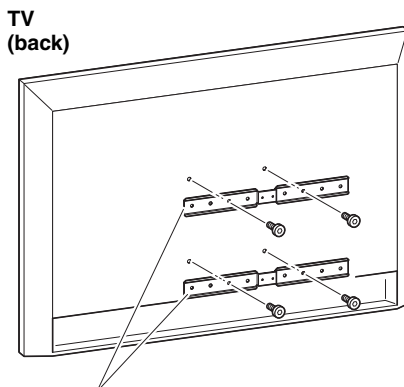
Attach the device to a TV by using monitor mounting bracket BRK-TV1 (sold separately). The following is an example of an installation that uses the screw holes in the TV and a TV stand.

1. Attach the monitor mounting bracket (vertical), monitor mounting bracket (for mounting onto wall mounting bracket) and the wall mounting bracket using the screws included with them.



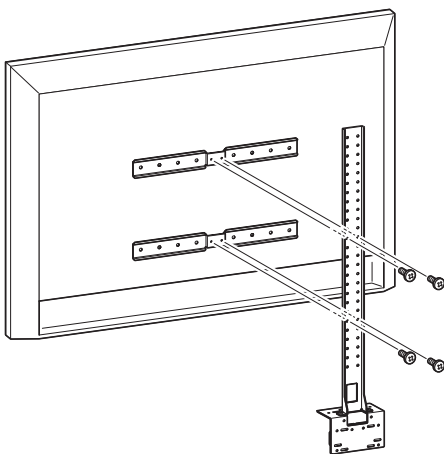
Installing the wall mounting bracket

2. Attach the two monitor mounting brackets (horizontal) to the TV by using the included screws.



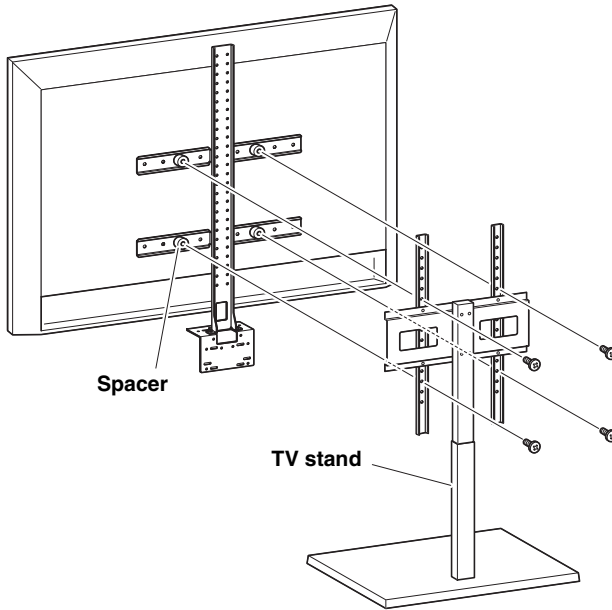
Monitor mounting bracket (horizontal)

3. Attach the brackets assembled in step 1 to the brackets installed in step 2.



IMPORTANT

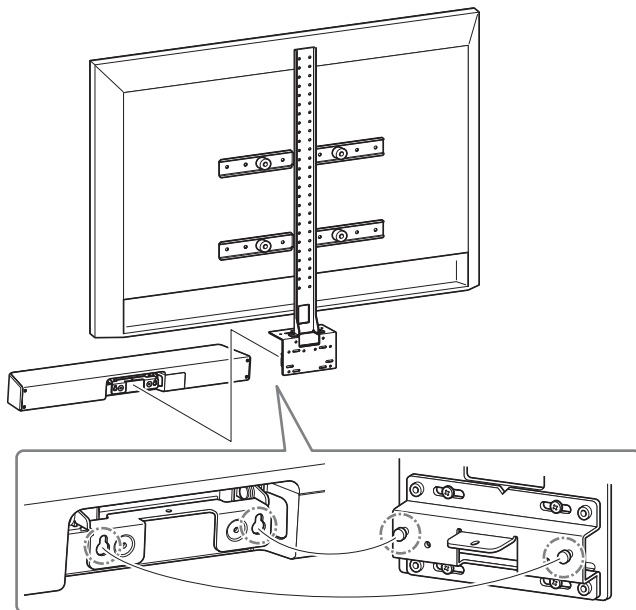
Choose the appropriate mounting position for the TV.

4. Attach to a TV stand.***IMPORTANT***

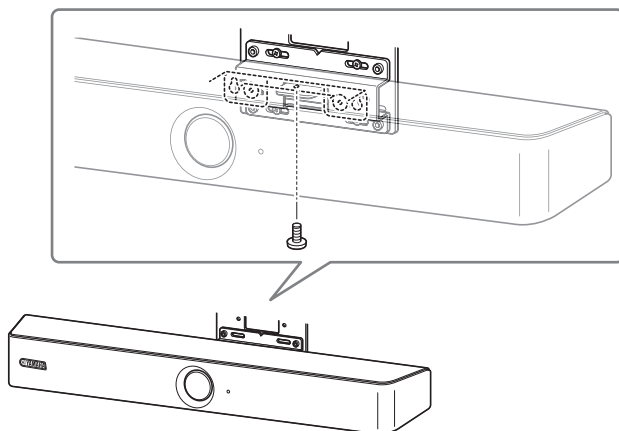
Depending on the configuration of the TV stand, also tightly secure the spacers included with monitor mounting bracket BRK-TV1 (sold separately).

Installing the wall mounting bracket

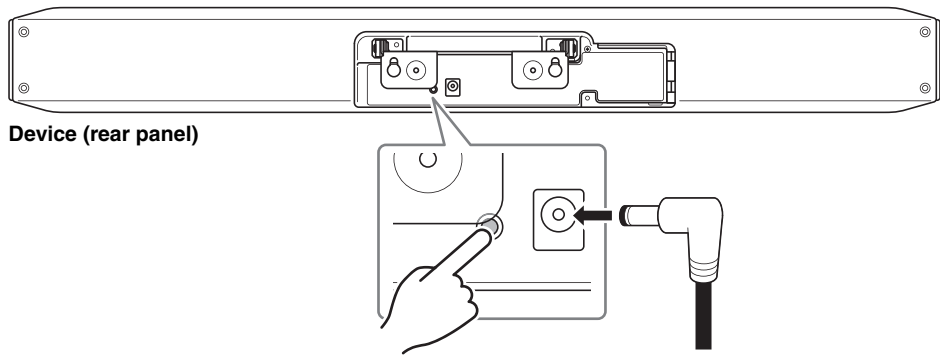
5. Hang the device on the wall mounting bracket installed in step 1.



6. From the underside of the device, secure it by using the included screw.




Returning to factory default settings (factory reset)



To return the device to its factory default settings, start the device by connecting the power cable while holding down the [FUNCTION] button. After connecting the power cable, keep the [FUNCTION] button pressed for at least 5 seconds. When the status indicator on the front panel of the device changes from flashing orange to lit white, the device has been returned to its factory default settings.

Main specifications

Dimensions		620 mm (W) × 90 mm (D) × 70 mm (H)
Weight		1.7 kg
Power supply		20 V DC/2.1 A, CW2002100 (100 V – 240 V, 50 Hz/60 Hz) 
Maximum power consumption		42 W
Temperature	Operating	0 °C – 40 °C
	Storage	–20 °C – 60 °C
Humidity	Operating	20% – 85% (non-condensing)
	Storage	20% – 85% (non-condensing)
Included items		CS-800 (device), Read this first, Safety Guide, Quick Guide (this manual), USB 2.0 cable (Type C-A), HDMI cable, lens cap, terminal cover, remote control, coin battery (CR2032) × 2, AC adaptor with power cord (CW2002100), table stand, wall mounting bracket, mounting screws, hexagonal wrench
Separately sold items		Monitor mounting bracket (VESA mounting accessory) BRK-TV1, fiber optic USB cables CBL-L10AC & CBL-L25AC