

Features

- Mount kit for mounting the Remote Conference Processor RM-CR in a 19-inch rack (EIA standard/1U size).

Specifications

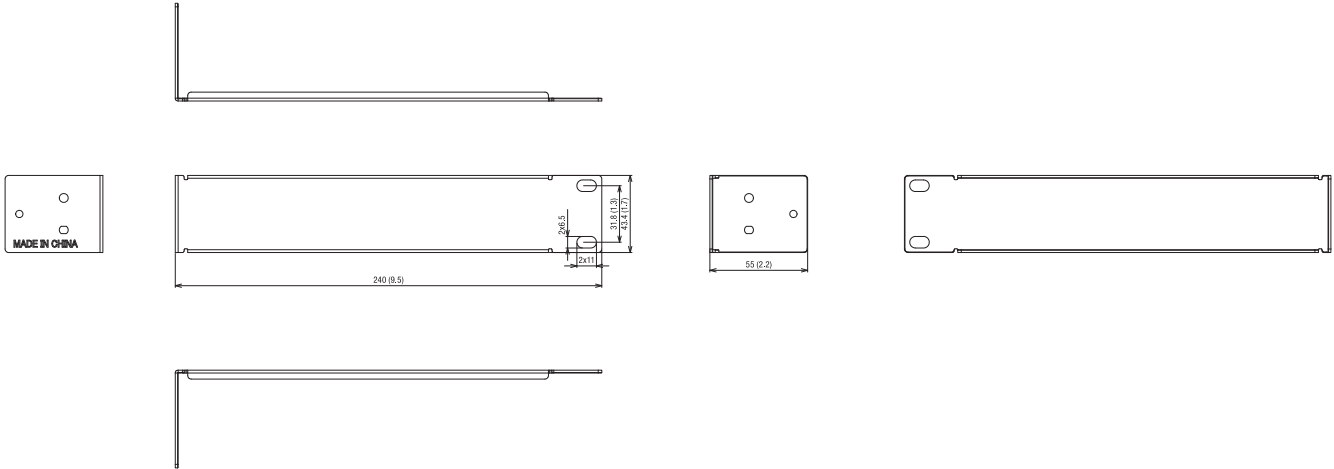
General Specifications

Description	Mounting Accessory
Dimensions (W x D x H)	Rack Angle L: 240.0mm x 55.0mm x 43.4mm Rack Angle S: 25.0mm x 55.0mm x 43.4mm
Weight	Rack Angle L: 170g Rack Angle S: 40g
Accessories	2 x Spacer sheet, 4 x Screw (M4 x 10mm)

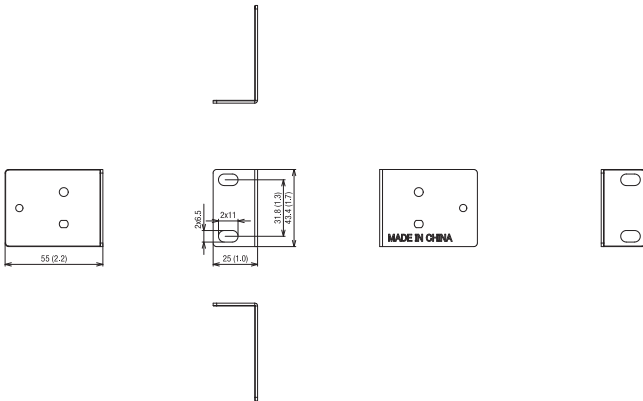
Dimensions

Rack Angle L

Unit: mm (inch)



Rack Angle S



YAMAHA CORPORATION

© 2020 Yamaha Corporation. All rights reserved.
 Product features and specifications are subject to change without notice by Yamaha.
 All other product and company names and logos that appear in this leaflet are trademarks or registered trademarks of their respective owners.

DS-RM-MRK-20201119-EN