

**Technical Specifications**

**General Specifications**

Model		VXL1(B/W)-24	VXL1(B/W)-16	VXL1(B/W)-8
Speaker type		Full-range, Bass reflex		
Component		1.5" (3.75 cm) Cone × 24	1.5" (3.75 cm) Cone × 16	1.5" (3.75 cm) Cone × 8
Coverage (-6 dB)		Horizontal: 170° Vertical: NORMAL: 15° (+7.5° - -7.5°), WIDE: 20° (+7.5° - -12.5°)	Horizontal: 170° Vertical: NORMAL: 25° (+12.5° - -12.5°), WIDE: 30° (+12.5° - -17.5°)	Horizontal: 170° Vertical: 40° (+20° - -20°)
Effective coverage (-10 dB)		Horizontal: 180° Vertical: NORMAL: 25° (+12.5° - -12.5°), WIDE: 35° (+12.5° - -22.5°)	Horizontal: 180° Vertical: NORMAL: 30° (+15° - -15°), WIDE: 45° (+15° - -30°)	Horizontal: 180° Vertical: 65° (+32.5° - -32.5°)
Nominal impedance		8Ω	12Ω	16Ω
Power rating	NOISE	110 W	80 W	40 W
	PGM	220 W	160 W	80 W
	MAX	440 W	320 W	160 W
Sensitivity (1 m/1 W)*1, *2		91 dB SPL (91 dB SPL: with port cover)	91 dB SPL (90 dB SPL: with port cover)	89 dB SPL (88 dB SPL: with port cover)
Maximum SPL*3		117 dB SPL (1 m)	116 dB SPL (1 m)	111 dB SPL (1 m)
Frequency range (-10 dB)*1		77 Hz - 20 kHz	81 Hz - 20 kHz	70 Hz - 20 kHz
	(With port cover)	98 Hz - 20 kHz	108 Hz - 20 kHz	110 Hz - 20 kHz
Connector		Euroblock (2 pin) × 2 (input: +/-) Max. wire size AWG12 (3.5 sq)		
Vertical coverage selector		NORMAL/WIDE		-
Overload protection		Full-range power limiting to protect network and transducers		
Magnetically shielded		No		
Dust and water resistant		IP34 (with port cover: IP35)		IP33 (with port cover: IP35)
Enclosure	Cabinet material	VXL1B-24/16/8: Aluminum extrusion cabinet, black VXL1W-24/16/8: Aluminum extrusion cabinet, white		
	Top/Bottom board material	ABS(UL94-5VB)		
Metal grille		Perforated aluminum (t=1.0 mm) Aperture ratio: 55%		
Finish		VXL1B-24/16/8: Black painting (approximate value: Munsell N3.0) VXL1W-24/16/8: White painting (approximate value: Munsell N9.0)		
Dimensions (W × H × D)	Speaker only	54 × 1212 × 104 mm	54 × 846 × 104 mm	54 × 480 × 104 mm
	With included bracket	54 × 1212 × 111.5 mm	54 × 846 × 111.5 mm	54 × 480 × 111.5 mm
Net weight	Speaker only	5.5 kg	3.9 kg	2.1 kg
Packaging		Packaged in 1 pc		

\*1 : Half-space (2 π)

\*2 : Measured at 2 m; value converted to 1 m is shown (frequency range: 100 Hz - 10 kHz)

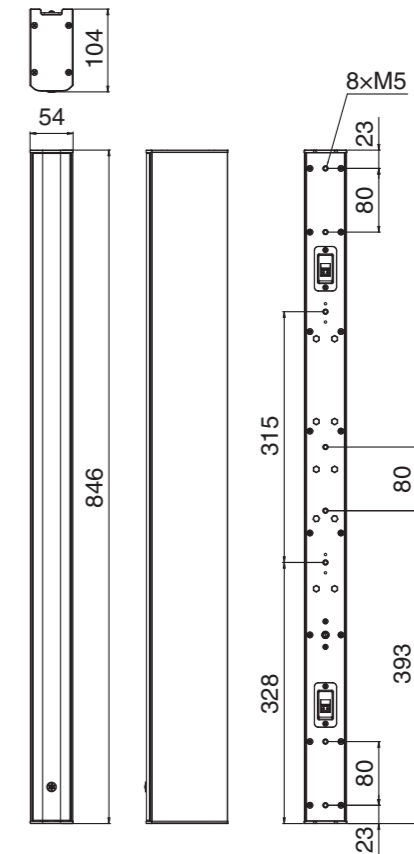
\*3 : Calculated based on power rating and sensitivity, exclusive of power compression.

**Dimensions**

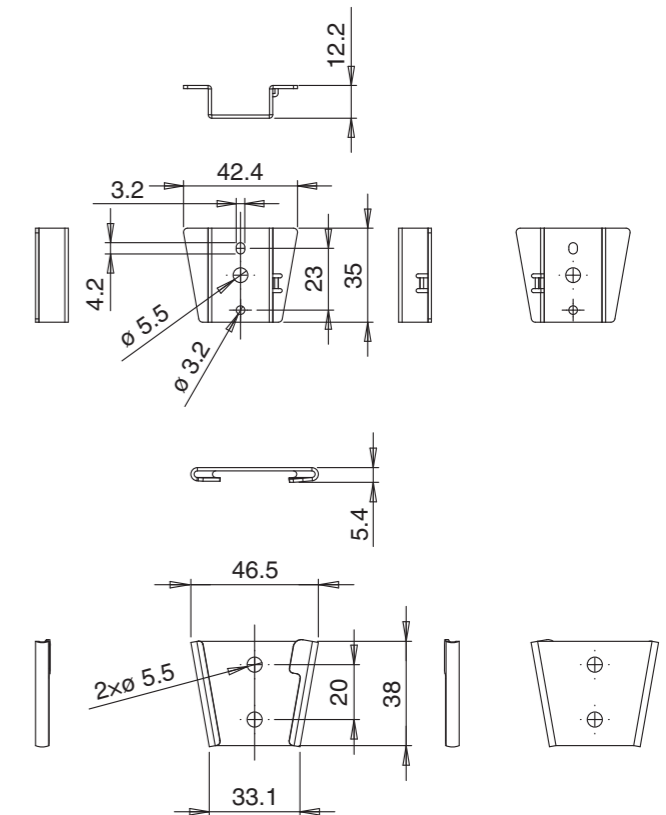
**VXL1(B/W)-24**



**VXL1(B/W)-16**

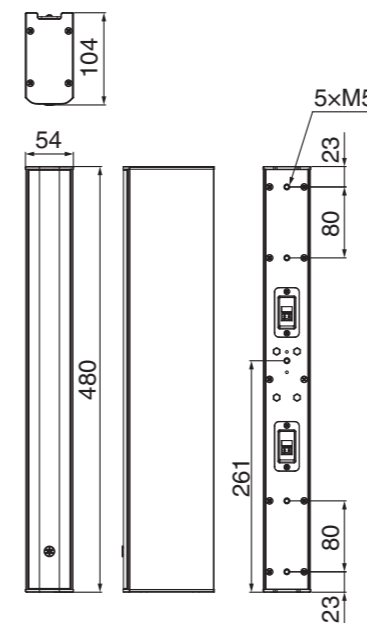


**Mount Bracket**



Unit: mm

**VXL1(B/W)-8**



\* The contents of this manual apply to the latest specifications as of the publishing date. To obtain the latest manual, access the Yamaha website then download the manual file.

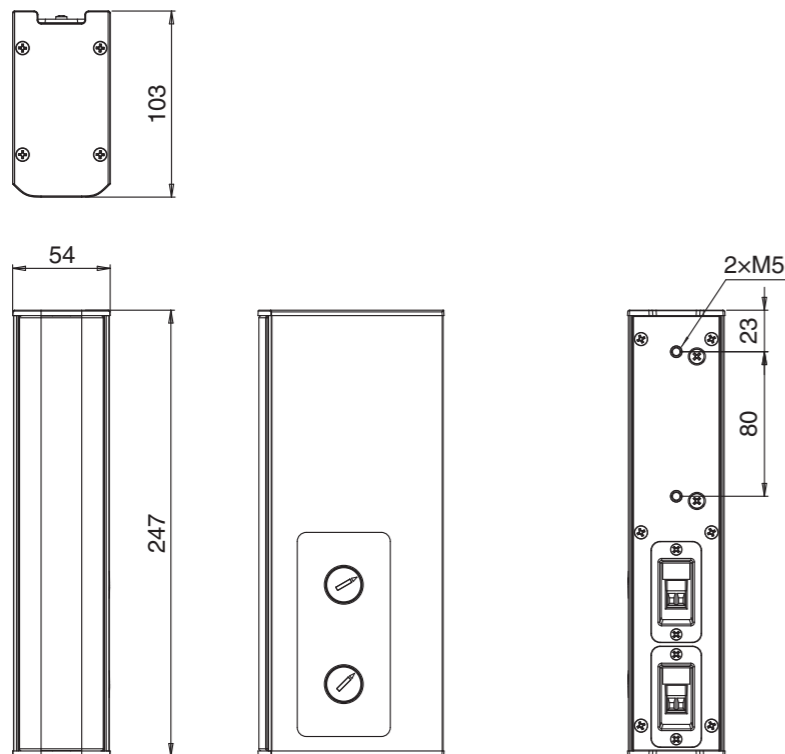
**General Specifications**

Model	ST-L1(B/W)	
Supported speaker	VXL1(B/W)-24/16/8	
Transformer taps	100 V	60 W, 30 W, 15 W
	70 V	60 W, 30 W, 15 W, 7.5 W
Speaker selector	VXL1(B/W)-24	
	VXL1(B/W)-16	
	VXL1(B/W)-8	
Dust and water resistant	IP35	
Dimensions (W × H × D)	54 × 247 × 103 mm	
Net weight	1.9 kg	

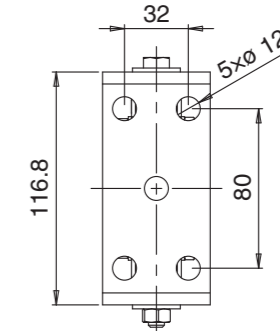
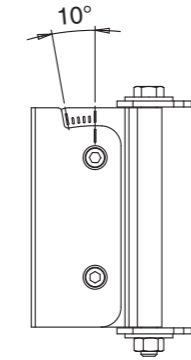
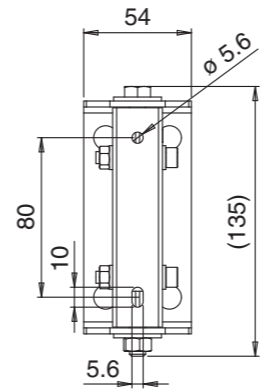
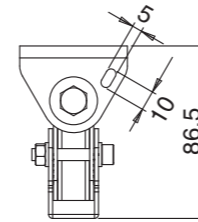
Model	WMB-L1(B/W)	VCB-L1B	VCSB-L1(B/W)	HCB-L1B
Material	Aluminum	Steel	Steel	Steel
Net weight	0.3 kg	0.23 kg	0.4 kg	(L) 0.19 kg (S) 0.06 kg

**Dimensions**

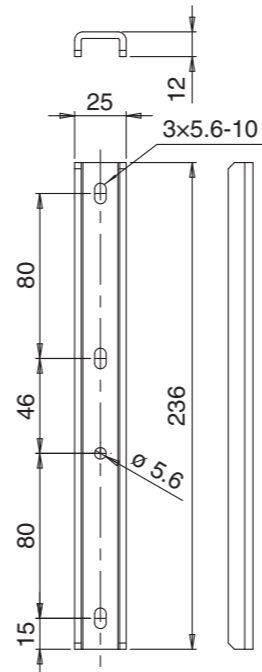
**ST-L1(B/W)**



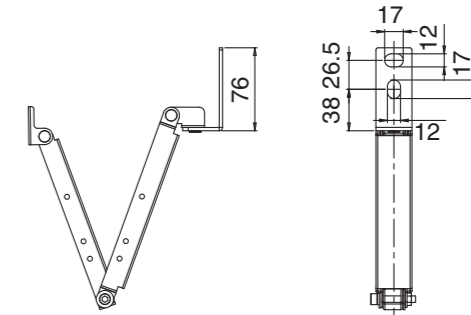
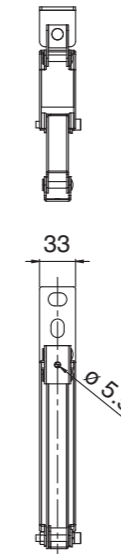
**WMB-L1(B/W)**



**VCB-L1B**

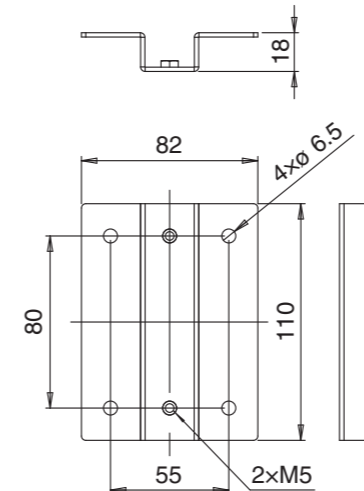


**VCSB-L1(B/W)**

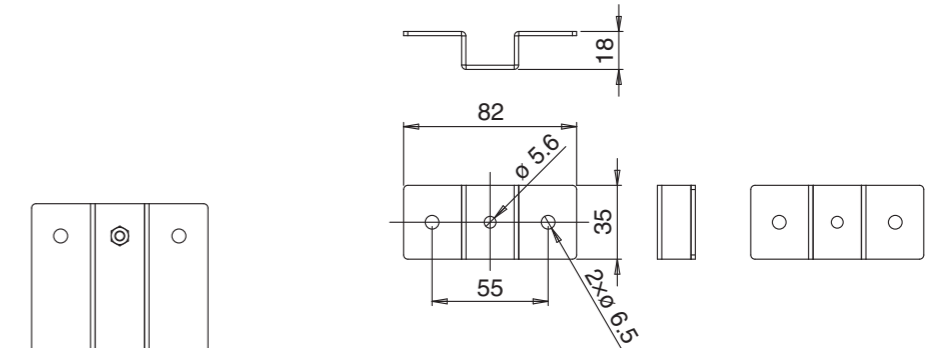


**HCB-L1B**

**Coupling bracket (L)**



**Coupling bracket (S)**



Unit: mm