

Overview

Tabletop array microphone provides a comfortable conference sound environment with no configuration needed.



Features

- Supports network audio standard, “Dante”.
- Auto Voice Tracking allows flexibility of table layout in meeting room and position of participants.
- 6 types of microphone directivity to choose from, depending on the number of participants and meeting style.
- Achieves comfortable sound quality by making full use of adaptive echo canceller, auto gain control, noise reduction, and dereverberation.
- When using Auto Voice tracking, RM-CR automatically selects the microphone that is the nearest to talker to pick up voice.
- Dante audio, control reception and PoE power are connected through a single network cable.
- With included mounting adaptor, the microphone can be fixed on the table.

Specifications

General Specifications

Description	Boundary Microphone	
Colour	Black, White	
Dimensions (W x D x H)	140 mm x 140 mm x 41.5 mm	
Weight	310 g	
Power Requirements	PoE (IEEE 802.3af)	
Maximum Power Consumption	4.5 W	
In Operation	Temperature	0°C - 40°C
	Humidity	30% - 90% (No condensation)
Storage	Temperature	-20°C - 60°C
	Humidity	20% - 90% (No condensation)
Indicator	<ul style="list-style-type: none"> • Mute Indicator (Mute/Unmute) • Status Indicator (Ring) • Network Port Indicator 	
Maximum Device Number with RM-CR	14 (without VXL1-16P, up to 16)	
Accessories	Installation Manual, Table-top mounting adapter, 3 x Screw for mounting, 3 x Spacer	

Network Specifications

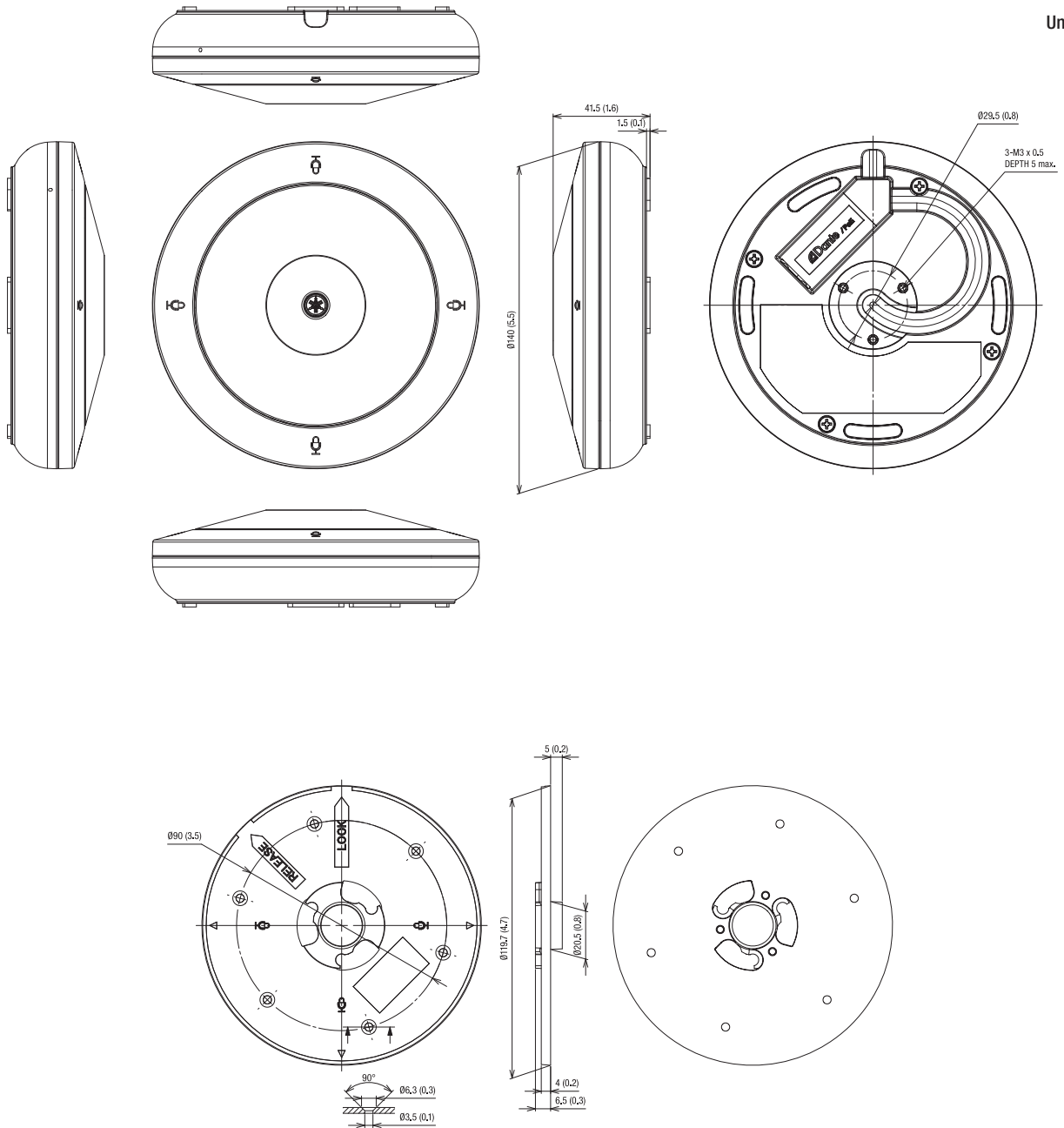
Ethernet	Dante, Remote Control, Web UI, PoE
Cable Requirements	CAT5e or higher (STP)

Audio Specifications

Frequency Response	160 Hz - 16 kHz (-10 dB)	
Sampling Rate	48 kHz	
Bit Depth	24 bit	
Latency (including signal processing)	46 ms (except for toroidal directivity)	
	50 ms (for toroidal directivity)	
Audio I/O	Dante	1 in x 2 out
		In1=AEC reference signal/Out1=output of beam mix, Out2= output of beam mix (simple processed)
Maximum Input Level of SPL (0 dBFS)	106.8 dB SPL	
Self Noise	6.3 dBA SPL	
SNR (Ref. 94 dB SPL at 1 kHz)	87.7 dBA	
Sensitivity	-12.8 dBFS/Pa	
Dynamic Range	100.5 dBA	
Signal Processing	<ul style="list-style-type: none"> • Auto Voice Tracking • Selectable Polar Pattern: Cardioid, Hyper Cardioid, Super Cardioid, Omni, Bi-Directional, Troid • AEC, NR, Dereverberation, Auto Mixer, AGC, User PEQ, Output Gain 	

Dimensions

Unit: mm (inch)

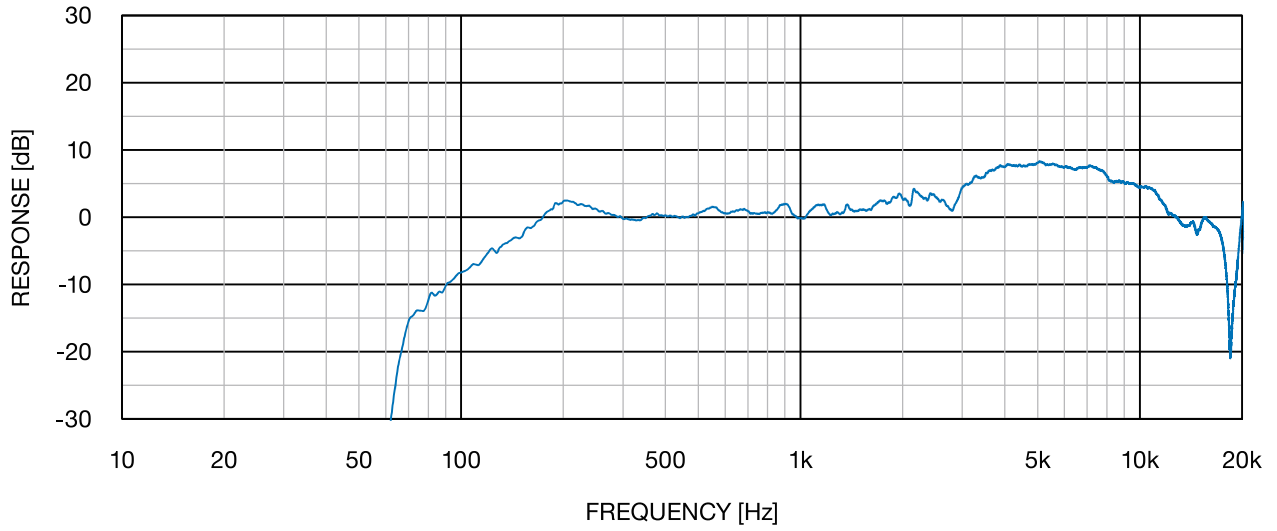


Architectural and Engineering Specifications

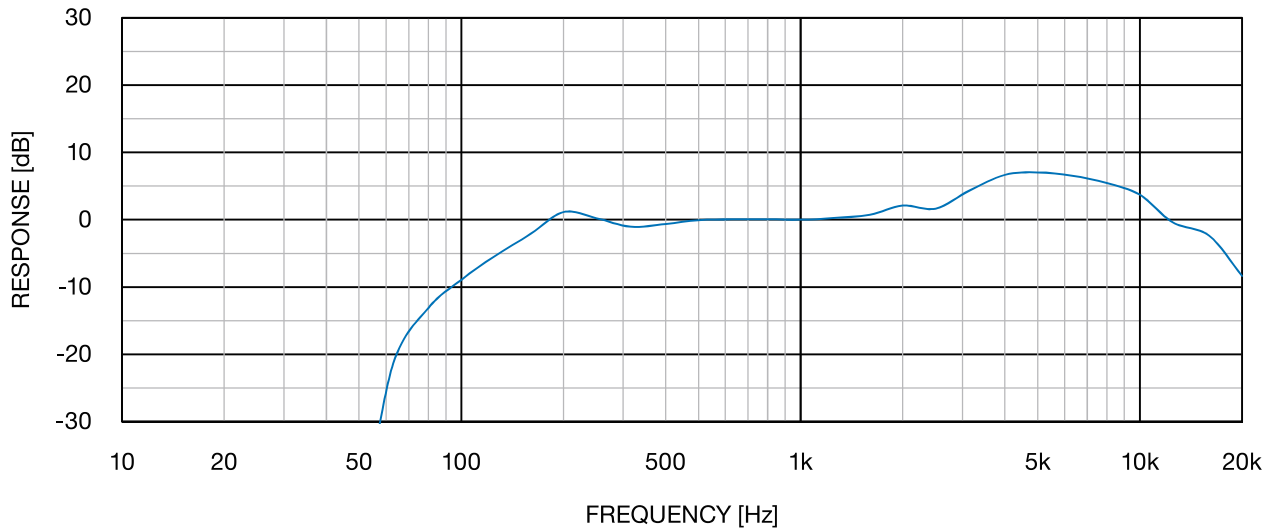
The solution shall be an intelligent tabletop microphone. The tabletop microphone system shall be Dante enabled and PoE powered, requiring only one CAT5e or Cat6 cable for both power and data/audio transmission. The tabletop microphones shall support programmability for several audio pick-up patterns. Audio pick-up patterns shall include omni-directional and a toroid pattern to capture 360 degree around the microphone with toroid reducing sounds from above the microphone. The microphone shall also allow for cardioid, super cardioid, and hyper cardioid pick-up pattern. When selecting any of the cardioid pick-up patterns, up to four independent directions ("channels") shall be available to define per microphone and all four will be active. A predefined bi-directional cardioid pick-up pattern with two lobes opposite to each other shall be available, with free selection of the direction of that pattern. When selecting several active channels, different mixing options shall be offered, including gain-sharing options and all-mix. The tabletop solution shall also offer an Active Voice Tracking setting in which the microphone elements that provide the best audio capture are automatically selected and mixed into the audio output of the microphone. The microphone shall include audio post-processing. This shall include Adaptive Acoustic Echo Cancellation, Noise Reduction, Human Voice Activity Detection, Automatic Gain Control, Automatic mixing of audio signals, dereverberation, and others. An installation mechanism shall be provided to install microphones in a fixed location on surfaces like tables. Each tabletop microphone shall provide an audio signal that was only post-processed using linear algorithms allowing for technology like speech recognition to use the signal without loss of performance. The product shall provide connectivity for third party control systems, allowing to manage microphone and audio behavior from the room control system. The Yamaha RM-TT is specified.

Frequency Response

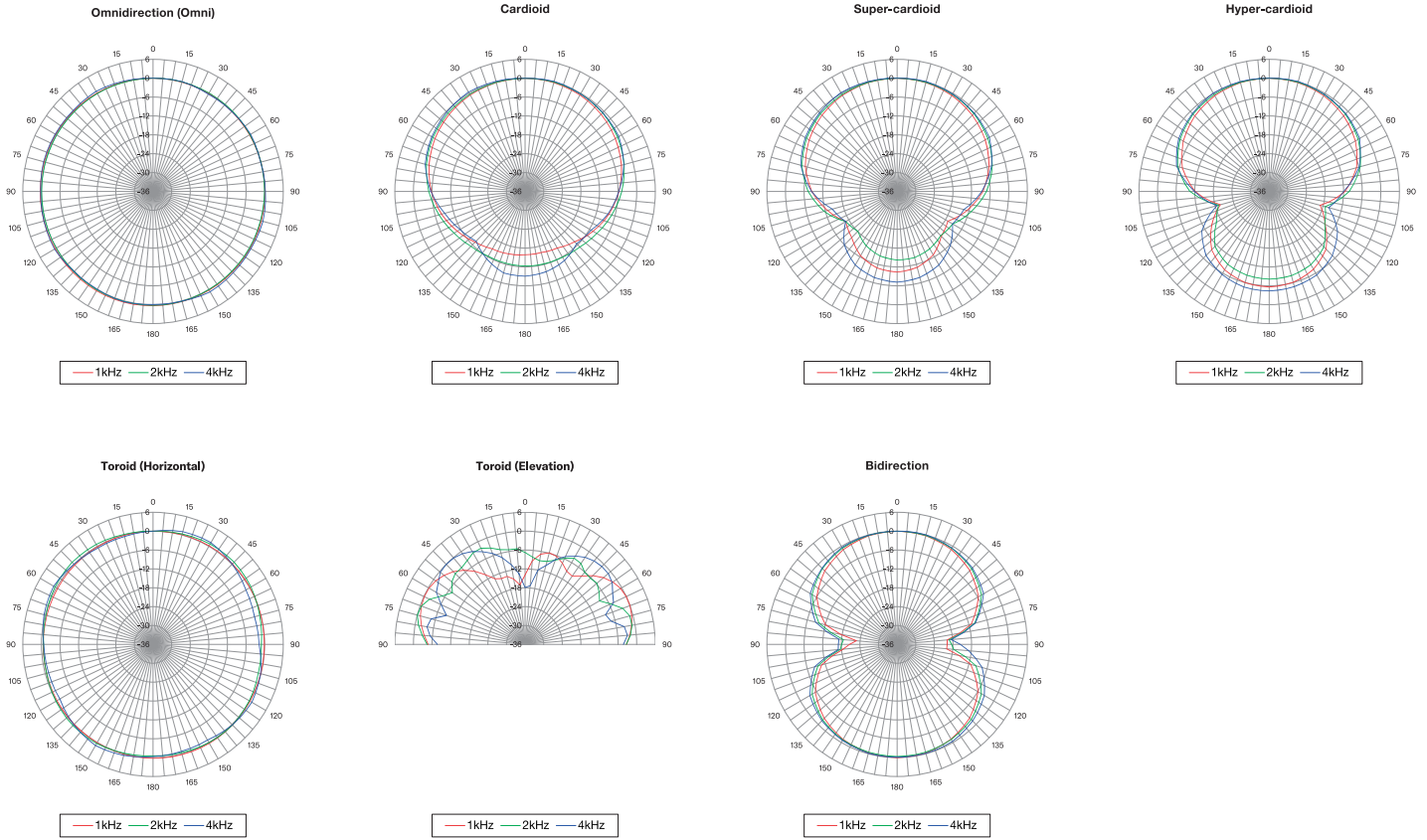
LINEAR



1/3 octave band



Directional Characteristics



*All information subject to change without notice.

*All trademarks and registered trademarks are property of their respective owners.

Created in February, 2022