

# Solenoid Valve Service Magnet



# YELLOW JACKET®

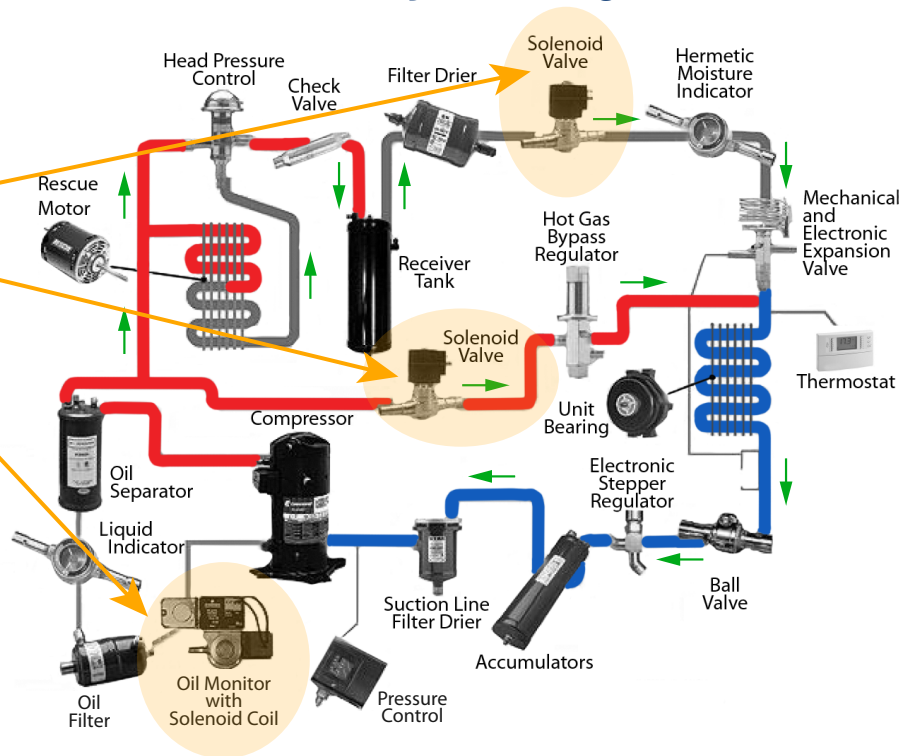
*Fits most common solenoid and 4-way reversing valves*



Solenoid Valve



4-Way Reversing Valve



To optimize recovery, simply remove the solenoid coil from all normally closed valves – refrigerant control valves, hot gas defrost valves, reversing valves, etc. Then apply the YELLOW JACKET solenoid magnet to each valve to speed up recovery and evacuation.

To help isolate solenoid valve issues, remove the coil from the valve and apply the YELLOW JACKET solenoid magnet. If the valve actuates, an electrical or solenoid coil issues is indicated. If the valve actuates but there is no flow, this indicates a plugged valve. No actuation indicates the problem is in the valve body itself.

The YELLOW JACKET® Solenoid Valve Service Magnet is the quickest and easiest way to manually operate solenoid valves. It works by magnetically lifting the stem assembly and plunger to actuate the valve during service.

## Test and Control

Use this solenoid service magnet to test, troubleshoot, or manually activate and control a direct connected or pilot operated 2-way solenoid, 3-way reclaim or 4-way reversing valve typically found in a reverse cycle air conditioner or heat pump.

## Recovery and Evacuation

This magnet can also be used to hold a solenoid valve open during recovery and evacuation so the entire system can be accessed.

## Other Uses

- Use in place of the power head on a hot water oil shutoff valve to eliminate the need to wait for the delay on open.
- Use it to temporarily replace faulty coil to open solenoid valve.
- Use it to turn the power on or replace the solenoid if it's bad.

## SPECIFICATIONS

Opening: 0.75 in. (18 mm); fits most common manufactured valves including reversing valves.  
 Diameter: 1.5 in.  
 Length: 1.6 in.

UPC #	Description
61192	Solenoid Service Magnet



Phone: (800)769-8370 or  
 (952)943-1333  
 e-mail: [custserv@yellowjacket.com](mailto:custserv@yellowjacket.com)  
[www.yellowjacket.com](http://www.yellowjacket.com)

Ritchie Engineering Co., Inc.  
 YELLOW JACKET Products Division  
 10950 Hampshire Avenue South  
 Bloomington, MN 55438-2623 USA