

ZW2-SERIES ELECTRIC PUMPS

SPEC SHEET



▲ ZW2408EB, Electric Pump

- .75 hp induction motor for long life and quiet operation
- 71 to 75 dBA across the pressure range
- 1.8 gallon, steel hydraulic oil reservoir offers capacity and cool operation for wide range of applications
- IP54 protection
- Heavy duty bearings extend pump life by reducing heat, improving lubrication and reducing wear
- Replaceable piston check valves increase service life of major pump components
- VE32D solenoid dump valve model available
- Pendant and manual control options for ease of use

**Durable, reliable,
easy to use**



Gauges

Enerpac offers a complete line of high-quality hydraulic gauges. To ensure the integrity of your system, specify only a genuine Enerpac gauge.



ZW2-SERIES ELECTRIC PUMPS



ZW2-Series, Electric Pumps

The ZW2-Series is part of the proven Enerpac ZW-Series and utilizes many of the same design elements as the larger pumps in the family.

The .75 HP induction motor enables productive flow rates, long cycle life and quiet operation. Combined with the efficient, robust and easy to service

pumping element the ZW2 is ideal for manufacturing and shop environments.

Multiple valve and control options provide the flexibility to match the pump to a wide range of work holding, pressing, punching and other operations.

Compare the ZW2 to the other pumps in the ZW-Series and determine the best pump for the application.

ZW Series



Reservoir Capacity:

1.8 gal.

Flow at Rated Pressure:

40 in³/min.

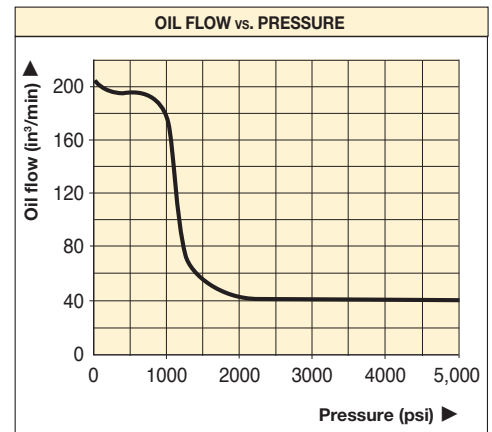
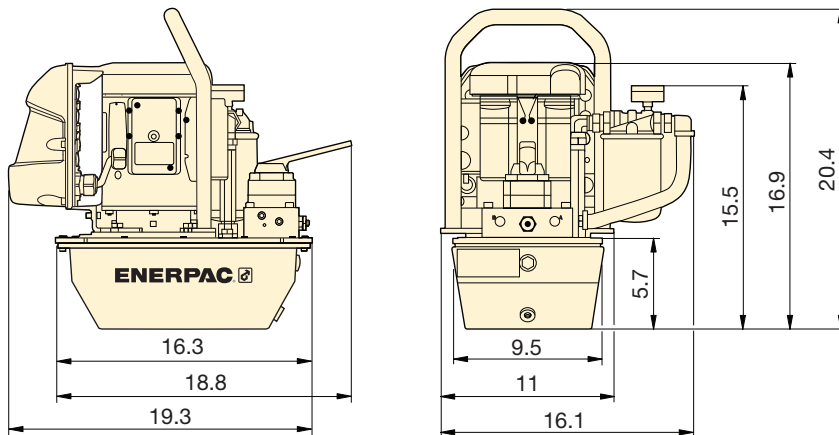
Motor Size:

.75 hp

Maximum Operating Pressure:

5,000 psi

ZW2 with Optional Return Line Filter



Used with Cylinder	Hold	Reservoir Capacity (gal)	Model Number	Output Flow Rate (in ³ /min)		Valve Type	Valve Operation	Motor Voltage (VAC)	Sound Level (dBA)	Motor Size (hp)	Dimensions (in)			Weight With Oil (lbs)
				100 psi	5,000 psi						L	H	W	
S/A		1.8	ZW2108DB ^(1, E)	200	40	VE32D	Solenoid w/ Pendant	115	71-75	.75	19.3	20.4	11	94.8
S/A		1.8	ZW2708MB ^(1, E) 1)	200	40	VM22	Manual w/o Pendant	115	71-75	.75	18.8	20.4	11	84.7
D/A	x	1.8	ZW2408MB ^(1, E) 1)	200	40	VM43	Manual w/o Pendant	115	71-75	.75	18.8	20.4	11	85.5
D/A	x	1.8	ZW2408EB ^(1, E)	200	40	VEV43	Solenoid w/ Pendant	115	71-75	.75	19.3	20.4	11	99.0

S/A = Single Acting, D/A = Double Acting

"B" suffix model numbers shown are 115 VAC, 1-phase, 50/60 Hz, CE compliant

"I" indicates pump is available in 208-240V, 1-phase, 50/60 Hz with NEMA 6/15 plug, CE compliant

"E" indicates pump is available in 208-240V, 1-phase, 50/60 Hz with European plug, CE compliant

All models can be ordered with the following Factory Installed Accessories/Options

F = Return Line Filter

G = 0-15,000 psi gauge (2 1/2")

S = Single stage

1) Models can be ordered with Pressure Switch (P)