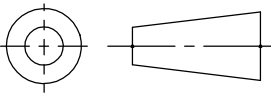


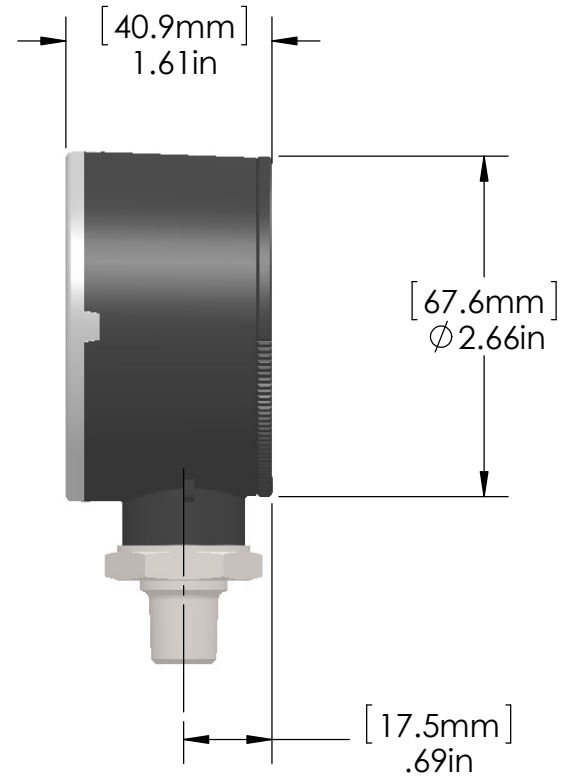
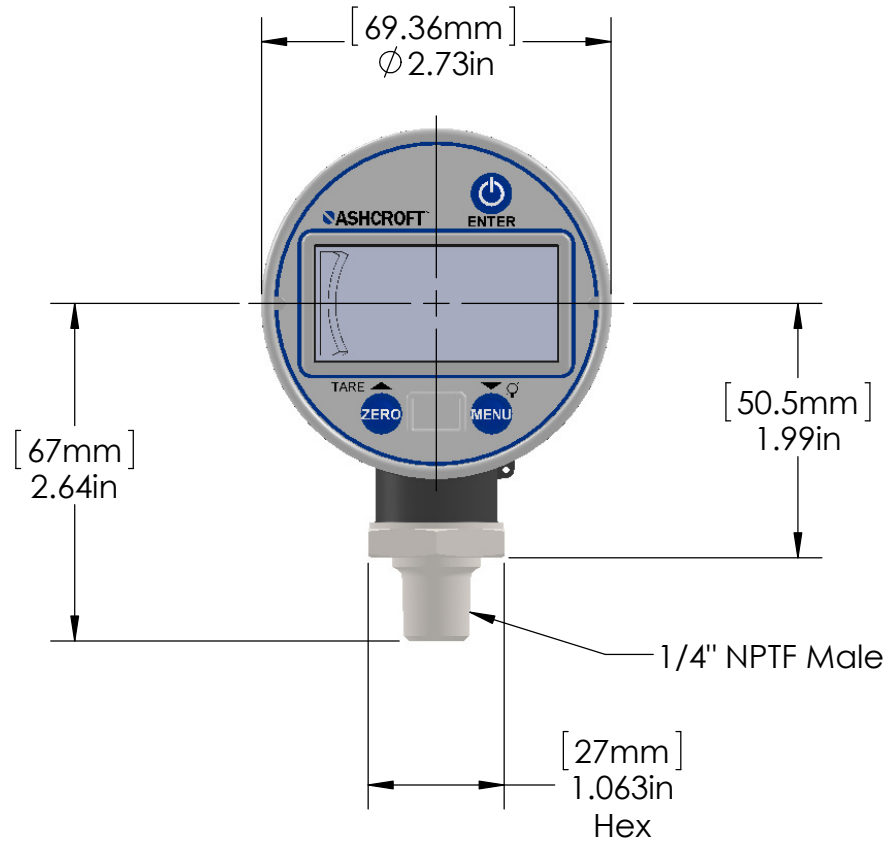
Third angle projection



This drawing includes confidential information which is the property of ASHCROFT INC. This copy is loaned for the specific purpose, with the understanding that it will not be reproduced or used for any other purpose or disclosed to others, and it will be returned on demand.

ASHCROFT® INC.

250 EAST MAIN STREET,
STRATFORD, CT 06614



GENERAL DIMENSIONS OF GENERAL PURPOSE DIGITAL GAUGE (DG25)

DIMENSIONAL TOLERANCES UNLESS OTHERWISE SPECIFIED ALL DIMENSIONS ARE IN INCHES

TOLERANCES ARE:
3 place decimal .000 ±.007
2 place decimal .00 ±.015
1 place decimal .0 ±.030

Angle ± 1 deg
Chamfer ± 5 deg

General Dimensions - 2.5" General Purpose Digital Gauge (DG25)

SIZE	DWG. NO.	REV.
A	70A3922	A

REV	ECO	DESCRIPTION	BY	DATE
A	5511	Initial Release	CMB	3/9/2012

CAD GENERATED DRAWING, DO NOT MANUALLY UPDATE

DRAWN BY	DATE
Blatherwick	2/1/12

DO NOT SCALE DRAWING

Scale 1:2 Sheet 1 of 1