

Array Shelving

Model No: SH.AR.XXX.XX.36XXXX

OVERVIEW

A set of sturdy shelves perfect for libraries, classrooms, or office spaces.

FRAME

Side, top, and trim panels are 1" thick and back panel is 0.75" thick. All panels are laminate construction with particleboard core. Side panels on units have 0.25" holes spaced 1.25" apart center-to-center. Shelving units come in multiple heights and are either double or single sided. Stand Alone units are available as well as Adders and Enders which may be ganged to Starter units of corresponding heights. Units are ganged together using plastic dowels inserted into 8mm holes for alignment and 3.5" #10 screws drilled through top cleats of connecting units. Stand Alone units may not be ganged to other units. Double-sided and Single-sided units may not be ganged together.

SHELVES

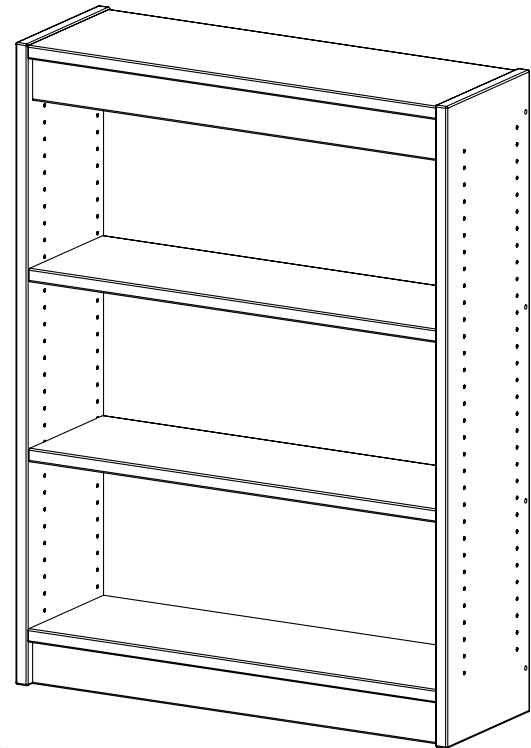
Shelves are 1" laminate construction with particleboard core and 3 mm PVC edgebanding on both front and back edges. Shelves have routed pin slots to prevent sliding and are secured to frame with steel pins. Shelves are height adjustable along the entire interior of the unit. The number of shelves included with each bookcase is determined by its height and ranges from one to nine adjustable shelves excluding the bottom-most shelf which is fixed for added support.

GLIDES/CASTERS

Shelving units come standard with height adjustable floor glides. Mobile units are available as well with casters measuring 3" in diameter and 3-1/2" overall height. Casters are rated for a dynamic load of 165 lbs each and are ROHS compliant. Casters are non-marking with a flat wheel face. They are attached using a top plate mount using four screws spaced 1.625" center-to-center.

LAMINATE AND EDGE BAND

See attached material guide for all options.



OPTIONS / ACCESSORIES

Available in Starter, Adder, and Ender versions for ganging.

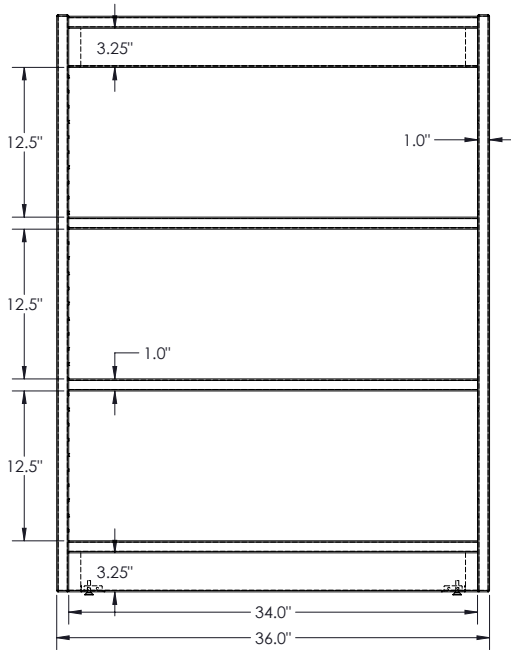
Available in a stand-alone version.

Available as a mobile or stationary unit.

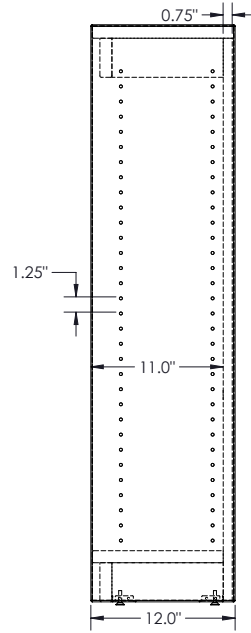
Available as single or double sided units.

Available in a range of heights (see attached dimensions table).

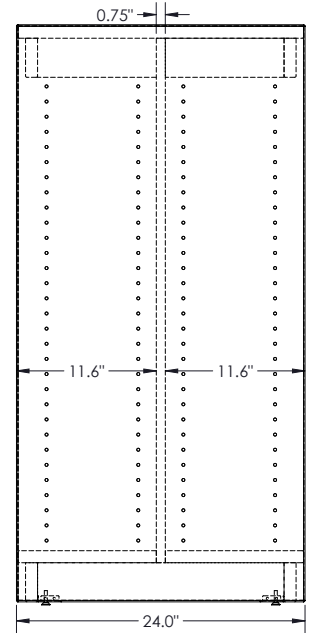
48" H SINGLE/DOUBLE



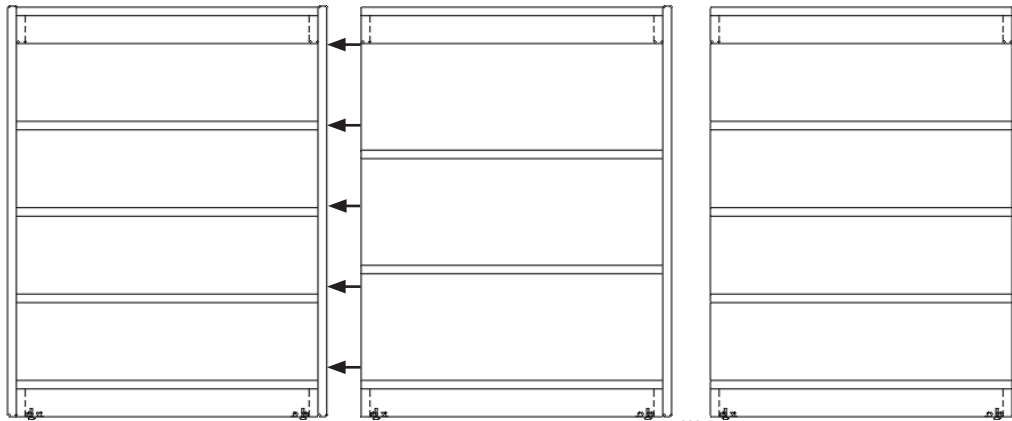
48" H SINGLE



48" H DOUBLE



ARRAY SHELVING ADD-ON OPTIONS



STARTER

EXTERIOR PIN HOLES
ON ONE SIDE ONLY

ADDER

ONE SIDE OPEN/
ONE SIDE ENCLOSED
WITH EXTERIOR PIN HOLES

ENDER

ONE SIDE OPEN/
ONE SIDE ENCLOSED
WITH NO EXTERIOR HOLES



MOORECOTM

MOORECO INC.
2885 Lorraine Avenue | Temple, TX 76501
p: 800.749.2258 | f: 866.888.7483
www.moorecoinc.com

DIMENSIONS

Part Number	Description	Dimensions	Height	Number of Shelves	Approx. Shelf Spacing (If Equal)
SH.ARS.LC.DS.362436-_-_-_-	Double Mobile	36"W X 24"D	36"H	4	13"
SH.ARS.LC.DS.362442-_-_-_-	Double Mobile	36"W X 24"D	42"H	6	10.5"
SH.ARS.LC.DS.362445-_-_-_-	Double Mobile	36"W X 24"D	45"H	6	11.5"
SH.ARS.LC.DS.362448-_-_-_-	Double Mobile	36"W X 24"D	48"H	6	12.5"
SH.ARS.L.S.361236-_-_-_-	Single Starter	36"W X 12"D	36"H	2	13"
SH.ARS.L.S.361242-_-_-_-	Single Starter	36"W X 12"D	42"H	3	10.5"
SH.ARS.L.S.361248-_-_-_-	Single Starter	36"W X 12"D	48"H	3	12.5"
SH.ARS.L.S.361260-_-_-_-	Single Starter	36"W X 12"D	60"H	4	12"
SH.ARS.L.S.361272-_-_-_-	Single Starter	36"W X 12"D	72"H	5	12"
SH.ARS.L.DS.362436-_-_-_-	Double Starter	36"W X 24"D	36"H	4	13"
SH.ARS.L.DS.362442-_-_-_-	Double Starter	36"W X 24"D	42"H	6	10.5"
SH.ARS.L.DS.362448-_-_-_-	Double Starter	36"W X 24"D	48"H	6	12.5"
SH.ARS.L.DS.362460-_-_-_-	Double Starter	36"W X 24"D	60"H	8	12"
SH.ARS.L.DS.362472-_-_-_-	Double Starter	36"W X 24"D	72"H	10	12"
SH.ARS.L.O.361236-_-_-_-	Single Stand Alone	36"W X 12"D	36"H	2	13"
SH.ARS.L.O.361242-_-_-_-	Single Stand Alone	36"W X 12"D	42"H	3	10.5"
SH.ARS.L.O.361248-_-_-_-	Single Stand Alone	36"W X 12"D	48"H	3	12.5"
SH.ARS.L.O.361260-_-_-_-	Single Stand Alone	36"W X 12"D	60"H	4	12"
SH.ARS.L.O.361272-_-_-_-	Single Stand Alone	36"W X 12"D	72"H	5	12"
SH.ARS.L.DO.362436-_-_-_-	Double Stand Alone	36"W X 24"D	36"H	4	13"
SH.ARS.L.DO.362442-_-_-_-	Double Stand Alone	36"W X 24"D	42"H	6	10.5"
SH.ARS.L.DO.362448-_-_-_-	Double Stand Alone	36"W X 24"D	48"H	6	12.5"
SH.ARS.L.DO.362460-_-_-_-	Double Stand Alone	36"W X 24"D	60"H	8	12"
SH.ARS.L.DO.362472-_-_-_-	Double Stand Alone	36"W X 24"D	72"H	10	12"
SH.ARS.L.A.361236-_-_-_-	Single Adder	36"W X 12"D	36"H	2	13"
SH.ARS.L.A.361242-_-_-_-	Single Adder	36"W X 12"D	42"H	3	10.5"
SH.ARS.L.A.361248-_-_-_-	Single Adder	36"W X 12"D	48"H	3	12.5"
SH.ARS.L.A.361260-_-_-_-	Single Adder	36"W X 12"D	60"H	4	12"
SH.ARS.L.A.361272-_-_-_-	Single Adder	36"W X 12"D	72"H	5	12"
SH.ARS.L.DA.362436-_-_-_-	Double Adder	36"W X 24"D	36"H	4	13"
SH.ARS.L.DA.362442-_-_-_-	Double Adder	36"W X 24"D	42"H	6	10.5"
SH.ARS.L.DA.362448-_-_-_-	Double Adder	36"W X 24"D	48"H	6	12.5"
SH.ARS.L.DA.362460-_-_-_-	Double Adder	36"W X 24"D	60"H	8	12"
SH.ARS.L.DA.362472-_-_-_-	Double Adder	36"W X 24"D	72"H	10	12"
SH.ARS.L.E.361236-_-_-_-	Single Ender	36"W X 12"D	36"H	2	13"
SH.ARS.L.E.361242-_-_-_-	Single Ender	36"W X 12"D	42"H	3	10.5"
SH.ARS.L.E.361248-_-_-_-	Single Ender	36"W X 12"D	48"H	3	12.5"
SH.ARS.L.E.361260-_-_-_-	Single Ender	36"W X 12"D	60"H	4	12"
SH.ARS.L.E.361272-_-_-_-	Single Ender	36"W X 12"D	72"H	5	12"
SH.ARS.L.DE.362436-_-_-_-	Double Ender	36"W X 24"D	36"H	4	13"
SH.ARS.L.DE.362436-_-_-_-	Double Ender	36"W X 24"D	42"H	6	10.5"
SH.ARS.L.DE.362448-_-_-_-	Double Ender	36"W X 24"D	48"H	6	12.5"
SH.ARS.L.DE.362460-_-_-_-	Double Ender	36"W X 24"D	60"H	8	12"
SH.ARS.L.DE.362472-_-_-_-	Double Ender	36"W X 24"D	72"H	10	12"



MOORECOTM

MOORECO INC.
2885 Lorraine Avenue | Temple, TX 76501
p: 800.749.2258 | f: 866.888.7483
www.moorecoinc.com