

Seed Cantilever Chair

Product No: SG.SD.C.16.6XX.7XX.XX, SG.SD.C.18.6XX.7XX.XX

SHELL

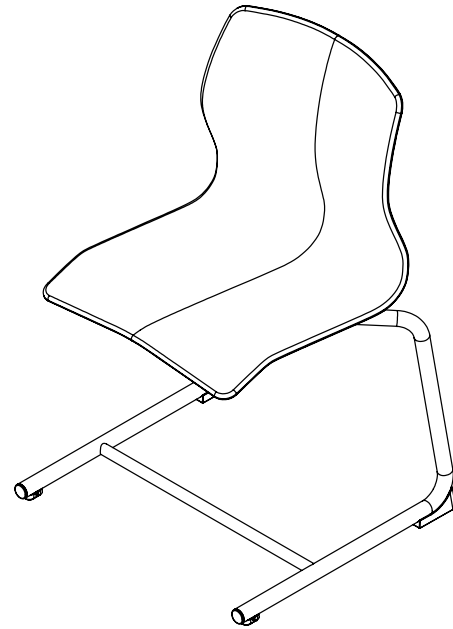
Seat is designed as a single-piece injection-molded shell of polypropylene with integrated attachment features including a structural front hook, rear snaps, and screw bosses.

FRAME

Cantilever frame is constructed of two 1" diameter 14 ga steel tubes, connected by a .75" diameter 14 ga steel tube used to snap into the frame. A .75" 14 ga steel crossbar connects the tubes at the bottom of the frame. The shell uses integrated snaps to attach to a welded 12 ga steel bracket with two built-in clips. The bracket is also screwed in with two #10 x 1" plastite screws. Poly shell chairs are rated for use up to 250lbs. Frame is available in three powder coat finish options.

GLIDES

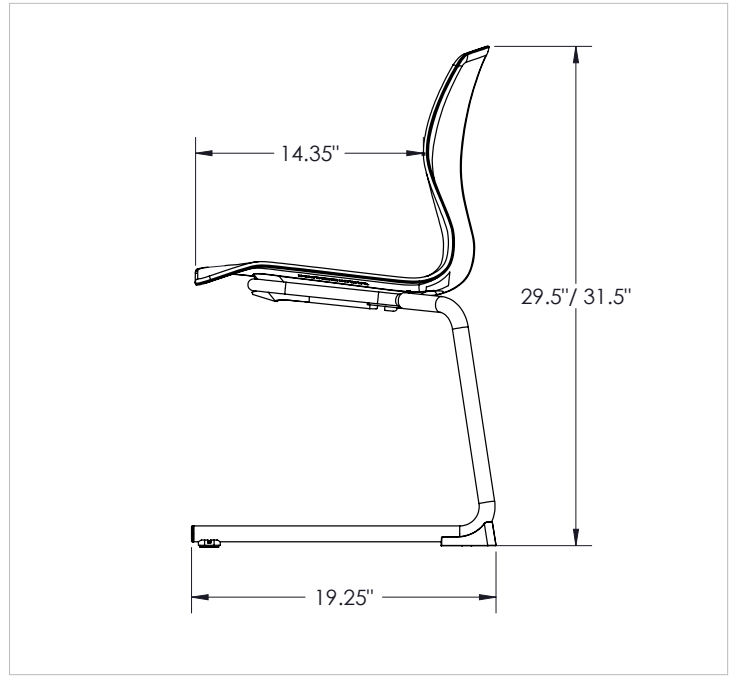
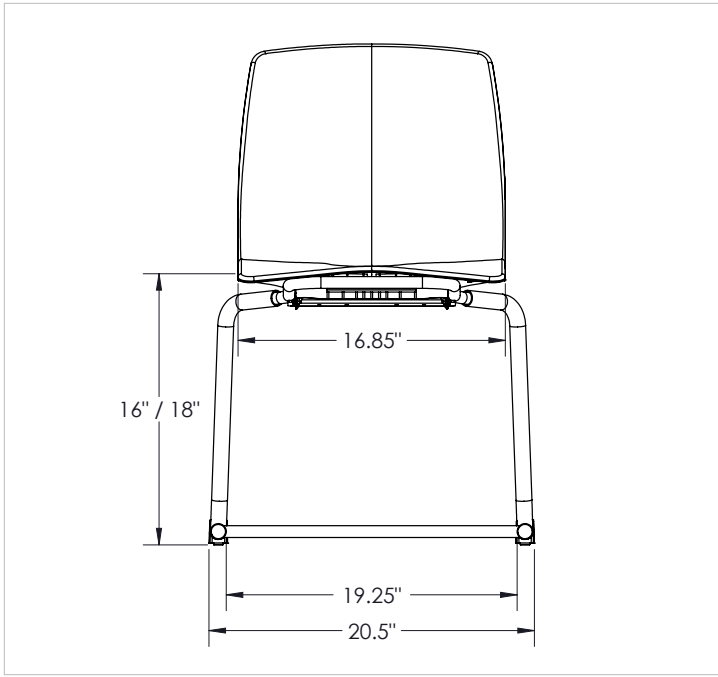
Glides at the bottom corners of the frame are 100% nylon and attached to the steel tubing with one rivet each. Glides also feature replaceable nylon glide inserts.



COMPLIANCE

SCS Indoor Advantage Gold certified.

Meets or exceeds BIFMA testing.



DIMENSIONS:

Base Model No.	Description	Seat Height	Overall Depth	Overall Width
SG.SD.C.16.6XX.7XXX	Seed - Cantilever Frame - 16"	16"	19.25"	20.5"
SG.SD.C.18.6XX.7XXX	Seed - Cantilever Frame - 18"	18"	19.25"	20.5"



Vanerum North America
 2885 Lorraine Avenue | Temple, TX 76501
 p: 800.749.2258 | f: 866.888.7483
 www.vanerumna.com