

Visionary Curve Mobile Magnetic Glass Board

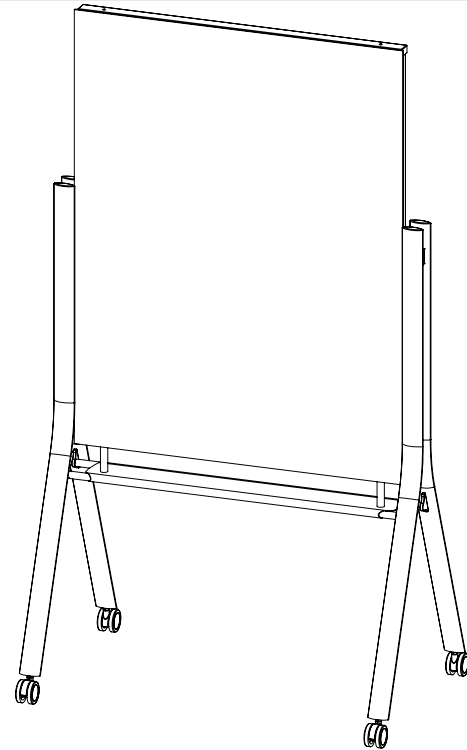
Model No: 74955, 74957-WHITE, 74957-XXXX

OVERVIEW

The Visionary Curve Mobile Magnetic Glass Board offers twice the functional space of a wall-mounted board in a versatile mobile unit.

FRAME

The Visionary Curve Mobile Magnetic Glass Board has a frame of 18 Ga, white or silver powder coated steel. The legs are made of 2.29" x 0.81" x 52" oval steel tube. Each side has two legs attached at the top with a leg connector assembly that is a 10 Ga 1.58" x 0.97" x 1.28" hollow fixture, attached to the back leg with two M6 x 10mm countersunk screws, which inserts into a 10 Ga 1.5" x 1.1" x 1.65" receiving fixture attached to the front leg with two M6 x 10mm countersunk screws. A 0.95" x 0.2" x 1.5" threaded block is inserted into the leg connector assembly and an M8 x 65mm screw holds it to the C-frame behind the markerboard. The C-frame is made up of 3 welded 18 Ga 1" square steel tubes forming a 16.25" x 47.25" 'C' shape. The two C-frames that make up the main body are connected to each other by a 20 Ga steel 0.846" square tube insert. A 20 ga steel 1.5" x 35.69" x .79" cap channel is secured to the bottom of the C-frame with two M6 x 38mm all-thread rods screwed into the C-frame on one side and into two 20 Ga steel 0.63" diameter x 2.93" long tray hangers on the other, holding the cap channel between the two. The tray is an 18 Ga steel tray welded to two 0.76" diameter x 37.75" long steel tubes. The tray is held to the tray hangers with two M6 x 15mm screws. The tray assembly is secured to the two sides with two M6 x 15mm screws on each side that go through the steel tubes and a 0.6" diameter insert welded to a 1.1" x 0.33" x 2.314" block which is welded to each leg. Glass boards rest in the bottom cap channel and are secured with foam adhesive and a cap channel screwed into the top of the C-frame with two M6 x 15mm screws. The frame has four 2.5" casters attached with M10 x 15mm stems.



BOARD

The panel is double sided magnetic glass that measures 47.24"H X 35.43"H or 43.90"H X 30.55"W. Glass thickness is 0.15". Boards are made of tempered glass. Boards are available in gloss white, low-iron white, red, orange, yellow, green, blue, and navy. Visionary Glass boards are backed with 20 Ga steel to allow for rare earth magnets to attach.

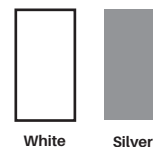
COMPLIANCE

Indoor Advantage Gold certified.

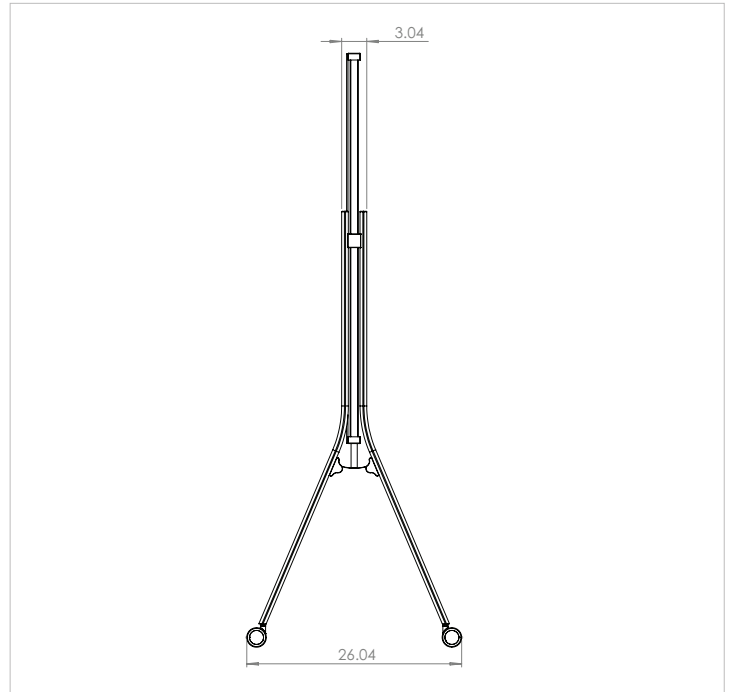
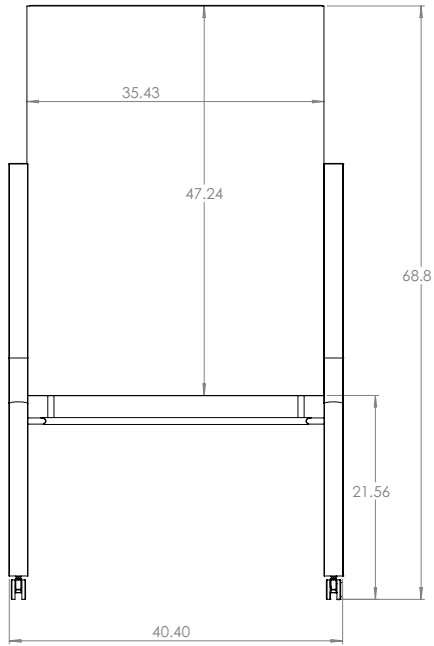
COLORS:



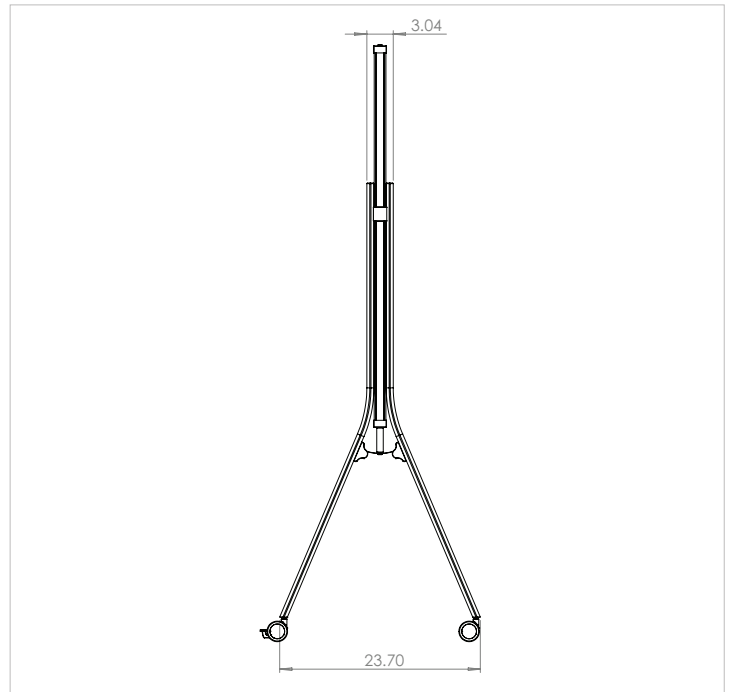
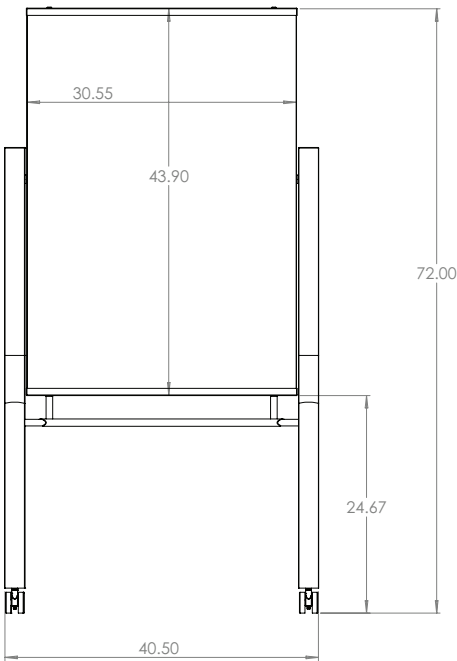
FRAME COLORS:



74957



74955



DIMENSIONS:

Base Model No.	Description	Surface Dimensions	Overall Dimensions
74957-WHITE	Low-Iron White Glass - White Frame	47.24"H X 35.43"W	68.8"H X 40.43"W X 26.4"D
74957-XXXX	Specify Color of Glass - White Frame	47.24"H X 35.43"W	68.8"H X 40.43"W X 26.4"D
74955	Gloss White Glass - Platinum Frame	43.90"H X 30.55"W	72"H X 40.5"W X 23.7"D



MooreCo, Inc.
 2885 Lorraine Avenue | Temple, TX 76501
 p: 800.749.2258 | f: 866.888.7483
www.moorecoinc.com