



Product Specifications

Compass Makerspace

Model Number: 9169X-X-XXXX, 9169X-X-BUTCHER

OVERVIEW

This new line of Makerspace tables offers a heavy-duty work surface in a variety of table top sizes and heights to make the most of your makerspace.

TABLE TOP

The standard top is made of 1 1/8" Particleboard Core with 3mm Flat Vinyl T-Mold Edge available in all hierarchy colors. The work surface is constructed of 45# particleboard core with high-pressure laminate (HPL) top surface and phenolic backer sheet for balanced construction. 1 1/8" 3mm flat vinyl t-mold is secured to the work surface with brad nails along the perimeter. Overall top thickness of 30mm (1.2").

BUTCHER BLOCK

Tables are available with butcher block top surface which is 45mm thick (15mm thicker than standard laminate option). Butcher block has a double urethane top coat with anti-scratch additive.

FRAME

The platinum powder coated frame is made of two leg brackets and one support trough that extends the length of the table between the legs. Each leg bracket consists of three pieces of 14 Ga rectangular steel tubing welded together with a 14 Ga, 90 degree curved steel sheet bent around its top and inside face. Tubing for legs is 100mm x 40mm joined by a 95mm x 100mm crossbar. Each leg bracket is mounted directly to the underside of the table top with six # 10x1" wood screws. The support trough is comprised of four 14 Ga steel plates welded together. Slots with 65mm diameters are cut into the bottom plate. The support trough is attached to each leg with four 1/4" x 3" bolts that insert from the outside face of each leg bracket and are secured with lock nuts on the inside of the bracket. The trough mounts to underside of table with six or ten of the same woods screws used for legs.

CASTERS

Dual-wheel casters are 100mm diameter with a zinc core and 10mm polyurethane tread.



OPTIONS/ACCESSORIES

Add-ons include Hierarchy color matched side panels and platinum shelves. Side panels are made from a single perforated 16 Ga steel sheet in one size that fits every frame model. Shelves are constructed from 14 Ga sheet steel supported by two 0.87" square 16 Ga steel tubes welded to the bottom. Shelves come in one size for 60" and 70" long tables and a shorter size for 48" tables. Panels and shelves both come two per pack.

TOP LAMINATES/BUTCHER BLOCK:



Amber Cherry Asian Night Castle Oak Fusion Maple Graphite Nebula Gray Elm Gray Nebula Low Line White Board Butcher Block

EDGEBAND/SIDE PANEL COLORS:



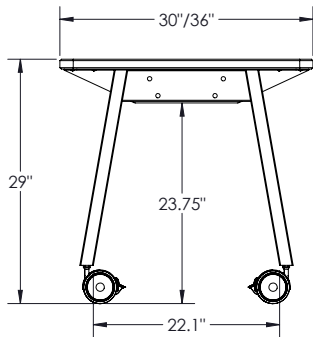
Black Platinum Cool Gray Purple Navy Blue Green Yellow Orange Red

FRAME/SHELF:

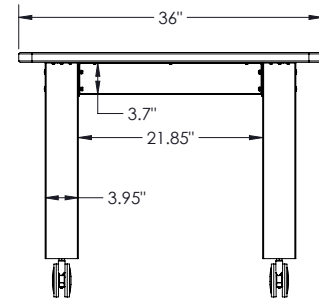
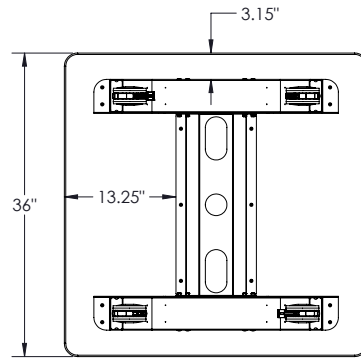


Platinum

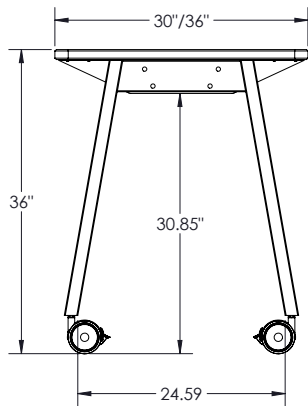
29" HEIGHT



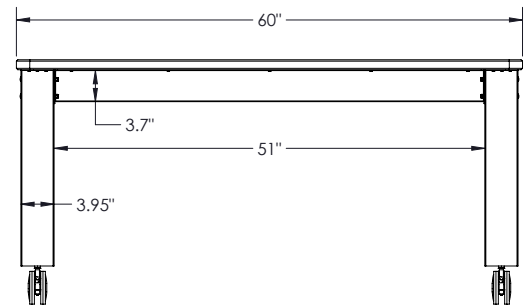
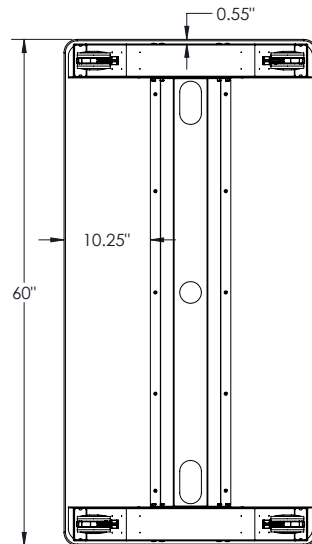
36" WIDE



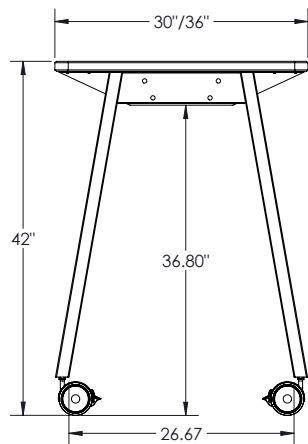
36" HEIGHT



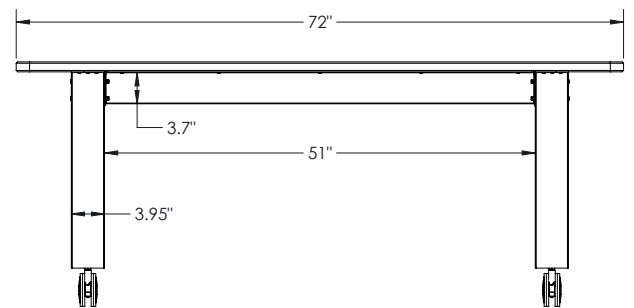
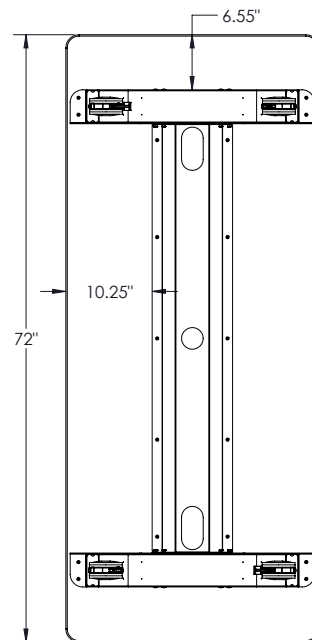
60" WIDE



42" HEIGHT



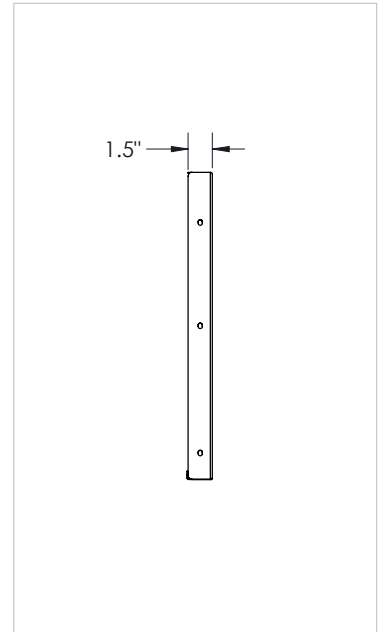
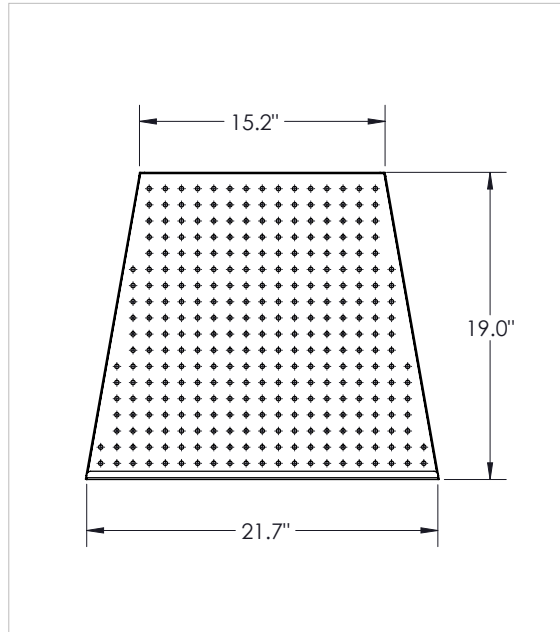
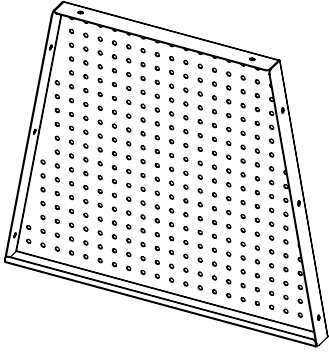
72" WIDE



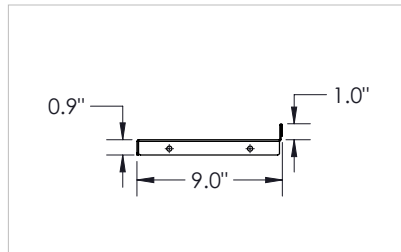
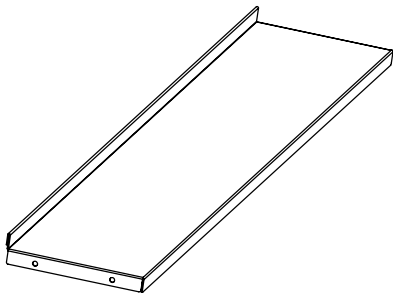
DIMENSIONS

Base Model No.	Description	Width x Length	Height	Thickness
91694-A-XXXX	Compass Makerspace Table Hierarchy Edgeband	30" x 60"	29"	30 mm
91694-B-XXXX	Compass Makerspace Table Hierarchy Edgeband	30" x 72"	29"	30 mm
91694-C-XXXX	Compass Makerspace Table Hierarchy Edgeband	36" x 60"	29"	30 mm
91694-D-XXXX	Compass Makerspace Table Hierarchy Edgeband	36" x 72"	29"	30 mm
91695-A-XXXX	Compass Makerspace Table Hierarchy Edgeband	36" x 36"	29"	30 mm
91715-A-XXXX	Compass Makerspace Table Hierarchy Edgeband	30" x 60"	36"	30 mm
91715-B-XXXX	Compass Makerspace Table Hierarchy Edgeband	30" x 72"	36"	30 mm
91715-C-XXXX	Compass Makerspace Table Hierarchy Edgeband	36" x 60"	36"	30 mm
91715-D-XXXX	Compass Makerspace Table Hierarchy Edgeband	36" x 72"	36"	30 mm
91715-A-XXXX	Compass Makerspace Table Hierarchy Edgeband	36" x 36"	36"	30 mm
91696-A-XXXX	Compass Makerspace Table Hierarchy Edgeband	30" x 60"	42"	30 mm
91696-B-XXXX	Compass Makerspace Table Hierarchy Edgeband	30" x 72"	42"	30 mm
91696-C-XXXX	Compass Makerspace Table Hierarchy Edgeband	36" x 60"	42"	30 mm
91696-D-XXXX	Compass Makerspace Table Hierarchy Edgeband	36" x 72"	42"	30 mm
91697-A-XXXX	Compass Makerspace Table Hierarchy Edgeband	36" x 36"	42"	30 mm
91694-A-BUTCHER	Compass Makerspace Table with Butcher Block	30" x 60"	29"	45 mm
91694-B-BUTCHER	Compass Makerspace Table with Butcher Block	30" x 72"	29"	45 mm
91694-C-BUTCHER	Compass Makerspace Table with Butcher Block	36" x 60"	29"	45 mm
91694-D-BUTCHER	Compass Makerspace Table with Butcher Block	36" x 72"	29"	45 mm
91695-A-BUTCHER	Compass Makerspace Table with Butcher Block	36" x 36"	29"	45 mm
91715-A-BUTCHER	Compass Makerspace Table with Butcher Block	30" x 60"	36"	45 mm
91715-B-BUTCHER	Compass Makerspace Table with Butcher Block	30" x 72"	36"	45 mm
91715-C-BUTCHER	Compass Makerspace Table with Butcher Block	36" x 60"	36"	45 mm
91715-D-BUTCHER	Compass Makerspace Table with Butcher Block	36" x 72"	36"	45 mm
91715-A-BUTCHER	Compass Makerspace Table with Butcher Block	36" x 36"	36"	45 mm
91696-A-BUTCHER	Compass Makerspace Table with Butcher Block	30" x 60"	42"	45 mm
91696-B-BUTCHER	Compass Makerspace Table with Butcher Block	30" x 72"	42"	45 mm
91696-C-BUTCHER	Compass Makerspace Table with Butcher Block	36" x 60"	42"	45 mm
91696-D-BUTCHER	Compass Makerspace Table with Butcher Block	36" x 72"	42"	45 mm
91697-A-BUTCHER	Compass Makerspace Table with Butcher Block	36" x 36"	42"	45 mm

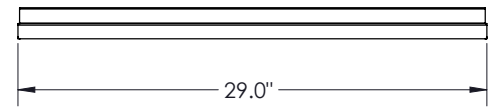
52990-XXXX



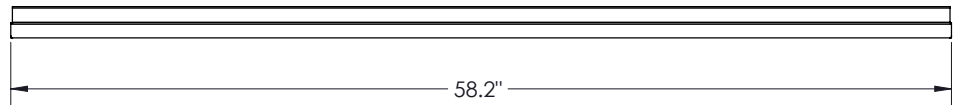
91698/91699



91698



91699



ACCESSORY/OPTIONS

Base Model No.	Description	Dimensions
52990-XXXX	Side Panels in Hierarchy Colors (2 Pack)	21.7" x 19" x 1.5"
91698	Shelves for 36" Wide Tables (2 Pack)	29" x 1.9" x 9"
91699	Shelves for 72" Wide Tables (2 Pack)	58.2" x 1.9" x 9"