

# MooreCo Array Shelving



*Flexible and customizable storage works in any space*

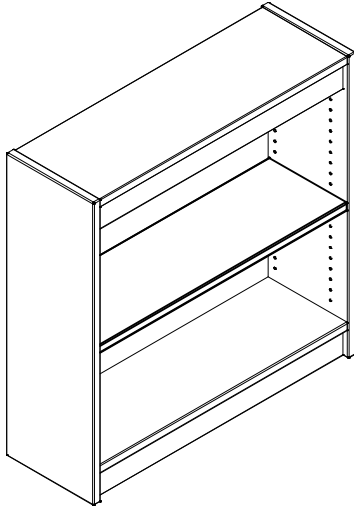
## **FEATURES & BENEFITS:**

- The Array Shelving collection is a set of sturdy and modular shelves perfect for libraries, classrooms, or office spaces.
- Available in stand alone, starter, adder, and mobile units.
- Laminate construction with PVC edgebanding.
- Available in a variety of laminates, or customize with your choice of finishes.
- SCS Indoor Advantage Gold Certified.



MOORECO™

# Array Shelving

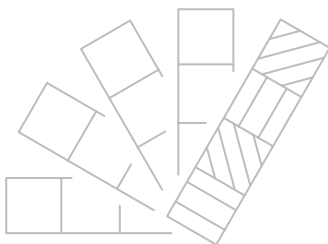


## STANDARD INCLUDES

- Laminate construction with matching edgebanding
- Standard adjustable floor glides on all models other than mobile; mobile includes 3" locking casters
- Adjustable shelves are 12"D
- Units have from two to five shelves per side depending on height
- 36"H has two shelves per side
- 42"H has three shelves per side
- 45" H has three shelves per side
- 48"H has three shelves per side
- 60"H has four shelves per side
- 72"H has five shelves per side

## AVAILABLE OPTIONS

- Single sided (12"D)
- Double sided (24"D)
- Customizable laminate



MooreCo Contract furniture is fully customizable! View our most up-to-date laminate and edgeband offering online by clicking the button below.

[VIEW MATERIAL LIBRARY](#)

## ARRAY STARTER UNITS

BASE PART NO.	DESCRIPTION	DIMENSIONS
SH.AR.SL.S.361236	Array Starter Unit (36 in) / Single Sided	36"H x 36"W x 12"D
SH.AR.SL.S.361242	Array Starter Unit (42 in) / Single Sided	42"H x 36"W x 12"D
SH.AR.SL.S.361248	Array Starter Unit (48 in) / Single Sided	48"H x 36"W x 12"D
SH.AR.SL.S.361260	Array Starter Unit (60 in) / Single Sided	60"H x 36"W x 12"D
SH.AR.SL.S.361272	Array Starter Unit (72 in) / Single Sided	72"H x 36"W x 12"D
SH.AR.SL.DS.362436	Array Starter Unit (36 in) / Double Sided	36"H x 36"W x 24"D
SH.AR.SL.DS.362442	Array Starter Unit (42 in) / Double Sided	42"H x 36"W x 24"D
SH.AR.SL.DS.362448	Array Starter Unit (48 in) / Double Sided	48"H x 36"W x 24"D
SH.AR.SL.DS.362460	Array Starter Unit (60 in) / Double Sided	60"H x 36"W x 24"D
SH.AR.SL.DS.362472	Array Starter Unit (72 in) / Double Sided	72"H x 36"W x 24"D

## ARRAY ADDER UNITS

BASE PART NO.	DESCRIPTION	DIMENSIONS
SH.AR.SL.A.361236	Array Adder Unit (36 in) / Single Sided	36"H x 36"W x 12"D
SH.AR.SL.A.361242	Array Adder Unit (42 in) / Single Sided	42"H x 36"W x 12"D
SH.AR.SL.A.361248	Array Adder Unit (48 in) / Single Sided	48"H x 36"W x 12"D
SH.AR.SL.A.361260	Array Adder Unit (60 in) / Single Sided	60"H x 36"W x 12"D
SH.AR.SL.A.361272	Array Adder Unit (72 in) / Single Sided	72"H x 36"W x 12"D
SH.AR.SL.DA.362436	Array Adder Unit (36 in) / Double Sided	36"H x 36"W x 24"D
SH.AR.SL.DA.362442	Array Adder Unit (42 in) / Double Sided	42"H x 36"W x 24"D
SH.AR.SL.DA.362448	Array Adder Unit (48 in) / Double Sided	48"H x 36"W x 24"D
SH.AR.SL.DA.362460	Array Adder Unit (60 in) / Double Sided	60"H x 36"W x 24"D
SH.AR.SL.DA.362472	Array Adder Unit (72 in) / Double Sided	72"H x 36"W x 24"D

## ARRAY ENDER UNITS

BASE PART NO.	DESCRIPTION	DIMENSIONS
SH.AR.SL.E.361236	Array Ender Unit (36 in) / Single Sided	36"H x 36"W x 12"D
SH.AR.SL.E.361242	Array Ender Unit (42 in) / Single Sided	42"H x 36"W x 12"D
SH.AR.SL.E.361248	Array Ender Unit (48 in) / Single Sided	48"H x 36"W x 12"D
SH.AR.SL.E.361260	Array Ender Unit (60 in) / Single Sided	60"H x 36"W x 12"D
SH.AR.SL.E.361272	Array Ender Unit (72 in) / Single Sided	72"H x 36"W x 12"D
SH.AR.SL.DE.362436	Array Ender Unit (36 in) / Double Sided	36"H x 36"W x 24"D
SH.AR.SL.DE.362442	Array Ender Unit (42 in) / Double Sided	42"H x 36"W x 24"D
SH.AR.SL.DE.362448	Array Ender Unit (48 in) / Double Sided	48"H x 36"W x 24"D
SH.AR.SL.DE.362460	Array Ender Unit (60 in) / Double Sided	60"H x 36"W x 24"D
SH.AR.SL.DE.362472	Array Ender Unit (72 in) / Double Sided	72"H x 36"W x 24"D

## ARRAY STAND ALONE UNITS

BASE PART NO.	DESCRIPTION	DIMENSIONS
SH.AR.SL.O.361236	Array Stand Alone Unit (36 in) / Single Sided	36"H x 36"W x 12"D
SH.AR.SL.O.361242	Array Stand Alone Unit (42 in) / Single Sided	42"H x 36"W x 12"D
SH.AR.SL.O.361248	Array Stand Alone Unit (48 in) / Single Sided	48"H x 36"W x 12"D
SH.AR.SL.O.361260	Array Stand Alone Unit (60 in) / Single Sided	60"H x 36"W x 12"D
SH.AR.SL.O.361272	Array Stand Alone Unit (72 in) / Single Sided	72"H x 36"W x 12"D
SH.AR.SL.DO.362436	Array Stand Alone Unit (36 in) / Double Sided	36"H x 36"W x 24"D
SH.AR.SL.DO.362442	Array Stand Alone Unit (42 in) / Double Sided	42"H x 36"W x 24"D
SH.AR.SL.DO.362448	Array Stand Alone Unit (48 in) / Double Sided	48"H x 36"W x 24"D
SH.AR.SL.DO.362460	Array Stand Alone Unit (60 in) / Double Sided	60"H x 36"W x 24"D
SH.AR.SL.DO.362472	Array Stand Alone Unit (72 in) / Double Sided	72"H x 36"W x 24"D

## ARRAY MOBILE UNITS

BASE PART NO.	DESCRIPTION	DIMENSIONS
SH.AR.SL.C.DS.362436	Array Mobile Unit (36 in) / Double	36"H x 36"W x 24"D
SH.AR.SL.C.DS.362442	Array Mobile Unit (42 in) / Double	42"H x 36"W x 24"D
SH.AR.SL.C.DS.362445	Array Mobile Unit (45 in) / Double	45"H x 36"W x 24"D
SH.AR.SL.C.DS.362448	Array Mobile Unit (48 in) / Double	48"H x 36"W x 24"D



MOORECO INC.  
2885 Lorraine Ave | Temple, TX 76501  
P: 800.749.2258 | F: 866.888.7483  
[www.moorecoinc.com](http://www.moorecoinc.com)