

Single and Double Dot Carts

Model No: 20702 - 20705

OVERVIEW:

Keep classrooms tidy with a storage option made specifically for Mooreco Dot seats to keep them out of the way but easily accessible when needed.

CONSTRUCTION:

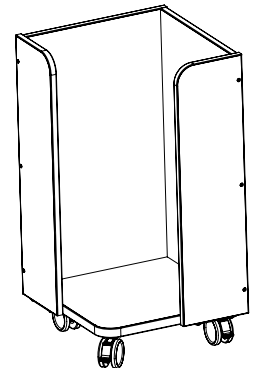
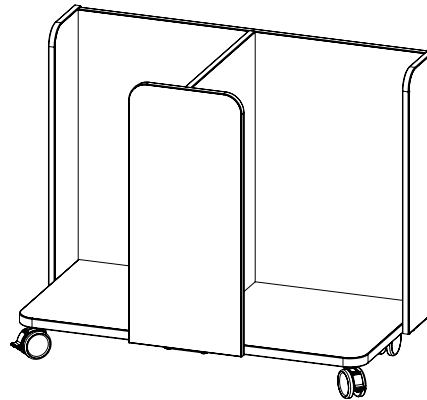
Cart walls are constructed from .75" thick particleboard panels with all laminate surfaces and edges. Base panel is 1" thick with laminate top surface and edge and phenolic backer. Panels attach to each other with threaded inserts with M6x15mm allen screws as well as M6x50mm phillips counter sunk wood screws. Steel 11 and 14 gauge brackets (straight and angled respectively) are used as well for connecting and reinforcing panels.

CASTERS:

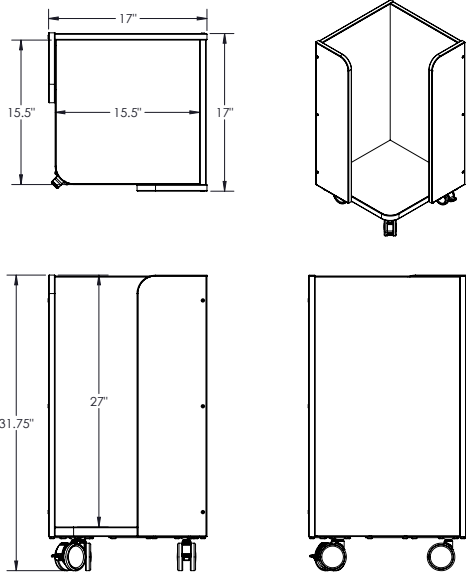
All carts receive four 3" dual wheel casters with two locking and two non-locking provided.

COMPLIANCE:

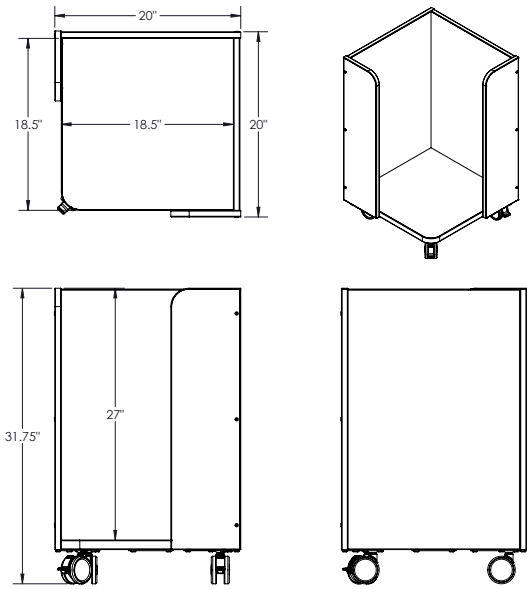
Indoor Advantage Gold certified.



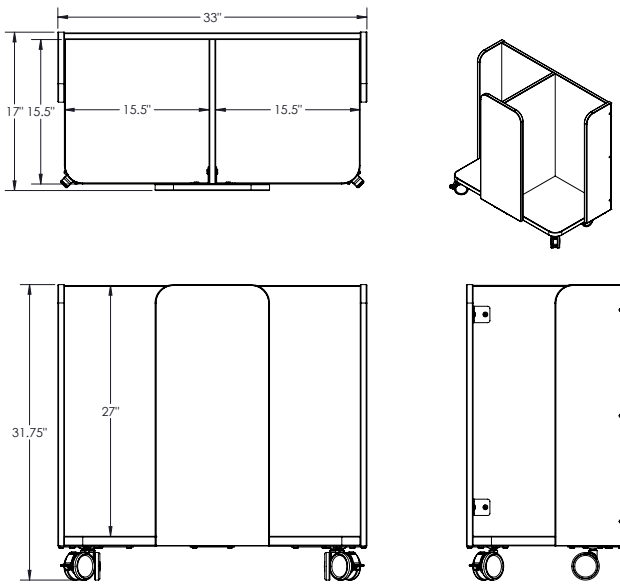
20702



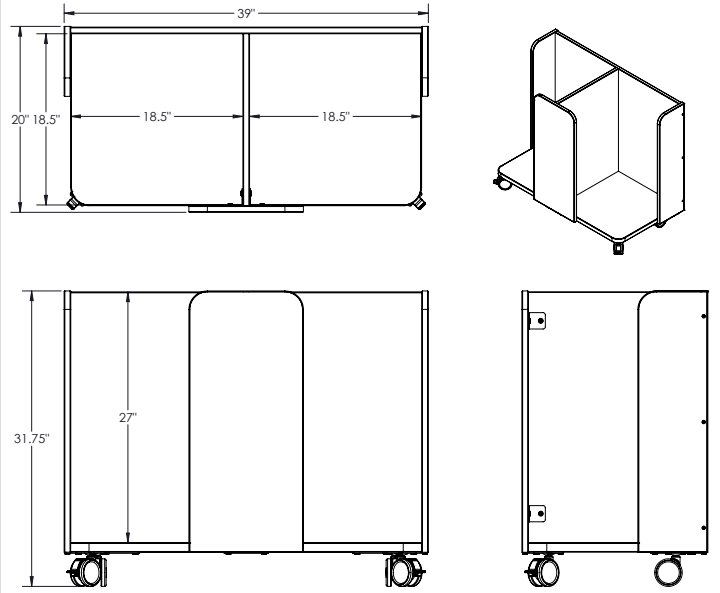
20704



20703



20705



DIMENSIONS:

Base Model No.	Description	Height "	Depth "	Width "	Dot Capacity
20702	15" Single Dot Cart	31.75	17	17	5
20703	15" Double Dot Cart	31.75	17	33	10
20704	18" Single Dot Cart	31.75	20	20	5
20705	18" Double Dot Cart	31.75	20	39	10