

## Sharewall Spline Panel System

Model No: 2T201 - 2T206

### PANELS

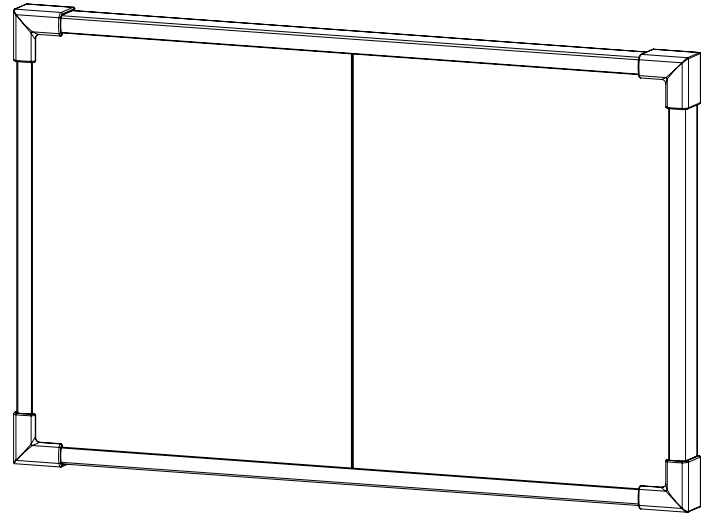
Panels are 7/16" MDF with 24 gauge white porcelain steel front surface and poly film back surface. Panels are grooved along edges to fit into spline extrusions. Panels are magnetic.

### PERIMETER TRIM

Trim is anodized aluminum extrusion sriaght cut to size with 3/8" visible face. Trim is mounted to wall with steel clips that slide along length of extrusion. Clips have slot through which #10 x 1 1/4" truss head screw is drilled into wall stud or plastic drywall anchor. Cast aluminum corners slide into trim and fasten to wall with a single screw. Available in silver or white finish.

### SPLINE

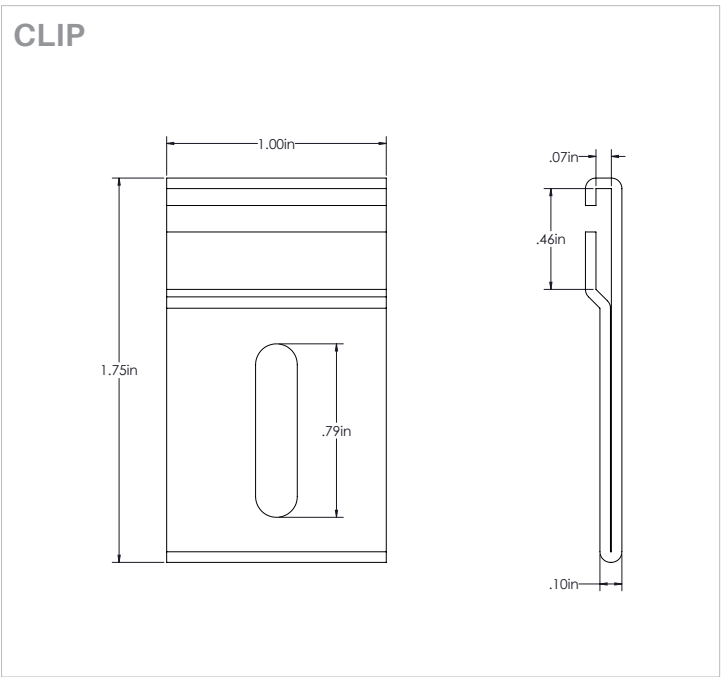
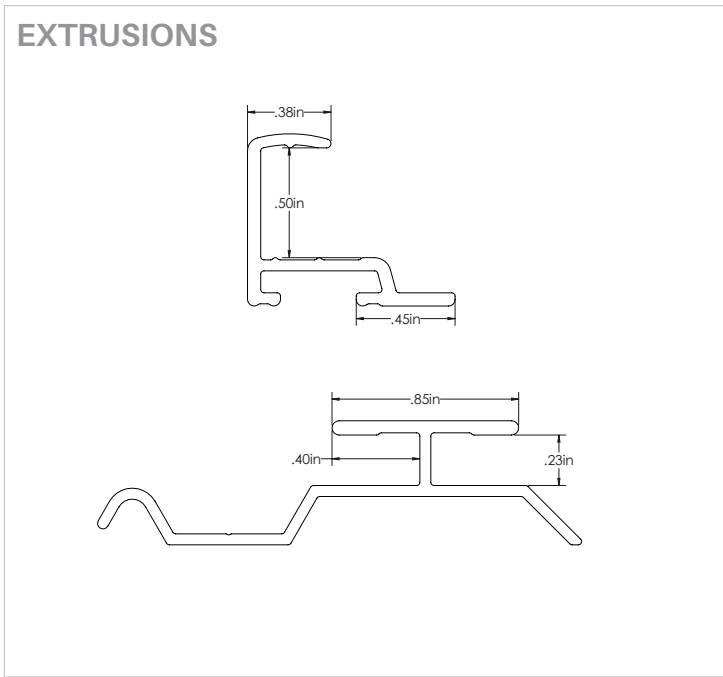
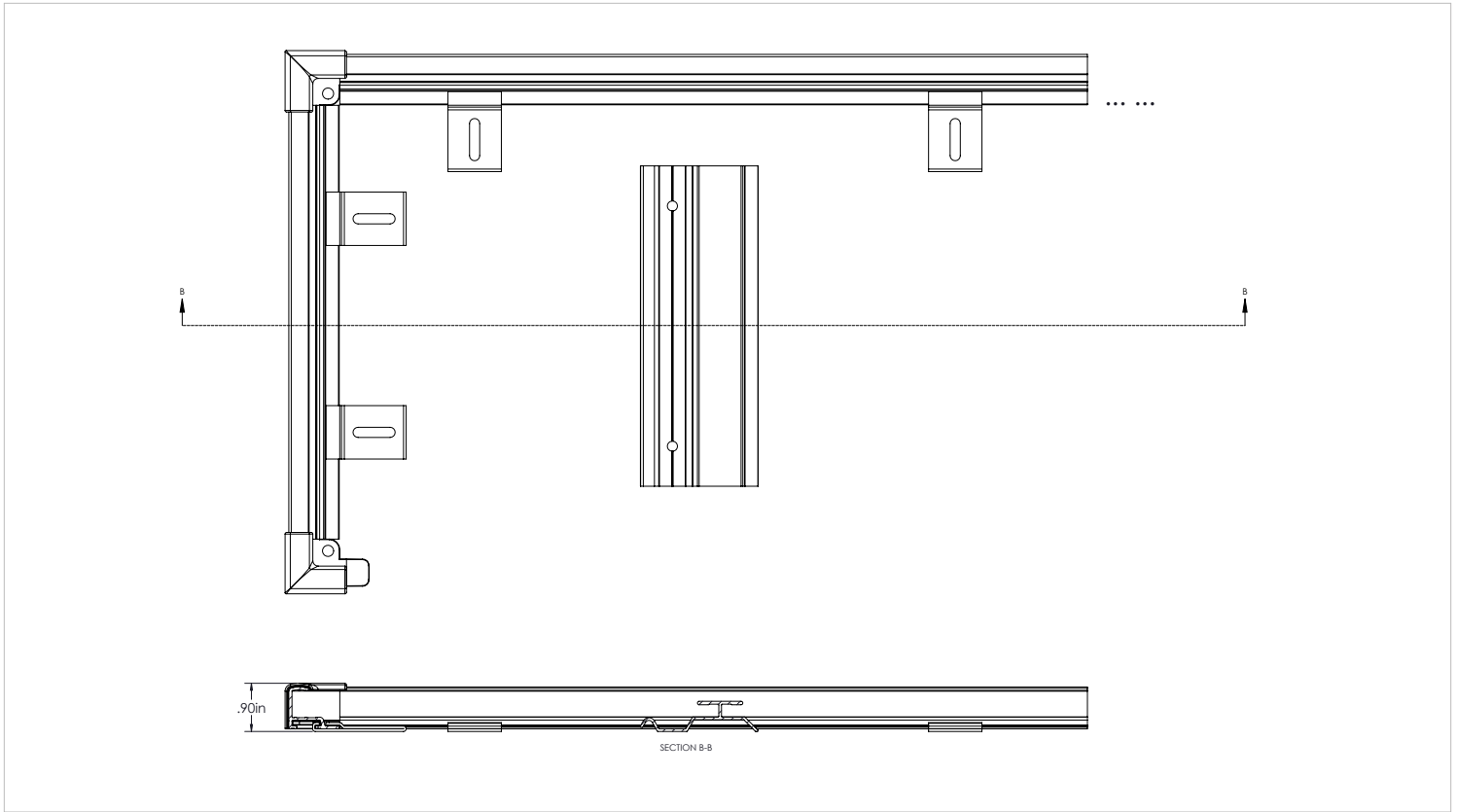
Spline is a single aluminum extrusion with screw holes to mount directly to wall in vertical position. Each spline has a two sided flange that fits into grooves in panels allowing them to fit together with small visible seam.



### COMPLIANCE:

SCS Indoor Advantage Gold certified.

Meets or exceeds BIFMA testing.



Base Model No.	Description	Dimensions
2T201	Sharewall Spline Full Wall Whiteboard Panel System	6'H x 8'W
2T202	Sharewall Spline Full Wall Whiteboard Panel System	6'H x 12'W
2T203	Sharewall Spline Full Wall Whiteboard Panel System	6'H x 16'W
2T204	Sharewall Spline Full Wall Whiteboard Panel System	8'H x 8'W
2T205	Sharewall Spline Full Wall Whiteboard Panel System	8'H x 12'W
2T206	Sharewall Spline Full Wall Whiteboard Panel System	8'H x 16'W