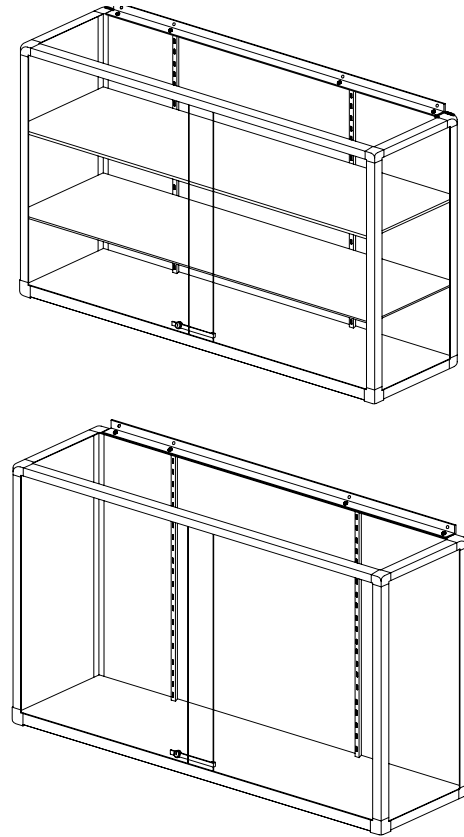
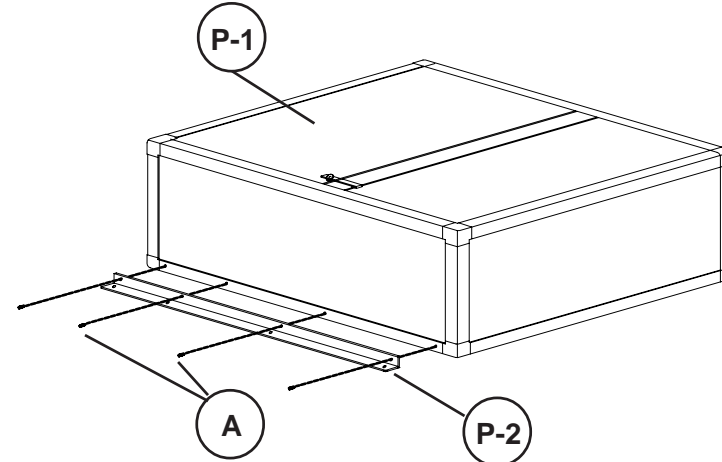


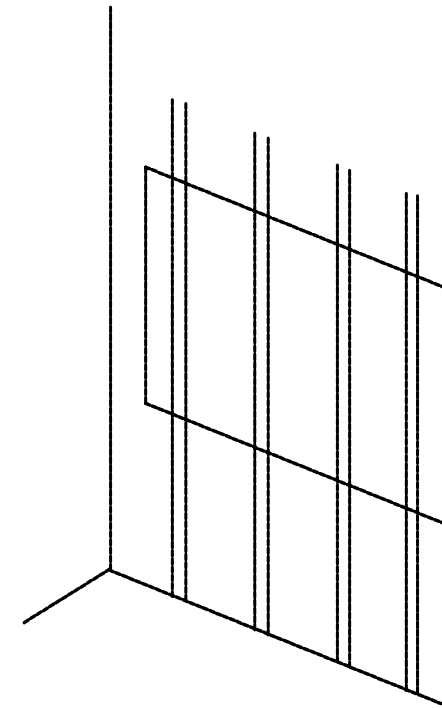
1 Remove all the glass shelves and shelf supports from inside the unit.



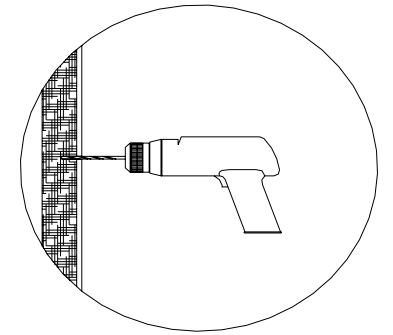
2 Attach the "L" Angle Bracket (P-2) to the bottom of the Display Case (P-1) using 1/2" Screws (A).



3 Find the desired location for the unit and mark the Stud locations on a Sheetrock/ Wood/Metal Stud wall. You MUST hit the studs with the 1 1/4" Screws (B) on this type wall.



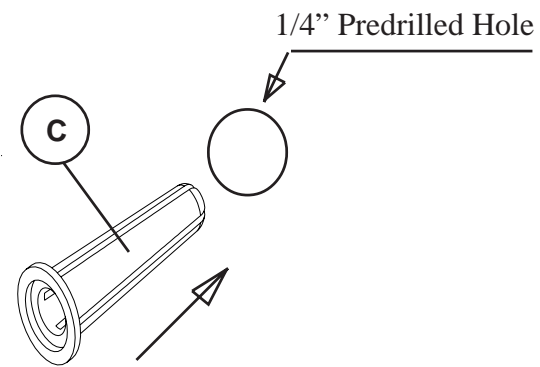
4 Use a 1/4" drill bit to drill through the top and bottom "L" Angle Brackets (P-2). [Keep drilling through and into masonry walls at least 1"]



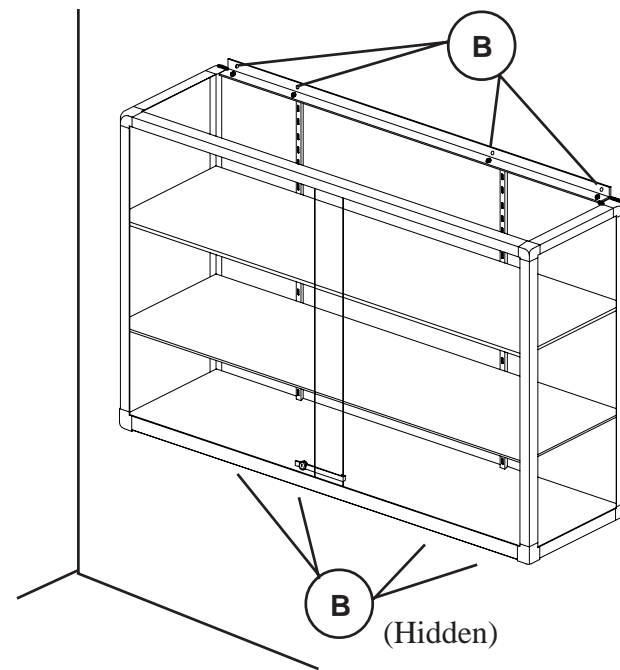
**READ THROUGH INSTRUCTIONS FROM BEGINNING TO END BEFORE STARTING TO ASSEMBLE UNIT.**

**Missing Parts or UPS Damaged Parts**  
For Your Convenience you can EMAIL us at [boards@bestrite.com](mailto:boards@bestrite.com)  
24HOURS 7 DAYS A WEEK

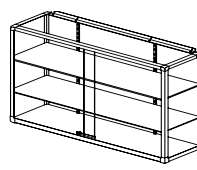
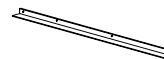
5 Insert Plastic Wall Anchors (C) into holes in masonry walls only.





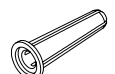
6 Position the Display Case (P-1) on the wall over your drilled holes(masonry wall) and attach with 1 1/4" Screws



**Parts List**

P-1		Display Case	1 EA
P-2		"L" Angle Bracket	1 EA

**Hardware List**

A		1/2" Screw	4 EA
B		1 1/4" Screw	8 EA
C		Plastic Wall Anchor	8 EA



**# 90 HC and # 90 W  
Wall Mount Display Case**

