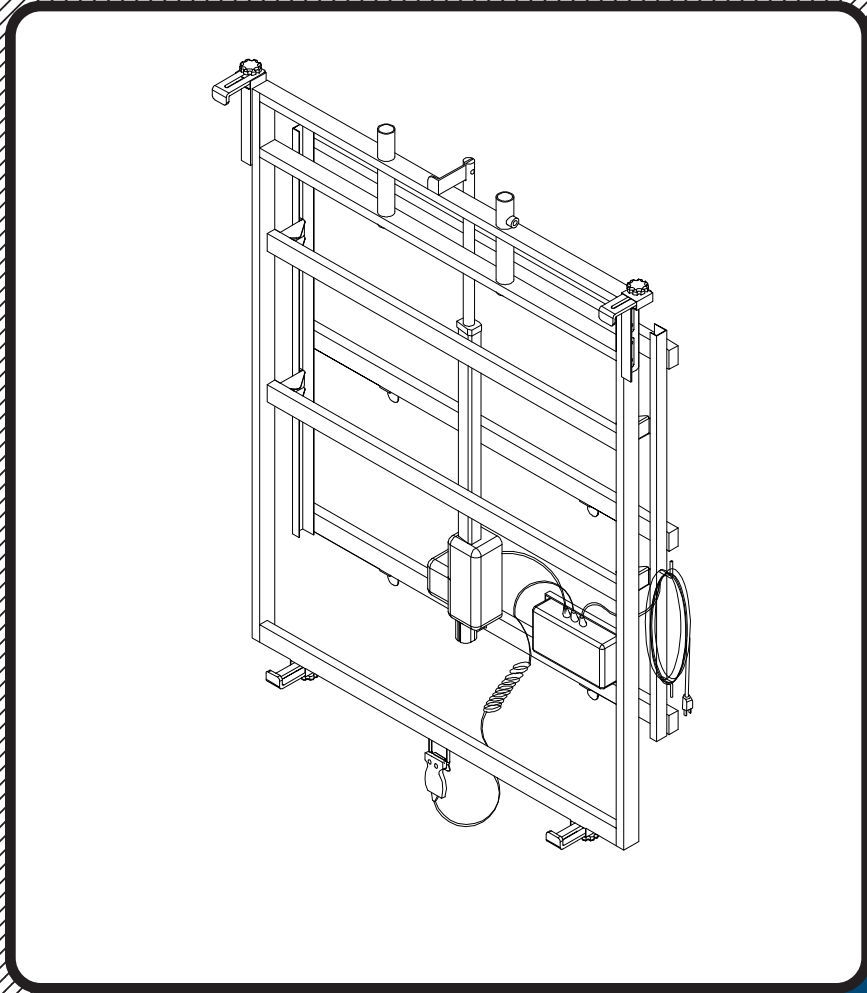


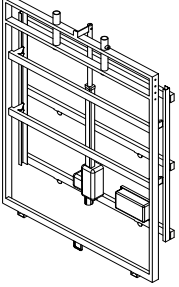
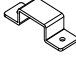
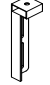

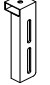
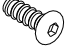
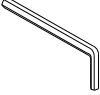


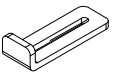
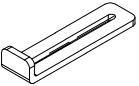


iTeach Electric Wall Mount



Assembly Instructions

iTeach Electric Wall Mount

Part	Drawing	Description	Qty	Part	Drawing	Description	Qty
P1		iTeach Unit	1 EA	P8		Bottom Wall Bracket	2 EA
P2		Right Top Bracket	1 EA	P9		Top Wall Bracket	2 EA
P3		Left Top Bracket	1 EA	<div style="border: 1px solid black; border-radius: 15px; padding: 10px;"> <p style="text-align: center;">Hardware List</p> <p>A  M6 X 15mm Screw 4 EA</p> <p>B  Allen Wrench 1 EA</p> </div>			
P4		Adjustment Knob	4 EA				
P5		Large Square Nut	4 EA	<div style="border: 1px solid black; padding: 10px;"> <p style="text-align: center;">Missing Parts or UPS Damaged Parts</p> <p style="text-align: center;">For Your Convenience you can EMAIL us at <u>support@moorecoinc.com</u> 24HOURS 7 DAYS A WEEK</p> </div>			
P6		Short Board Bracket	4 EA				
P7		Long Board Bracket	2 EA				

DISCLAIMER

MooreCo, Inc. makes no claim that the information contained herein covers all details, conditions, variations, nor does it provide for every possible contingency in connection with the installation or use of this product.

IMPORTANT WARNINGS AND CAUTIONS

Failure to provide adequate structural strength for the installation of this unit can result in serious personal injury or damage to the equipment! It is the installer's responsibility to make sure the structure to which this mount is attached can support three times the combined weight of all equipment.

It is also the installer's responsibility to determine the type of wall and the best wall mounting hardware to use for the safe installation of this equipment. Follow the hardware suppliers instructions for the correct predrill and hole depth for your wall and the type anchor you have chosen.

iTeach Electric Wall Mount Assembly Diagram

**READ THROUGH INSTRUCTIONS
FROM BEGINNING TO END BEFORE
STARTING TO ASSEMBLE UNIT.**

- 1.) Attach Right Top Bracket (P2) and Left Top Bracket (P3) to the iTeach Unit (P1) using two Screws (A) through each bracket and into the threaded holes in iTeach Unit (P1) as shown in Illustration #1.

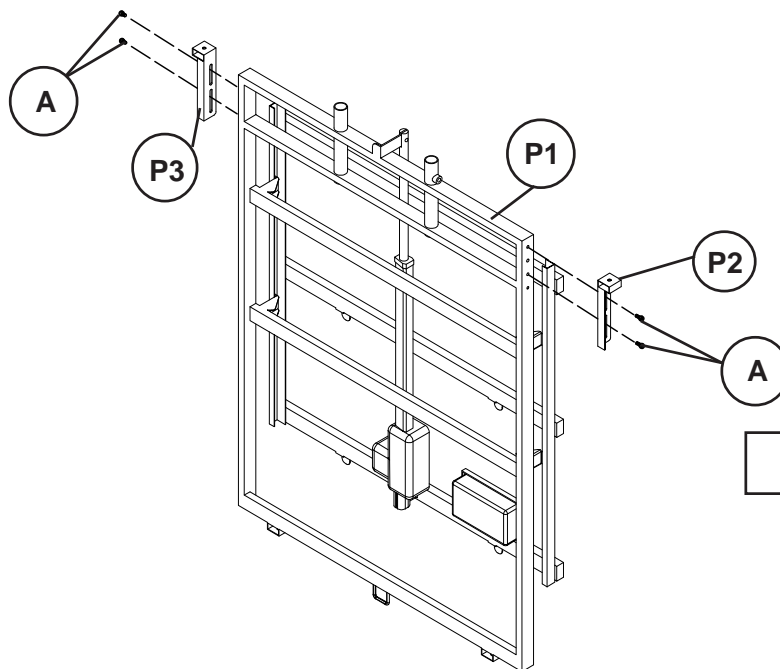


Illustration # 1

- 2.) Choose the right length bottom brackets that fit your board's thickness; Short Board Bracket (P6) for thin boards or Long Board Bracket (P7) for thicker boards. Place a Large Square Nut (P5) on top of the bracket you chose and insert them into the housing that is welded on the bottom of the iTeach Unit (P1). Line up the holes and slot and screw in a threaded Adjustment Knob (P4) as shown in Illustration #2.

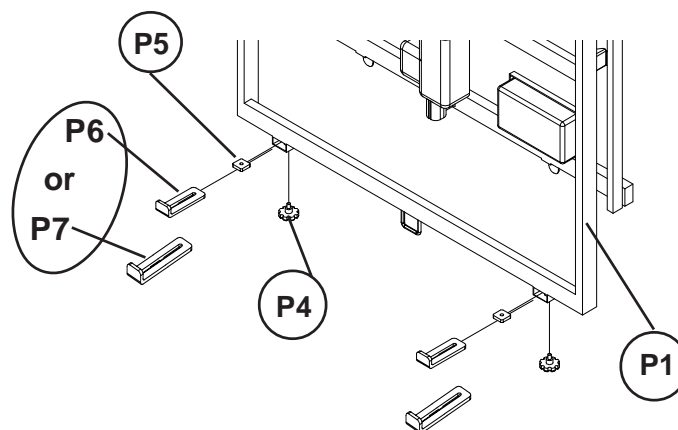
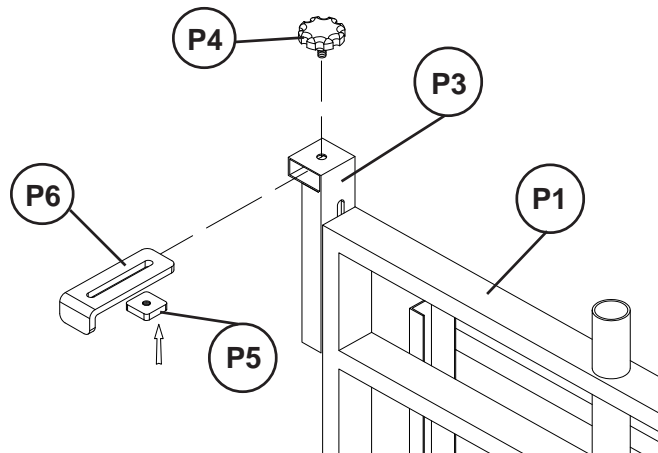
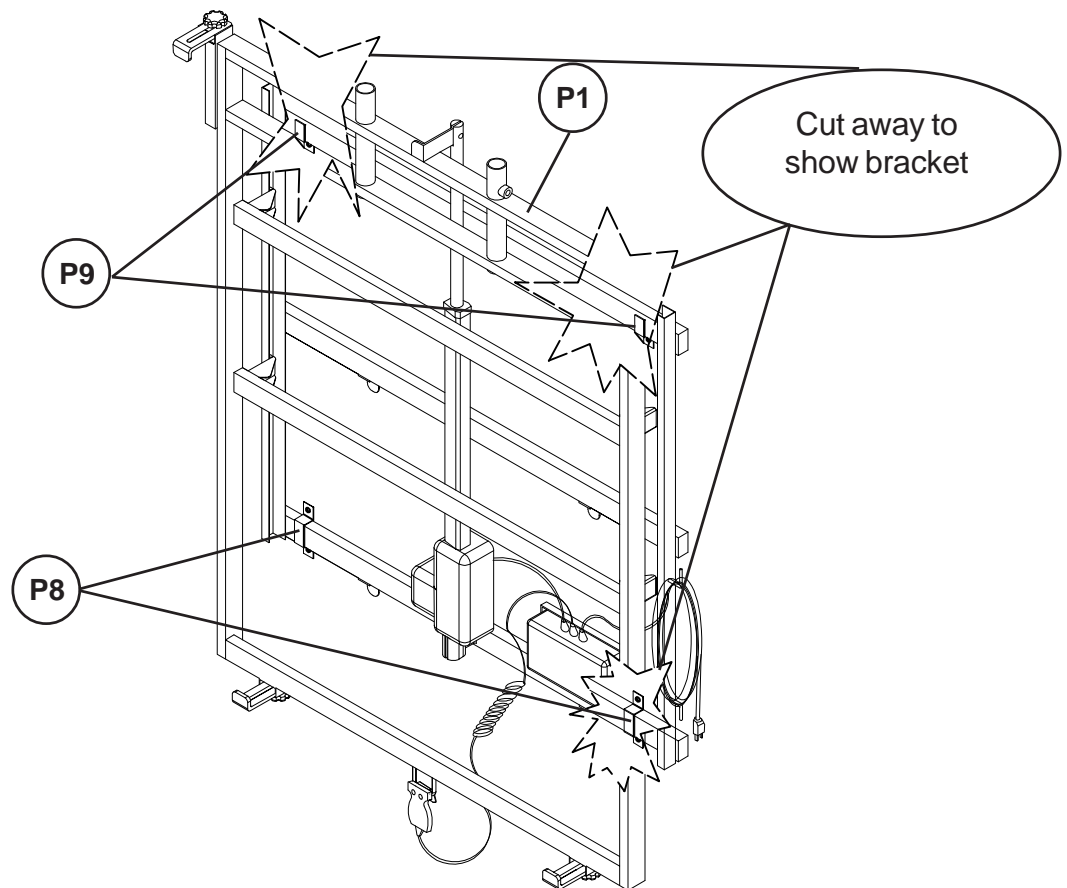


Illustration # 2

- 3.) Place a Large Square Nut (P5) under a Short Board Bracket (P6) and insert into the housing that is welded to the Left Top Bracket (P3). Line up holes and slot and scw in a threaded Adjustment Knob (P4) as shown in Illustration #3. Repeat this step for the Right Top Bracket (P2).

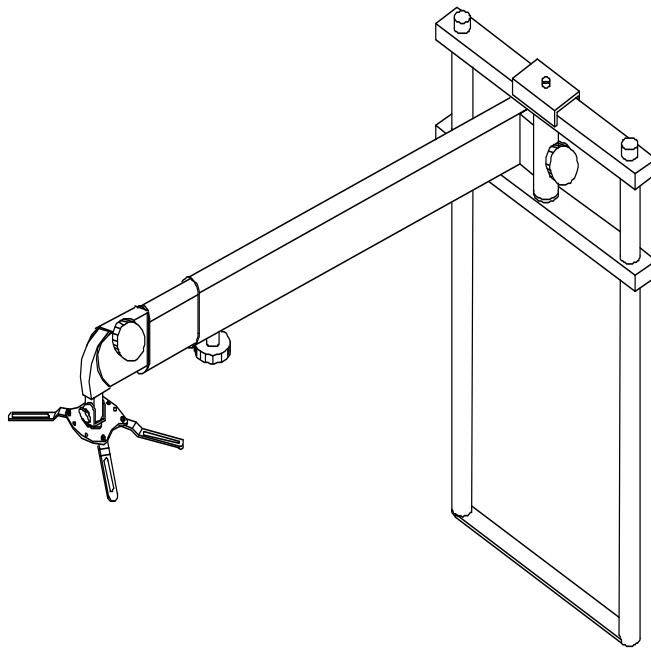


- 4.) Read Wall Mounting Warnings and Disclaimers on Page 2 before mounting your unit to the wall.
- 5.) Attach the iTeach Unit (P1) to the wall using two Bottom Wall Brackets (P8) over the bottom tube of the rear frame and secure to the wall using the appropriate hardware for your type wall. Space the brackets as far apart as possible. Attach two Top Wall Brackets (P9) under the top tube on the rear frame and secure to the wall using the appropriate hardware also as shown in Illustration #4.



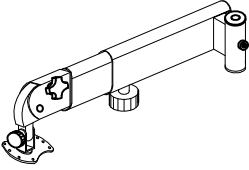
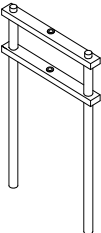


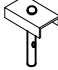
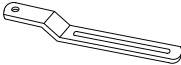


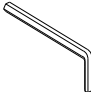





#66607, 66608, 66609 Adjustable Height Wall Mount Arms



Assembly Instructions

Wall Mount Arm

Part	Drawing	Description	Qty	Part	Drawing	Description	Qty
P-1		Arm	1 EA	Hardware List			
P-2		Yoke	1 EA	A		Knob	2 EA
P-3		Yoke Strap	1 EA	B		Arm Pin	1 EA
				C		Projector Mount Finger	4 EA
				D		Screws M6 x 15mm	6 EA
				E		Small Allen Wrench	1 EA
				F		Large Allen Wrench	1 EA
				G		Hex Nut M6	4 EA
				H		Large Washer	2 EA
				J		Small Washer	4 EA

DISCLAIMER

MooreCo, Inc. makes no claim that the information contained herein covers all details, conditions, variations, nor does it provide for every possible contingency in connection with the installation or use of this product.

Failure to provide adequate structural strength for the installation of this kit can result in serious personal injury or damage to the equipment! It is the installer's responsibility to make sure the structure to which this mount is attached can support three times the combined weight of all equipment.

It is also the installer's responsibility to determine the type of wall and the best wall mounting hardware to use for the safe installation of this equipment. Follow the hardware suppliers instructions for the correct predrill and hole depth for your wall and the type anchor you have chosen.



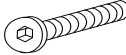















Do not use unless all screws are tight. At least every six months, check all screws to be sure they are tight. If parts are missing, broken, damaged, or worn, stop use of the product until repairs are made by your dealer using factory authorized parts.

Note:

MooreCo has included a Projector Mount Hardware Kit that will allow you to mount many of the popular projectors to the Projector Mount Fingers (C).

Please select the proper size and length of screws to mount your type projector.

Projector Mount Hardware List

PMH-1		Flat Washer-Large	4 EA
PMH-2		Allen Head Screw-Small	4 EA
PMH-3		Allen Head Screw-Large	4 EA
PMH-4		Hex Nut-Small	4 EA
PMH-5		Hex Nut-Large	4 EA
PMH-6		Flat Washer-Small	4 EA
PMH-7		M6 X 12mm	4 EA
PMH-8		M6 X 25mm	4 EA
PMH-9		M5 X 12 mm	4 EA
PMH-10		M5 X 25mm	4 EA
PMH-11		M4 X 10mm	4 EA
PMH-12		M4 X 25mm	4 EA
PMH-13		M3 X 10mm	4 EA
PMH-14		M3 X 25mm	4 EA
PMH-15		M2.5 X 10mm	4 EA
PMH-16		8-32 X 3/8"	4 EA
PMH-17		8-32 X 1/4"	4 EA
PMH-18		Spacer	4 EA

Adjustable Height Wall Mount Arm Assembly Diagram

READ THROUGH INSTRUCTIONS FROM BEGINNING TO END BEFORE STARTING TO ASSEMBLE UNIT.

1.) Identify and Separate all the Parts and Hardware.

2.) Insert the Arm (P-1) in between the two horizontal tubes at the top of the Yoke (P-2). Secure in place using the Arm Pin (B) and Knob (A) as shown in Illustration #1.

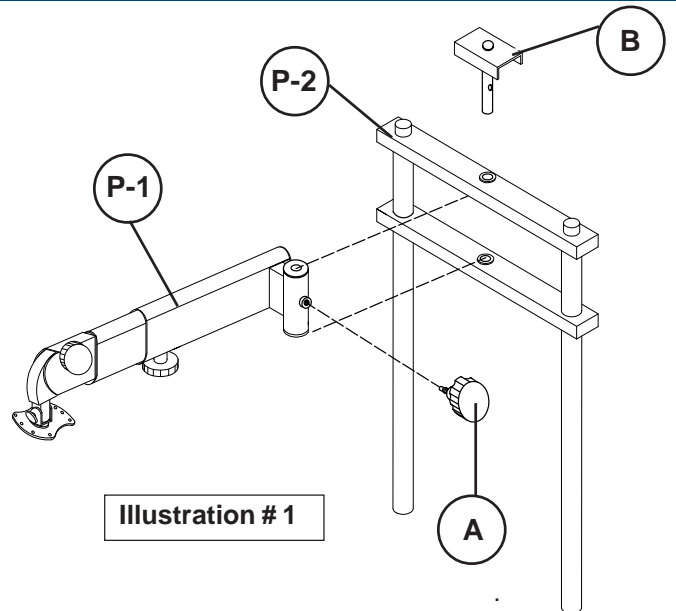


Illustration # 1

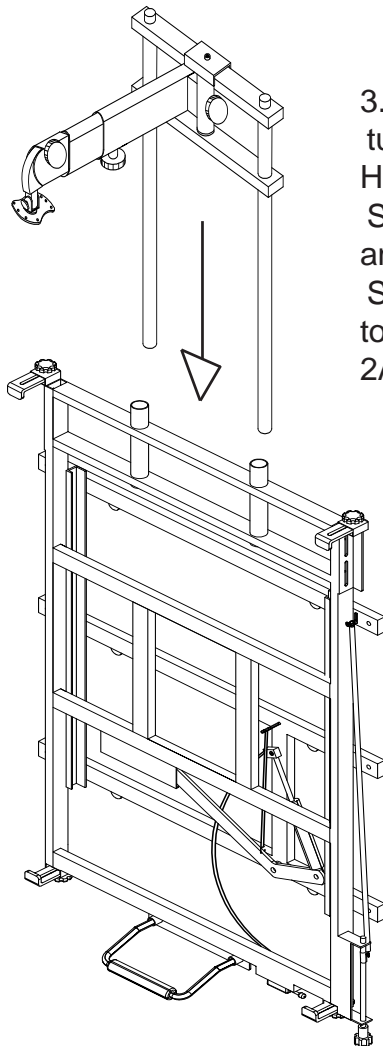
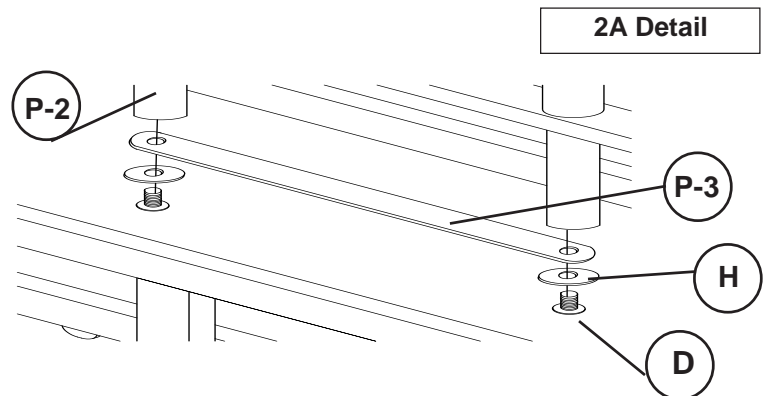


Illustration # 2

3.) Slide the Yoke (P-2) assembly's vertical tubes into the receiver tubes on the Adjustable Height Wall Mount frame. Attach the Yoke Strap (P-3) to the bottom of the Yoke (P-2) and secure with two Washers (H) and two Screws (D). Use the Small Allen Wrench (H) to tighten screws as shown in Illustration #2 and 2A detail.



2A Detail

Missing Parts or UPS Damaged Parts
For Your Convenience you can
EMAIL us at
support@moorecoinc.com
24HOURS 7 DAYS A WEEK

***Should you require assistance during assembly,
please call our Customer Service Department
Monday - Friday 8 a.m. - 5 p.m.
Central Standard Time 1-800-749-2258***

4.) Attach the Projector Mount Fingers (C) to the Arm (P-1) as shown in Illustration #3. Place a Small Washer (J) on top of each Projector Mount Finger (C) and under the figure 8 mount plate at the end of the Arm (P-1). Align the holes and insert a Screw (D) from the top and secure with a Hex Nut (G). Repeat this Step for each of the Projector Mount Fingers (C).

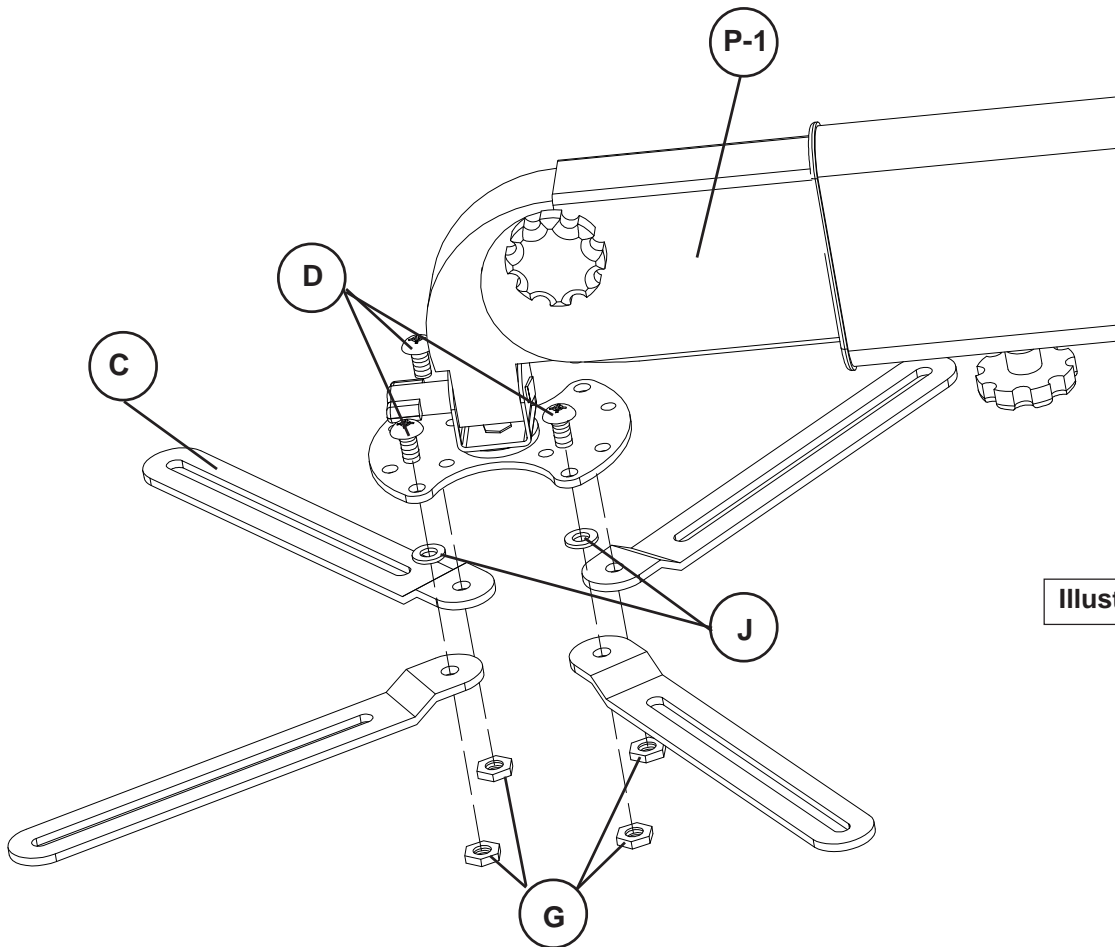


Illustration # 3