

# Makerspace Mobile Tables

**NEW!**

**in stock**

**Scratch-resistant HPL top**  
in Gray Nebula with platinum  
ABS edgebanding

**Notched cut-outs**  
allow tub carts to dock.  
Carts not included

**Durable edgebanding**  
comes standard in gray

37"H to  
fit stools

Tub carts not  
included

Tub carts not  
included

**Durable casters**  
provide easy mobility



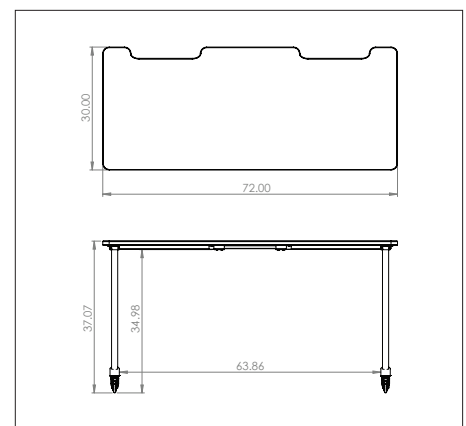
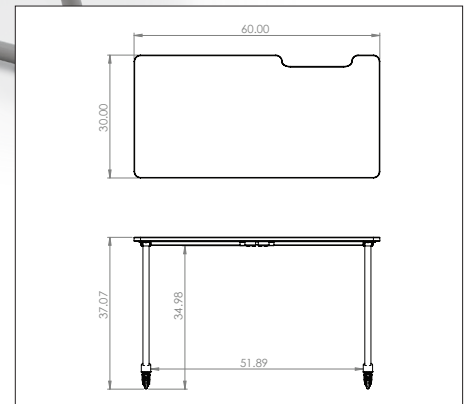
# Touchboards

205 Westwood Ave, Long Branch, NJ 07740  
Phone: 866-94 BOARDS (26273) / (732)-222-1511  
Fax: (732)-222-7088 | E-mail: [sales@touchboards.com](mailto:sales@touchboards.com)



Item	Specification
Top	HPL top in Gray Nebula with platinum ABS edgeband
Dimensions	37.07"H x 60"W x 30"D 37.07"H x 72"W x 30"D
Frame	Powder-coated steel frame with platinum finish
Casters	3" skate casters, two locking

**Handle Color Options:**



## Makerspace Mobile Tables

- Makerspace Mobile Tables were created to make the most of your makerspace
- Totally movable for flexible individual or group work, and with the additional docking tub storage, you have your supplies and tools coordinated to your project.
- The Makerspace Tables have storage docking cutouts that allow you a better reach and access to your project.
- With the 37" counter height, you can either sit or stand while you tinker. When you add the Makerspace Tub Carts, you assure your tools are out where you need them, or simply stored under the coordinated table when not in use.
- Commercial quality 3" skate casters (two locking) and sturdy handle make for quick transport and mobility.
- Durable, washable laminate tops. Comes standard with gray edgebanding.
- Covered by MooreCo's 12 year limited warranty.

Part No.	Item	Product Dimensions	Ship Wt.
<b>Makerspace Mobile Tables</b>			
91416-XXXX	Makerspace Mobile Table 6030	37.07"H x 60"W x 30"D	87 lbs
91415-XXXX	Makerspace Mobile Table 7230	37.07"H x 72"W x 30"D	98 lbs

Shipping weights are listed on a per item basis and may vary based on quantities ordered.



**MooreCo | Balt | Best-Rite**

2885 Lorraine Avenue | Temple, TX 76501  
P: 800.749.2258 | F: 866.888-7483  
[www.moorecoinc.com](http://www.moorecoinc.com)