

## Hierarchy Activity Table

Product Number: 66681, 66682

### OVERVIEW

Activity Tables bring simplicity and functionality made to fit any classroom or study setting.

### TOP

The top is made of 1 1/8" Particleboard Core with 3mm Flat Vinyl T-Mold Edge. The work surface is constructed of 45# particleboard core with high pressure laminate (HPL) top surface and phenolic backer sheet for balanced construction. 1 1/8" 3mm flat vinyl t-mold is secured to the work surface with brad nails along the perimeter. Stretcher bars are standard on tops 60" long and longer.

### LEGS

A 13" long 1.32" diameter 16 Ga steel tube with M6 threaded holes in 1" increments is inserted into a 20" long 1.5" diameter 14 Ga silver powder coated steel tube. The outer tube is welded to a 4.75" x 6" triangular 10 Ga steel plate and two 12 Ga triangular ribs. The outer and inner tubes are attached to each other with two M6 x 15mm screws that allow for total height adjustability from 22" to 32" for standard legs and 12" to 18" for kids height legs. Caster and glide inserts are available.



### LAMINATE OPTIONS:



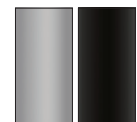
Amber Cherry Asian Night Castle Oak Fusion Maple Graphite Nebula Gray Elm Gray Nebula Low Line White Board

### EDGE COLORS:



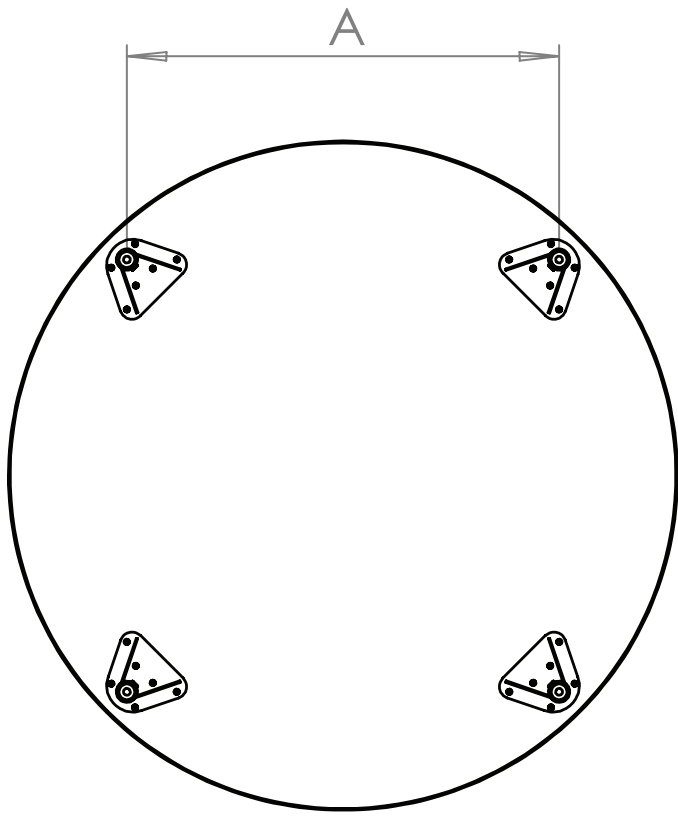
Black Platinum Cool Gray Purple Navy Blue Green Yellow Orange Red

### LEG COLORS:

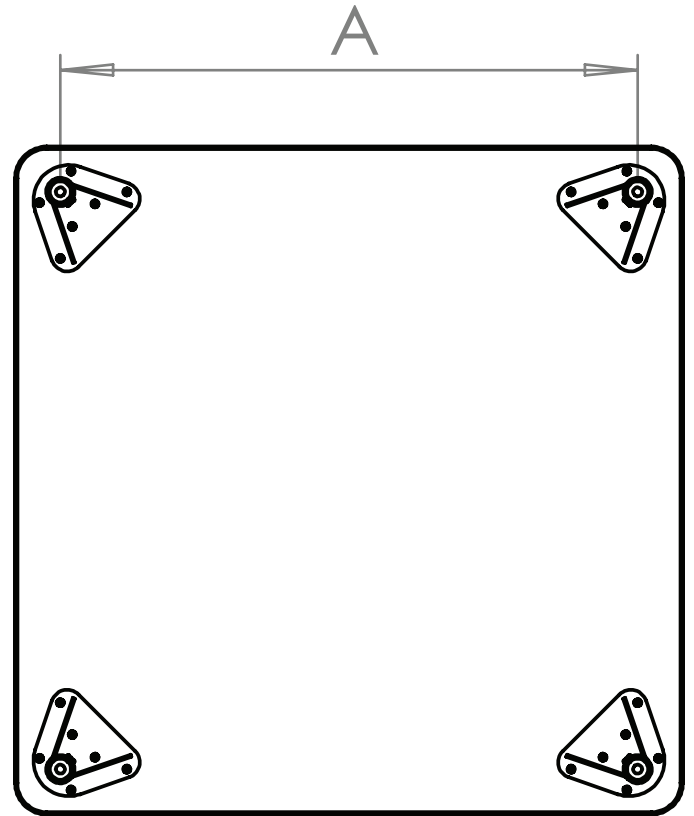


Platinum Black

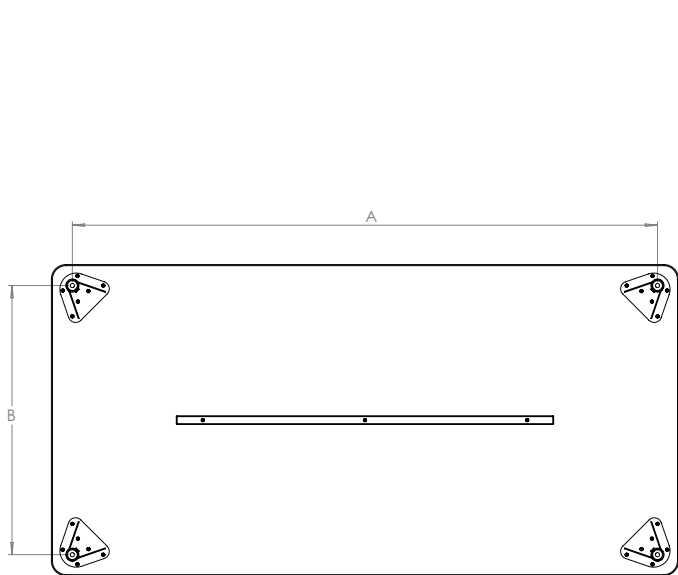
ROUND



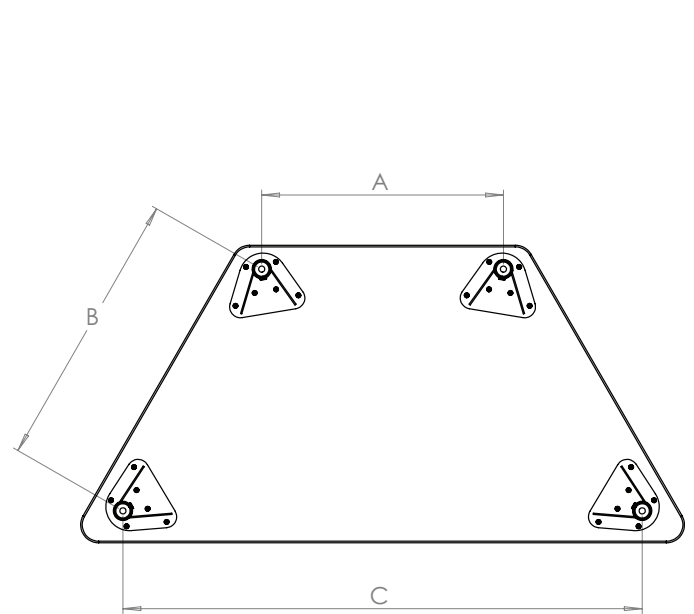
SQUARE



RECTANGLE

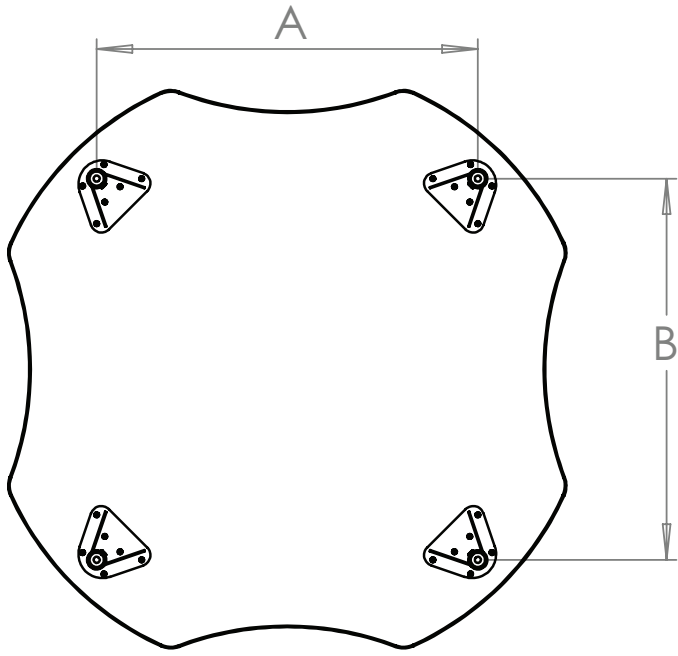


TRAPEZOID

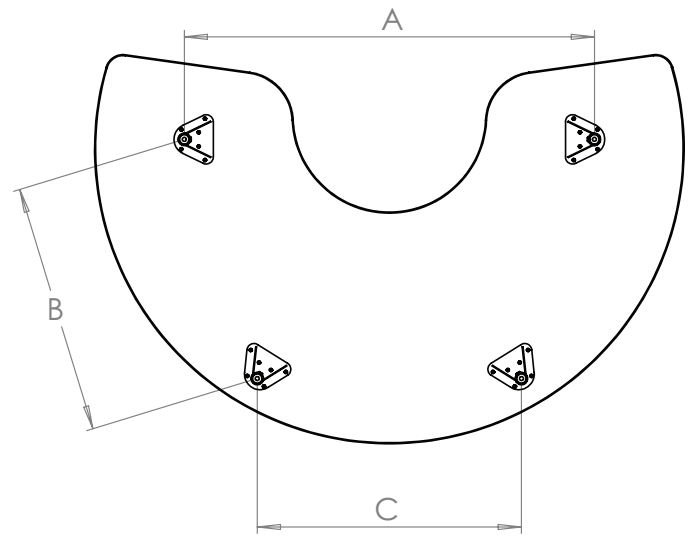


MooreCo, Inc.  
2885 Lorraine Avenue | Temple, TX 76501  
p: 800.749.2258 | f: 866.888.7483  
[www.moorecoinc.com](http://www.moorecoinc.com)

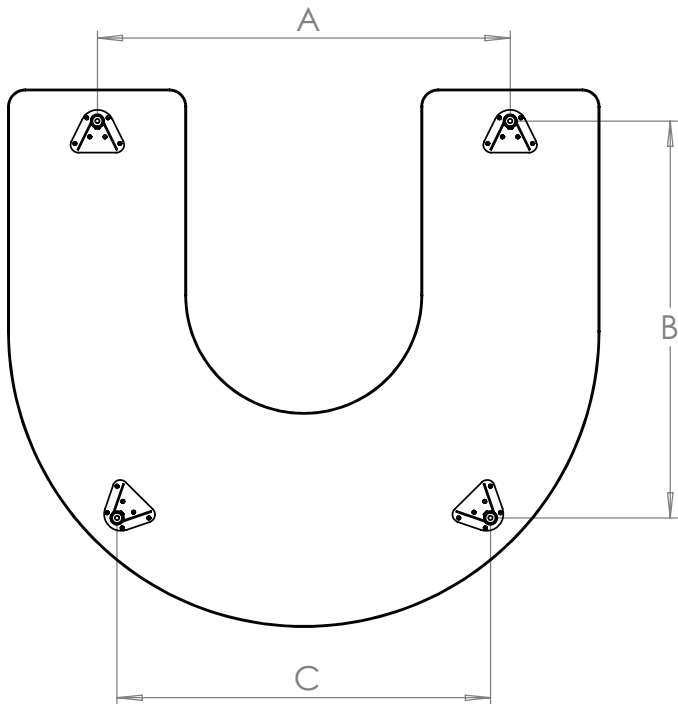
### CLOVER



### KIDNEY



### HORSESHOE



## ROUND

Base Model No. (Black / Platinum)	Description	A
66681-N-XXXX-XX / 66682-N-XXXX-XX	36 Round	22.45"
66681-P-XXXX-XX / 66682-P-XXXX-XX	42 Round	26.69"
66681-Q-XXXX-XX / 66682-Q-XXXX-XX	48 Round	30.60"

## SQUARE

Base Model No. (Black / Platinum)	Description	A	Stretcher Bar
66681-K-XXXX-XX / 66682-K-XXXX-XX	36 Square	30.69"	No
66681-L-XXXX-XX / 66682-L-XXXX-XX	48 Square	42.86"	No
66681-M-XXXX-XX / 66682-M-XXXX-XX	60 Square	55.02"	Yes

## RECTANGLE

Base Model No. (Black / Platinum)	Description	A	B	Stretcher Bar
66681-A-XXXX-XX / 66682-A-XXXX-XX	3624 Rectangle	30.69"	17.40"	No
66681-B-XXXX-XX / 66682-B-XXXX-XX	4824 Rectangle	42.86"	17.40"	No
66681-C-XXXX-XX / 66682-C-XXXX-XX	6024 Rectangle	53.60"	17.40"	Yes
66681--XXXX-XX / 66682-A-XXXX-XX	7224 Rectangle	65.60"	17.40"	Yes
66681-D-XXXX-XX / 66682-D-XXXX-XX	4830 Rectangle	42.86"	24.94"	No
66681-E-XXXX-XX / 66682-E-XXXX-XX	6030 Rectangle	53.60"	24.94"	Yes
66681-F-XXXX-XX / 66682-F-XXXX-XX	7230 Rectangle	65.60"	24.94"	Yes
66681-G-XXXX-XX / 66682-G-XXXX-XX	6036 Rectangle	53.60"	30.69"	Yes
66681-H-XXXX-XX / 66682-H-XXXX-XX	7236 Rectangle	65.60"	30.69"	Yes

## TRAPEZOID

Base Model No. (Black / Platinum)	Description	A	B	C
66681-R-XXXX-XX / 66682-R-XXXX-XX	48 Trapezoid	18.95"	21.85"	40.71"
66681-S-XXXX-XX / 66682-S-XXXX-XX	60 Trapezoid	25.71"	28.10"	53.16"

## CLOVER

Base Model No. (Black / Platinum)	Description	A	B
66681-T-XXXX-XX / 66682-T-XXXX-XX	48 Clover	29.95"	29.95"
66681-U-XXXX-XX / 66682-U-XXXX-XX	60 Clover	37.32"	37.32"

## KIDNEY

Base Model No. (Black / Platinum)	Description	A	B	C
66681-V-XXXX-XX / 66682-V-XXXX-XX	7248 Kidney	49.55"	30.21"	31.92"

## HORSESHOE

Base Model No. (Black / Platinum)	Description	A	B	C
66681-W-XXXX-XX / 66682-W-XXXX-XX	6660 Horseshoe	45.94"	44.17"	41.56"

