

MediaSpace Table- Small

Model No: 27749-XXXX-XX, 27750-XXXX-XX

OVERVIEW:

MediaSpace provides a gathering area to share ideas create. The work surface is tapered to provide unobstructed sightlines to mounted screens.

TOPS:

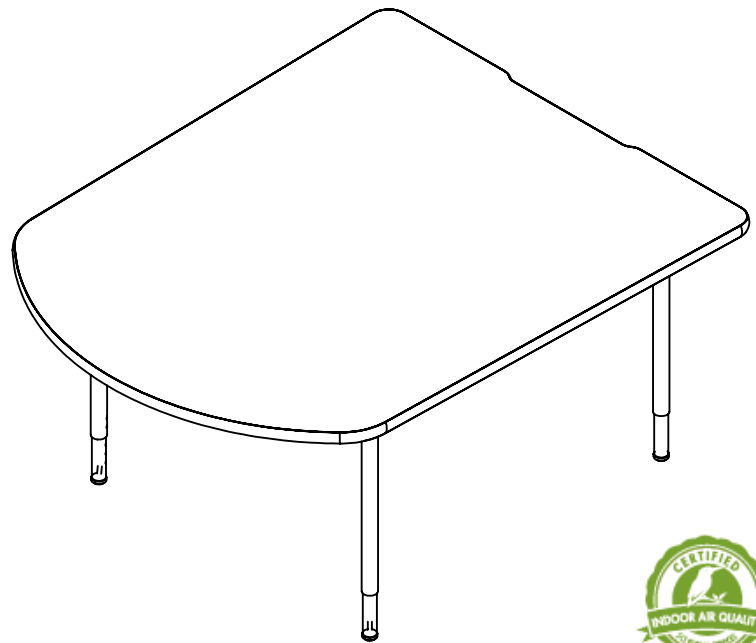
The top is made of 1 1/8" Particleboard Core with 3mm Flat Vinyl T-Mold Edge. The work surface is constructed of 45# particleboard core with high-pressure laminate (HPL) top surface and phenolic backer sheet for balanced construction. 1 1/8" 3mm flat vinyl t-mold is secured to the work surface with brad nails along the perimeter. Stretcher bars are standard on tops 60" long and longer.

LEG MOUNTING BRACKET:

Top includes factory installed 12-gauge galvanized steel leg mounting brackets at every leg location. Brackets are attached to the top using seven (7) #10 x 1" truss head wood screws. A 1/2" flange provides clearance for the leg top plate to slide underneath. Once the leg is installed in the mounting bracket, it is held in place by a single screw inserted into a 6mm metal insert installed in the work surface using a M6 x 20mm screw for a metal to metal connection.

LEG:

Adjustment range is from 22"-32" in 1" increments. Two M6 x 15MM low profile socket head screws with an allen drive are used to tighten the leg at the chosen height. Legs are constructed of a 1.5" diameter 14-gauge powder coat upper leg receiver and 34mm 17-gauge chrome plated lower leg insert with welded in threaded glide insert. The leg receiver is welded to a 12 gauge steel top plate. Legs are standard with nylon glides that have 3/4" height adjustment range for leveling, and an M10 threaded stem. 50mm single-hard wheel casters with a M10 threaded stem are available for easy field installation in locking and non-locking. Casters add 3" of height to the table.



OPTIONS / ACCESSORIES:

Mediaspace Table tops are available with a variety of laminate and edgeband options, as well as black or platinum legs.

Optional accessories include a pair of casters, a backpack hook, an enclosed book box, ganging device, and clamp mounted electrical unit.

COMPLIANCE:

Indoor Advantage Gold certified.

All Snap Desks pass BIFMA table and leg static load tests as well as leg pull test requirements.

LAMINATE OPTIONS:



Grey Nebula Amber Cherry Fusion Maple Asian Night Grey Elm Low Line Custom

EDGE COLORS:

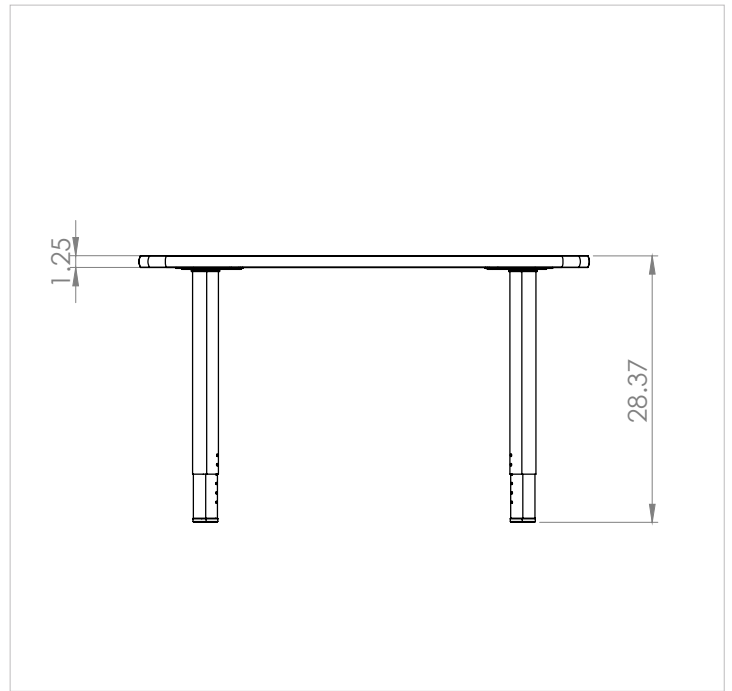
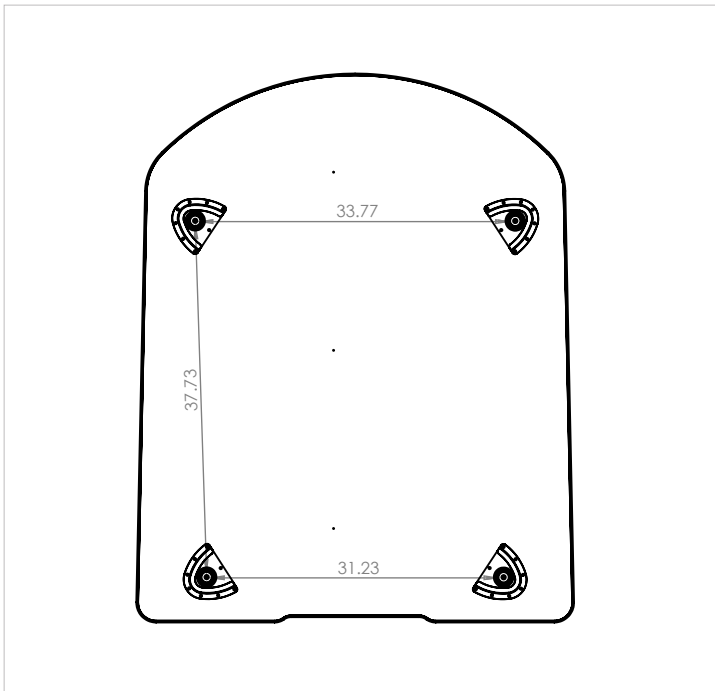
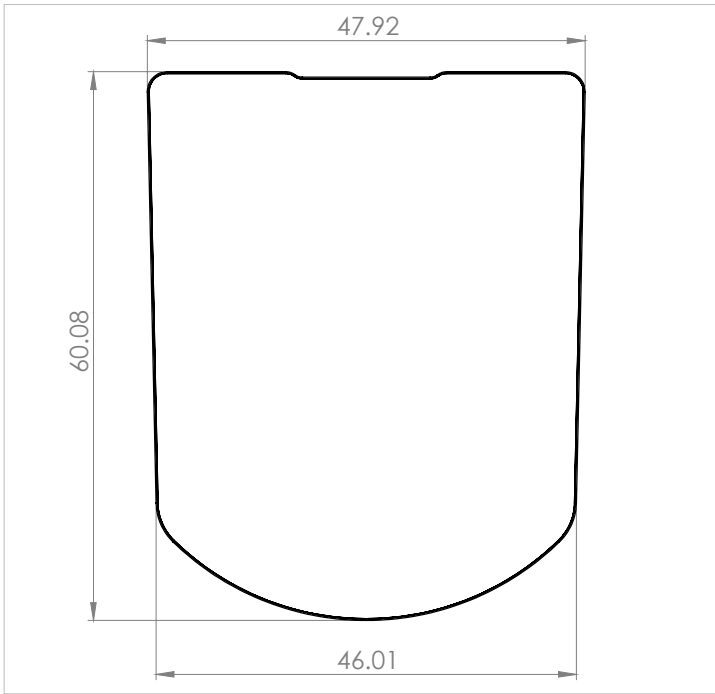


Black Cool Gray Navy Blue Green Yellow Orange Red

LEG COLORS:



Silver Black



DIMENSIONS:

Base Model No.	Height - Min. "	Height - Max. "	Overall Depth "	Overall Width "
27749-XXXX-XX	22"	32"	60"	46"
27750-XXXX-XX	22"	32"	60"	46"

ACCESSORIES:

Base Model No.	Product Name
66654	Student Desk Casters
66667	Pack Hook
66643, 66646	HG Clamp Monitor Arm(s)
66666	Pop-up Grommet Electrical
66675	Clamp Mount Electrical



MooreCo | Vanerum North America
 2885 Lorraine Avenue | Temple, TX 76501
 p: 800.749.2258 | f: 866.888.7483
www.moorecoinc.com | www.vanerumnorthamerica.com