

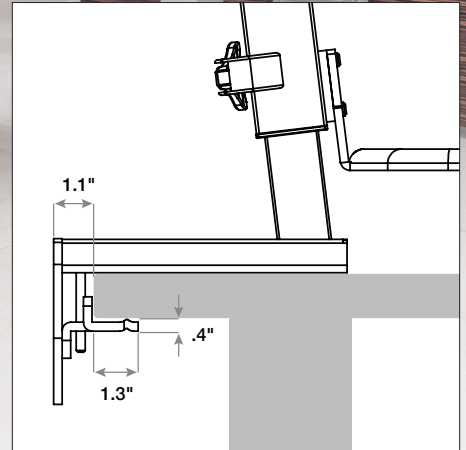
# Up-Rite

Rear Mount Desk Mounted Sit/Stand Workstation



NEW!

in stock



## Up-Rite Rear Mount Desk Mounted Sit/Stand Workstation

- The Up-Rite Rear Mount Desk Mounted Sit/Stand Workstation instantly transforms your existing desk into an ergonomic work space, allowing you to sit or stand as you work.
- Sitting for six to eight hours a day isn't ideal, and standing all day can be hard on you as well. By easily alternating your positions, you'll enjoy higher productivity, better posture, and have fewer energy dips.
- Easily attaches to your existing desk (up to 1.5" thick) to give you 18" of pneumatic height adjustability. Clamp mount requires a 1.3"D lip, and extends 1.1" beyond the desk edge when mounted.
- Simply disengage the locking mechanism and adjust to your desired height. Monitor mounts adjust 21" along the main tube for even more positioning options.
- Ideal for use with a tablet, laptop, or a desktop computer, the workstation includes retractable keyboard/mouse tray (27"W x 9.63"D).
- Available with either a single or dual monitor mount. VESA compatible mount from 75mm to 100mm. Single mount unit has a weight capacity of up to 15 lbs. Dual mount unit has a combined weight capacity of up to 30 lbs. Center to center maximum is 25".
- Includes 60' of cable management to keep your cords under control.
- TAA compliant.

Part No.	Description	Product Dimensions	Ship Wt.
<b>Up-Rite Rear Mount Desk Mounted Sit/Stand Workstation</b>			
91113*	Single Monitor Mount	42"H x 27.63"W x 30"D	26 lbs
91114*	Dual Monitor Mount	42"H x 27.63"W x 30"D	30 lbs

\*Ships UPS  
Shipping weights are listed on a per item basis and may vary based on quantities ordered.



**MooreCo | Balt | Best-Rite**

2885 Lorraine Avenue | Temple, TX 76501  
P. 800.749.2258 | F. 866.888-7483

[www.moorecoinc.com](http://www.moorecoinc.com)