





## High-Quality Display Solutions from a Market Leader

As a market leader in display solutions, Tripp Lite has the experience and expertise to help you optimize viewing angles in your environment. You can add mobility to your display, deter theft, enhance ergonomics and fine-tune the positioning of digital signage and point-of-sale screens to communicate your message more effectively.

VESA compliance (where applicable) makes it simple to choose a mount that will work with your display. All models include mounting hardware to make installation quick, easy and secure. Wall mounts include fasteners for walls with timber or masonry construction. Most mounts have a sturdy steel or aluminum frame to withstand the stress of repeated adjustments and tolerate use in public areas.

### SPECIFICATIONS

Model	Previous Model	Supported Screen Sizes	Weight Capacity	Mounting Profile (Surface to Display)	VESA Compliance	Tilt	Swivel	Rotate/Screen Level	Feature Focus (pp. 4-16)
<b>MOBILE FLOOR STANDS</b>									
DMCS3770L	—	37 to 70 in.	88 lb.	—	200x200, 300x300, 400x200, 400x400, 600x400	-10° to +10°	—	—	4A
DMCS3270XP	—	32 to 70 in.	150 lb.	—	200x200, 300x300, 400x200, 400x400, 600x400	-12° to +5°	—	90°	4B
DMCS60100XX	—	60 to 100 in.	220 lb.	—	200x200, 300x300, 400x200, 400x400, 600x400, 800x400, 800x600, 1000x600	-10° to +5°	—	—	4C
WWSSRC	—	—	4 x 33 lb.	—	N/A	—	—	—	4D
<b>SECURITY WALL MOUNTS</b> <small>Function- and weight-tested to higher value in accordance with UL Standard 2442.</small>									
DWFSC3255MUL	—	32 to 55 in.	99 lb./150 lb.*	1 in.	200x200, 300x300, 400x200, 400x400	—	—	—	5A
DWFSC3780MUL	—	37 to 80 in.	88 lb./200 lb.*	0.9 in.	300x300, 400x200, 400x400, 600x400	—	—	—	5B
DWTSC3255MUL	—	32 to 55 in.	99 lb./150 lb.*	2.3 in.	200x200, 300x300, 400x200, 400x400	-15° to +10°	—	—	5C
DWTSC3780MUL	—	37 to 80 in.	88 lb./200 lb.*	2 in.	300x300, 400x200, 400x400, 600x400	-10° to +5°	—	—	5D
DWMSC3780MUL	—	37 to 80 in.	88 lb./200 lb.*	3 to 21.6 in.	300x300, 400x200, 400x400, 600x400, 800x400	-10° to +5°	180°	-4° to +4°	5E
<b>DESKTOP MOUNTS</b>									
DDR1032SE	—	10 to 32 in.	36 lb.	—	75x75, 100x100	-15° to +15°	180°	360°	6A
DDR1026SD	—	10 to 26 in.	2 x 30 lb.	—	75x75, 100x100	-15° to +15°	180°	360°	6B
DDR1026MQ	—	10 to 26 in.	4 x 30 lb.	—	75x75, 100x100	-15° to +15°	180°	360°	6C
DDR1327SDD	DDR1326SD	13 to 27 in.	2 x 25 lb.	—	75x75, 100x100	-45° to +45°	15°	360°	6D
DDR1527SDC**	—	15 to 27 in.	2 x 20 lb.	—	75x75, 100x100	-20° to +20°	20°	360°	6E
<b>CLAMP-ON MOUNTS</b>									
DDR1327S	DDR1323S	13 to 27 in.	20 lb.	—	75x75, 100x100	-40° to +90°	180°	360°	7A
DDR1327SFC	—	13 to 27 in.	22 lb.	—	75x75, 100x100	-15° to +15°	180°	360°	7B
DDR1327SDFC	—	13 to 27 in.	2 x 22 lb.	—	75x75, 100x100	-15° to +15°	180°	360°	7C
DDR1327SQFC	—	13 to 27 in.	4 x 22 lb.	—	75x75, 100x100	-15° to +15°	180°	360°	7D
DDR1327DCS	—	13 to 27 in.	2 x 22 lb.	—	75x75, 100x100	-80° to +90°	180°	360°	7E
DDR1327NBMSC	—	13 to 27 in. (monitor)/Up to 15 in. (laptop)	22 lb. (monitor)/11 lb. (laptop)	—	75x75, 100x100	-80° to +90° (monitor)/25° (laptop)	180°	360°	7F
DDR1527SDC**	—	15 to 27 in.	2 x 20 lb.	—	75x75, 100x100	-20° to +20°	20°	360°	6E
<b>WORKWISE™ ADJUSTABLE-HEIGHT WORKSTATIONS</b> <small>Mounting profile is the maximum extension of the workstation.</small>									
WWSS1327CP	—	13 to 27 in.	29 lb.	49.8 in.	75x75, 100x100	-13° to +45°	150°	360°	8A
WWSS1332C	—	13 to 32 in.	17.6 lb.	45.3 in.	75x75, 100x100	-15° to +15°	180°	360°	8B
WWSS1332W	—	13 to 32 in.	17.6 lb.	41.7 in.	75x75, 100x100	-15° to +15°	180°	360°	8C
WWSS1327RWTC	—	13 to 27 in.	13.2 lb.	32.8 in.	75x75, 100x100	-15° to +15°	180°	360°	8D
WWSSDT	—	—	29 lb.	—	N/A	—	—	—	9A
WWSSDC	—	—	29 lb.	—	N/A	—	—	—	9B
WWSSD3622	—	—	33 lb.	—	N/A	—	—	—	9C
WWSSRC	—	—	4 x 33 lb.	—	N/A	—	—	—	4D
<b>DUAL-MONITOR ADAPTER</b>									
DMA1327SD	—	13 to 27 in.	2 x 22 lb.	—	75x75, 100x100	-45° to +45°	-15° to +15°	180°	9D
<b>AC/USB CHARGING CLIP</b>									
DMACUSB	—	—	—	—	N/A	—	—	—	9E

## SPECIFICATIONS Continued

Model	Previous Model	Supported Screen Sizes	Weight Capacity	Mounting Profile (Surface to Display)	VESA Compliance	Tilt	Swivel	Rotate/Screen Level	Feature Focus (pp. 4-16)
<b>CPU MOUNT</b>									
DCPU1	—	—	40 lb.	—	N/A	—	—	—	10A
<b>THIN-CLIENT MOUNT</b>									
DMATC	—	—	11 lb.	—	75x75, 100x100	—	—	—	10B
<b>TABLET MOUNTS</b>									
DDR0310SC	—	3.5 to 10 in.	2.2 lb.	9.8 in.	N/A	—	—	360°	10C
DDR1013SC	—	10 to 13.5 in.	3.1 lb.	23.4 in.	N/A	—	—	360°	10D
DDR0710SC	—	7 to 10 in.	2.2 lb.	4.8 in.	N/A	-90° to +90°	360°	360°	10E
DDR0810TRI	—	8 to 10 in.	2.2 lb.	—	N/A	-30° to +30°	30°	360°	10F
<b>WALL MOUNTS (FIXED)</b>									
DWF1327M	DWF1323M	13 to 27 in.	88 lb.	0.6 in.	50x50, 75x75, 100x100	—	—	—	11A
DWF2655X	DWF2647X	26 to 55 in.	165 lb.	1.2 in.	200x200, 300x300, 400x200, 400x400	—	—	—	11B
DWFSC3255MUL	—	32 to 55 in.	99 lb./150 lb.*	1 in.	200x200, 300x300, 400x200, 400x400	—	—	—	5A
DWF3270X	DWF3260X	32 to 70 in.	165 lb.	1.2 in.	200x200, 300x300, 400x200, 400x400, 600x400	—	—	—	11C
DWF3770L	—	37 to 70 in.	143 lb.	0.8 in.	300x300, 400x200, 400x400, 600x400, 800x400	—	—	—	11D
DWFSC3780MUL	—	37 to 80 in.	88 lb./200 lb.*	0.9 in.	300x300, 400x200, 400x400, 600x400	—	—	—	5B
DWF4585X	—	45 to 85 in.	200 lb.	1.4 in.	200x200, 300x300, 400x200, 400x400, 600x400, 800x400	—	—	—	11E
DWF60100XX	—	60 to 100 in.	350 lb.	1.3 in.	200x200, 300x300, 400x200, 400x400, 600x400, 800x400, 800x600, 900x600	—	—	—	11F
<b>CEILING MOUNTS</b>									
DCTM	—	23 to 42 in.	66 lb.	24 to 34 in.	75x75, 100x100, 100x200, 200x200	-20° to 0°	90°	—	12A
DUNVPJT	—	—	55 lb.	—	N/A	-20° to +20°	360°	—	12B
<b>WALL MOUNTS (TILT)</b>									
DWT1327S	DWT1323S	13 to 27 in.	88 lb.	1.4 in.	75x75, 100x100	-15° to +10°	—	—	12C
DWT2655XE	DWT2647XE	26 to 55 in.	165 lb.	1.8 in.	200x200, 300x300, 400x200, 400x400	-10° to 0°	—	—	12D
DWT2655XP	DWT2647XP	26 to 55 in.	165 lb.	2.5 in.	200x200, 300x300, 400x200, 400x400	-10° to +10°	—	—	13A
DWTSC3255MUL	—	32 to 55 in.	99 lb./150 lb.*	2.3 in.	200x200, 300x300, 400x200, 400x400	-15° to +10°	—	—	5C
DWT3270X	DWT3260X	32 to 70 in.	165 lb.	1.8 in.	200x200, 300x300, 400x200, 400x400, 600x400	-10° to 0°	—	—	13B
DWT3770X	DWT3763X	37 to 70 in.	200 lb.	1.8 in.	200x200, 300x300, 400x200, 400x400, 600x400, 800x400	-10° to 0°	—	—	13C
DWT3780XUL	—	37 to 80 in.	165 lb.	1.8 in.	200x200, 300x300, 400x200, 400x400, 600x400, 800x400	-10° to 0°	—	—	13D
DWTSC3780MUL	—	37 to 80 in.	88 lb./200 lb.*	2 in.	300x300, 400x200, 400x400, 600x400	-10° to +5°	—	—	5D
DWT4585X	—	45 to 85 in.	200 lb.	2.5 in.	200x200, 300x300, 400x200, 400x400, 600x400, 800x400	-10° to +10°	—	—	13E
DWT60100XX	—	60 to 100 in.	350 lb.	5.1 in.	200x200, 300x300, 400x200, 400x400, 600x400, 800x400, 800x600, 1000x400, 1000x600, 1000x800	-15° to +15°	—	—	13F
<b>WALL MOUNTS (SWIVEL/TILT/ROTATE)</b>									
DWM1327SE	DWM1323SE	13 to 27 in.	33 lb.	4.1 to 15.9 in.	75x75, 100x100	-15° to +15°	180°	—	14A
DWM1327SP	DWM1323SP	13 to 27 in.	33 lb.	2.2 to 22.8 in.	75x75, 100x100	-15° to +15°	180°	-2° to +2°	14B
DWM1742S	DWM1737S	17 to 42 in.	44 lb.	2.2 to 22.8 in.	100x100, 200x100, 200x200	-15° to +15°	180°	-3° to +3°	14C
DWM1742MA	DWM1737MA	17 to 42 in.	77 lb.	2.2 to 20.1 in.	75x75, 100x100, 200x100, 200x200	-15° to +15°	180°	-3° to +3°	14D
DWM1742MN	DWM1737MN	17 to 42 in.	115 lb.	3.5 in.	75x75, 100x100, 200x100, 200x200	-15° to +15°	80°	-4° to +4°	14E
DWM2655M	DWM2342M	26 to 55 in.	110 lb.	4.9 to 20.3 in.	200x200, 300x300, 400x200, 400x400	-15° to +15°	120°	-5° to +5°	14F
DWM3750S	—	37 to 50 in.	40 lb.	2.7 to 24.9 in.	75x75, 100x100, 200x200, 400x400	-15° to +15°	180°	360°	15A
DWM3770X	—	37 to 70 in.	165 lb.	4.6 to 20.6 in.	200x200, 300x300, 400x200, 400x400, 600x400	-15° to +15°	120°	-3° to +3°	15B
DWM3770PLX	—	37 to 70 in.	110 lb.	1.8 in.	200x200, 300x300, 400x200, 400x400, 600x400	—	—	90°	15C
DWMSC3780MUL	—	37 to 80 in.	88 lb./200 lb.*	3 to 21.6 in.	300x300, 400x200, 400x400, 600x400, 800x400	-10° to +5°	180°	-4° to +4°	5E
DWM60100XX	—	60 to 100 in.	275 lb.	2.8 to 24.6 in.	200x200, 300x300, 400x200, 400x400, 600x400, 600x900, 800x400, 800x600	-15° to +5°	90°	-3° to +3°	15D
<b>RAIL WALL MOUNTS</b>									
DMR1024X2	—	10 to 24 in.	2 x 17.6 lb.	3.35 in.	75x75, 100x100	-15° to +15°	20°	360°	15E
DMR1015X3	—	10 to 15 in.	3 x 17.6 lb.	3.35 in.	75x75, 100x100	-15° to +15°	20°	360°	15F
<b>MONITOR RISERS</b>									
MR1612	—	—	40 lb.	—	N/A	—	—	—	16A
MR1612D1	—	—	40 lb.	—	N/A	—	—	—	16B
MR1208TRAY	—	—	40 lb.	—	N/A	—	—	—	16C
MR1815SWVL	—	—	88 lb.	—	N/A	—	360°	—	16D
MR1220M	—	—	44 lb.	—	N/A	—	—	—	16E
MR1411M	—	—	44 lb.	—	N/A	—	—	—	16F
MR1812M	—	—	44 lb.	—	N/A	—	—	—	16G
MR2208G	—	—	40 lb.	—	N/A	—	—	—	16H

All models have a 5-year limited warranty, except DMACUSB has a one-year limited warranty. \* Function- and weight-tested to higher value in accordance with UL Standard 2442. \*\* DDR1527SDC includes a desktop stand and a desk clamp.

## Mobile Floor Stands

- Bring the message to the audience with the convenience and placement versatility of an A/V stand on wheels.
- Display height is adjustable for optimized viewing.
- DMCS60100XX accommodates displays and popular brands of interactive whiteboards.



### 4A DMCS3770L (Mobile Stand)

Display Height Adjusts from 52.5 to 67.5 in.

Adjustable Shelf for Laptop or DVD Player

Cable Management Pass-Through Openings

Locking Casters (2)

+10°  
-10°

37 to 70 in.

MAX  
88 lb.

VESA  
200x200, 300x300, 400x200, 400x400, 600x400

### 4B DMCS3270XP (Mobile Stand with Rotatable Display Mount)

Upper Shelf for Webcam or Projector

Display Height Adjusts from 47 to 81.5 in.

Lower Shelf for Laptop or DVD Player

Cable Management Pass-Through Openings

Locking Casters (4)

+5°  
-12°  
90°

32 to 70 in.

MAX  
150 lb.

VESA  
200x200, 300x300, 400x200, 400x400, 600x400

### 4C DMCS60100XX (Heavy-Duty Mobile Stand)

Upper Shelf for Webcam or Projector

Display Height Adjusts from 47 to 65 in.

Lower Shelf for Laptop or DVD Player

Cable Management Pass-Through Openings

Locking Casters (4)

+5°  
-10°

60 to 100 in.

MAX  
220 lb.

VESA  
200x200, 300x300, 400x200, 400x400, 600x400, 800x400, 800x600, 1000x600

### 4D WWSSRC (Mobile Workstation)

Height Adjusts from 32 to 49 in. (Keyboard Shelf)

Monitor Shelf is 27.5 x 14 in.

Top Two Shelves Have a 5 in. Height Difference and Move Together

Weight Capacity per Shelf is 33 lb.

Locking Casters (2)

4 x 33 lb.

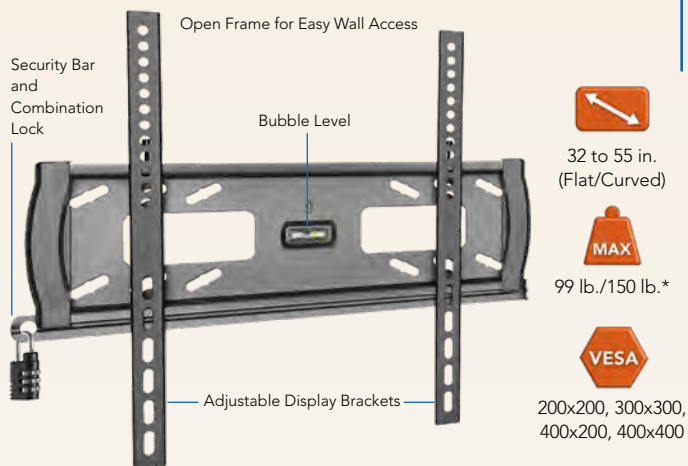




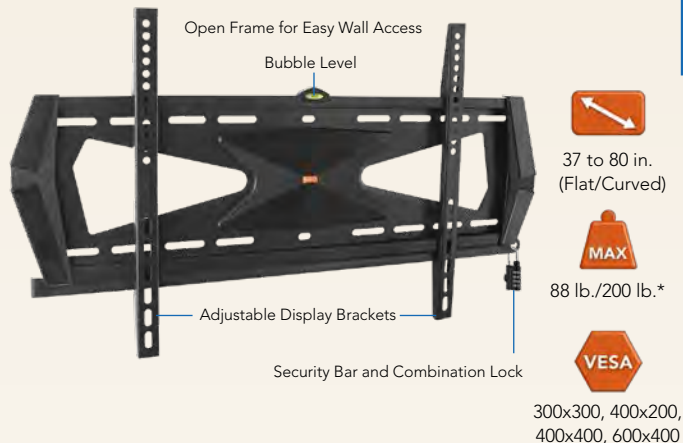
## Security Wall Mounts

- Deter theft of displays, especially in public areas with unguarded traffic.
- Solid steel security bar slides through the mounting brackets and is secured with a combination lock (included).
- Display keeps the mount and security features out of sight for a sleek, professional appearance.

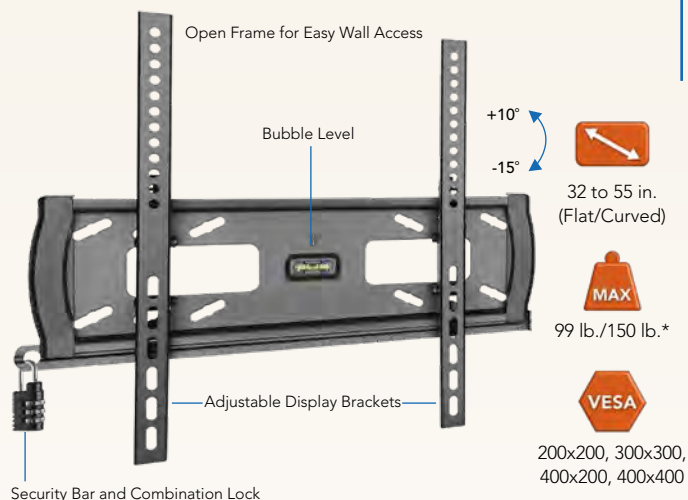
### 5A DWFSC3255MUL (Fixed Security Wall Mount)



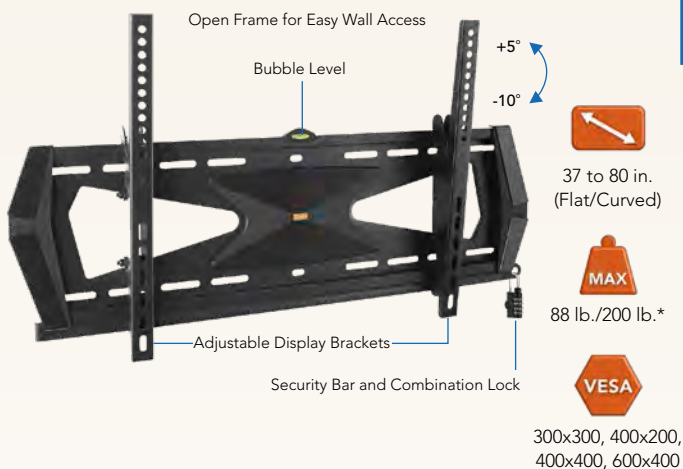
### 5B DWFSC3780MUL (Fixed Security Wall Mount)



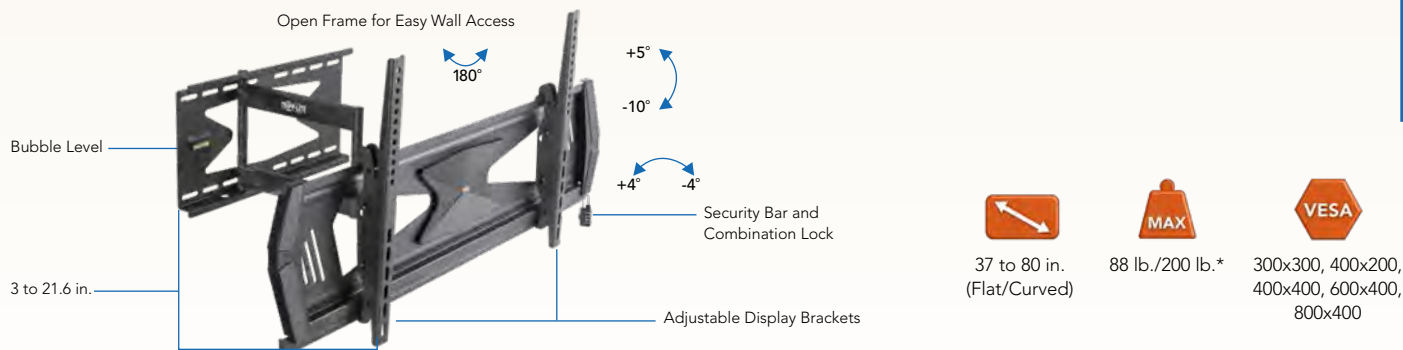
### 5C DWTSC3255MUL (Tilt Security Wall Mount)



### 5D DWTSC3780MUL (Tilt Security Wall Mount)



### 5E DWMSC3780MUL (Full-Motion Security Wall Mount)



\* Function- and weight-tested to higher value in accordance with UL Standard 2442.

## Desktop & Clamp-On Mounts

- Increase available desk/table space in office workstation applications.
- Convenient one-touch display adjustment provides easy view optimization and improved ergonomics for varied tasks throughout the workday.



### 6A DDR1032SE (Single-Screen Stand)



10 to 32 in.

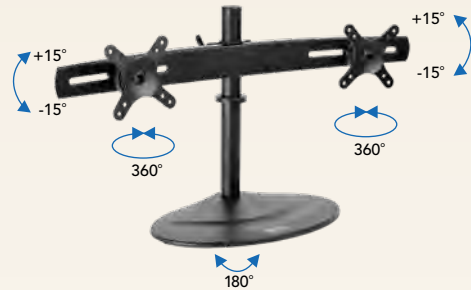


36 lb.



75x75, 100x100

### 6B DDR1026SD (Dual-Screen Stand)



10 to 26 in.

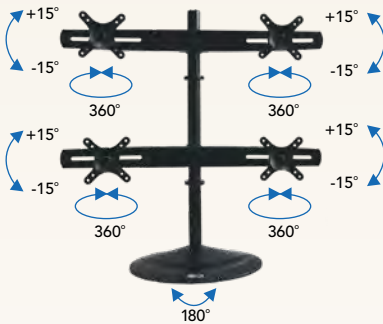


2 x 30 lb.



75x75, 100x100

### 6C DDR1026MQ (Quad-Screen Stand)



10 to 26 in.



4 x 30 lb.



75x75, 100x100

### 6D DDR1327SDD (Dual-Screen Stand)

Previous Model Number: DDR1326SD



13 to 27 in.



2 x 25 lb.



75x75, 100x100

### 6E DDR1527SDC (Dual-Screen Stand/Clamp)



15 to 27 in.



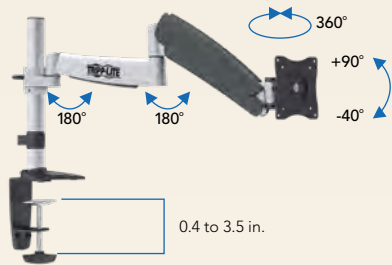
2 x 20 lb.



75x75, 100x100

## 7A DDR1327S (Full Motion)

Previous Model Number: DDR1323S



13 to 27 in.



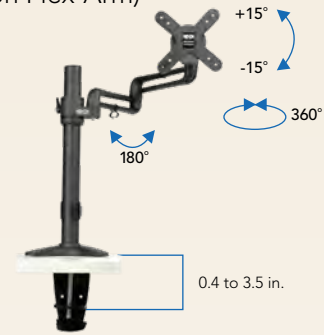
20 lb.



75x75, 100x100

## 7B DDR1327SFC (Full-Motion Flex-Arm)

(Full-Motion Flex-Arm)



13 to 27 in.



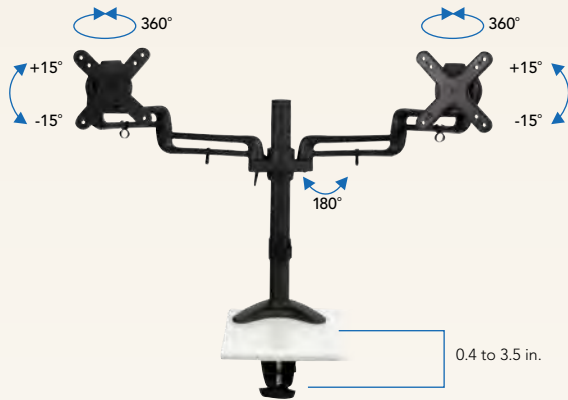
22 lb.



75x75, 100x100

## 7C DDR1327SDFC (Dual Full-Motion Flex-Arm)

(Dual Full-Motion Flex-Arm)



13 to 27 in.



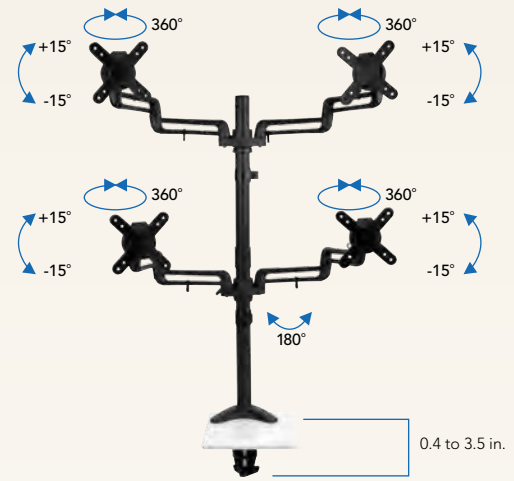
2 x 22 lb.



75x75, 100x100

## 7D DDR1327SQFC (Quad Full-Motion Flex-Arm)

(Quad Full-Motion Flex-Arm)



13 to 27 in.



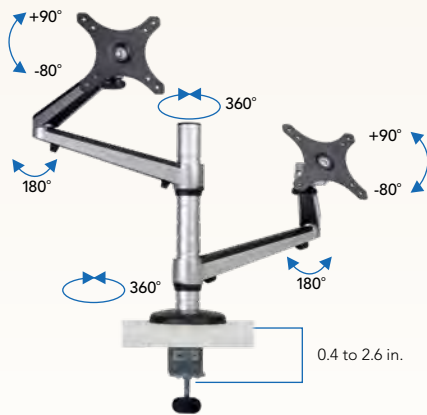
4 x 22 lb.



75x75, 100x100

## 7E DDR1327DCS (Dual Full-Motion Flex-Arm)

(Dual Full-Motion Flex-Arm)



13 to 27 in.



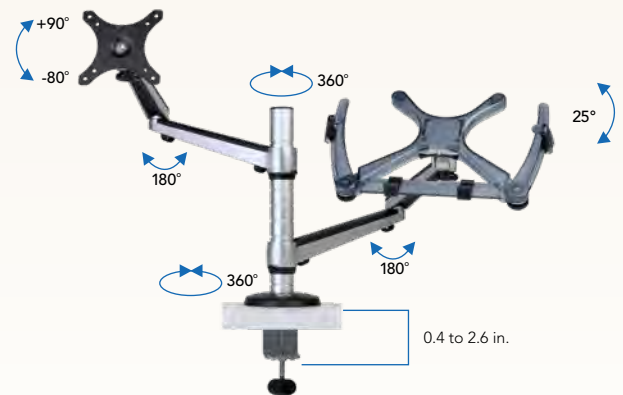
2 x 22 lb.



75x75, 100x100

## 7F DDR1327NBMSC (Full Motion for Monitors and Laptops)

(Full Motion for Monitors and Laptops)



13 to 27 in. (Monitor)  
Up to 15 in. (Laptop)



22 lb. (Monitor)  
11 lb. (Laptop)



75x75, 100x100

# WorkWise™ Adjustable-Height Workstations

- Adjust workstation height to alternate between sitting and standing throughout the workday.
- Convert a fixed-height desk or other flat work surface into a custom-height workstation.
- Extra-large keyboard tray accommodates most popular brands.



## 8A WWSS1327CP (Desk-Clamp Workstation)



13 to 27 in.



29 lb.



75x75, 100x100

## 8B WWSS1332C (Desk-Clamp/Grommet Mount Workstation)



13 to 32 in.



17.6 lb.



75x75, 100x100

## 8C WWSS1332W (Wall-Mount Workstation)



13 to 32 in.

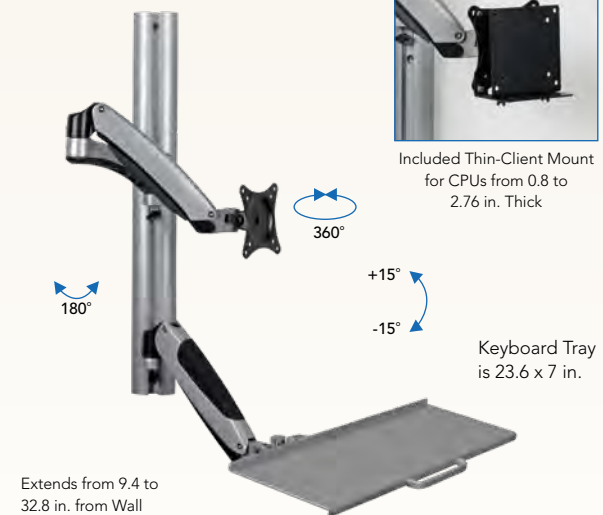


17.6 lb.



75x75, 100x100

## 8D WWSS1327RWTC (Wall-Mount Workstation)



13 to 27 in.



13.2 lb.



75x75, 100x100



## Potential Benefits of Standing

Initial studies and user reports suggest that standing for part of the day has a range of potential benefits:

- Improved alertness, concentration and productivity
- Lower blood pressure and reduced risk of diabetes and heart disease
- Increased comfort, improved morale and reduced absenteeism
- Improved posture and toning of key muscle groups
- Decreased risk of repetitive stress injuries
- Reduced fatigue, eyestrain, aches and pains

### 9A WWSSDT (Desktop Workstation)



Monitor Platform Height Adjusts up to 23 in. Above Work Surface

Keyboard Tray Height Adjusts up to 17 in. Above Work Surface

Monitor Platform is 23.6 x 15.7 in.  
Keyboard Tray is 23.6 x 11 in.



### 9B WWSSDC (Desk-Clamp Workstation)



Monitor Platform Height Adjusts up to 22 in. Above Work Surface

Monitor Platform is 23.6 x 15.7 in.  
Keyboard Tray is 23.6 x 11 in.

Keyboard Tray Height Adjusts up to 13.5 in. Above Work Surface

0.4 to 3 in.



### 9C WWSSD3622 (Desktop Workstation)



Side Handles for Easy Adjustment

Monitor Platform Height Adjusts Up to 16 in. Above Work Surface

Monitor Platform is 36 x 22 in.  
Keyboard Tray is 27 x 9 in.



## Dual-Monitor Adapter

- Modify a single-screen mount to accommodate two monitors without using additional desk/table space.
- Adapter attaches to a VESA mount.

### 9D DMA1327SD



13 to 27 in.



2 x 22 lb.\*



75x75, 100x100

\* Total weight cannot exceed weight capacity of the single-monitor display mount.

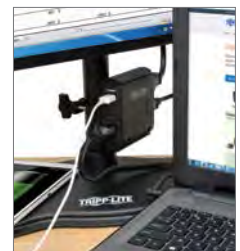
## AC/USB Charging Clip

- Mount clip to a display-mount pole for convenient access to charging power.
- Two NEMA 5-15R outlets (one in rear) and two USB ports (3.4A total) make it easy to keep devices charged.

### 9E DMACUSB



Fits Most Poles up to 1.5 in. Diameter



## CPU Mount & Thin-Client Mount

- Computer mounts save space in workstations.
- DCPU1 allows CPU to be mounted on a wall, desk or rail.
- DMATC secures a thin-client computer to a pole or wall, under a desk or to a display mount's VESA plate.



### 10A DCPU1



40 lb.

Fits Most CPUs from 4 to 6.25 in. Wide

### 10B DMATC

Fits Most Thin Clients from 0.7 to 2.8 in. Wide



11 lb.



75x75, 100x100

Safety Strap Securely Holds Thin Client in Place

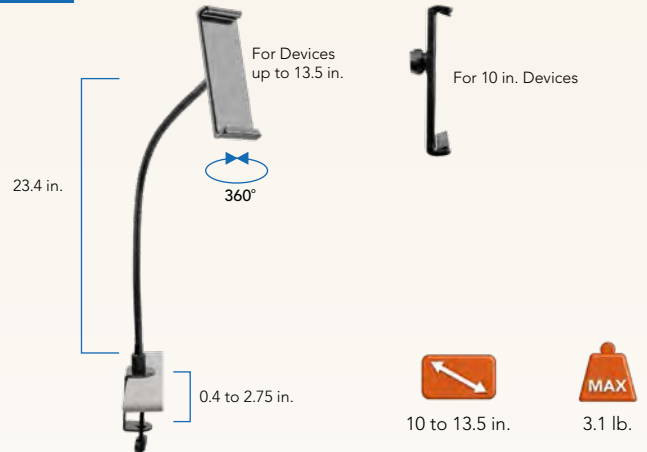
## Tablet Mounts (Full Motion)

- View your tablet without using desk/table space.
- Convenient one-touch display adjustment provides easy view optimization and improved ergonomics for varied tasks throughout the day.

### 10C DDR0310SC



### 10D DDR1013SC



### 10E DDR0710SC



### 10F DDR0810TRI



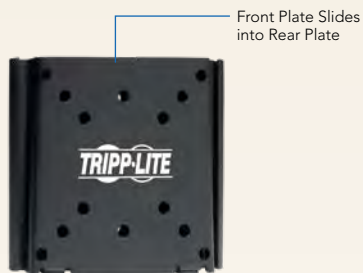
## Wall Mounts (Fixed)

- Low-profile mounting keeps the unit out of sight for a sleek, professional appearance.
- Horizontal adjustment compensates for off-center wall studs.
- For fixed security wall mounts, see DWFSC3255MUL and DWFSC3780MUL on page 5.



### 11A DWF1327M

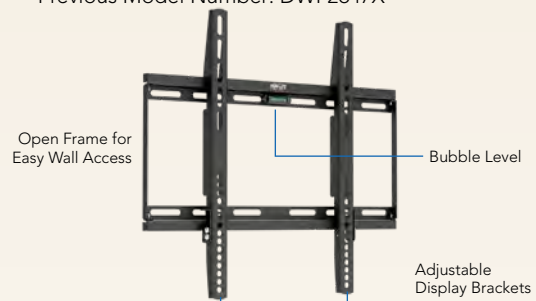
Previous Model Number: DWF1323M



- 13 to 27 in.
- MAX 88 lb.
- VESA 50x50, 75x75, 100x100

### 11B DWF2655X

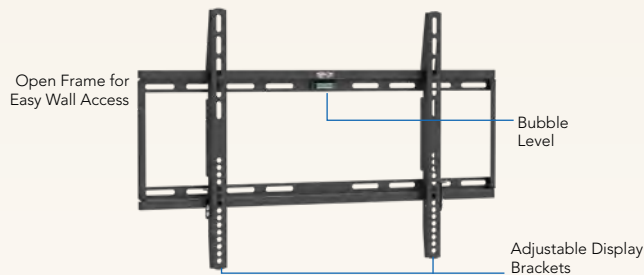
Previous Model Number: DWF2647X



- 26 to 55 in.
- MAX 165 lb.
- VESA 200x200, 300x300, 400x200, 400x400

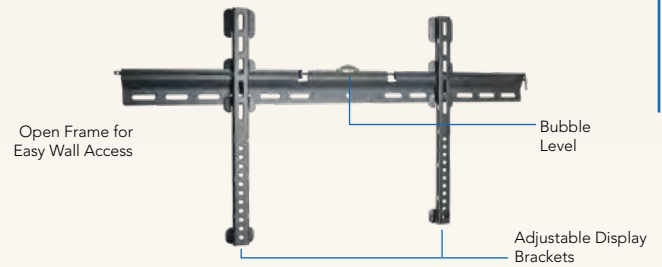
### 11C DWF3270X

Previous Model Number: DWF3260X



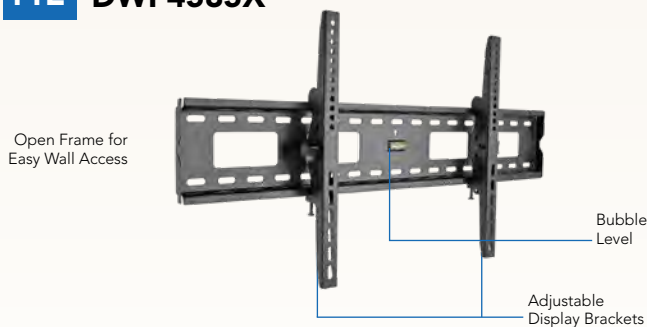
- 32 to 70 in.
- MAX 165 lb.
- VESA 200x200, 300x300, 400x200, 400x400, 600x400

### 11D DWF3770L



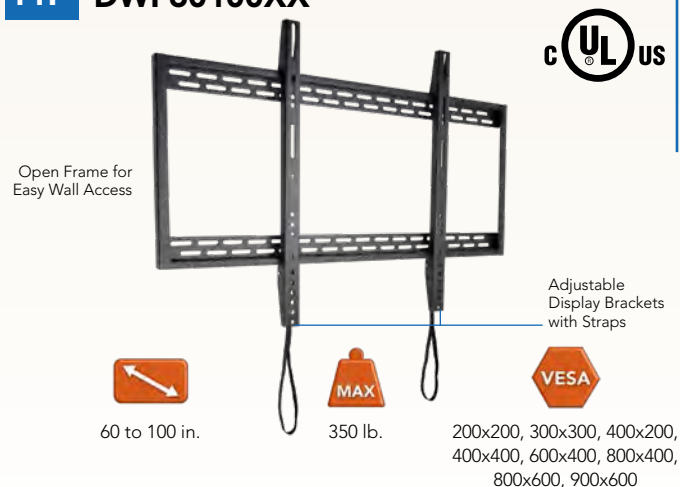
- 37 to 70 in.
- MAX 143 lb.
- VESA 300x300, 400x200, 400x400, 600x400, 800x400

### 11E DWF4585X



- 45 to 85 in.
- MAX 200 lb.
- VESA 200x200, 300x300, 400x200, 400x400, 600x400, 800x400

### 11F DWF60100XX



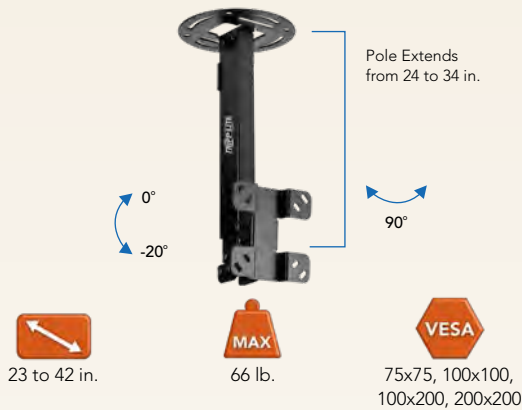
- 60 to 100 in.
- MAX 350 lb.
- VESA 200x200, 300x300, 400x200, 400x400, 600x400, 800x400, 800x600, 900x600

## Ceiling Mounts (Full Motion)

- Full-motion articulation provides the most flexible view optimization.
- Mount for displays frees up wall and floor space in digital signage applications.
- Mount for projectors allows precise image positioning in classroom, boardroom and commercial settings.



### 12A DCTM (For Displays)



### 12B DUNVPJT (For Projectors)



## Wall Mounts (Tilt)

- Tilt adjustment provides improved viewing angles for applications where the audience is below the display.
- Low-profile mounting keeps the unit out of sight for a sleek, professional appearance.
- Horizontal adjustment compensates for off-center wall studs.
- For security wall mounts with tilt adjustment, see DWTSC3255MUL and DWTSC3780MUL on page 4.



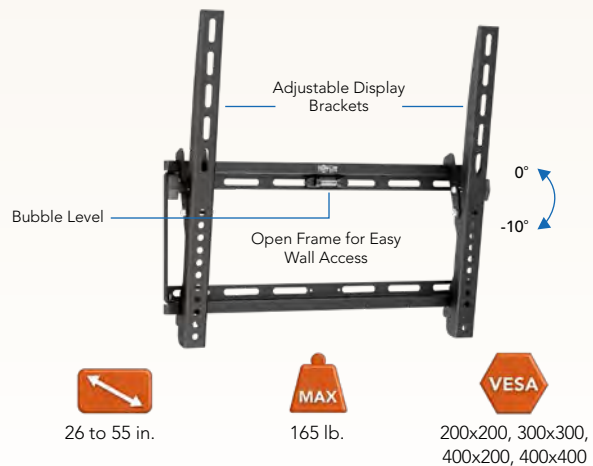
### 12C DWT1327S

Previous Model Number: DWT1323S



### 12D DWT2655XE

Previous Model Number: DWT2647XE

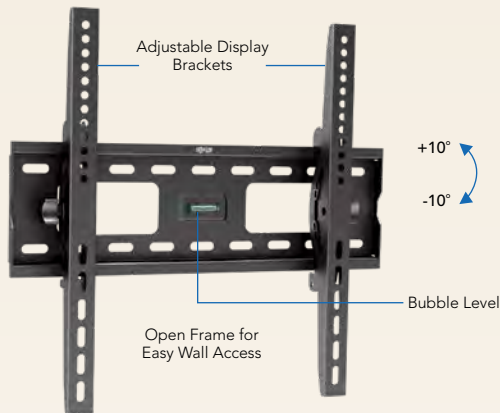







**Wall Mounts (Tilt)** continued

**13A DWT2655XP**

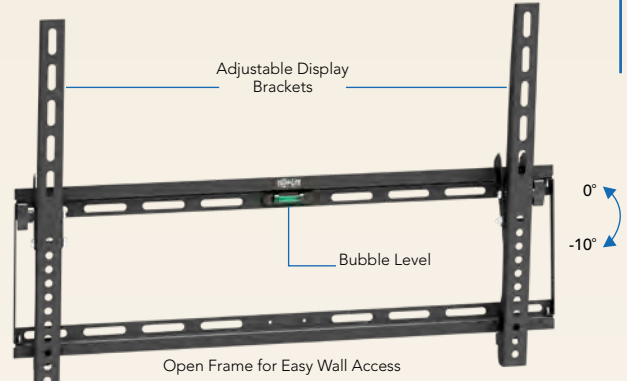
Previous Model Number: DWT2647XP



-   
26 to 55 in.
-   
165 lb.
-   
200x200, 300x300,  
400x200, 400x400

**13B DWT3270X**

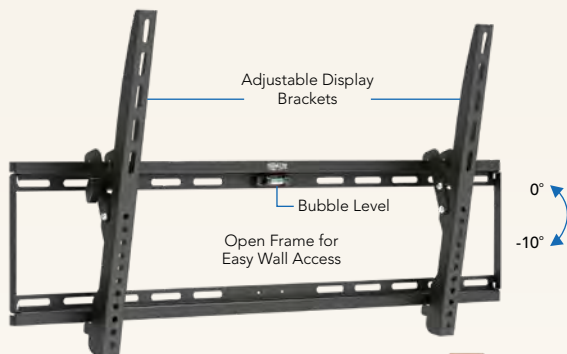
Previous Model Number: DWT3260X



-   
32 to 70 in.
-   
165 lb.
-   
200x200, 300x300,  
400x200, 400x400, 600x400

**13C DWT3770X**

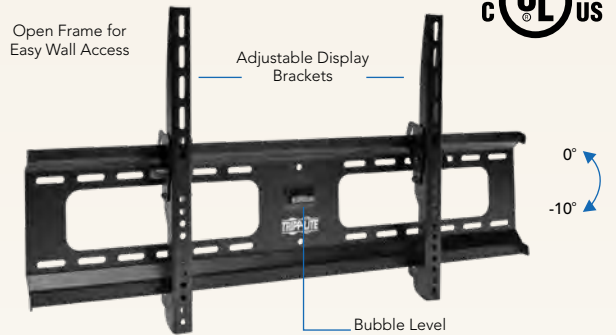
Previous Model Number: DWT3763X



-   
37 to 70 in.
-   
200 lb.
-   
200x200, 300x300, 400x200,  
400x400, 600x400, 800x400

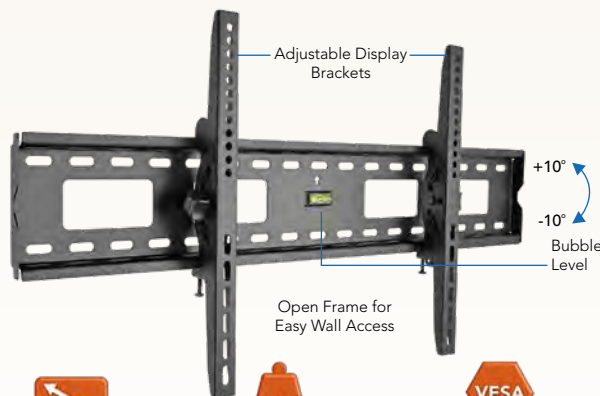
**13D DWT3780XUL**

Open Frame for Easy Wall Access



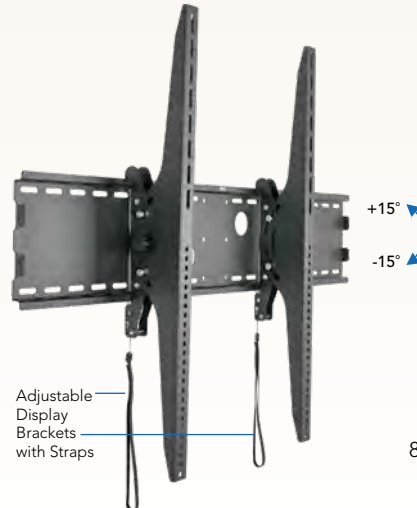
-   
37 to 80 in.  
(Flat/Curved)
-   
165 lb.
-   
200x200, 300x300, 400x200,  
400x400, 600x400, 800x400




**13E DWT4585X**



-   
45 to 85 in.
-   
200 lb.
-   
200x200, 300x300, 400x200,  
400x400, 600x400, 800x400

**13F DWT60100XX**



-   
60 to 100 in.
-   
350 lb.
-   
200x200, 300x300, 400x200,  
400x400, 600x400, 800x400,  
800x600, 1000x400, 1000x600,  
1000x800

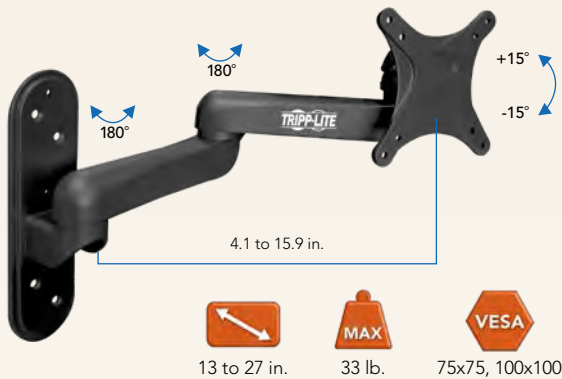
## Wall Mounts (Swivel/Tilt/Rotate)

- Full-motion articulation provides the most flexible view optimization.
- Increase available desk/table space in office applications.
- One-touch repositioning provides convenient display adjustment for varied tasks throughout the workday.
- For a full-motion security wall mount, see DWMSC3780MUL on page 5.



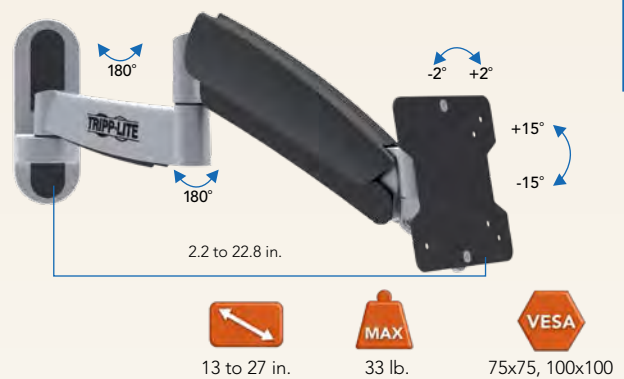
### 14A DWM1327SE

Previous Model Number: DWM1323SE



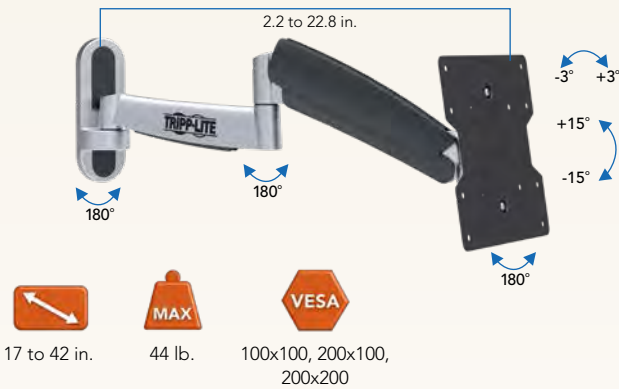
### 14B DWM1327SP

Previous Model Number: DWM1323SP



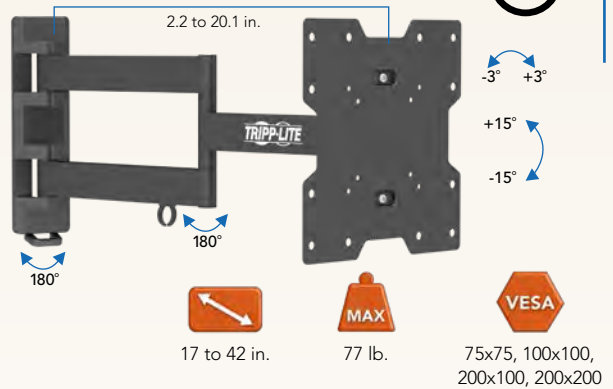
### 14C DWM1742S

Previous Model Number: DWM1737S



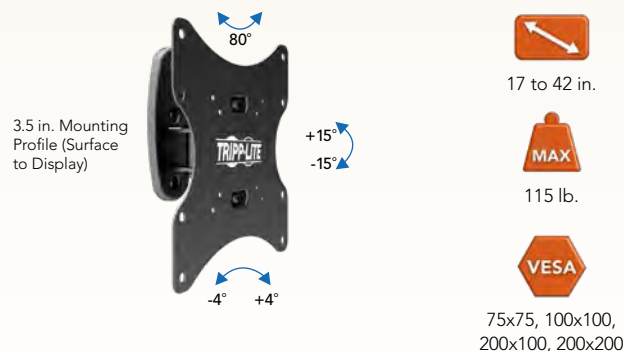
### 14D DWM1742MA

Previous Model Number: DWM1737MA



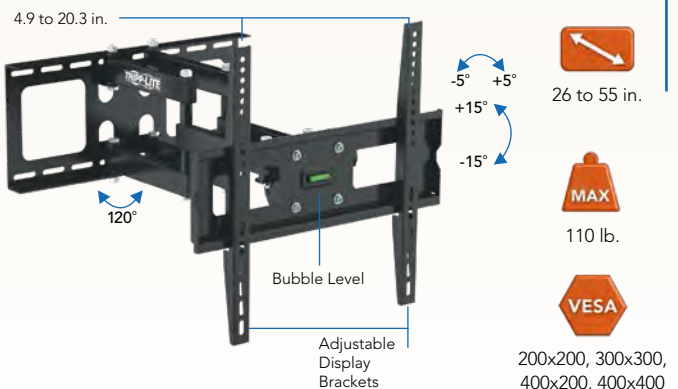
### 14E DWM1742MN

Previous Model Number: DWM1737MN

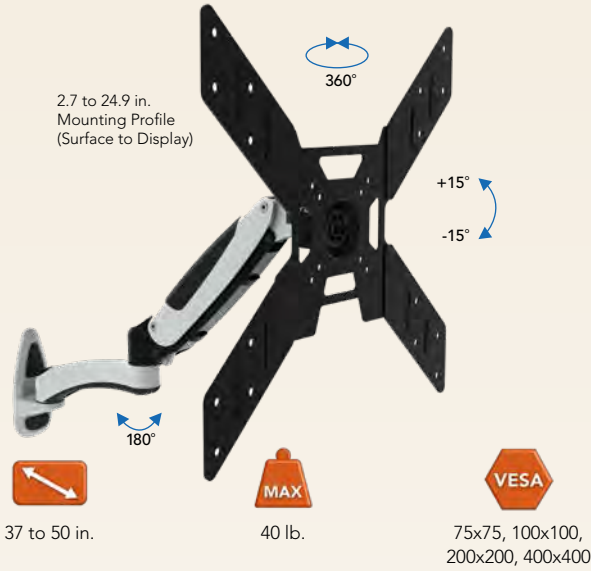


### 14F DWM2655M

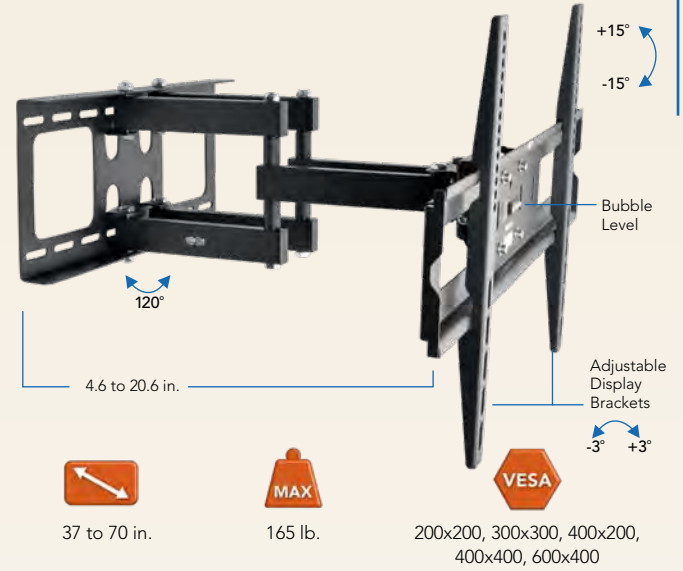
Previous Model Number: DWM2342M



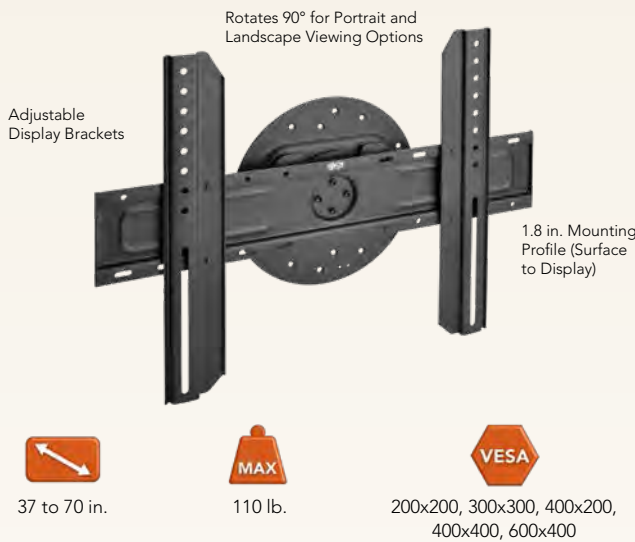
## 15A DWM3750S



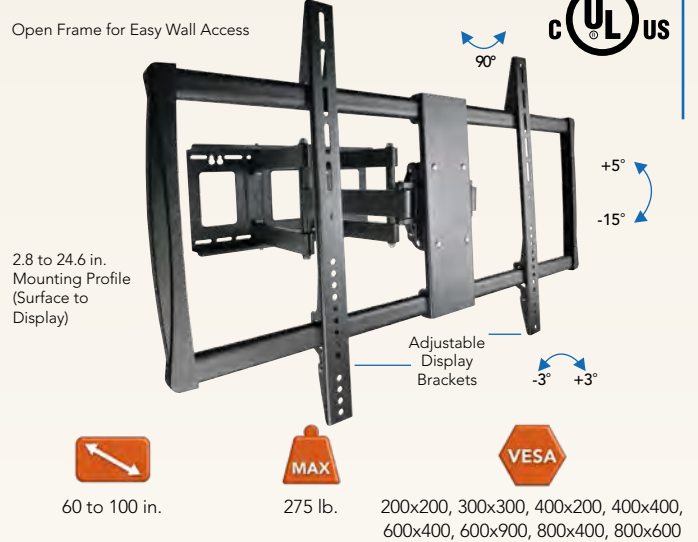
## 15B DWM3770X



## 15C DWM3770PLX

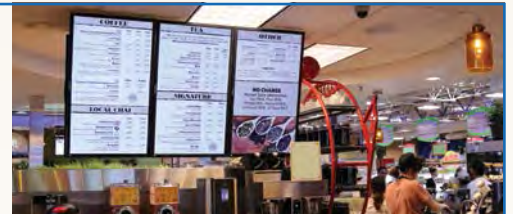


## 15D DWM60100XX

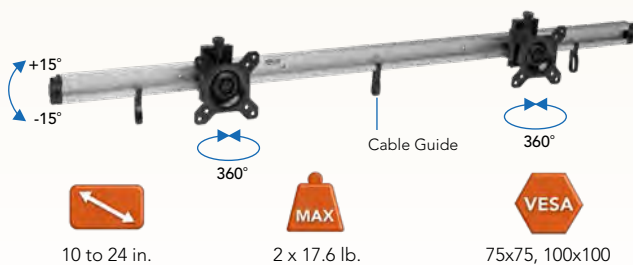


## Rail Wall Mounts

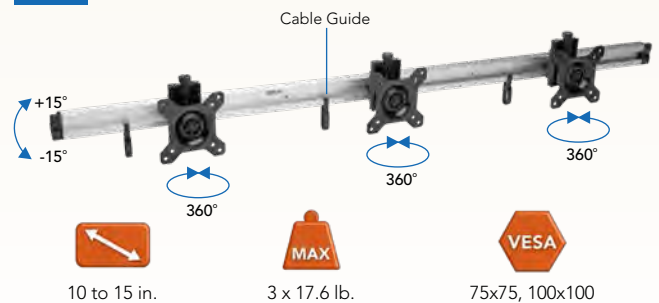
- Mounts adjust independently along the steel rail and lock in place.
- Rails mount horizontally or vertically to provide convenient, space-saving options for flat-panel displays.



## 15E DMR1024X2



## 15F DMR1015X3



## Monitor Risers • Elevate screens to reduce neck and eye strain. • Risers accommodate most monitors.

**16A MR1612**  
(Universal Riser with Adjustable Legs)



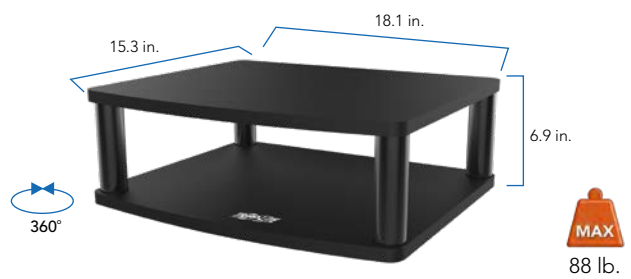
**16B MR1612D1**  
(Universal Riser with Adjustable Legs and Storage Drawer)



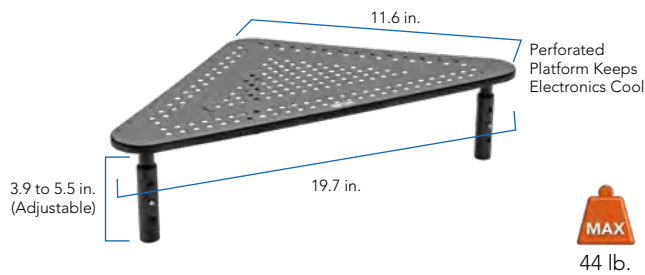
**16C MR1208TRAY**  
(Universal Riser with Accessory Tray)



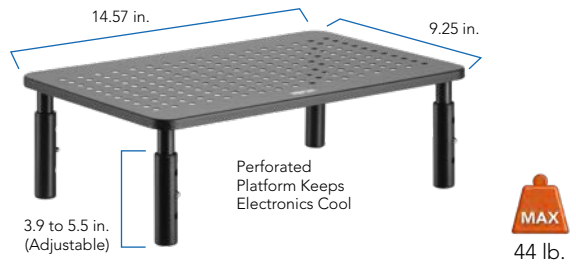
**16D MR1815SWVL**  
(Universal Riser with Swivel)



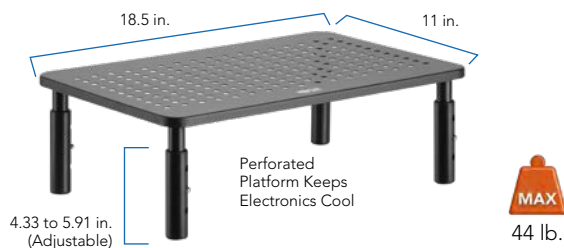
**16E MR1220M**  
(Metal Universal Corner Riser with Adjustable Legs)



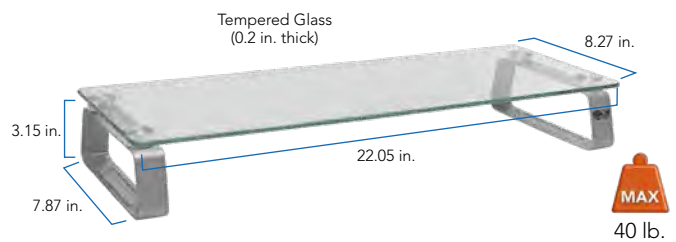
**16F MR1411M**  
(Metal Universal Riser with Adjustable Legs)



**16G MR1812M**  
(Metal Universal Riser with Adjustable Legs)



**16H MR2208G**  
(Universal Riser with Glass Top)



For the most complete, up-to-date specifications, visit [www.triplite.com](http://www.triplite.com).



Tripp Lite Corporate Headquarters

1111 W. 35th Street, Chicago, IL 60609 USA | 773.869.1773

[www.triplite.com](http://www.triplite.com)