

ecom

A PEPPERL+FUCHS BRAND



Tab-Ex® 03 DZ2

Operating Instructions | Betriebsanleitung
Instructions d'utilisation | Istruzioni per l'uso
Instrucciones de uso | Instruções de funcionamento



English	Page	3
Deutsch	Seite	24
Français	Page	45
Italiano	Page	66
Español	Página	87
Português	Sida	108

Content

1. Application	4
2. Safety precautions	4
3. Radiation Exposure Statement.....	4
4. Band and mode	5
5. Repair	5
6. Inserting the SIM/USIM card (LTE/WWAN model only) and microSD card	5
7. Charging the tablet computer.....	6
8. Safety precautions for the battery	6
9. Cleaning, maintenance and storage.....	7
10. Disposal	7
11. Warranty and liability.....	8
12. Device layout and functions.....	8

Note:

The current Operating Instructions, Ex-Safety Instructions, EU Declaration of Conformity and the Certificate of Conformity can be downloaded from the relevant product page at www.ecom-ex.com, or alternatively they can be requested directly from the manufacturer.

1. Application

The Tab-Ex® 03 is an intrinsically safe Zone 2 / Zone 22 water-, dust- and impact resistant tablet computer for industrial application in hazardous areas with gaseous and dust atmospheres according to ATEX Directive 2014/34/EU and the IECEx System.

2. Safety precautions

These safety instructions contain information and safety regulations which are to be observed. Non-observance of this information and these instructions can have serious consequences and may violate regulations. Please read these safety instructions carefully before starting to use the device. In the event of conflicting information the details specified in the safety instructions shall apply. In case of any doubt (in the form of translation or printing errors) the English version shall apply.

3. Radiation Exposure Statement

Warning: This equipment complies with International Commission on Non-Ionizing Radiation Protection (ICNIRP), IEEE C95.1, Federal Communications Commission Office of Engineering and Technology (OET) Bulletin 65 and European Committee for Electrotechnical Standardization (CENELEC) EN62311 limits for exposure to radio frequency (RF) radiation.

The FCC ID is printed on the device label.

The Ex-Protective Case has to be removed to find the info.

3.1 SAR values for European countries:

The SAR values below are only for devices developed for use in European countries.

The SAR limit is 2.0 W/kg.

Maximum SAR for this model and conditions under which it was recorded:

Body-worn SAR: 1.390 W/kg

Head SAR: 1.091 W/kg

3.2 SAR values for USA:

The SAR values below are only for devices developed for use in USA.

The SAR limit is 1.6 W/kg.

Maximum SAR for this model and conditions under which it was recorded:

Body-worn SAR: 1.390 W/kg

Simultaneous Transmission: 1.58 W/kg

4. Band and mode

Band and mode	Output power
EGSM 850/900	33 dBm
DCS 1800/1900	30 dBm
WCDMA 900/2100	24 dBm
LTE 1/2/3/4/5/7/8/12/13/17/20/28/38/40/41/66	23 dBm
Wi-Fi 2.4 GHz	20 dBm
Bluetooth 2.4 GHz	20 dBm
Wi-Fi 5.1-5.7 GHz	23 dBm
Wi-Fi 5.8 GHz	25 mW
NFC 13.56 MHz	42 dBuA/m at 10 m

The use of WLAN band is restricted to indoor use only. This restriction will be applied in all EU member states.

AT	BE	BG	CH	CY	CZ	DE	DK	EE	ES	EL
FI	FR	HR	HU	IE	IS	IT	LI	LT	LU	LV
MT	NL	NO	PL	PT	RO	SE	SI	SK	TR	UK

5. Repair

Repairs are to be conducted by ECOM Instruments GmbH or by personnel or service centers authorized by ECOM Instruments GmbH only, due to the safety of the device needs to be tested after repairs are implemented. The actual repair report sheet can be downloaded from the service area at www.ecom-ex.com.

6. Inserting the SIM/USIM card (LTE/WWAN model only) and microSD card

1. Remove the Ex-Protective Case of the device.
2. Pull out the tray gently from the tray slot.
3. Place the SIM or USIM card on the tray with the gold-coloured contacts facing downwards.
4. Gently press the SIM or USIM card into the tray to secure it.
5. Attach the Ex-Protective Case.

See also Picture Page 19

7. Charging the tablet computer

Charging the tablet computer is allowed only outside hazardous areas!

The battery of the tablet computer is delivered not fully charged. It is recommended to charge the tablet computer's battery for five hours before using it for the first time. The full capacity of the battery is reached after 3 - 4 complete charge / discharge cycles.

Note:

- There is a risk of explosion if the device is exposed to a flame.
- Only use ECOM-approved chargers.

Due to EX-relevant safety, the battery cover is sealed and may only be opened by ECOM service personnel. Likewise, battery replacement may only be carried out by these personnel.

8. Safety precautions for the battery

Damaged chargers should be removed from use and sent to ECOM Instruments GmbH for inspection.

Note:

- Extreme temperatures can have an adverse effect on charging the battery.
- Do not dispose of the device in a fire.
- Dispose of the device in accordance with local regulations and not with normal household waste.

A high quality lithium-ion battery is used in your Tab-Ex® 03. These batteries have numerous advantages in everyday use, such as a low weight and high capacity in a nevertheless compact construction. In addition these batteries also exhibit practically no memory effect. However, these batteries are susceptible to a natural aging process which impairs their functionality.

Modern batteries today have a lifespan of around 500 charge cycles, which, when used daily, corresponds to a service life of approximately two years. The ageing process increases rapidly after this period, which means that the batteries are deemed technically defective after 500 charge cycles. Moreover, the battery cells could expand and cause irreparable damage to your device in a worst case scenario. For this reason rechargeable batteries with lithium cells should be replaced from ECOM service personnel, after two years at the latest or after reaching a battery capacity that is 50% of its initial value.

Note:

The battery used in this unit poses a fire hazard and can cause chemical injuries if it is used improperly. Neither the battery nor the battery cells should be opened or disassembled and they should not be burned or exposed to temperatures exceeding 60 °C.

9. Cleaning, maintenance and storage

- Only use a suitable cloth or sponge to clean the tablet computer.
- Do not use any solvents or abrasive cleaning agents when cleaning.
- It is recommended that you have the functionality and accuracy of the phone inspected by the manufacturer every two years.
- Do not exceed the permissible storage temperature range of -20 °C to +60 °C

10. Disposal



Old electrical devices by ECOM Instruments GmbH will be directed to disposal at our expense and disposed of free of charge in accordance with European Directive 2012/19/EU. Please follow local regulations for the disposal of electronic products. The costs associated with returning devices to ECOM Instruments GmbH are to be borne by the sender. Old electrical devices should not be disposed of along with normal or household waste.



Dispose of batteries in accordance with European Directive 2006/66/EC. Batteries should not be disposed of with normal or household waste. Disposal can be done via appropriate collection points in your country.

11. Warranty and liability

The warranty of this product follows the General Conditions of Delivery and Payment of ECOM Instruments GmbH, which are available at www.ecom-ex.com, or alternatively they can be requested directly from the manufacturer.

This warranty can be extended by the optional Service Level Agreement.

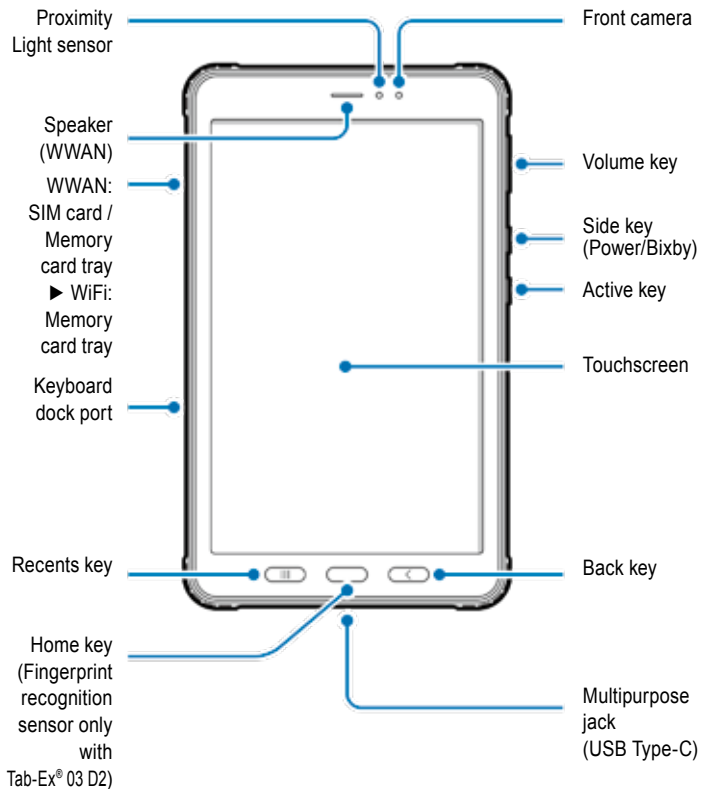
12. Device layout and functions

Package contents

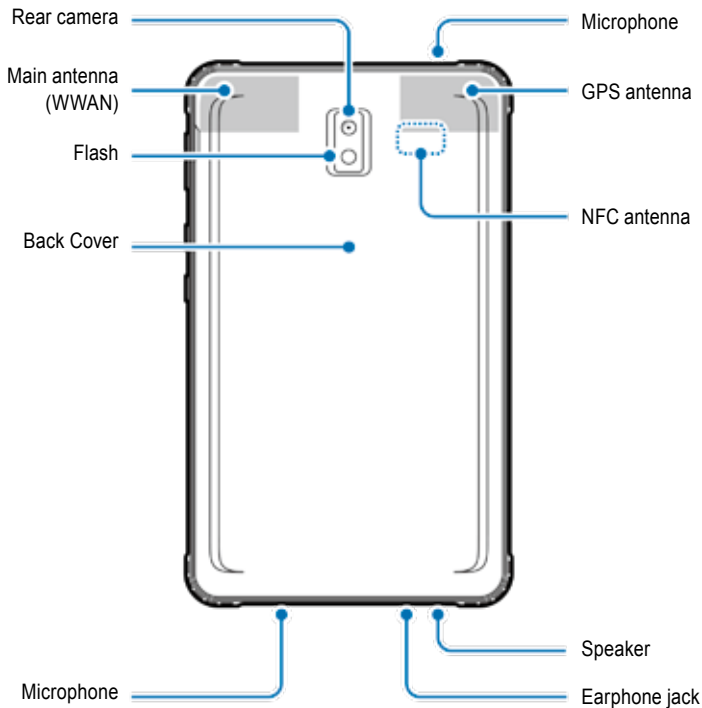
Refer to the quick start guide for package contents.

- The items supplied with the device and any available accessories may vary depending on the region or service provider.
- The supplied items are designed only for this device and may not be compatible with other devices.
- Appearances and specifications are subject to change without prior notice.
- A case is supplied to protect your device. If you want to remove the case attached to the device, it is recommended to detach it from the top corners.

Device layout (WWAN / WiFi)



Device layout (WWAN / WiFi)



The Tab-Ex[®] 03 is based on the Samsung tablet SM-T57x.

We do not make any changes to the operating system.

You will therefore receive software updates directly from Samsung (via OTA).

You can obtain the latest security information at <https://security.samsungmobile.com/>

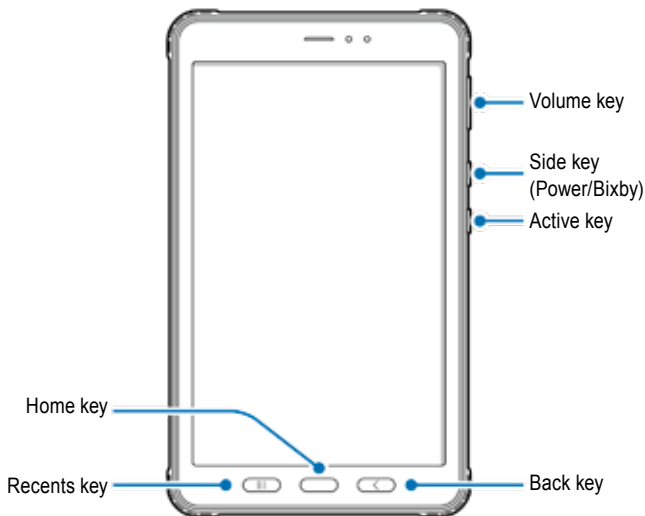


- When using the speakers, such as when playing media files or using speakerphone, do not place the device close to your ears.
- Be careful not to expose the camera lens to a strong light source, such as direct sunlight. If the camera lens is exposed to a strong light source, such as direct sunlight, the camera image sensor may be damaged. A damaged image sensor is irreparable and will cause dots or spots in pictures.
- If you use the device with its glass or acrylic body broken, there may be a risk of injury. Use the device only after it has been repaired at a ECOM Service Centre.
- If dust or foreign materials enter the microphone, speaker, or receiver, the device's sound may become quiet or certain features may not work. If you attempt to remove the dust or foreign materials with a sharp object, the device may be damaged and its appearance may be affected.



- Connectivity problems and battery drain may occur in the following situations:
 - If you attach metallic stickers on the antenna area of the device
 - If you attach a device cover made with metallic material to the device
 - If you cover the device's antenna area with your hands or other objects while using certain features, such as calls or the mobile data connection (WWAN)
- Using a ECOM-approved screen protector is recommended. Unapproved screen protectors may cause the sensors to malfunction.
- Do not cover the proximity/light sensor area with screen accessories, such as a screen protector, stickers, or a cover. Doing so may cause the sensor to malfunction.
- The light may flicker at the top of the device during calls due to proximity sensor operation.

Hard keys



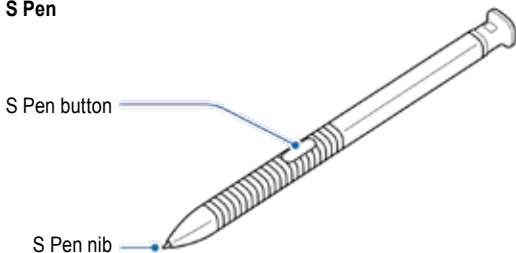
Key	Function
Volume key	<ul style="list-style-type: none">• Press to adjust the device volume.
Side key	<ul style="list-style-type: none">• When the device is off, press and hold to turn it on.• Press to turn on or lock the screen.• Press and hold to start a conversation with Bixby. Refer to Using Bixby for more information.• Press twice or press and hold to launch the app or feature you set.
Side key + Volume Down key	<ul style="list-style-type: none">• Press simultaneously to capture a screenshot.• Press and hold simultaneously to turn off the device.
Active key	<ul style="list-style-type: none">• Press or press and hold to launch preset apps.
Recents key	<ul style="list-style-type: none">• Press to open the list of recent apps.
Home key	<ul style="list-style-type: none">• Press to turn on the screen while the screen is locked.• Press to return to the Home screen.• Press and hold to launch Google Assistant app.
Back key	<ul style="list-style-type: none">• Press to return to the previous screen.

Setting the Side key

Select an app or feature to launch by pressing the Side key twice or pressing and holding the Side key.

Launch the Settings app, tap Advanced features → Side key, and then select an option you want.

S Pen



Name	Functions
S Pen nib	<ul style="list-style-type: none">• Use the S Pen to write, draw, or perform touch actions on the screen.• Hover the S Pen over items on the screen to access additional S Pen features, such as the Air view feature.
S Pen button	<ul style="list-style-type: none">• Hover the S Pen over the screen and press the S Pen button to display the Air command features.• While pressing and holding the S Pen button, drag the S Pen over items to select them.

Replacing the S Pen nib

If the nib is dull, replace it with a new one.

1 Firmly hold the nib with the tweezers and remove it.

2 Insert a new nib into the S Pen.





Be careful not to pinch your fingers with the tweezers.



- Do not reuse old nibs. Doing so may cause the S Pen to malfunction.
- Do not press the nib excessively when inserting the nib into the S Pen.
- Do not insert the round end of the nib into the S Pen.
Doing so may cause damage to the S Pen or your device.
- Do not bend or apply excessive pressure with the S Pen while using it.
The S Pen may be damaged or the nib may be deformed.
- Do not hard press on the screen with the S Pen. The pen nib may be deformed.



- If you use the S Pen at sharp angles on the screen, the device may not recognise the S Pen actions.
- If the S Pen is not working properly, take it to a ECOM Service Centre.

Battery



Do not bend or twist the Ex-Battery cover.
Doing so may damage the Ex-Battery cover.

Charging the battery

Charge the battery before using it for the first time or when it has been unused for extended periods.



Use only ECOM-approved charger and cable specifically designed for your device. Incompatible charger and cable can cause serious injuries or damage to your device. See MAS-0178 for additional battery charging safety.

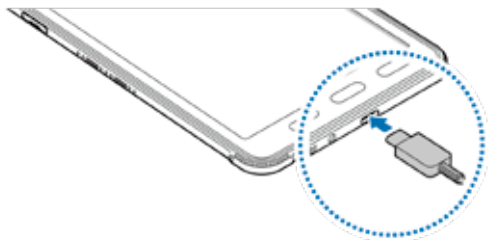


- Connecting the charger improperly may cause serious damage to the device. Any damage caused by misuse is not covered by the warranty.
- Use only USB Type-C cable supplied with the device. The device may be damaged if you use Micro USB cable.



To save energy, unplug the charger when not in use. The charger does not have a power switch, so you must unplug the charger from the electric socket when not in use to avoid wasting power. The charger should remain close to the electric socket and easily accessible while charging.

- 1 Connect the USB cable to the USB power adaptor.
- 2 Plug the USB cable into the device's multipurpose jack.



- 3 Plug the USB power adaptor into an electric socket.
- 4 After fully charging, disconnect the charger from the device. Then, unplug the charger from the electric socket.



The battery cover or battery may only be removed by ECOM service personnel! This may damage the device.

Reducing the battery consumption

Your device provides various options that help you conserve battery power.

- Optimise the device using the device care feature.
- When you are not using the device, turn off the screen by pressing the Side key.
- Activate power saving mode.
- Close unnecessary apps.
- Deactivate the Bluetooth feature when not in use.
- Deactivate auto-syncing of apps that need to be synced.
- Decrease the backlight time.
- Decrease the screen brightness.

Battery charging tips and precautions

- When the battery power is low, the battery icon appears empty.
- If the battery is completely discharged, the device cannot be turned on immediately when the charger is connected. Allow a depleted battery to charge for a few minutes before turning on the device.
- If you use multiple apps at once, network apps, or apps that need a connection to another device, the battery will drain quickly. To avoid losing power during a data transfer, always use these apps after fully charging the battery.
- Using a power source other than the charger, such as a computer, may result in a slower charging speed due to a lower electric current.
- The device can be used while it is charging, but it may take longer to fully charge the battery.
- If the device receives an unstable power supply while charging, the touchscreen may not function. If this happens, unplug the charger from the device.
- While charging, the device and the charger may heat up. This is normal and should not affect the device's lifespan or performance. If the battery gets hotter than usual, the charger may stop charging. If this occurs during wireless charging, disconnect the device from the charger to let it cool down, then charge the device again later.
- If you charge the device while the multipurpose jack is wet, the device may be damaged. Thoroughly dry the multipurpose jack before charging the device.
- If the device is not charging properly, take the device and the charger to a ECOM Service Centre.

Fast charging

The device has a built-in fast charging feature. You can charge the battery more quickly while the device or its screen is turned off.

Increasing the charging speed

To increase the charging speed, turn the device or its screen off when you charge the battery. If the fast charging feature is not activated, launch the Settings app, tap Device care → Battery → Charging, and then tap the Fast charging switch to activate it.



- While charging, you cannot activate or deactivate this feature.
- You cannot use the built-in fast charging feature when you charge the battery using a standard battery charger.
- If the device heats up or the ambient air temperature rises, the charging speed may decrease automatically. This is a normal operating condition to prevent damage to the device.

SIM or USIM card (nano-SIM card) (WWAN)

Installing the SIM or USIM card

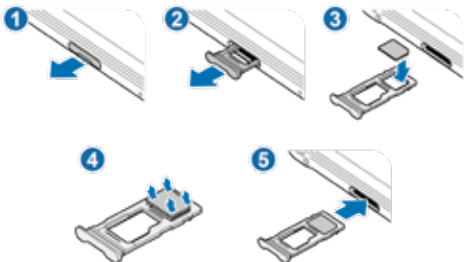
Insert the SIM or USIM card provided by the mobile telephone service provider.



- Use only a nano-SIM card.
- Use caution not to lose or let others use the SIM or USIM card. ECOM is not responsible for any damages or inconveniences caused by lost or stolen cards.



Some services that require a network connection may not be available depending on the service provider.



- 1 Pull out the tray gently from the tray slot.
- 2 Place the SIM or USIM card on the tray with the gold-coloured contacts facing downwards.
- 3 Gently press the SIM or USIM card into the tray to secure it.



If the card is not fixed firmly into the tray, the SIM card may leave or fall out of the tray.

- 4 Insert the tray back into the tray slot.



- If you insert the tray into your device while the tray is wet, your device may be damaged. Always make sure the tray is dry.
- Fully insert the tray into the tray slot to prevent liquid from entering your device.

Memory card (microSD card)

Installing a memory card

Your device's memory card capacity may vary from other models and some memory cards may not be compatible with your device depending on the memory card manufacturer and type. To view your device's maximum memory card capacity, refer to the Samsung website.



- Some memory cards may not be fully compatible with the device. Using an incompatible card may damage the device or the memory card, or corrupt the data stored in it.
- Use caution to insert the memory card right-side up.

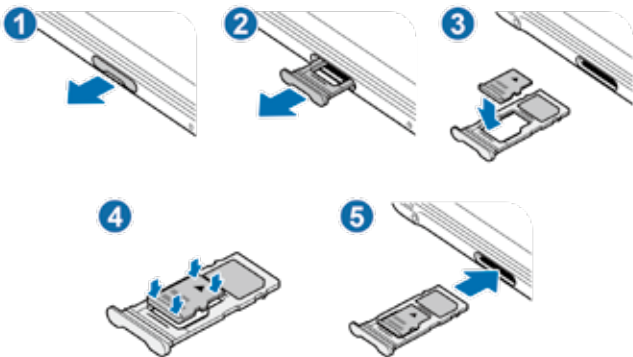


- The device supports the FAT and the exFAT file systems for memory cards. When inserting a card formatted in a different file system, the device will ask to reformat the card or will not recognise the card. To use the memory card, you must format it.

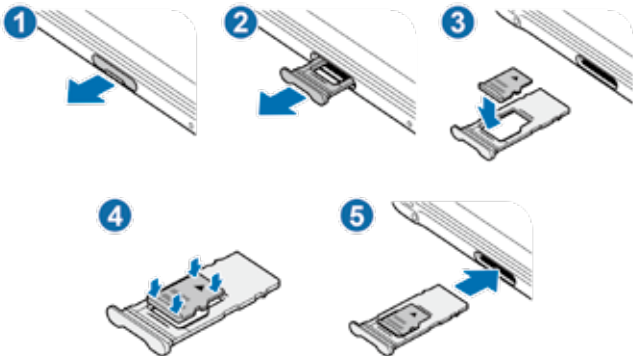
If your device cannot format or recognise the memory card, contact the memory card manufacturer or a ECOM Service Centre.

- Frequent writing and erasing of data shortens the lifespan of memory cards.
- When inserting a memory card into the device, the memory card's file directory appears in the **My Files** → **SD card folder**.

► WWAN:



► WiFi:



1 Pull out the tray gently from the tray slot.



When you remove the tray from the device, the mobile data connection will be disabled. (WWAN)

2 Place a memory card on the tray with the gold-coloured contacts facing downwards.

3 Gently press the memory card into the tray to secure it.



If the card is not fixed firmly into the tray, the memory card may leave or fall out of the tray.

4 Insert the tray back into the tray slot.



- If you insert the tray into your device while the tray is wet, your device may be damaged. Always make sure the tray is dry.
- Fully insert the tray into the tray slot to prevent liquid from entering your device.

Removing the memory card

Before removing the memory card, first unmount it for safe removal.

Launch the **Settings** app and tap **Device care** → **Storage** → **Advanced** → **SD card** → **Unmount**.



Do not remove external storage, such as a memory card or USB storage, while the device is transferring or accessing information, or right after transferring data. Doing so can cause data to be corrupted or lost or cause damage to the external storage or device. ECOM is not responsible for losses, including loss of data, resulting from the misuse of external storage devices.

Formatting the memory card

A memory card formatted on a computer may not be compatible with the device. Format the memory card on the device.

Launch the **Settings** app and tap **Device care** → **Storage** → **Advanced** → **SD card** → **Format**.

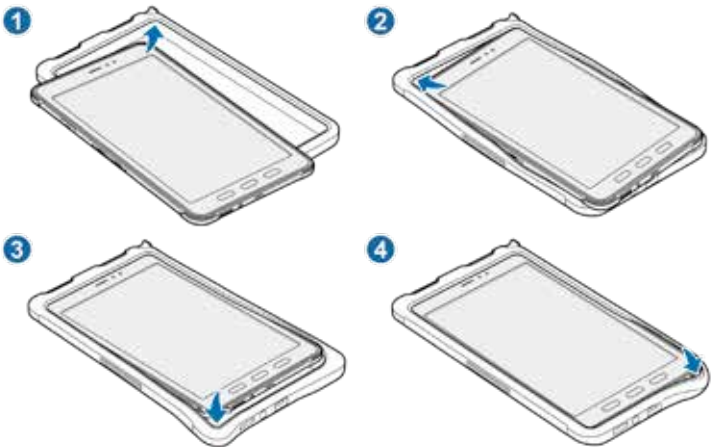


Before formatting the memory card, remember to make backup copies of all important data stored in the memory card. The manufacturer's warranty does not cover loss of data resulting from user actions.

Ex-Protective case

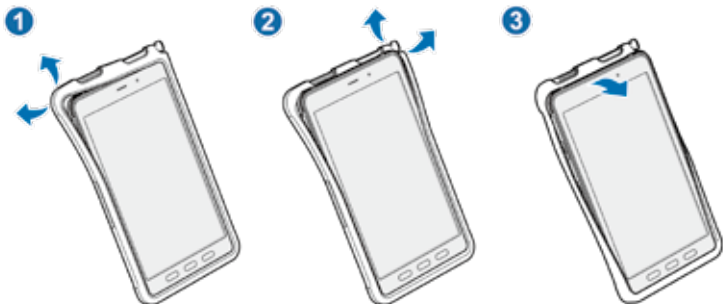
Installing the Ex-Protective case

Insert the upper part of the device into the case, and then press the edges of the bottom part one by one using both hands to firmly install it.



Removing the Ex-Protective case

With the device upright, push the edges of the upper part one by one using both hands until the device protrudes from the case and remove the device from it.



Installing the S Pen

Insert the S Pen into the top of the Ex-Protective case.



Do not insert the S Pen backwards into the Ex-Protective case.

Turning the device on and off



Follow all posted warnings and directions from authorised personnel in areas where the use of wireless devices is restricted, such as aeroplanes and hospitals.

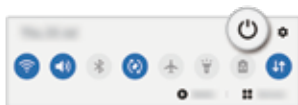
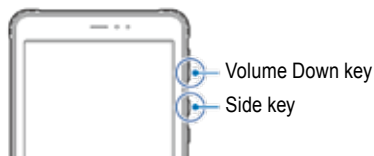
Turning the device on

Press and hold the Side key for a few seconds to turn on the device.

When you turn on your device for the first time or after performing a data reset, follow the on-screen instructions to set up your device.

Turning the device off

1 To turn off the device, press and hold the Side key and the Volume Down key simultaneously. Alternatively, open the notification panel and tap .



2 Tap Power off.

To restart the device, tap Restart.



You can set the device to turn off when you press and hold the Side key. Launch the **Settings** app, tap **Advanced features** → **Side key**, and then tap **Power off menu** under **Press and hold**.

Forcing restart

If your device is frozen and unresponsive, press and hold the Side key and the Volume Down key simultaneously for more than 7 seconds to restart it.

Inhalt

1. Einsatzbereich	27
2. Sicherheitshinweise	27
3. Erklärung zur Strahlenexposition	27
4. Band und Modus	28
5. Reparatur	28
6. SIM-/USIM-Karte (nur LTE/WWAN-Modell) und microSD-Karte einsetzen	28
7. Tablet-Computer aufladen	29
8. Sicherheitshinweise für integrierten Akku	29
9. Reinigung, Wartung und Lagerung.....	30
10. Entsorgung.....	30
11. Garantie und Haftung.....	31
12. Geräteaufbau und Funktionen.....	31

Hinweis:

Die aktuelle Betriebsanleitung, Ex-Sicherheitshinweise, EU-Konformitätserklärung und das Konformitätszertifikat können Sie auf der jeweiligen Produktseite unter www.ecom-ex.com herunterladen oder direkt beim Hersteller anfordern.

1. Einsatzbereich

Tab-Ex® 03 ist ein eigensicherer wasser-, staub- und schlagfester Tablet-Computer der Zone 2 / Zone 22 für den industriellen Einsatz in gas- und staubhaltigen explosionsgefährdeten Bereichen gemäß ATEX-Richtlinie 2014/34/EU und dem IECEx-System.

2. Sicherheitshinweise

Diese Sicherheitshinweise enthalten Informationen und Sicherheitsbestimmungen, die zu beachten sind. Die Nichtbeachtung dieser Informationen und Hinweise kann schwerwiegende Folgen haben und gegen Bestimmungen verstoßen. Bitte lesen Sie diese Sicherheitshinweise aufmerksam durch, bevor Sie das Gerät in Betrieb nehmen. Bei widersprüchlichen Angaben gelten die in den Sicherheitshinweisen gemachten Angaben. Im Zweifelsfall (z. B. bei Übersetzungs- oder Druckfehlern) gilt die englische Version.

3. Erklärung zur Strahlenexposition

Warnung: Dieses Gerät entspricht den Grenzwerten der Internationalen Kommission zum Schutz vor nichtionisierender Strahlung (ICNIRP), IEEE C95.1, dem Bulletin 65 der Bundeskommission für Kommunikation (Federal Communications Commission Office of Engineering and Technology (OET)) und der Norm EN62311 des Europäischen Komitees für elektrotechnische Normung (CENELEC) für die Exposition gegenüber Hochfrequenzstrahlung (RF).

Die FCC-ID ist auf dem Typenschild des Geräts aufgedruckt.

Um die Angaben zu finden, muss das Ex-Protective Case entfernt werden.

3.1 SAR-Werte für europäische Länder:

Die folgenden SAR-Werte gelten nur für Geräte, die für den Einsatz in europäischen Ländern entwickelt wurden. Der SAR-Grenzwert beträgt 2,0 W/kg.

Maximaler SAR-Wert für dieses Modell und Bedingungen, unter denen er aufgezeichnet wurde:

SAR-Wert am Körper getragen: 1,390 W/kg

SAR-Wert Kopf: 1,091 W/kg

3.2 SAR-Werte für die USA:

Die folgenden SAR-Werte gelten nur für Geräte, die für den Einsatz in den USA entwickelt wurden.

Der SAR-Grenzwert liegt bei 1,6 W/kg.

Maximaler SAR-Wert für dieses Modell und Bedingungen, unter denen er aufgezeichnet wurde:

SAR-Wert am Körper getragen: 1,390 W/kg

Gleichzeitige Übertragung: 1,58 W/kg

4. Band und Modus

Band und Modus	Ausgangsleistung
EGSM 850/900	33 dBm
DCS 1800/1900	30 dBm
WCDMA 900/2100	24 dBm
LTE 1/2/3/4/5/7/8/12/13/17/20/28/38/40/41/66	23 dBm
WLAN 2,4 GHz	20 dBm
Bluetooth 2,4 GHz	20 dBm
WLAN 5,1 - 5,7 GHz	23 dBm
WLAN 5,8 GHz	25 mW
NFC 13,56 MHz	42 dBuA/m bei 10 m

Die Nutzung des WLAN-Bandes ist auf die Verwendung im Innenbereich beschränkt. Diese Einschränkungen gelten in allen EU-Mitgliedsstaaten.

5. Reparatur

Reparaturen dürfen nur von ECOM Instruments GmbH oder von ECOM Instruments GmbH autorisiertem Personal bzw. Kundendienst durchgeföhrt werden, da nach einer Reparatur die Sicherheit des Gerätes geprüfpt werden muss. Das aktuelle Reparaturberichtsblatt kann im Servicebereich unter www.ecom-ex.com heruntergeladen werden.

6. SIM-/USIM-Karte (nur LTE/WWAN-Modell) und microSD-Karte einsetzen

- 1 Entfernen Sie das Ex-Protective Case des Geräts.
- 2 Ziehen Sie den Einschub vorsichtig aus dem Steckplatz heraus.
- 3 Setzen Sie die SIM- oder USIM-Karte so in den Einschub ein, dass die goldfarbenen Kontakte nach nach unten zeigen.
- 4 Drücken Sie die SIM- oder USIM-Karte vorsichtig in den Einschub, um sie zu sichern.
- 5 Bringen Sie das Ex-Protective Case wieder an.

Siehe auch Abbildung auf Seite 42

7. Tablet-Computer aufladen

Das Laden des Tablet-Computers ist nur außerhalb explosionsgefährdeter Bereiche erlaubt!

Der Akku des Tablet-Computers ist bei Auslieferung nicht vollständig geladen. Wir empfehlen, den Tablet-Computer vor der ersten Benutzung für fünf Stunden zu laden. Die volle Kapazität des Akkus wird nach 3 - 4 vollständigen Lade-/Entladezyklen erreicht.

Hinweis:

- Es besteht Explosionsgefahr, wenn das Gerät offenen Flammen ausgesetzt wird.
- Verwenden Sie nur ECOM-zugelassene Ladegeräte.

Batteriedeckel ist Aufgrund Ex-Relevanter Sicherheit verklebt-verschlossen und darf nur durch ECOM-Service-Fachpersonal geöffnet werden. Ebenso darf ein Batterie-wechsel nur durch diese durchgeführt werden.

8. Sicherheitshinweise für integrierten Akku

Beschädigte Ladegeräte müssen außer Betrieb genommen und zur Überprüfung an ECOM Instruments GmbH geschickt werden.

Hinweis:

- Extreme Temperaturen können sich negativ auf die Ladung des Akkus auswirken.
- Entsorgen Sie das Gerät nicht durch Verbrennen.
- Entsorgen Sie das Gerät entsprechend den örtlichen Vorschriften und nicht mit dem Hausmüll.

In Ihrem Tab-Ex® 03 wird ein hochwertiger Lithium-Ionen-Akku verwendet. Diese Akkus haben im täglichen Gebrauch zahlreiche Vorteile, wie z. B. geringes Gewicht und hohe Kapazität bei dennoch kompakter Bauweise. Darüber hinaus weisen diese Akkus auch praktisch keinen Memory-Effekt auf. Allerdings sind diese Akkus anfällig für den natürlichen Alterungsprozess, der ihre Funktionalität beeinträchtigt.

Moderne Akkus haben heute eine Lebensdauer von etwa 500 Ladezyklen, was bei täglichem Gebrauch einer Lebensdauer von etwa zwei Jahren entspricht. Nach diesem Zeitraum nimmt der Alterungsprozess rapide zu, sodass die Akkus nach 500 Ladezyklen als technisch defekt gelten. Außerdem können sich die Akkuzellen ausdehnen und im schlimmsten Fall irreparable Schäden an Ihrem Gerät verursachen. Aus diesem Grund sollten Akkus mit Lithium-Zellen spätestens nach zwei Jahren oder nach Erreichen einer Akkukapazität, die 50 % des Ausgangswerts beträgt, vom ECOM-Service-Fachpersonal ausgetauscht werden.

Hinweis:

Der in diesem Gerät verwendete Akku stellt eine Feuergefahr dar und kann bei unsachgemäßem Gebrauch chemische Verletzungen verursachen. Weder der Akku noch die Akkuzellen dürfen geöffnet oder zerlegt werden, und sie dürfen nicht verbrannt oder Temperaturen von mehr als 60 °C ausgesetzt werden.

9. Reinigung, Wartung und Lagerung

- Verwenden Sie zur Reinigung des Tablet-Computers nur ein geeignetes Tuch oder einen Schwamm.
- Verwenden Sie zur Reinigung keine Lösungsmittel oder scheuernde Reinigungsmittel.
- Wir empfehlen, das Gerät alle zwei Jahre vom Hersteller auf Funktion und Genauigkeit überprüfen zu lassen.
- Überschreiten Sie nicht den zulässigen Lagertemperaturbereich von -20 °C bis +60 °C.

10. Entsorgung



Elektro- und Elektronik-Altgeräte von der Firma ECOM Instruments GmbH werden zu unseren Lasten der Entsorgung zugeführt und nach der europäischen Richtlinie 2012/19/EU kostenfrei entsorgt. Bitte befolgen sie die lokalen Bestimmungen zur Entsorgung von Elektronik-Produkten. Der Versand der Geräte zu ECOM Instruments GmbH geht auf Kosten des Versenders.



Elektro- und Elektronik-Altgeräte dürfen nicht in den normalen Müll oder Hausmüll. Entsorgen sie Batterien gemäß der Europäische Richtlinie 2006/66/EG. Batterien sollten nicht mit dem normalen Müll oder Hausmüll entsorgt werden. Die Entsorgung kann über entsprechende Sammelstellen in Ihrem Land erfolgen.

11. Garantie und Haftung

Die Garantie für dieses Produkt richtet sich nach den Allgemeinen Liefer- und Zahlungsbedingungen von ECOM Instruments GmbH, die unter www.ecom-ex.com abrufbar sind oder alternativ direkt beim Hersteller angefordert werden können.

Diese Garantie kann durch die optionale Dienstgüterevereinbarung erweitert werden.

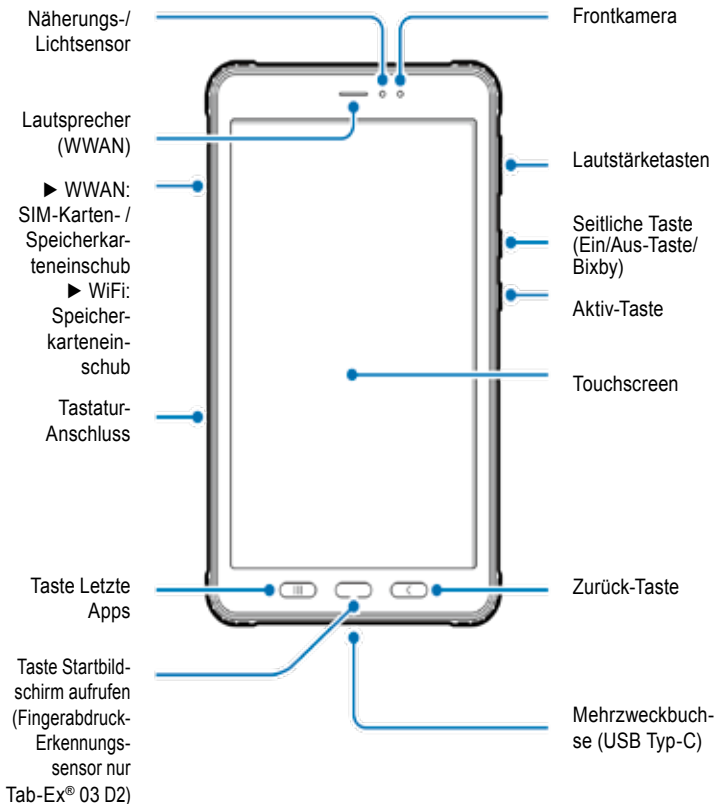
12. Geräteaufbau und Funktionen

Lieferumfang

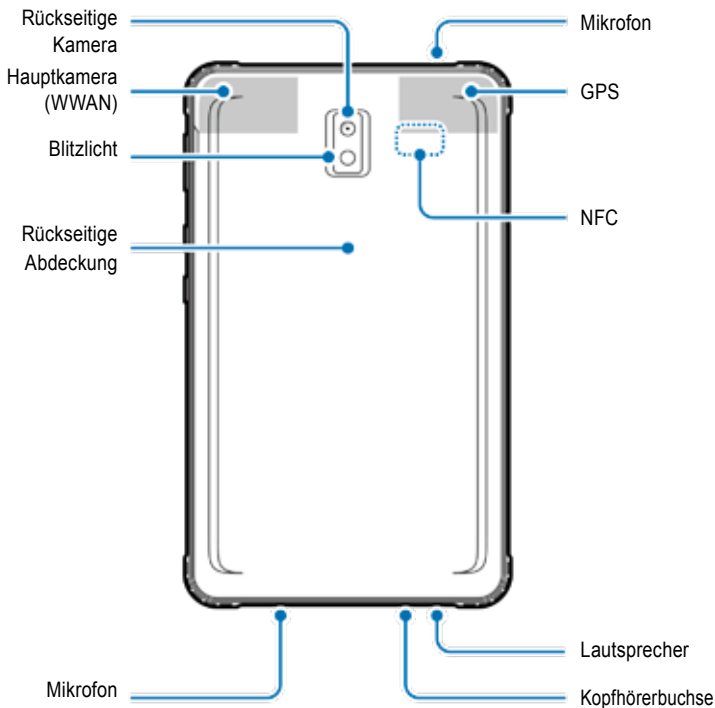
Den Verpackungsinhalt entnehmen Sie bitte der Kurzanleitung.

- Der Lieferumfang des Geräts und eventuell vorhandenes Zubehör können je nach Region oder Dienstanbieter variieren.
- Die mitgelieferten Teile sind nur für dieses Gerät bestimmt und möglicherweise nicht mit anderen Geräten kompatibel.
- Änderungen des Aussehens und der technischen Daten sind ohne vorherige Ankündigung vorbehalten.
- Zum Schutz Ihres Geräts wird eine Hülle mitgeliefert. Wenn Sie die am Gerät angebrachte Hülle entfernen möchten
- Wenn Sie die am Gerät angebrachte Hülle entfernen möchten, sollten Sie sie an den oberen Ecken abnehmen.

Geräte-Layout (WWAN / WiFi)



Geräte-Layout (WWAN / WiFi)



Das Tab-Ex® 03 basiert auf dem Samsung Tablet SM-T57x.

Wir führen keinerlei Änderungen am Betriebssystem durch.

Softwareupdates erhalten Sie deshalb direkt von Samsung (über OTA).

Aktuelle Security-Informationen erhalten Sie unter <https://security.samsungmobile.com/>

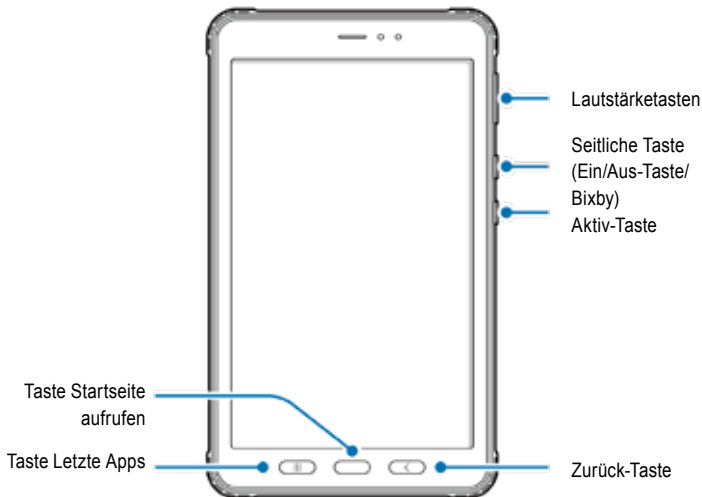


- Wenn Sie die Lautsprecher verwenden, z. B. bei der Wiedergabe von Mediendateien oder der Verwendung der Freisprecheinrichtung, halten Sie das Gerät nicht nahe an Ihre Ohren.
- Achten Sie darauf, das Kameraobjektiv keiner starken Lichtquelle, wie z. B. direkter Sonneneinstrahlung, auszusetzen. Wenn das Kameraobjektiv einer starken Lichtquelle, wie z. B. direkter Sonneneinstrahlung ausgesetzt wird, kann der Bildsensor der Kamera beschädigt werden. Ein beschädigter Bildsensor ist irreparabel und führt zu Punkten oder Flecken auf den Bildern.
- Wenn Sie das Gerät mit einem zerbrochenen Glas- oder Acrylgehäuse verwenden, besteht Verletzungsgefahr. Verwenden Sie das Gerät erst wieder, nachdem es von einem ECOM-Kundendienst repariert wurde.
- Wenn Staub oder Fremdkörper in das Mikrofon, den Lautsprecher oder den Empfänger eindringen, wird der Ton des Geräts möglicherweise leise oder bestimmte Funktionen arbeiten nicht. Wenn Sie versuchen, den Staub oder die Fremdkörper mit einem scharfen Gegenstand zu entfernen, kann das Gerät beschädigt und sein Aussehen beeinträchtigt werden.



- In den folgenden Situationen kann es zu Verbindungsproblemen und zum Entladen des Akkus kommen:
 - Wenn Sie metallische Aufkleber auf dem Antennenbereich des Geräts anbringen.
 - Wenn Sie eine Geräteabdeckung aus Metall am Gerät anbringen.
 - Wenn Sie den Antennenbereich des Geräts mit den Händen oder anderen Objekten abdecken, während Sie bestimmte Funktionen, wie Anrufe oder die mobile Datenverbindung nutzen (WWAN).
- Wir empfehlen die Verwendung eines von ECOM zugelassenen Bildschirmschutzes. Nicht zugelassene Bildschirmschutzfolien können zu Fehlfunktionen der Sensoren führen.
- Bedecken Sie den Bereich des Näherungs-/Lichtsensors nicht mit Bildschirmzubehör, wie z. B. einer Bildschirmschutzfolie, Aufklebern oder einer Abdeckung. Anderenfalls kann es zu Fehlfunktionen des Sensors kommen.
- Das Licht kann bei Anrufen aufgrund des Näherungssensors an der Oberseite des Geräts flackern.

Hardkeys



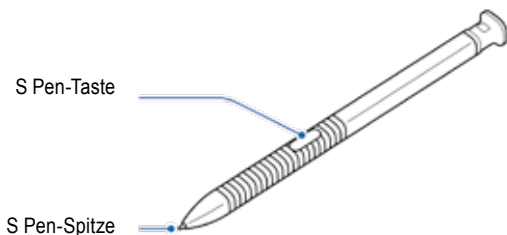
Taste	Funktion
Lautstärketasten	<ul style="list-style-type: none"> • Zum Einstellen der Gerätelautstärke drücken.
Seitliche Taste	<ul style="list-style-type: none"> • Zum Einschalten des Gerät gedrückt halten, wenn das Gerät ausgeschaltet ist. • Zum Einschalten oder Sperren des Bildschirms drücken. • Zum Start einer Konversation mit Bixby gedrückt halten. Weitere Informationen siehe Bixby. • Zum Start der eingestellten App oder Funktion zweimal drücken oder gedrückt halten.
Seitliche Taste und Lautstärke verringern	<ul style="list-style-type: none"> • Zur Aufnahme von Screenshot gleichzeitig drücken. • Zum Ausschalten des Geräts gleichzeitig gedrückt halten.
Aktiv-Taste	<ul style="list-style-type: none"> • Zum Start von voreingestellten Apps drücken oder gedrückt halten.
Taste Letzte Apps	<ul style="list-style-type: none"> • Zum Öffnen der letzten Apps drücken.
Taste Startseite aufrufen	<ul style="list-style-type: none"> • Zum Einschalten des Bildschirms drücken, während der Bildschirm gesperrt ist. • Zur Rückkehr zum Startbildschirm drücken. • Zum Start von Google Assistant gedrückt halten.
Zurück-Taste	<ul style="list-style-type: none"> • Zur Rückkehr zum Startbildschirm drücken.

Seitliche Taste einstellen

Wählen Sie eine App oder Funktion zum Starten aus, indem Sie die seitliche Taste zweimal drücken oder gedrückt halten.

Starten Sie die App Einstellungen, tippen Sie auf Erweiterte Funktionen → Seitliche Taste und wählen Sie dann die gewünschte Option.

S Pen



Name	Funktionen
S Pen-Spitze	<ul style="list-style-type: none">• Verwenden Sie den S Pen zum Schreiben, Zeichnen oder Ausführen von Touch-Aktionen auf dem Bildschirm.• Fahren Sie mit dem S Pen über Elemente auf dem Bildschirm, um auf zusätzliche S Pen-Funktionen zuzugreifen, wie z. B. die Luftansichtsfunktion.
S Pen-Taste	<ul style="list-style-type: none">• Halten Sie den S Pen über den Bildschirm und drücken Sie die S Pen-Taste, um die Luftbefehlsfunktionen anzuzeigen.• Während Sie die S Pen-Taste gedrückt halten, ziehen Sie ihn über Elemente, um sie auszuwählen.

Ersetzen der S Pen-Spitze

Wenn die Spitze stumpf ist, ersetzen Sie sie durch eine neue.

1 Halten Sie die Spitze mit einer Pinzette fest und entfernen Sie sie.

2 Setzen Sie eine neue Spitze in den S Pen ein.





Achten Sie darauf, Ihre Finger nicht mit der Pinzette einzuklemmen.



- Verwenden Sie alte Spitzen nicht wieder. Anderenfalls kann es zu Fehlfunktionen des S Pen kommen.
- Drücken Sie beim Einsetzen der Spitze in den S Pen nicht zu stark auf die Spitze.
- Setzen Sie nicht das runde Ende der Spitze in den S Pen ein. Anderenfalls kann es zu Schäden am S Pen oder an Ihrem Gerät kommen.
- Biegen Sie den S Pen nicht und üben Sie keinen übermäßigen Druck auf ihn aus, während Sie ihn verwenden. Der S Pen kann beschädigt oder die Spitze verformt werden.
- Drücken Sie mit dem S Pen nicht zu fest auf den Bildschirm. Die Stiftspitze kann verformt werden.



- Wenn Sie den S Pen in scharfen Winkeln auf dem Bildschirm verwenden, erkennt das Gerät die S Pen-Aktionen möglicherweise nicht.
- Wenn der S Pen nicht ordnungsgemäß funktioniert, bringen Sie ihn zu einem ECOM-Kundendienst.

Akku



Biegen oder verdrehen Sie das Ex-Battery cover nicht. Anderenfalls kann das Ex-Battery cover beschädigt werden.

Akku laden

Laden Sie den Akku, bevor Sie ihn zum ersten Mal verwenden oder wenn er längere Zeit nicht benutzt wurde.



Verwenden Sie nur von ECOM zugelassene Ladegeräte und Kabel, die speziell für Ihr Gerät entwickelt wurden. Ungeeignete Ladegeräte und Kabel können zu schweren Verletzungen oder Schäden an Ihrem Gerät führen.

Siehe MAS-0178 für zusätzliche Sicherheit beim Laden von Batterien.

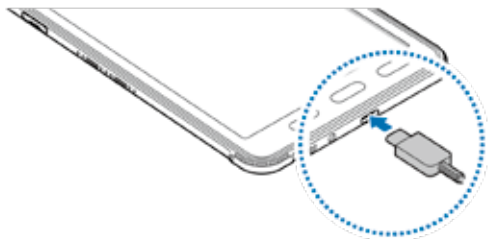


- Das unsachgemäße Anschließen des Ladegeräts kann zu schweren Schäden am Gerät führen.
Schäden, die durch unsachgemäßen Gebrauch verursacht werden, sind nicht durch die Garantie abgedeckt.
- Verwenden Sie nur das mit dem Gerät gelieferte USB-Typ-C-Kabel.
Das Gerät kann beschädigt werden, wenn Sie ein Micro-USB-Kabel verwenden.



Um Energie zu sparen, ziehen Sie den Stecker des Ladegeräts ab, wenn Sie es nicht verwenden. Das Ladegerät verfügt nicht über einen Ein/Aus-Schalter, daher müssen Sie es aus der Steckdose abziehen, wenn es nicht verwendet wird, um Energieverschwendung zu vermeiden. Das Ladegerät sollte während des Ladevorgangs in der Nähe der Steckdose bleiben und leicht zugänglich sein.

- 1 Schließen Sie das USB-Kabel am USB-Netzteil an.
- 2 Schließen Sie das USB-Kabel an der Mehrzweckbuchse des Geräts an.



- 3 Schließen Sie das USB-Netzteil an einer Steckdose an.
- 4 Nach dem vollständigen Aufladen, trennen Sie das Ladegerät vom Gerät.
Ziehen Sie anschließend den Stecker des Ladegeräts aus der Steckdose ab.



Batteriedeckel bzw. batterie darf nur von ECOM-Service-Fachpersonal entnommen werden! Dadurch kann das Gerät beschädigt werden.

Akkuverbrauch verringern

Ihr Gerät bietet verschiedene Optionen, die Ihnen helfen, die Akkuleistung zu schonen.

- Optimieren Sie das Gerät mit der Gerätepflegefunktion.
- Wenn Sie das Gerät nicht benutzen, schalten Sie den Bildschirm aus, indem Sie die seitliche Taste drücken.
- Aktivieren Sie den Energiesparmodus.
- Schließen Sie nicht benötigte Apps.
- Deaktivieren Sie die Bluetooth-Funktion, wenn Sie sie nicht verwenden.
- Deaktivieren Sie die automatische Synchronisierung von Apps, die synchronisiert werden müssen.
- Verringern Sie die Dauer der Hintergrundbeleuchtung.
- Verringern Sie die Bildschirmhelligkeit.

Tipps und Sicherheitshinweise zum Laden des Akkus

- Wenn die Akkuleistung niedrig ist, wird das Akkusymbol leer angezeigt.
- Wenn der Akku vollständig entladen ist, lässt sich das Gerät nicht sofort einschalten, wenn das Ladegerät angeschlossen ist. Lassen Sie einen entladenen Akku einige Minuten lang laden, bevor Sie das Gerät einschalten.
- Wenn Sie mehrere Apps gleichzeitig verwenden, Netzwerk-Apps oder Apps, die eine Verbindung zu einem anderen Gerät benötigen, wird der Akku schnell entladen. Um Energieverlust während der Datenübertragung zu vermeiden, verwenden Sie diese Apps immer, nachdem Sie den Akku vollständig aufgeladen haben.
- Die Verwendung einer anderen Stromquelle als das Ladegerät, z. B. eines Computers, kann zu einer langsameren Ladegeschwindigkeit aufgrund eines geringeren Stromflusses führen.
- Das Gerät kann während des Ladevorgangs verwendet werden, aber es kann länger dauern, bis der Akku vollständig geladen ist.
- Wenn das Gerät während des Ladens eine instabile Stromversorgung erhält, funktioniert der Touchscreen möglicherweise nicht. In diesem Fall trennen Sie das Ladegerät vom Gerät.
- Während des Ladens können sich das Gerät und das Ladegerät erwärmen. Dies ist normal und hat keine Auswirkungen auf Lebensdauer oder Leistung des Geräts. Wenn der Akku heißer als üblich wird, stoppt das Ladegerät möglicherweise den Ladevorgang. Wenn dies während des kabellosen Ladens auftritt, trennen Sie das Gerät vom Ladegerät, um es abkühlen zu lassen, und laden Sie das Gerät später erneut auf.
- Wenn Sie das Gerät laden, während die Mehrzweckbuchse nass ist, kann das Gerät beschädigt werden.
Trocknen Sie die Mehrzweckbuchse gründlich, bevor Sie das Gerät laden.
- Wenn das Gerät nicht einwandfrei geladen wird, bringen Sie Gerät und Ladegerät zu einem ECOM-Kundendienst.

Schnelles Laden

Das Gerät verfügt über eine integrierte Schnellladefunktion. Sie können den Akku schneller laden, während das Gerät oder sein Bildschirm ausgeschaltet ist.

Ladegeschwindigkeit erhöhen

Um die Ladegeschwindigkeit zu erhöhen, schalten Sie das Gerät oder seinen Bildschirm aus, wenn Sie den Akku laden. Wenn die Schnellladefunktion nicht aktiviert ist, starten Sie die App Einstellungen, tippen Sie auf Gerätepflege → Akku → Laden und dann auf den Schalter Schnellladen, um die Funktion zu aktivieren.



- Während des Ladevorgangs können Sie diese Funktion nicht aktivieren oder deaktivieren.
- Sie können die integrierte Schnellladefunktion nicht verwenden, wenn Sie den Akku mit einem Standard-Ladegerät laden.
- Wenn sich das Gerät erwärmt oder die Temperatur der Umgebungsluft ansteigt, kann sich die Ladegeschwindigkeit automatisch verringern. Dies ist eine normale Betriebsbedingung, um Schäden am Gerät zu vermeiden.

SIM- oder USIM-Karte (Nano-SIM-Karte) (WWAN)

SIM- oder USIM-Karte einsetzen

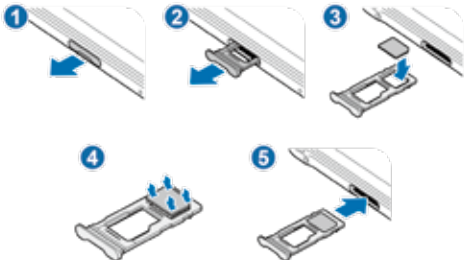
Setzen Sie die SIM- oder USIM-Karte ein, die Sie vom Mobilfunkanbieter erhalten haben.



- Verwenden Sie nur eine Nano-SIM-Karte.
- Sorgen Sie dafür, dass die SIM- oder USIM-Karte nicht verloren geht oder von anderen verwendet wird. ECOM ist nicht für Schäden oder Unannehmlichkeiten verantwortlich, die durch verlorene oder gestohlene Karten entstehen.



Einige Dienste, die eine Netzwerkverbindung erfordern, sind je nach Dienstanbieter möglicherweise nicht verfügbar.



- 1 Ziehen Sie die Karte vorsichtig aus dem Steckplatz heraus.
- 2 Setzen Sie die SIM- oder USIM-Karte mit den goldfarbenen Kontakten nach unten auf den Einschub.
- 3 Drücken Sie die SIM- oder USIM-Karte vorsichtig in den Einschub, um sie zu fixieren.



Wenn die Karte nicht fest im Einschub fixiert ist, kann sich die SIM-Karte lösen oder aus dem Einschub herausfallen.

- 4 Setzen Sie den Einschub wieder in den Steckplatz ein.



- Wenn Sie den Einschub in Ihr Gerät einsetzen, während es nass ist, kann Ihr Gerät beschädigt werden. Achten Sie darauf, dass der Einschub immer trocken ist.
- Schieben Sie den Einschub vollständig in den Steckplatz, damit keine Flüssigkeit in Ihr Gerät gelangt.

Speicherkarte (microSD-Karte)

Speicherkarte einsetzen

Die Kapazität der Speicherkarte Ihres Geräts kann von anderen Modellen abweichen und einige Speicherkarten sind je nach Hersteller und Typ möglicherweise nicht mit Ihrem Gerät kompatibel. Informationen zur maximalen Kapazität der Speicherkarte Ihres Geräts finden Sie auf der Samsung-Website.



- Einige Speicherkarten sind möglicherweise nicht vollständig mit dem Gerät kompatibel. Die Verwendung einer inkompatiblen Karte kann das Gerät oder die Speicherkarte oder die auf ihr gespeicherten Daten beschädigen.
- Setzen Sie die Speicherkarte vorsichtig mit der rechten Seite nach oben ein.

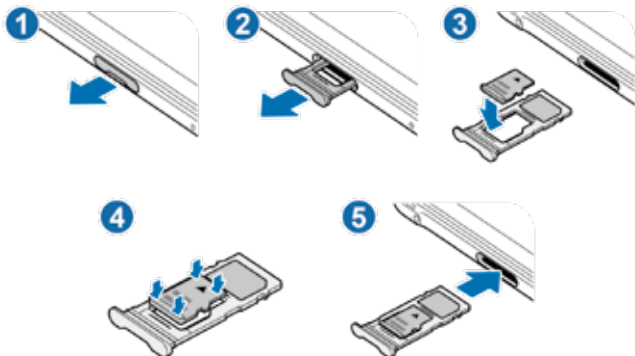


- Das Gerät unterstützt die Dateisysteme FAT und exFAT für Speicherkarten. Wenn Sie eine Karte einsetzen, die in einem anderen Dateisystem formatiert ist, fordert das Gerät zur Neuformatierung der Karte auf oder erkennt die Karte nicht. Um die Speicherkarte zu verwenden, müssen Sie sie formatieren.

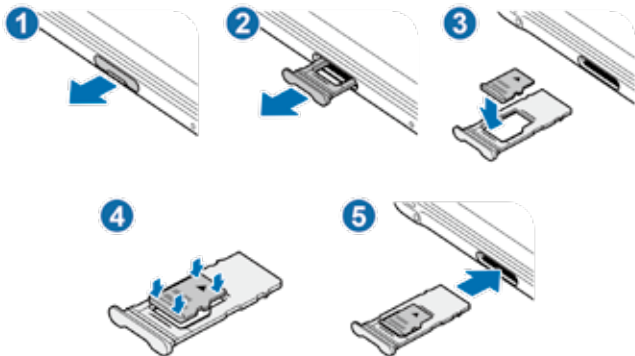
Wenn Ihr Gerät die Speicherkarte nicht formatieren oder erkennen kann, wenden Sie sich an den Hersteller der Speicherkarte oder an einen ECOM-Kundendienst.

- Häufiges Schreiben und Löschen von Daten verkürzt die Lebensdauer von Speicherkarten.
- Wenn Sie eine Speicherkarte in das Gerät einsetzen, wird das Dateiverzeichnis der Speicherkarte im Ordner **Meine Dateien** → **Ordner SD-Karte** angezeigt.

► WWAN:



► WiFi:



1 Ziehen Sie den Einschub vorsichtig aus dem Steckplatz heraus.



Wenn Sie den Einschub aus dem Gerät entfernen, wird die mobile Datenverbindung deaktiviert. (WWAN)

2 Legen Sie eine Speicherkarte so auf den Einschub, dass die goldfarbenen Kontakte nach unten zeigen.

3 Drücken Sie die Speicherkarte vorsichtig in den Einschub, um sie zu fixieren.



Wenn die Karte nicht fest im Einschub eingesetzt wird, kann sie herausfallen.

4 Setzen Sie den Einschub wieder in den Steckplatz ein.



- Wenn Sie den Einschub in Ihr Gerät einsetzen, während er nass ist, kann Ihr Gerät beschädigt werden. Vergewissern Sie sich stets, dass der Einschub trocken ist.
- Setzen Sie den Einschub vollständig in den Steckplatz ein, damit keine Flüssigkeit in Ihr Gerät gelangt.

Speicherkarte entfernen

Bevor Sie die Speicherkarte entfernen, sollten Sie sie zunächst aushängen, um sie sicher zu entfernen.

Starten Sie die App **Einstellungen** und tippen Sie auf **Gerätepflege** → **Speicher** → **Erweitert** → **SD-Karte** → **Aushängen**.



Entfernen Sie externe Speicher, wie z. B. eine Speicherkarte oder einen USB-Speicher nicht, während das Gerät Daten überträgt oder darauf zugreift, oder direkt nach der Datenübertragung. Anderenfalls können Daten beschädigt werden oder verloren gehen oder der externe Speicher oder das Gerät beschädigt werden. ECOM ist nicht für Verluste, einschließlich Datenverluste, die durch den Missbrauch von externen Speichergeräten entstehen, verantwortlich.

Speicherkarte formatieren

Eine Speicherkarte, die auf einem Computer formatiert wurde, ist möglicherweise nicht mit dem Gerät kompatibel.

Formatieren Sie die Speicherkarte auf dem Gerät.

Starten Sie die App **Einstellungen** und tippen Sie auf **Gerätepflege** → **Speicher** → **Erweitert** → **SD-Karte** → **Formatieren**.

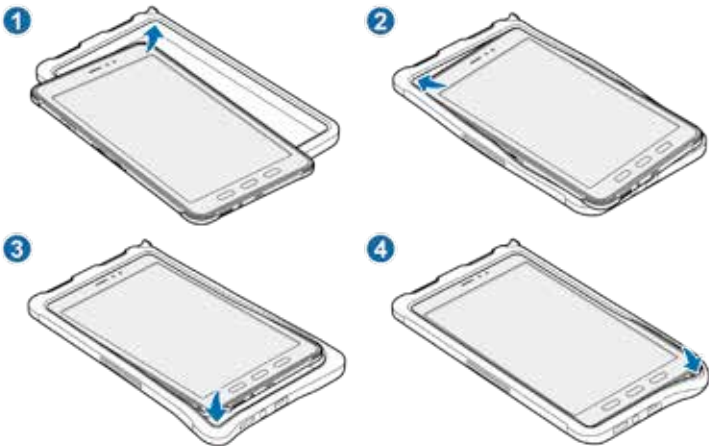


Denken Sie daran, vor dem Formatieren der Speicherkarte Sicherungskopien aller wichtigen Daten zu erstellen, die auf der Karte gespeichert sind. Die Herstellergarantie deckt nicht den Verlust von Daten ab, die durch Benutzeraktionen entstanden sind.

Ex-Protective case

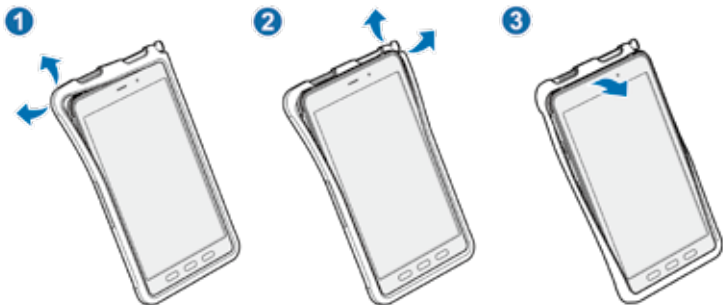
Ex-Protective case installieren

Setzen Sie das Oberteil des Geräts in das Ex-Protective case ein, und drücken Sie dann mit beiden Händen die Kanten des Unterteils nacheinander an, um das Ex-Protective case fest zu installieren.



Ex-Protective case entfernen

Drücken Sie bei aufrecht stehendem Gerät mit beiden Händen nacheinander auf die Kanten des Oberteils, bis das Gerät aus der Hülle herausragt, und nehmen Sie das Gerät aus dem Ex-Protective case heraus.



S Pen installieren

Setzen Sie den S Pen in das Oberteil des Ex-Protective case ein.



Setzen Sie den S Pen nicht verkehrt herum in das Ex-Protective case ein.

Gerät ein- und ausschalten



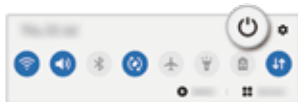
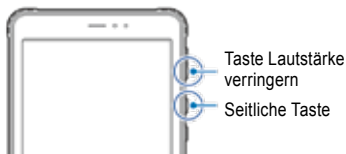
Befolgen Sie alle Warnhinweise und Anleitungen von autorisiertem Personal in Bereichen, in denen die Verwendung von Funkgeräten eingeschränkt ist, z. B. in Flugzeugen und Krankenhäusern.

Gerät einschalten

Halten Sie die seitliche Taste für einige Sekunden gedrückt, um das Gerät einzuschalten. Wenn Sie Ihr Gerät das erste Mal einschalten oder nachdem Sie eine Daten-Rücksetzung durchgeführt haben, folgen Sie den Hinweisen auf dem Bildschirm, um Ihr Gerät einzurichten.

Gerät ausschalten

1 Um das Gerät auszuschalten, halten Sie gleichzeitig die seitliche Taste und die Taste Lautstärke verringern gedrückt. Alternativ öffnen Sie das Benachrichtigungsfeld durch Antippen.



2 Tippen Sie auf Ausschalten.

Um das Gerät neu zu starten, tippen Sie auf Neustart.



Sie können das Gerät so einstellen, dass es sich ausschaltet, wenn Sie die seitliche Taste gedrückt halten. Starten Sie die App **Einstellungen**, tippen Sie auf **Erweiterte Funktionen** → **Seitliche Taste** und dann auf **Ausschaltmenü** und **Gedrückt halten**.

Neustart erzwingen

Wenn Ihr Gerät „eingefroren“ ist und nicht reagiert, halten Sie gleichzeitig die seitliche Taste und die Taste Lautstärke verringern für mehr als 7 Sekunden gedrückt, um einen Neustart zu erzwingen.

Contenu

1. Application	50
2. Précautions de sécurité	50
3. Déclaration d'exposition aux rayonnements	50
4. Bande et mode	51
5. Réparation	51
6. Insertion de la carte SIM/USIM (modèle LTE/WWAN uniquement) et de la carte microSD.....	51
7. Chargement de la tablette.....	52
8. Précautions de sécurité pour la batterie.....	52
9. Nettoyage, entretien et stockage.....	53
10. Destruction.....	53
11. Garantie et responsabilité	54
12. Disposition et fonctions de l'appareil	54

Remarque :

Le mode d'emploi actuel, les instructions de sécurité Ex, la déclaration de conformité UE et le certificat de conformité peuvent être téléchargés à partir de la page produit correspondante sur www.ecom-ex.com, ou peuvent être demandés directement auprès du fabricant.

1. Application

Le Tab-Ex® 03 est une tablette à sécurité intrinsèque Zone 2 / Zone 22 résistant à l'eau, à la poussière et aux chocs pour les applications industrielles dans les zones dangereuses avec des atmosphères gazeuses et poussiéreuses conformément à la directive ATEX 2014/34/UE et au système IECEx.

2. Précautions de sécurité

Ces consignes de sécurité contiennent des informations et des consignes de sécurité qui doivent être respectées. Le non-respect de ces informations et de ces instructions peut avoir des conséquences graves et peut contrevenir à la réglementation. Veuillez lire attentivement ces consignes de sécurité avant de commencer à utiliser l'appareil. En cas d'informations contradictoires, les détails spécifiés dans les consignes de sécurité s'appliquent. En cas de doute (sous forme d'erreurs de traduction ou d'impression), la version anglaise s'appliquera.

3. Déclaration d'exposition aux rayonnements

Avertissement : Cet équipement est conforme aux normes de la Commission internationale de protection contre les rayonnements non ionisants (ICNIRP), IEEE C95.1, Commission fédérale des communications Bureau de l'ingénierie et de la technologie (OET) Bulletin 65 et les limites EN62311 du Comité européen de normalisation électrotechnique (CENELEC) pour l'exposition aux rayonnement de radiofréquences (RF). L'ID FCC est imprimé sur l'étiquette de l'appareil.

Il faut retirer le couvercle Ex-Protective pour trouver l'information.

3.1 Valeurs DAS pour les pays européens :

Les valeurs DAS ci-dessous concernent uniquement les appareils développés pour une utilisation dans les pays européens. La limite DAS est de 2,0 W/kg.

DAS maximum pour ce modèle et conditions dans lesquelles il a été enregistré :

DAS porté sur le corps : 1,390 W/kg

DAS pour la tête : 1,091 W/kg

3.2 Valeurs DAS pour les États Unis :

Les valeurs DAS ci-dessous concernent uniquement les appareils développés pour une utilisation dans les États Unis.

La limite DAS est de 1,6 W/kg.

DAS maximum pour ce modèle et conditions dans lesquelles il a été enregistré :

DAS porté sur le corps : 1,390 W/kg

Transmission simultanée : 1,58 W/kg

4. Bande et mode

Bande et mode	Puissance de sortie
EGSM 850/900	33 dBm
DCS 1800/1900	30 dBm
WCDMA 900/2100	24 dBm
LTE 1/2/3/4/5/7/8/12/13/17/20/28/38/40/41/66	23 dBm
Wi-Fi 2,4 GHz	20 dBm
Bluetooth 2,4 GHz	20 dBm
Wi-Fi 5,1-5,7 GHz	23 dBm
Wi-Fi 5,8 GHz	25 mW
NFC 13,56 MHz	42 dBuA/m à 10 m

L'utilisation de la bande WLAN est limitée à une utilisation en intérieur uniquement. Cette restriction sera appliquée dans tous les états membres de l'UE.

5. Réparation

Les réparations doivent être effectuées par ECOM Instruments GmbH ou par du personnel ou des centres de service agréés par ECOM Instruments GmbH uniquement, car la sécurité de l'appareil doit être testée après la mise en œuvre des réparations. La feuille du rapport de réparation peut être téléchargée à partir de la zone de service à l'adresse www.ecom-ex.com.

6. Insertion de la carte SIM/USIM (modèle LTE/WWAN uniquement) et de la carte microSD

1. Retirez le Ex-Protective Case de l'appareil.
2. Retirez doucement le plateau de sa fente.
3. Placez la carte SIM ou USIM sur le plateau avec les contacts dorés face vers le bas.
4. Pressez doucement sur la carte SIM ou USIM dans le plateau pour la fixer.
5. Fixez le Ex-Protective Case.

Voir aussi Image Page 65

7. Chargement de la tablette

Le chargement de la tablette n'est autorisé qu'en dehors des zones dangereuses ! La batterie de la tablette est livrée pas complètement chargée. Il est recommandé de charger la batterie de la tablette pendant cinq heures avant de l'utiliser pour la première fois. La pleine capacité de la batterie est atteinte après 3 à 4 cycles complets de charge/décharge.

Remarque :

- Il existe un risque d'explosion si l'appareil est exposé aux flammes.
- Utilisez uniquement des chargeurs approuvés par ECOM.

Pour des raisons de sécurité de type EX, le couvercle de la batterie est scellé et ne peut être ouvert que par le personnel de service ECOM. De même, le remplacement de la batterie ne peut être effectué que par ce personnel.

8. Précautions de sécurité pour la batterie

Les chargeurs endommagés doivent être retirés de l'utilisation et envoyés à ECOM Instruments GmbH pour inspection.

Remarque :

- Des températures extrêmes peuvent avoir un effet négatif sur la charge de la batterie.
- Ne jetez pas l'appareil au feu.
- Éliminer l'appareil conformément aux réglementations locales et non avec les déchets ménagers normaux.

Une batterie lithium-ion de haute qualité est utilisée dans votre Tab-Ex® 03. Ces batteries présentent de nombreux avantages au quotidien, comme un faible poids et une grande capacité dans une construction néanmoins compacte. De plus, ces batteries ne présentent pratiquement aucun effet mémoire. Cependant, ces batteries sont sensibles à un processus de vieillissement naturel qui altère leur fonctionnalité.

Les batteries modernes ont aujourd'hui une durée de vie d'environ 500 cycles de charge, ce qui, lorsqu'elles sont utilisées quotidiennement, correspond à une durée de vie d'environ deux ans. Le processus de vieillissement augmente rapidement après cette période, ce qui signifie que les batteries sont réputées techniquement défectueuses après 500 cycles de charge. De plus, les cellules de la batterie pourraient se dilater et causer des dommages irréparables à votre appareil dans le pire des cas. C'est pourquoi les batteries rechargeables avec des cellules au lithium doivent être remplacées par le personnel du service après-vente d'ECOM au plus tard après deux ans ou après avoir atteint une capacité de 50% de sa valeur initiale.

Remarque :

La batterie utilisée dans cet appareil présente un risque d'incendie et peut provoquer des blessures chimiques si elle est mal utilisée. Ni la batterie ni les cellules de la batterie ne doivent être ouvertes ou démontées et elles ne doivent pas être brûlées ou exposées à des températures supérieures à 60 °C.

9. Nettoyage, entretien et stockage

- Utilisez uniquement un chiffon ou une éponge approprié pour nettoyer la tablette.
- N'utilisez pas de solvants ou d'agents de nettoyage abrasifs lors du nettoyage.
- Il est recommandé de faire inspecter la fonctionnalité et la précision de la tablette par le fabricant tous les deux ans.
- Ne pas dépasser la plage de température de stockage admissible de -20°C à +60°C

10. Destruction



Les vieux appareils électriques de ECOM Instruments GmbH seront envoyés pour élimination à nos frais et éliminés gratuitement en vertu de la directive européenne 2012/19/EU. Veuillez observer les règlements locaux pour l'élimination des produits électroniques. Les coûts liés au retour des appareils à ECOM Instruments GmbH sont à la charge de l'expéditeur.

Les appareils électriques et électroniques ne doivent pas être jetés avec les déchets normaux ni avec les déchets ménagers.



Mettez les piles au rebut conformément à la directive européenne 2006/66/CE.

Les piles ne doivent pas être jetées avec les déchets normaux ou ménagers.

L'élimination peut se faire via des points de collecte appropriés dans votre pays. Toutes les piles et batteries rechargeables peuvent être recyclées. Des matières premières précieuses comme le fer, le zinc et le nickel peuvent ainsi être réutilisées.

11. Garantie et responsabilité

La garantie de ce produit suit les conditions générales de livraison et de paiement d'ECOM Instruments GmbH, qui sont disponibles sur www.ecom-ex.com, ou peuvent être demandées directement auprès du fabricant.

Cette garantie peut être prolongée par l'accord de niveau de service en option.

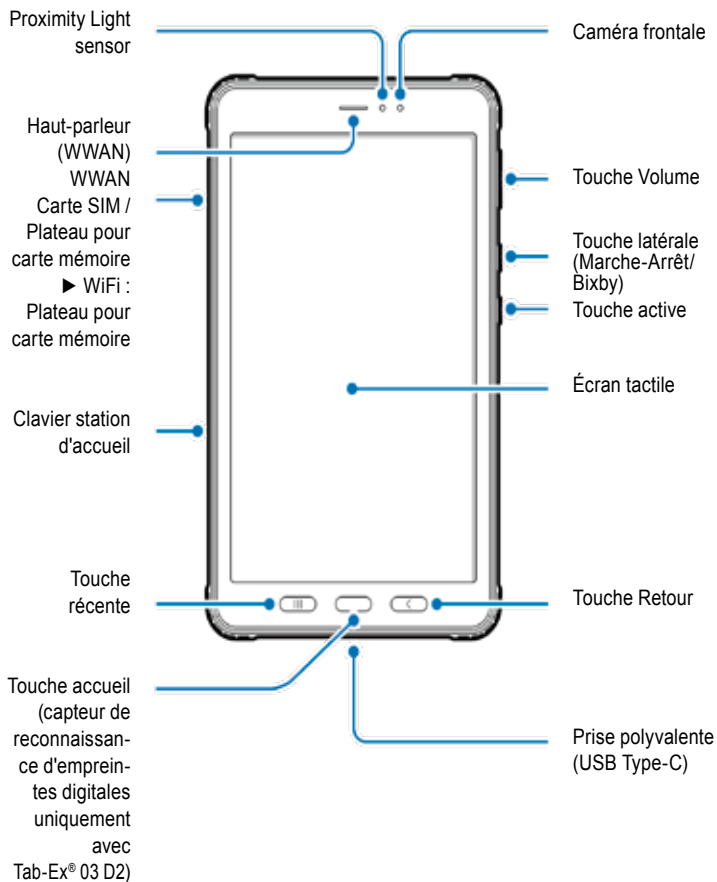
12. Disposition et fonctions de l'appareil

Contenu du paquet

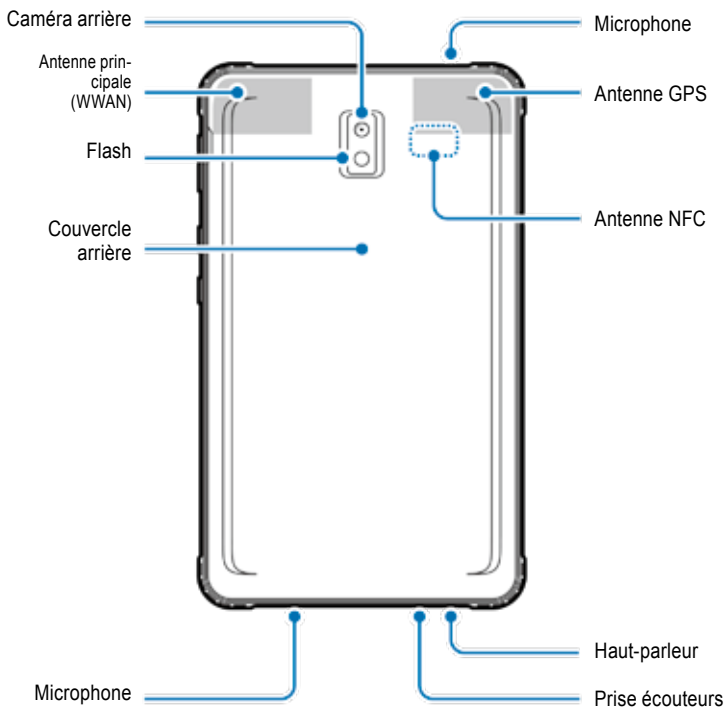
Veuillez vous reporter au guide de démarrage rapide pour plus de détails sur le contenu du paquet.

- Les articles fournis avec l'appareil et les accessoires offerts peuvent varier selon la région ou le fournisseur de service.
- Les articles fournis sont uniquement conçus pour cet appareil et pourraient ne pas être compatibles avec d'autres appareils.
- Les apparences et les spécifications peuvent être modifiées sans préavis.
- Un boîtier est fourni pour protéger votre appareil. Si vous souhaitez retirer le boîtier de l'appareil, il est recommandé de le détacher à partir des coins supérieurs.

Disposition de l'appareil (WWAN)



Disposition de l'appareil (WWAN / WiFi)



La Tab-Ex[®] 03 est basée sur la tablette Samsung SM-T57x.

Nous n'apportons aucune modification au système d'exploitation.

Vous recevrez donc les mises à jour logicielles directement de Samsung (via OTA).

Vous pouvez obtenir les dernières informations sur la sécurité à l'adresse <https://security.samsungmobile.com/>.

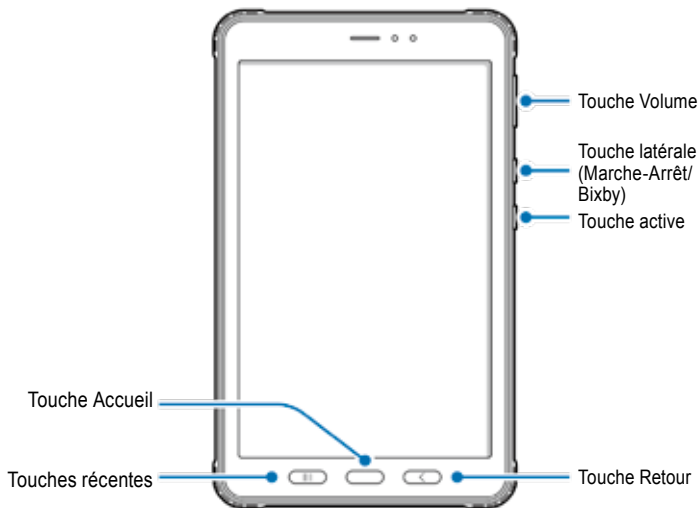


- Lors de l'utilisation des haut-parleurs, par exemple lors de la lecture de fichiers multi-médias ou de l'utilisation du haut-parleur, ne placez pas l'appareil près de vos oreilles.
- Veillez à ne pas exposer l'objectif de l'appareil photo à une source lumineuse puissante, telle que la lumière directe du soleil. Si l'objectif de l'appareil photo est exposé à une source lumineuse puissante, telle que la lumière directe du soleil, le capteur d'image de l'appareil photo peut être endommagé. Un capteur d'image endommagé est irréparable et provoquera des points ou des taches sur les images.
- Si vous utilisez l'appareil avec son corps en verre ou en acrylique cassé, il peut y avoir un risque de blessure. N'utilisez l'appareil qu'une fois qu'il a été réparé dans un centre de service ECOM.
- Si de la poussière ou des corps étrangers pénètrent dans le microphone, le haut-parleur ou le récepteur, le son de l'appareil peut devenir faible ou certaines fonctions peuvent ne pas fonctionner. Si vous essayez d'enlever la poussière ou les corps étrangers avec un objet pointu, l'appareil peut être endommagé et son apparence peut être affectée.



- Des problèmes de connectivité et d'épuisement de la batterie peuvent survenir dans les situations suivantes :
 - Si vous collez des autocollants métalliques sur la zone de l'antenne de l'appareil
 - Si vous fixez un couvercle d'appareil en matériau métallique à l'appareil
 - Si vous couvrez la zone d'antenne de l'appareil avec vos mains ou d'autres objets lors de l'utilisation de certaines fonctionnalités, telles que les appels ou la connexion de données mobiles (WWAN)
- L'utilisation d'un protecteur d'écran approuvé par ECOM est recommandée. Des protecteurs d'écran non approuvés peuvent entraîner un dysfonctionnement des capteurs.
- Ne couvrez pas la zone du capteur de proximité/lumière avec des accessoires d'écran, tels qu'un protecteur d'écran, des autocollants ou une coque. Cela pourrait entraîner le dysfonctionnement des capteurs.
- La lumière peut clignoter en haut de l'appareil pendant les appels en raison du fonctionnement du capteur de proximité.

Touches matérielles



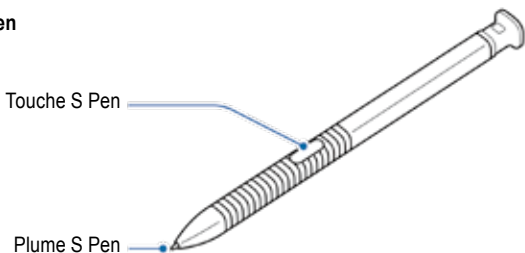
Touche	Fonction
Touche Volume	<ul style="list-style-type: none"> • Pressez pour régler le volume de l'appareil.
Touche latérale	<ul style="list-style-type: none"> • Lorsque l'appareil est éteint, maintenez enfoncée pour l'allumer. • Pressez pour allumer ou verrouiller l'écran. • Maintenez enfoncée pour démarrer une conversation avec Bixby. Reportez-vous à Utilisation de Bixby pour plus d'informations. • Pressez deux fois ou maintenez enfoncée pour lancer l'application ou la fonctionnalité que vous avez définie.
Touche latérale + Touche de réduction du volume	<ul style="list-style-type: none"> • Pressez simultanément pour faire une capture d'écran. • Pressez et maintenez simultanément pour éteindre l'appareil.
Touche active	<ul style="list-style-type: none"> • Pressez ou maintenez enfoncé pour lancer des applications prédéfinies.
Touches récentes	<ul style="list-style-type: none"> • Pressez pour ouvrir la liste des applications récentes.
Touche Accueil	<ul style="list-style-type: none"> • Pressez pour allumer l'écran pendant qu'il est verrouillé. • Pressez pour revenir à l'écran d'accueil. • Pressez et maintenez pour lancer l'application Google Assistant.
Touche Retour	<ul style="list-style-type: none"> • Pressez pour revenir à l'écran précédent.

Réglage de la touche latérale

Sélectionnez une application ou une fonctionnalité à lancer en appuyant deux fois sur la touche latérale ou en maintenant enfoncée la touche latérale.

Lancez l'application Paramètres, appuyez sur Fonctionnalités avancées → Touche latérale, puis sélectionnez l'option souhaitée.

S Pen



Nom	Fonctions
Plume S Pen	<ul style="list-style-type: none">• Utilisez le S Pen pour écrire, dessiner ou effectuer des actions tactiles sur l'écran.• Passez le S Pen sur les éléments à l'écran pour accéder à des fonctionnalités supplémentaires du S Pen, telles que la fonction Vue aérienne.
Touche S Pen	<ul style="list-style-type: none">• Passez le S Pen sur l'écran et pressez la touche S Pen pour afficher les fonctions de commande aérienne.• Tout en pressant la touche du S Pen et en le maintenant enfoncée, faites glisser le S Pen sur les éléments pour les sélectionner.

Remplacement de la pointe du S Pen

Si la pointe est usée, remplacez-la par une nouvelle.

1 Tenez fermement la pointe avec la pince et retirez-la.

2 Insérez une nouvelle pointe dans le S Pen.





Attention à ne pas vous pincer les doigts avec la pince.



- Ne réutilisez pas les vieilles plumes. Cela pourrait entraîner un dysfonctionnement du S Pen.
- N'appuyez pas excessivement sur la pointe lorsque vous l'insérez dans le S Pen.
- N'insérez pas l'extrémité ronde de la pointe dans le S Pen. Cela pourrait endommager le S Pen ou votre appareil.
- Ne pliez pas et n'appliquez pas de pression excessive avec le S Pen lorsque vous l'utilisez.
Le S Pen peut être endommagé ou la pointe peut être déformée.
- N'appuyez pas trop fort sur l'écran avec le S Pen. La pointe du stylo peut être déformée.



- Si vous utilisez le S Pen à des angles aigus sur l'écran, l'appareil peut ne pas reconnaître les actions du S Pen.
- Si le S Pen ne fonctionne pas correctement, apportez-le à un centre de service ECOM.

Batterie



Ne pas plier ou tordre le couvercle de la batterie Ex.
Cela pourrait l'endommager.

Chargement de la batterie

Chargez la batterie avant de l'utiliser pour la première fois ou lorsqu'elle n'a pas été utilisée pendant de longues périodes.



Utilisez uniquement un chargeur et un câble approuvés par ECOM et spécialement conçus pour votre appareil. Une chargeur et un câble incompatibles peuvent causer des blessures graves ou endommager votre appareil.
Voir MAS-0178 pour plus de sécurité concernant la charge de la batterie.

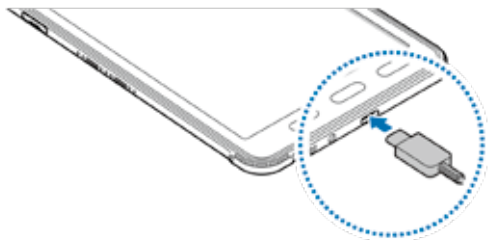


- Un branchement incorrect du chargeur peut endommager gravement l'appareil. Tout dommage causé par une mauvaise utilisation n'est pas couvert par la garantie.
- Utilisez uniquement le câble USB Type-C fourni avec l'appareil. L'appareil peut être endommagé si vous utilisez un câble Micro USB.



Pour économiser de l'énergie, débranchez le chargeur lorsqu'il n'est pas utilisé. Le chargeur n'a pas d'interrupteur d'alimentation, vous devez donc débrancher le chargeur de la prise électrique lorsqu'il n'est pas utilisé pour éviter de gaspiller de l'énergie. Le chargeur doit rester proche de la prise électrique et facilement accessible pendant la charge.

- 1 Connectez le câble USB à l'adaptateur secteur USB.
- 2 Branchez le câble USB dans la prise multifonction de l'appareil.



- 3 Branchez l'adaptateur secteur USB dans une prise électrique.
- 4 Une fois la charge terminée, débranchez le chargeur de l'appareil. Ensuite, débranchez le chargeur de la prise électrique.



Le couvercle de la batterie ou la batterie ne doivent être retirés que par le personnel de service ECOM ! Cela pourrait endommager l'appareil.

Réduire la consommation de la batterie

Votre appareil propose diverses options qui vous aident à économiser la batterie.

- Optimisez l'appareil à l'aide de la fonction d'entretien de l'appareil.
- Lorsque vous n'utilisez pas l'appareil, éteignez l'écran en appuyant sur la touche latérale.
- Activez le mode d'économie d'énergie.
- Fermez les applications inutiles.
- Désactivez la fonction Bluetooth lorsque vous ne l'utilisez pas.
- Désactivez la synchronisation automatique des applications qui doivent être synchronisées.
- Diminuez le temps de rétroéclairage.
- Diminuez la luminosité de l'écran.

Conseils et précautions de charge de la batterie

- Lorsque la charge de la batterie est faible, l'icône de batterie apparaît vide.
- Si la batterie est complètement déchargée, l'appareil ne peut pas être allumé immédiatement lorsque le chargeur est connecté. Laissez une batterie déchargée se charger pendant quelques minutes avant d'allumer l'appareil.
- Si vous utilisez plusieurs applications à la fois, des applications réseau ou des applications nécessitant une connexion à un autre appareil, la batterie se déchargera rapidement. Pour éviter de perdre de l'énergie lors d'un transfert de données, utilisez toujours ces applications après avoir complètement chargé la batterie.
- L'utilisation d'une source d'alimentation autre que le chargeur, comme un ordinateur, peut entraîner une vitesse de charge plus lente en raison d'un courant électrique plus faible.
- L'appareil peut être utilisé pendant qu'il est en charge, mais le chargement complet de la batterie peut prendre plus de temps.
- Si l'appareil reçoit une alimentation électrique instable pendant la charge, l'écran tactile peut ne pas fonctionner. Si cela se produit, débranchez le chargeur de l'appareil.
- Pendant la charge, l'appareil et le chargeur peuvent chauffer. Ceci est normal et ne devrait pas affecter la durée de vie ou les performances de l'appareil. Si la batterie devient plus chaude que d'habitude, le chargeur peut arrêter de se charger. Si cela se produit pendant la charge sans fil, déconnectez l'appareil du chargeur pour le laisser refroidir, puis rechargez l'appareil plus tard.
- Si vous chargez l'appareil alors que la prise multifonction est humide, l'appareil risque d'être endommagé.
Séchez soigneusement la prise multifonction avant de charger l'appareil.
- Si l'appareil ne se charge pas correctement, apportez l'appareil et le chargeur à un centre de service ECOM.

Charge rapide

L'appareil dispose d'une fonction de charge rapide intégrée. Vous pouvez charger la batterie plus rapidement lorsque l'appareil ou son écran est éteint.

Augmenter la vitesse de charge

Pour augmenter la vitesse de charge, éteignez l'appareil ou son écran lorsque vous chargez la batterie. Si la fonction de charge rapide n'est pas activée, lancez l'application Paramètres, appuyez sur Entretien de l'appareil → Batterie → Charge, puis appuyez sur le commutateur de charge rapide pour l'activer.



- Pendant la charge, vous ne pouvez pas activer ou désactiver cette fonction.
- Vous ne pouvez pas utiliser la fonction de charge rapide intégrée lorsque vous chargez la batterie à l'aide d'un chargeur de batterie standard.
- Si l'appareil chauffe ou si la température de l'air ambiant augmente, la vitesse de charge peut diminuer automatiquement. Il s'agit d'une condition de fonctionnement normale pour éviter d'endommager l'appareil.

Carte SIM ou USIM (carte nano-SIM) (WWAN)

Installation de la carte SIM ou USIM

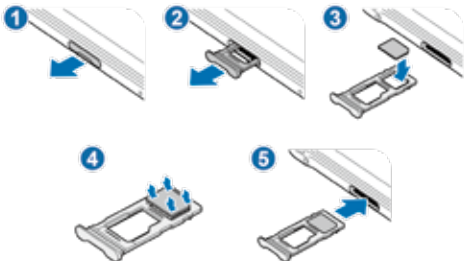
Insérez la carte SIM ou USIM fournie par l'opérateur de téléphonie mobile.



- Utilisez uniquement une carte nano-SIM.
- Faites attention à ne pas perdre ou laisser d'autres personnes utiliser la carte SIM ou USIM. ECOM n'est pas responsable des dommages ou inconvénients causés par des cartes perdues ou volées.



Certains services qui nécessitent une connexion réseau peuvent ne pas être disponibles selon le fournisseur de services.



- 1 Retirez doucement le plateau de sa fente.
- 2 Placez la carte SIM ou USIM sur le plateau avec les contacts dorés face vers le bas.
- 3 Pressez doucement sur la carte SIM ou USIM dans le plateau pour la fixer.



Si la carte n'est pas fixée fermement dans le plateau, la carte SIM peut sortir ou tomber du plateau.

- 4 Réinsérez le plateau dans la fente du plateau.



- Si vous insérez le plateau dans votre appareil alors qu'il est humide, votre appareil peut être endommagé. Assurez-vous toujours que le plateau est sec.
- Insérez complètement le plateau dans la fente du plateau pour empêcher le liquide de pénétrer dans votre appareil.

Carte mémoire (carte microSD) Installation d'une carte mémoire

La capacité de la carte mémoire de votre appareil peut varier par rapport aux autres modèles et certaines cartes mémoire peuvent ne pas être compatibles avec votre appareil selon le fabricant et le type de carte mémoire. Pour afficher la capacité maximale de la carte mémoire de votre appareil, consultez le site Web de Samsung.



- Certaines cartes mémoire peuvent ne pas être entièrement compatibles avec l'appareil.
L'utilisation d'une carte incompatible peut endommager l'appareil ou la carte mémoire, ou corrompre les données qui y sont stockées.
- Soyez prudent lorsque vous insérez la carte mémoire à l'endroit.

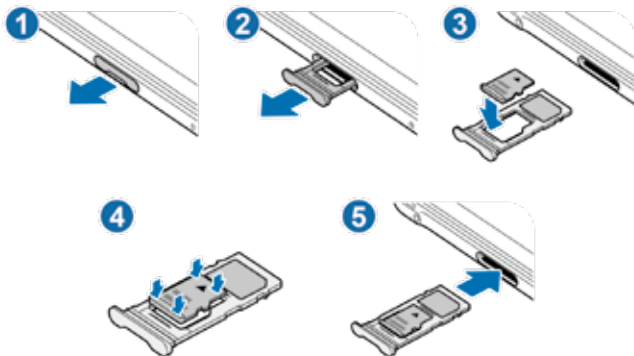


- L'appareil prend en charge les systèmes de fichiers FAT et exFAT pour les cartes mémoire.
Lors de l'insertion d'une carte formatée dans un système de fichiers différent, l'appareil demandera de reformater la carte ou ne reconnaîtra pas la carte. Pour utiliser la carte mémoire, vous devez la formater.

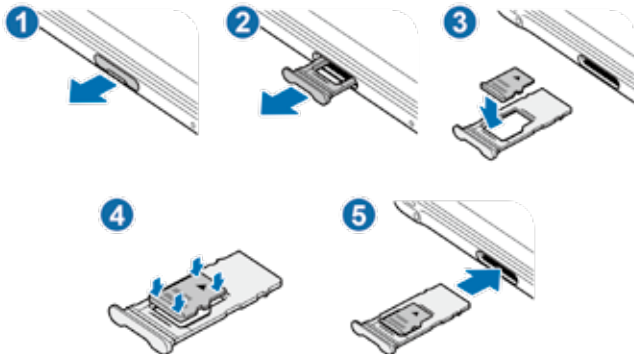
Si votre appareil ne peut pas formater ou reconnaître la carte mémoire, contactez le fabricant de la carte mémoire ou un centre de service ECOM.

- L'écriture et l'effacement fréquents des données raccourcissent la durée de vie des cartes mémoire.
- Lors de l'insertion d'une carte mémoire dans l'appareil, le répertoire de fichiers de la carte mémoire apparaît dans le **Mes dossiers** → **Dossier de la carte SD**.

► WWAN :



► WiFi :



1 Retirez doucement le plateau de sa fente.



Lorsque vous retirez le plateau de l'appareil, la connexion de données mobiles sera désactivée. (WWAN)

2 Placez une carte mémoire sur le plateau avec les contacts dorés vers le bas.

3 Appuyez doucement sur la carte mémoire dans le tiroir pour la fixer.



Si la carte n'est pas fixée fermement dans le plateau, la carte mémoire peut sortir ou tomber du plateau.

4 Réinsérez le plateau dans sa fente.



- Si vous insérez le plateau dans votre appareil alors qu'il est humide, votre appareil peut être endommagé. Assurez-vous toujours que le plateau est sec.
- Insérez complètement le plateau dans sa fente pour empêcher le liquide de pénétrer dans votre appareil.

Retrait de la carte mémoire

Avant de retirer la carte mémoire, commencez par la démonter pour un retrait en toute sécurité.

Lancez **Paramètres** et tapez **Entretien de l'appareil** → **Stockage** → **Avancé** → **carte SD** → **Démonter**.



Ne retirez pas le stockage externe, tel qu'une carte mémoire ou un stockage USB, pendant que l'appareil transfère ou accède à des informations, ou juste après le transfert de données. Cela peut entraîner la corruption ou la perte de données ou endommager le stockage externe ou le périphérique. ECOM n'est pas responsable des pertes, y compris la perte de données, résultant d'une mauvaise utilisation de périphériques de stockage externes.

Formatage de la carte mémoire

Une carte mémoire formatée sur un ordinateur peut ne pas être compatible avec l'appareil.

Formatez la carte mémoire sur l'appareil.

Lancez **Paramètres** et tapez **Entretien de l'appareil** → **Stockage** → **Avancé** → **carte SD** → **Formater**.

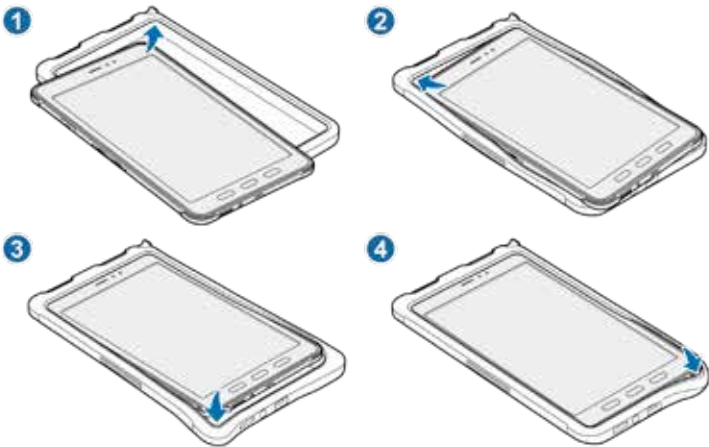


Avant de formater la carte mémoire, n'oubliez pas de faire des copies de sauvegarde de toutes les données importantes stockées sur la carte mémoire. La garantie du fabricant ne couvre pas la perte de données résultant des actions de l'utilisateur.

Ex-Protective case

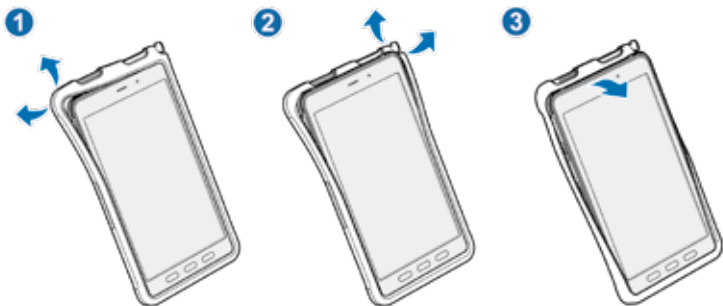
Installation de Ex-Protective case

Insérez la partie supérieure de l'appareil dans le boîtier, puis appuyez un à un sur les bords de la partie inférieure en utilisant les deux mains pour l'installer fermement.



Retrait de Ex-Protective case

Avec l'appareil en position verticale, poussez un à un les bords de la partie supérieure à l'aide des deux mains jusqu'à ce que l'appareil dépasse du boîtier et retirez l'appareil de celui-ci.



Installation du S Pen

Insérez le S Pen dans la partie supérieure de Ex-Protective case.



N'insérez pas le S Pen à l'envers dans Ex-Protective case.

Allumer et éteindre l'appareil



Suivez tous les avertissements et instructions affichés par le personnel autorisé dans les zones où l'utilisation d'appareils sans fil est restreinte, comme les avions et les hôpitaux.

Allumer l'appareil

Appuyez sur la touche latérale et maintenez-la enfoncée pendant quelques secondes pour allumer l'appareil.

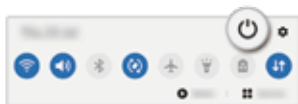
Lorsque vous allumez votre appareil pour la première fois ou après avoir effectué une réinitialisation des données, suivez les instructions à l'écran pour configurer votre appareil.

Éteindre l'appareil

1 Pour éteindre l'appareil, maintenez enfoncées la touche latérale et la touche de réduction du volume simultanément. Sinon, ouvrez le panneau de notification et pressez.



Touche de réduction du volume
Touche latérale



2 Pressez Éteindre.

Pour redémarrer l'appareil, pressez Redémarrer.



Vous pouvez configurer l'appareil pour qu'il s'éteigne lorsque vous maintenez enfoncée la touche latérale. Lancez **Paramètres**, tapez **Fonctionnalités avancées** → **Touche latérale**, puis pressez **Menu de mise hors tension** sous **Pressez et maintenez**.

Forcer le redémarrage

Si votre appareil est gelé et ne répond pas, maintenez enfoncées simultanément la touche latérale et la touche de réduction du volume pendant plus de 7 secondes pour le redémarrer.

Indice

1. Applicazione	73
2. Norme di sicurezza	73
3. Dichiarazione sull'esposizione alle radiazioni	73
4. Banda e modalità	74
5. Riparazione	74
6. Inserimento della scheda SIM/USIM (solo modello LTE/WWAN) e della scheda microSD	74
7. Ricarica del tablet	75
8. Precauzioni di sicurezza relative alla batteria	75
9. Pulizia, manutenzione e conservazione	76
10. Smaltimento	76
11. Garanzia e responsabilità	77
12. Layout e funzioni del dispositivo	77

Nota:

Le attuali Istruzioni per l'uso, le Istruzioni di sicurezza Ex, la Dichiarazione di conformità UE e il Certificato di Conformità possono essere scaricati dalla pagina relativa al prodotto del sito www.ecom-ex.com, oppure, in alternativa, possono essere richiesti direttamente al produttore.

1. Applicazione

Tab-Ex® 03 è un computer tablet intrinsecamente sicuro Zona 2 / Zona 22 impermeabile e resistente agli urti e alla polvere per applicazioni industriali in aree pericolose con atmosfere pregne di gas e polvere ai sensi della Direttiva ATEX 2014/34/UE e del sistema IECEx.

2. Norme di sicurezza

Queste istruzioni di sicurezza contengono informazioni e norme di sicurezza che devono essere osservate. La mancata osservanza di queste informazioni e di queste istruzioni può avere gravi conseguenze e può violare le normative. Leggere attentamente queste istruzioni di sicurezza prima di iniziare a utilizzare il dispositivo. In caso di informazioni contrastanti si applicano i dettagli specificati nelle istruzioni di sicurezza. In caso di dubbi (sotto forma di errori di traduzione o di stampa) ha valore la versione inglese.

3. Dichiarazione sull'esposizione alle radiazioni

Avvertenza: Questa apparecchiatura è conforme ai limiti di esposizione alle radiazioni a radiofrequenza (RF) della Commissione internazionale relativamente a protezione dalle radiazioni non ionizzanti (ICNIRP), IEEE C95.1, dell'Ufficio federale della Commissione per le comunicazioni del bollettino 65 di ingegneria e tecnologia (OET) e del Comitato europeo per la standardizzazione elettrotecnica (CENELEC) EN62311. L'ID FCC è stampato sull'etichetta del dispositivo.

Il coperchio Ex-Protective deve essere rimosso per trovare le informazioni.

3.1 Valori SAR per i paesi europei:

I valori SAR riportati di seguito sono solo per i dispositivi sviluppati per l'uso nei paesi europei. Il limite SAR è 2,0 W/kg.

SAR massimo per questo modello e condizioni in cui è stato registrato:

SAR indossato sul corpo: 1,390 W/kg

SAR testa: 1,091 W/kg

3.2 Valori SAR per gli U.S.A.:

I valori SAR riportati di seguito sono solo per i dispositivi sviluppati per l'uso negli Stati Uniti.

Il limite SAR è 1,6 W/kg.

SAR massimo per questo modello e condizioni in cui è stato registrato:

SAR indossato sul corpo: 1,390 W/kg

Trasmissione simultanea: 1,58 W/kg

4. Banda e modalità

Banda e modalità	Potenza in uscita
EGSM 850/900	33 dBm
DCS 1800/1900	30 dBm
WCDMA 900/2100	24 dBm
LTE 1/2/3/4/5/7/8/12/13/17/20/28/38/40/41/66	23 dBm
Wi-Fi 2,4 GHz	20 dBm
Bluetooth 2,4 GHz	20 dBm
Wi-Fi 5,1-5,7 GHz	23 dBm
Wi-Fi 5,8 GHz	25 mW
NFC 13,56 MHz	42 dBuA/m a 10 m

L'uso della banda WLAN è limitato al solo uso all'interno. Questa limitazione verrà applicata in tutti gli stati membri dell'UE.

5. Riparazione

Le riparazioni devono essere effettuate esclusivamente da ECOM Instruments GmbH o da personale o centri di assistenza autorizzati da ECOM Instruments GmbH, in quanto la sicurezza del dispositivo deve essere testata dopo l'esecuzione delle riparazioni. Il rapporto di riparazione effettivo può essere scaricato dall'area dedicata all'assistenza all'indirizzo www.ecom-ex.com.

6. Inserimento della scheda SIM/USIM (solo modello LTE/WWAN) e della scheda microSD

1. Rimuovere la custodia Ex-Protective Case dall'unità.
2. Estrarre delicatamente il vassoio dal relativo slot.
3. Porre la scheda SIM o USIM sul vassoio con i contatti dorati rivolti verso il basso.
4. Spingere delicatamente la scheda SIM o USIM nel vassoio per fissarla.
5. Rimettere la custodia Ex-Protective Case del dispositivo.

Vedere anche la Figura a Pagina 88

7. Ricarica del tablet

La ricarica del tablet è consentita solo al di fuori delle aree pericolose!

La batteria del tablet viene consegnata non completamente carica. Si consiglia di caricare la batteria del tablet per cinque ore prima di utilizzarlo per la prima volta. La piena capacità della batteria viene raggiunta dopo 3 - 4 cicli completi di ricarica/scarica.

Nota:

- Se il dispositivo viene esposto a una fiamma vi è rischio di esplosione.
- Utilizzare solo caricabatterie approvati da ECOM.

A causa della sicurezza EX, il coperchio della batteria è sigillato e può essere aperto solo dal personale di servizio ECOM. Allo stesso modo, la sostituzione della batteria può essere effettuata solo da questo personale.

8. Precauzioni di sicurezza relative alla batteria

I caricabatterie danneggiati devono essere rimossi dall'uso e inviati alla ECOM Instruments GmbH per un controllo.

Nota:

- Temperature estreme possono avere un effetto negativo sulla ricarica della batteria.
- Non smaltire il dispositivo bruciandolo.
- Smaltire il dispositivo in conformità con le normative locali e non con i normali rifiuti domestici.

In Tab-Ex® 03 viene utilizzata una batteria agli ioni di litio di alta qualità. Queste batterie presentano numerosi vantaggi nell'uso quotidiano, come un peso ridotto e un'elevata capacità in una struttura che tuttavia rimane compatta. Inoltre, queste batterie non mostrano praticamente alcun effetto memoria. Tuttavia, queste batterie sono soggette a un naturale processo di invecchiamento che ne compromette la funzionalità.

Le batterie odierne hanno una durata di circa 500 cicli di carica che, se utilizzate quotidianamente, corrispondono a una durata di circa due anni. Il processo di invecchiamento aumenta rapidamente dopo questo periodo, il che significa che le batterie sono considerate tecnicamente difettose dopo 500 cicli di carica. Inoltre, le celle della batteria potrebbero gonfiarsi e causare, nel peggiore dei casi, danni irreparabili al dispositivo. Per questo motivo le batterie ricaricabili con celle al litio devono essere sostituite dal personale di servizio ECOM, al più tardi dopo due anni o dopo aver raggiunto una capacità della batteria pari al 50% del suo valore iniziale.

Nota:

La batteria utilizzata in questa unità presenta un rischio di incendio e può causare lesioni da sostanze chimiche se utilizzata in modo improprio. Né la batteria né le celle della batteria devono essere aperte o smontate e non devono essere bruciate o esposte a temperature superiori a 60° C.

9. Pulizia, manutenzione e conservazione

- Utilizzare solo un panno o una spugna adatti per pulire tablet.
- Non utilizzare solventi o detersivi abrasivi durante la pulizia.
- Si consiglia di far controllare dal produttore la funzionalità e l'accuratezza del telefono ogni due anni.
- Non superare l'intervallo di temperatura di conservazione consentito da -20° C a +60° C.

10. Smaltimento



Gli apparecchi elettronici dismessi di ECOM Instruments GmbH verranno inviati a nostre spese per lo smaltimento e smaltiti gratuitamente secondo la direttiva europea 2012/19/UE. Vi preghiamo di seguire le disposizioni locali in materia di smaltimento di prodotti elettronici. I costi associati alla restituzione dei dispositivi a ECOM Instruments GmbH sono invece a carico del mittente.

I rifiuti di apparecchiature elettriche ed elettroniche esausti non devono essere smaltiti



come rifiuti normali o rifiuti domestici.

Smaltire le batterie in conformità alla direttiva europea 2006/66/CE.

Le batterie non devono essere smaltite con i rifiuti normali o domestici.

Lo smaltimento può essere fatto attraverso punti di raccolta appropriati nel vostro paese.

11. Garanzia e responsabilità

La garanzia di questo prodotto segue le Condizioni Generali di Consegna e Pagamento di ECOM Instruments GmbH, disponibili sul sito www.ecom-ex.com, oppure, in alternativa, possono essere richieste informazioni direttamente al produttore.

Questa garanzia può essere estesa tramite l'Accordo sul livello di servizio facoltativo.

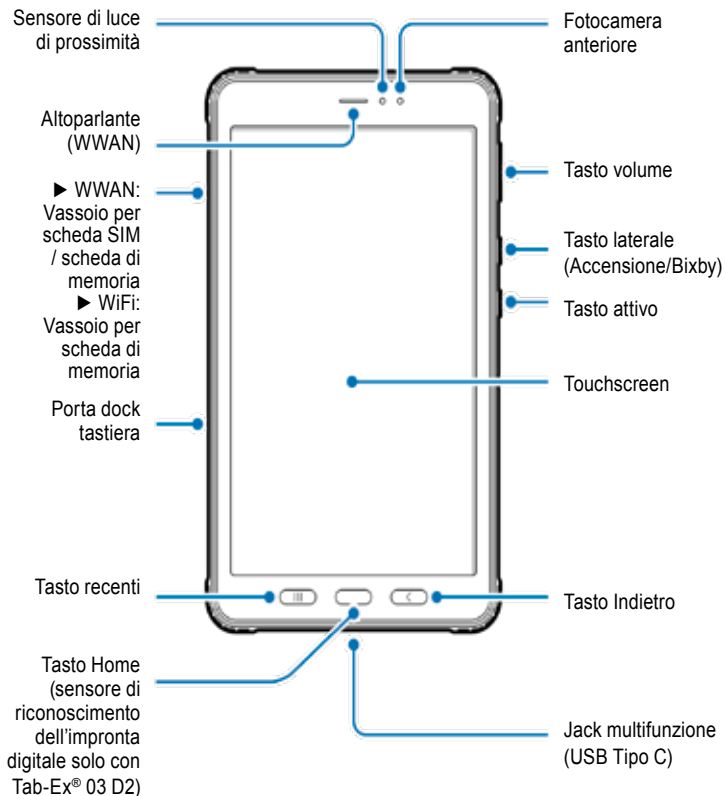
12. Layout e funzioni del dispositivo

Contenuto della confezione

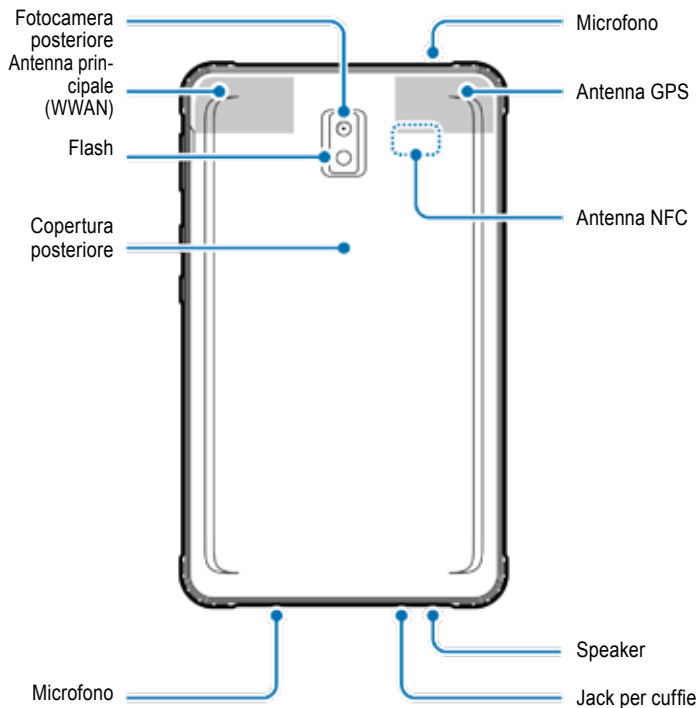
Fare riferimento alla guida rapida per il contenuto della confezione.

- Gli articoli forniti con il dispositivo ed eventuali accessori disponibili possono variare a seconda della regione o del fornitore di servizi.
- Gli articoli forniti sono progettati solo per questo dispositivo e potrebbero non essere compatibili con altri dispositivi.
- L'aspetto e le specifiche sono soggetti a modifiche senza preavviso.
- Viene fornita una custodia per proteggere il dispositivo. Se si desidera rimuovere la custodia attaccata al dispositivo, si raccomanda di staccarla dagli angoli superiori.

Layout del dispositivo (WWAN /WiFi)



Layout del dispositivo (WWAN / WiFi)



Il Tab-Ex® 03 è basato sul tablet Samsung SM-T57x.

Non apportiamo alcuna modifica al sistema operativo.

Riceverete quindi gli aggiornamenti software direttamente da Samsung (via OTA).

Potete ottenere le ultime informazioni sulla sicurezza su <https://security.samsungmobile.com/>

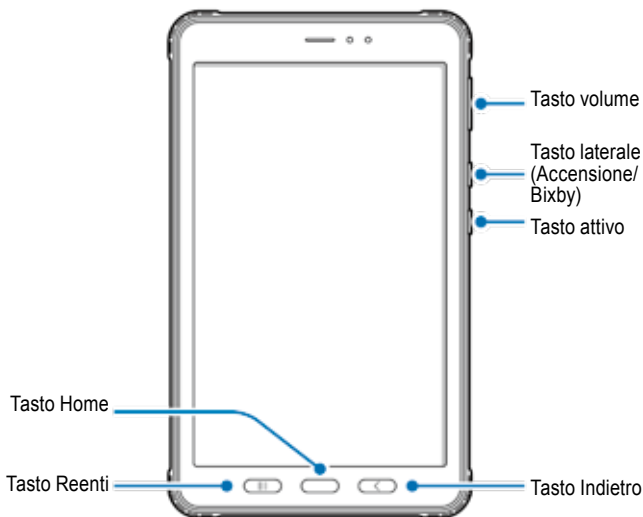


- Quando si utilizzano gli altoparlanti, ad esempio durante la riproduzione di file multimediali o l'utilizzo del vivavoce, non posizionare il dispositivo vicino alle orecchie.
- Prestare attenzione a non esporre l'obiettivo della fotocamera a una fonte di luce intensa come la luce solare diretta. Se l'obiettivo della fotocamera viene esposto a una fonte di luce intensa, come la luce solare diretta, il sensore di immagine della fotocamera potrebbe danneggiarsi. Un sensore di immagine danneggiato è irreparabile e causerà punti o macchie nelle immagini.
- Se si utilizza il dispositivo con il corpo in vetro o in acrilico rotto, potrebbe esserci il rischio di lesioni. Utilizzare il dispositivo solo dopo che è stato riparato presso un centro assistenza ECOM.
- Se polvere o materiali estranei entrano nel microfono, nell'altoparlante o nel ricevitore, l'audio del dispositivo potrebbe essere ridotto o alcune funzioni potrebbero non funzionare. Se si tenta di rimuovere la polvere o i materiali estranei con un oggetto appuntito, il dispositivo potrebbe essere danneggiato e il suo aspetto potrebbe rimanere compromesso.



- Problemi di connettività e esaurimento della batteria possono verificarsi nelle seguenti situazioni:
 - Se si applicano adesivi metallici sull'area dell'antenna del dispositivo.
 - Se si applica al dispositivo una cover realizzata con materiale metallico.
 - Se si copre l'area dell'antenna del dispositivo con le mani o con altri oggetti durante l'utilizzo di determinate funzioni, come le chiamate o la connessione dati mobile (WWAN).
- Si consiglia l'utilizzo di una protezione per lo schermo approvata da ECOM. Protezioni per lo schermo non approvate possono causare malfunzionamento dei sensori.
- Non coprire l'area del sensore di prossimità/luce con accessori per lo schermo, come una protezione per lo schermo, adesivi o una cover. Ciò potrebbe causare malfunzionamento del sensore.
- La luce potrebbe lampeggiare nella parte superiore del dispositivo durante le chiamate a causa del funzionamento del sensore di prossimità.

Tasti hardware



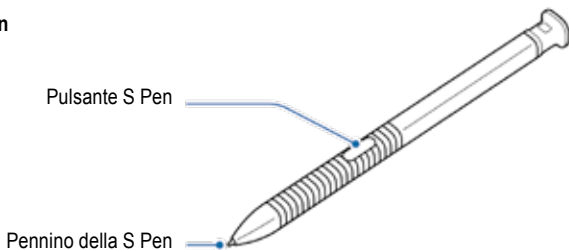
Tasto	Funzione
Tasto volume	<ul style="list-style-type: none">• Premere per regolare il volume del dispositivo.
Tasto laterale	<ul style="list-style-type: none">• Quando il dispositivo è spento, tenere premuto per accenderlo.• Premere per accendere o bloccare lo schermo.• Tenere premuto per avviare una conversazione con Bixby. Fare riferimento a Utilizzo di Bixby per ulteriori informazioni.• Premere due volte o tenere premuto per avviare l'app o la funzione che si è impostata.
Tasto laterale + Tasto volume giù	<ul style="list-style-type: none">• Premerli contemporaneamente per acquisire uno screenshot.• Tenerli premuti contemporaneamente per spegnere il dispositivo.
Tasto attivo	<ul style="list-style-type: none">• Premere o tenere premuto per avviare le app preimpostate.
Tasto Recenti	<ul style="list-style-type: none">• Premere per aprire l'elenco delle app recenti.
Tasto Home	<ul style="list-style-type: none">• Premere per accendere lo schermo mentre lo schermo è bloccato.• Premere per tornare alla schermata iniziale.• Tenere premuto per avviare l'app Assistente Google.
Tasto Indietro	<ul style="list-style-type: none">• Premere per tornare alla schermata precedente.

Impostazione del tasto laterale

Selezionare un'app o una funzione da lanciare premendo due volte o tenendo premuto il tasto laterale.

Lanciare l'app Impostazioni, toccare Funzionalità avanzate → tasto laterale, quindi selezionare l'opzione desiderata.

S Pen



Nome	Funzioni
Pennino della S Pen	<ul style="list-style-type: none">• Utilizzare la S Pen per scrivere, disegnare o eseguire azioni touch sullo schermo.• Passare la S Pen sugli elementi sullo schermo per accedere a funzioni aggiuntive della S Pen, come la funzione di visualizzazione aerea.
Pulsante S Pen	<ul style="list-style-type: none">• Passare la S Pen sullo schermo e premere il pulsante S Pen per visualizzare le funzioni di comando Aria.• Tenendo premuto il pulsante S Pen, trascinare la S Pen sugli elementi per selezionarli.

Sostituzione del pennino della S Pen

Se il pennino è smussato, sostituirlo con uno nuovo.

1 Tenere saldamente il pennino con le pinzette ed estrarlo.

2 Inserire un nuovo pennino nella S Pen.





Prestare attenzione a non pizzicarsi le dita con le pinzette.



- Non riutilizzare i vecchi pennini. Ciò potrebbe causare malfunzionamento della S Pen.
- Non premere eccessivamente il pennino quando lo si inserisce nella S Pen.
- Non inserire l'estremità arrotondata del pennino nella S Pen.
Ciò potrebbe causare danni alla S Pen o al dispositivo.
- Non piegare o applicare una pressione eccessiva con la S Pen quando la si usa.
La S Pen potrebbe essere danneggiata oppure si potrebbe deformare il pennino.
- Non esercitare una pressione eccessiva sullo schermo con la S Pen. Il pennino potrebbe essere deformato.



- Se si utilizza la S Pen formando angoli acuti con lo schermo, il dispositivo potrebbe non riconoscere le azioni della S Pen.
- Se la S Pen non funziona correttamente, portarla a un centro assistenza ECOM.

Batteria



Non piegare o torcere il coperchio dell'Ex-Battery.
Ciò potrebbe danneggiare il coperchio dell'Ex-Battery.

Ricarica della batteria

Caricare la batteria prima di utilizzarla per la prima volta o quando è rimasta inutilizzata per lunghi periodi.



Usare solo caricabatterie e cavi approvati da ECOM e progettati specificamente per questo dispositivo. Caricabatterie e cavo incompatibili possono causare gravi infortuni o danni al dispositivo.

Vedere MAS-0178 per un'ulteriore sicurezza nella ricarica delle batterie.

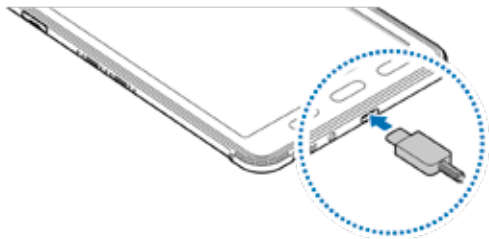


- Il collegamento improprio del caricabatterie può causare gravi danni al dispositivo. Eventuali danni causati da un uso improprio non sono coperti dalla garanzia.
- Utilizzare solo il cavo USB di tipo C fornito con il dispositivo.
Il dispositivo potrebbe danneggiarsi se si utilizza il cavo Micro USB.



Per risparmiare energia, scollegare il caricabatterie quando non è in uso. Il caricabatterie non dispone di un interruttore di alimentazione, quindi è necessario scollegarlo dalla presa elettrica quando non è in uso, per evitare sprechi di energia. Il caricabatterie deve rimanere vicino alla presa elettrica e facilmente accessibile durante la ricarica.

- 1 Collegare il cavo USB all'adattatore di alimentazione USB.
- 2 Collegare il cavo USB al jack multifunzione del dispositivo.



- 3 Collegare l'alimentatore USB a una presa elettrica.
- 4 Completata la ricarica, scollegare il caricabatterie dal dispositivo.
Quindi, scollegare il caricabatterie dalla presa elettrica.



Il coperchio della batteria o la batteria possono essere rimossi solo dal personale di servizio ECOM!
Ciò potrebbe danneggiare il dispositivo.

Riduzione del consumo della batteria

Il dispositivo dispone di varie opzioni che aiutano a risparmiare la carica della batteria.

- Ottimizzare il dispositivo utilizzando la funzione di cura del dispositivo.
- Quando non si utilizza il dispositivo, spegnere lo schermo premendo il tasto laterale.
- Attivare la modalità di risparmio energetico.
- Chiudere le app non necessarie.
- Disattivare la funzione Bluetooth quando non è in uso.
- Disattivare la sincronizzazione automatica delle app che devono essere sincronizzate.
- Ridurre il tempo di retroilluminazione.
- Ridurre la luminosità dello schermo.

Suggerimenti e precauzioni per la ricarica della batteria

- Quando la batteria è scarica, l'icona della batteria appare vuota.
- Se la batteria è completamente scarica, il dispositivo non può essere acceso immediatamente quando viene collegato il caricabatterie. Lasciare che la batteria scarica si carichi per alcuni minuti prima di accendere il dispositivo.
- Se si utilizzano più app contemporaneamente, app di rete o app che richiedono una connessione a un altro dispositivo, la batteria si scarica rapidamente. Per evitare di perdere energia durante un trasferimento dati, utilizzare sempre queste app dopo aver caricato completamente la batteria.
- L'utilizzo di una fonte di alimentazione diversa dal caricabatterie, come un computer, può comportare una velocità di ricarica più lenta a causa di una corrente elettrica inferiore.
- Il dispositivo può essere utilizzato mentre è in carica, ma potrebbe essere necessario più tempo per caricare completamente la batteria.
- Se il dispositivo riceve un'alimentazione instabile durante la ricarica, il touchscreen potrebbe non funzionare. In tal caso, scollegare il caricabatterie dal dispositivo.
- Durante la ricarica, il dispositivo e il caricabatterie potrebbero surriscaldarsi. Ciò è normale e non dovrebbe influire sulla durata o sulle prestazioni del dispositivo. Se la batteria diventa più calda del solito, il caricabatterie potrebbe smettere di caricare. Se ciò si verifica durante la ricarica wireless, scollegare il dispositivo dal caricabatterie per lasciarlo raffreddare, quindi ricaricare il dispositivo in un secondo momento.
- Se si carica il dispositivo mentre il jack multifunzione è bagnato, il dispositivo potrebbe danneggiarsi.
Asciugare bene il jack multiuso prima di caricare il dispositivo.
- Se il dispositivo non si carica correttamente, portare il dispositivo e il caricabatterie presso un centro assistenza ECOM.

Ricarica rapida

Il dispositivo dispone di una funzione di ricarica rapida integrata. Ciò consente di caricare la batteria più rapidamente mentre il dispositivo o il suo schermo sono spenti.

Aumento della velocità di ricarica

Per aumentare la velocità di ricarica, spegnere il dispositivo o il suo schermo quando si carica la batteria. Se la funzione di ricarica rapida non è attivata, avviare l'app Impostazioni, toccare Cura del dispositivo → Batteria → Carica, quindi toccare l'interruttore Ricarica rapida per attivarla.



- Durante la ricarica, non è possibile attivare o disattivare questa funzione.
- Non è possibile utilizzare la funzione di ricarica rapida integrata quando si carica la batteria utilizzando un caricabatterie standard.
- Se il dispositivo si surriscalda o la temperatura dell'aria dell'ambiente aumenta, la velocità di ricarica potrebbe diminuire automaticamente. Questa è una condizione operativa normale per evitare danni al dispositivo.

Scheda SIM o USIM (scheda nano-SIM) (WWAN)

Installazione della scheda SIM o USIM

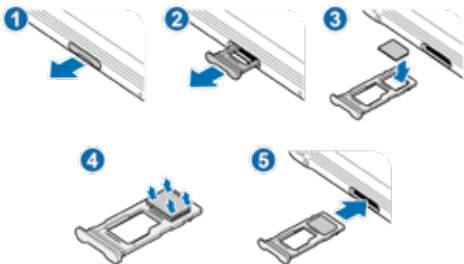
Inserire la scheda SIM o USIM fornita dal gestore di telefonia mobile.



- Utilizzare solo una scheda nano-SIM.
- Prestare attenzione a non perdere la scheda SIM o USIM o consentire ad altri di utilizzarla. ECOM non può essere ritenuta responsabile per eventuali danni o inconvenienti causati da schede smarrite o rubate.



Alcuni servizi che richiedono una connessione di rete potrebbero non essere disponibili a seconda del provider di servizi.



- 1 Estrarre delicatamente il vassoio dal relativo slot.
- 2 Porre la scheda SIM o USIM sul vassoio con i contatti dorati rivolti verso il basso.
- 3 Spingere delicatamente la scheda SIM o USIM nel vassoio per fissarla.



Se la scheda SIM non è fissata saldamente nel vassoio, potrebbe uscire o cadere dal vassoio.

- 4 Inserire delicatamente il vassoio nel relativo slot.



- Se si inserisce il vassoio nel dispositivo mentre è bagnato, il dispositivo potrebbe danneggiarsi. Assicurarsi sempre che il vassoio sia asciutto.
- Inserire completamente il vassoio nell'apposito slot per evitare che il liquido penetri nel dispositivo.

Scheda di memoria (scheda microSD) Installazione di una scheda di memoria

La capacità della scheda di memoria del dispositivo può variare rispetto ad altri modelli e alcune schede di memoria potrebbero non essere compatibili con il dispositivo a seconda del produttore e del tipo di scheda di memoria. Per visualizzare la capacità massima della scheda di memoria del dispositivo, fare riferimento al sito Web Samsung.



- Alcune schede di memoria potrebbero non essere completamente compatibili con il dispositivo.
L'utilizzo di una scheda incompatibile può danneggiare il dispositivo o la scheda di memoria o danneggiare i dati in essa memorizzati.
- Prestare attenzione e inserire la scheda di memoria con il lato destro rivolto verso l'alto.

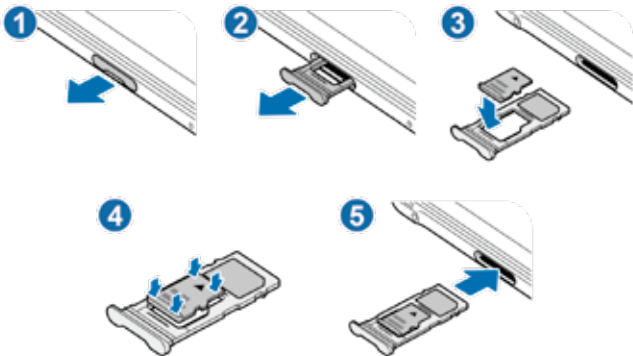


- Il dispositivo supporta i file system FAT ed exFAT per le schede di memoria.
Quando si inserisce una scheda formattata in un file system diverso, il dispositivo chiederà di riformattare la scheda oppure potrebbe non riconoscerla. Per utilizzare la scheda di memoria, è necessario formattarla.

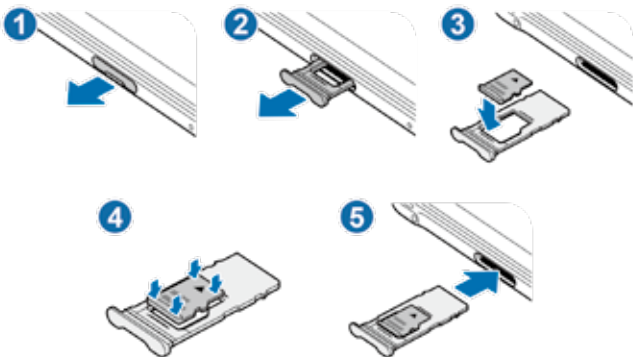
Se il dispositivo non è in grado di formattare o riconoscere la scheda di memoria, contattare il produttore della scheda di memoria o un centro assistenza ECOM.

- La scrittura e la cancellazione frequenti dei dati riducono la durata delle schede di memoria.
- Quando si inserisce una scheda di memoria nel dispositivo, la directory dei file della scheda di memoria viene visualizzata in **I miei file** → **Cartella scheda SD**.

► WWAN:



► WiFi:



1 Estrarre delicatamente il vassoio dal relativo slot.



Quando si rimuove il vassoio dal dispositivo, la connessione dati mobile viene disabilitata. (WWAN)

2 Porre una scheda di memoria sul vassoio con i contatti dorati rivolti verso il basso.

3 Spingere delicatamente la scheda di memoria nel vassoio per fissarla.



Se la scheda di memoria non è fissata saldamente nel vassoio, potrebbe uscire o cadere dal vassoio.

4 Inserire delicatamente il vassoio nel relativo slot.



- Se si inserisce il vassoio nel dispositivo mentre è bagnato, il dispositivo potrebbe danneggiarsi. Assicurarsi sempre che il vassoio sia asciutto.
- Inserire completamente il vassoio nell'apposito slot per evitare che il liquido penetri nel dispositivo.

Rimozione della scheda di memoria

Prima di rimuovere la scheda di memoria, smontarla per una rimozione sicura.

Lanciare l'app **Impostazioni** e toccare **Cura del dispositivo** → **Archiviazione** → **Avanzata** → **Scheda SD** → **Smontare**.



Non rimuovere il dispositivo di archiviazione esterno, come una scheda di memoria o un archivio USB, mentre il dispositivo sta trasferendo o accedendo alle informazioni o subito dopo il trasferimento dei dati. Ciò potrebbe causare il danneggiamento o la perdita dei dati o danneggiare la memoria esterna o il dispositivo. ECOM non può essere ritenuta responsabile per perdite, inclusa la perdita di dati, derivanti dall'uso improprio di dispositivi di archiviazione esterni.

Formattazione della scheda di memoria

Una scheda di memoria formattata in un computer potrebbe non essere compatibile con il dispositivo.

Formattare la scheda di memoria nel dispositivo.

Lanciare l'app **Impostazioni** e toccare **Cura del dispositivo** → **Archiviazione** → **Avanzata** → **Scheda SD** → **Formattazione**.

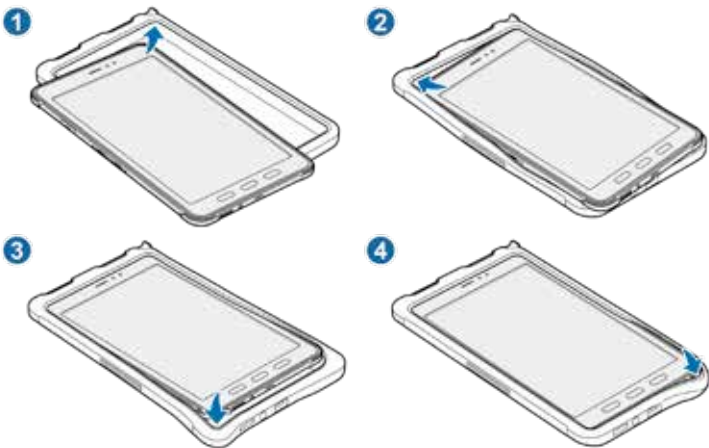


Prima di formattare la scheda di memoria, ricordarsi di eseguire copie di backup di tutti i dati importanti archiviati nella scheda di memoria. La garanzia del produttore non copre la perdita di dati derivante da azioni dell'utente.

Ex-Protective Case

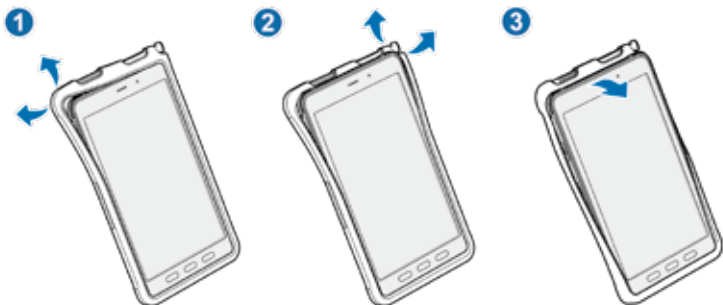
Installazione della Ex-Protective Case

Inserire la parte superiore del dispositivo nella custodia, quindi premere i bordi della parte inferiore uno per uno usando entrambe le mani per installarlo saldamente.



Rimozione della Ex-Protective Case

Con il dispositivo in posizione verticale, spingere uno ad uno i bordi della parte superiore utilizzando entrambe le mani fino a quando il dispositivo non fuoriesce dalla custodia ed estrarre il dispositivo da essa.



Installazione della S Pen

Inserire la S Pen nella parte superiore della Ex-Protective Case.



Non inserire la S Pen rivolta al contrario nella Ex-Protective Case.

Accensione e spegnimento del dispositivo



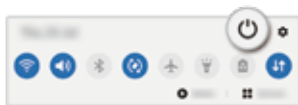
Rispettare tutte le avvertenze e le indicazioni pubblicate dal personale autorizzato nelle aree in cui l'uso di dispositivi wireless è limitato, come aerei e ospedali.

Accensione del dispositivo

Tenere premuto il tasto laterale per alcuni secondi per accendere il dispositivo. Quando si accende il dispositivo per la prima volta o dopo aver eseguito un ripristino dei dati, seguire le istruzioni sullo schermo per configurare il dispositivo.

Spegnimento del dispositivo

1 Per spegnere il dispositivo, tenere premuto il tasto laterale e il tasto Volume giù contemporaneamente. In alternativa, aprire il pannello delle notifiche e toccare.



2 Toccare Spegnimento.
Per riavviare il dispositivo, toccare Riavvia.



È possibile impostare lo spegnimento del dispositivo quando si tiene premuto il tasto laterale. Lanciare l'app **Impostazioni**, toccare **Funzionalità avanzate** → **Tasto laterale**, quindi toccare **Menu spegnimento** sotto **Premere e tenere premuto**.

Forzare il riavvio

Se il dispositivo è bloccato e non risponde, tenere premuti contemporaneamente il tasto laterale e il tasto Volume giù per più di 7 secondi per riavviarlo.

Contenido

1. Aplicación	96
2. Instrucciones de seguridad	96
3. Declaración de exposición a la radiación.....	96
4. Banda y modo	97
5. Reparaciones.....	97
6. Inserción de las tarjetas SIM/USIM (solo modelo LTE/WWAN) y microSD	97
7. Carga de la tableta	98
8. Precauciones de seguridad para la batería	98
9. Limpieza, mantenimiento y almacenamiento	99
10. Eliminación.....	99
11. Garantía y responsabilidad	100
12. Diseño y funciones del dispositivo.....	100

Nota:

Las instrucciones de funcionamiento, las instrucciones de seguridad contra explosiones, la declaración de conformidad de la UE y el certificado de conformidad vigentes se pueden descargar de la página del producto correspondiente en www.ecom-ex.com, o bien se pueden solicitar directamente al fabricante.

1. Aplicación

La Tab-Ex® 03 es una tableta intrínsecamente segura para Zona 2/22 resistente al agua, al polvo y a los impactos para aplicaciones industriales en áreas peligrosas con atmósferas gaseosas y polvorientas de acuerdo con la Directiva ATEX 2014/34/UE y el Sistema IECEx.

2. Instrucciones de seguridad

Estas instrucciones de seguridad contienen indicaciones y normas de seguridad que se deben respetar. El incumplimiento de estas indicaciones e instrucciones puede tener consecuencias graves e infringir la normativa. Lea atentamente estas instrucciones de seguridad antes de comenzar a utilizar el dispositivo. En caso de información contradictoria, se aplicarán los criterios especificados en las instrucciones de seguridad. En caso de duda (debido a errores de traducción o de imprenta) prevalecerá la versión en inglés.

3. Declaración de exposición a la radiación

Advertencia: Este equipo cumple con la Comisión Internacional para la Protección Contra las Radiación No Ionizante (ICNIRP, por sus siglas en inglés), la norma IEEE C95.1, el Boletín 65 de la Oficina de Ingeniería y Tecnología (OET, por sus siglas en inglés) de la Comisión Federal de Comunicaciones y los límites de exposición a la radiación de radiofrecuencia (RF) del Comité Europeo de Normalización Electrotécnica (CENELEC, por sus siglas en inglés) EN62311.

El ID de la FCC está impreso en la etiqueta del dispositivo.

Para encontrar la información hay que quitar la tapa de protección contra explosiones.

3.1 Valores de SAR para países europeos:

Los valores de SAR que se indican a continuación son sólo para dispositivos desarrollados para su uso en países europeos. El valor máximo de SAR es 2,0 W/kg.

SAR máximo para este modelo y condiciones bajo las cuales se registró:

SAR en el cuerpo: 1,390 W/kg

SAR en la cabeza: 1,091 W/kg

3.2 Valores de SAR para EE.UU.:

Los valores de SAR que se indican a continuación son sólo para dispositivos desarrollados para su uso en EE.UU.

El valor máximo de SAR es 1,6 W/kg.

SAR máximo para este modelo y condiciones bajo las cuales se registró:

SAR en el cuerpo: 1,390 W/kg

Transmisión simultánea: 1,58 W/kg

4. Banda y modo

Banda y modo	Potencia de salida
EGSM 850/900	33 dBm
DCS 1800/1900	30 dBm
WCDMA 900/2100	24 dBm
LTE 1/2/3/4/5/7/8/12/13/17/20/28/38/40/41/66	23 dBm
Wi-Fi 2,4 GHz	20 dBm
Bluetooth 2,4 GHz	20 dBm
Wi-Fi 5,1-5,7 GHz	23 dBm
Wi-Fi 5,8 GHz	25 mW
NFC 13,56 MHz	42 dBuA/ma 10 m

El uso de la banda WLAN está restringido al uso en interiores. Esta restricción se aplicará en todos los estados miembros de la UE.

5. Reparaciones

Las reparaciones deberán realizarlas únicamente ECOM Instruments GmbH o el personal o centros de servicio autorizados por ECOM Instruments GmbH, ya que la seguridad del dispositivo debe comprobarse después de las reparaciones. La hoja de informe de reparación se puede descargar en el área de servicio en www.ecom-ex.com.

6. Inserción de las tarjetas SIM/USIM (solo modelo LTE/WWAN) y microSD

1. Retire la Ex-Protective case del dispositivo.
2. Extraiga cuidadosamente la bandeja de la ranura de la bandeja.
3. Coloque la tarjeta SIM o USIM en la bandeja con los contactos dorados hacia abajo.
4. Presione suavemente la tarjeta SIM o USIM en la bandeja para fijarla.
5. Coloque la Ex-Protective case.

Véase la imagen de la página 111

7. Carga de la tableta

¡La carga de la tableta sólo está permitida fuera de las zonas peligrosas!

La batería de la tableta se suministra parcialmente cargada. Se recomienda cargar la batería de la tableta durante cinco horas antes de utilizarla por primera vez. La capacidad total de la batería se alcanza después de 3-4 ciclos completos de carga/descarga.

Nota:

- Existe riesgo de explosión si el dispositivo se expone a una llama.
- Utilice únicamente cargadores aprobados por ECOM.

Debido a la seguridad EX, la tapa de la batería está sellada y sólo puede ser abierta por el personal de servicio de ECOM. Asimismo, la sustitución de la batería sólo puede ser realizada por este personal.

8. Precauciones de seguridad para la batería

Los cargadores dañados deben ser retirados del uso y enviados a ECOM Instruments GmbH para su inspección.

Nota:

- Las temperaturas extremas pueden tener un efecto adverso en la carga de la batería.
- No arroje este dispositivo al fuego.
- Deseche el dispositivo de acuerdo con la normativa local y no con los residuos domésticos normales.

Su Tab-Ex® 03 utiliza una batería de iones de litio de alta calidad. Estas baterías tienen numerosas ventajas en el uso cotidiano, como un peso reducido y una gran capacidad en una construcción compacta. Además, estas baterías no presentan prácticamente ningún efecto de memoria. Sin embargo, estas baterías son susceptibles de sufrir un proceso de envejecimiento natural que perjudica su funcionalidad.

Las baterías actuales tienen una vida útil de unos 500 ciclos de carga, lo que, con un uso diario, corresponde a una vida útil de aproximadamente dos años. El proceso de envejecimiento aumenta rápidamente después de dicho período, lo que significa que las baterías se consideran técnicamente defectuosas después de 500 ciclos de carga. Además, en el peor de los casos, las celdas de la batería podrían expandirse y causar daños irreparables a su dispositivo. Por este motivo, las baterías recargables con células de litio deben ser sustituidas por el personal de servicio de ECOM, a más tardar después de dos años o cuando la capacidad de la batería alcance el 50% de su valor inicial.

Nota:

La batería utilizada en esta unidad conlleva un riesgo de incendio y si se usa incorrectamente puede causar lesiones químicas. Ni la batería ni las celdas de la misma deben abrirse ni desmontarse y no deben quemarse ni exponerse a temperaturas superiores a 60 °C.

9. Limpieza, mantenimiento y almacenamiento

- Utilice únicamente un paño o una esponja adecuados para limpiar la tableta.
- No utilice disolventes ni productos de limpieza abrasivos para la limpieza.
- Se recomienda que el fabricante inspeccione la funcionalidad y precisión de la tableta cada dos años.
- No exceda el rango de temperatura de almacenamiento permitido de -20 °C a +60 °C

10. Eliminación



Los aparatos eléctricos antiguos de ECOM Instruments GmbH se destinarán a la eliminación a nuestro cargo y se desecharán gratuitamente de acuerdo con la Directiva Europea 2012/19/UE. Respete las normativas locales acerca de la eliminación de productos electrónicos. Los costes derivados de la devolución de dispositivos a ECOM Instruments GmbH correrán a cuenta del remitente.

Los dispositivos eléctricos antiguos no deben ser eliminados junto a residuos domésticos o convencionales.



Elimine las baterías de acuerdo con la Directiva Europea 2006/66/CE.

Las pilas no deben eliminarse con la basura normal o doméstica. La eliminación puede realizarse a través de los puntos de recogida adecuados en su país.

11. Garantía y responsabilidad

La garantía de este producto se ajusta a las condiciones generales de entrega y pago de ECOM Instruments GmbH, que están disponibles en www.ecom-ex.com, o bien pueden solicitarse directamente al fabricante.

Esta garantía puede ampliarse mediante el Acuerdo de nivel de servicio opcional.

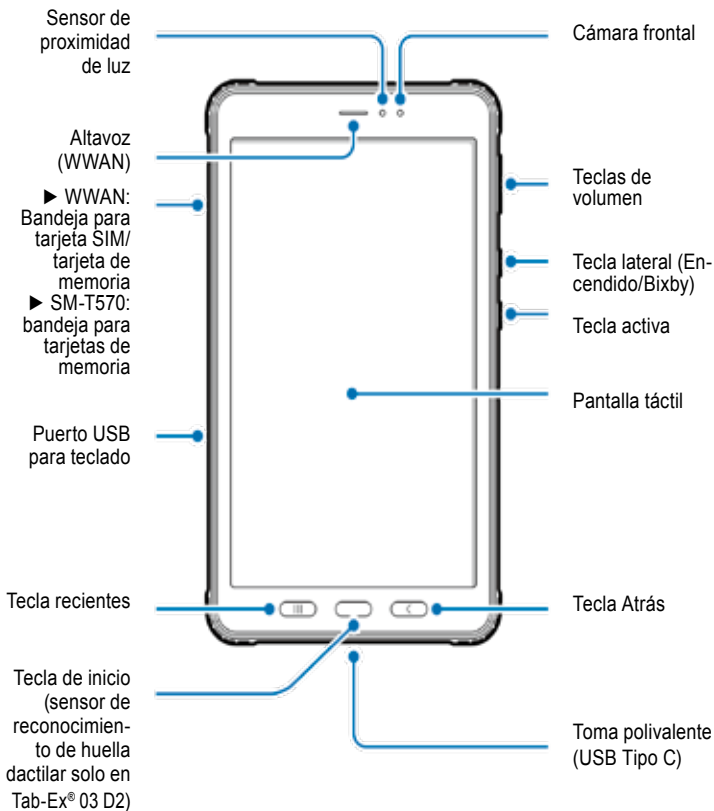
12. Diseño y funciones del dispositivo

Contenido del paquete

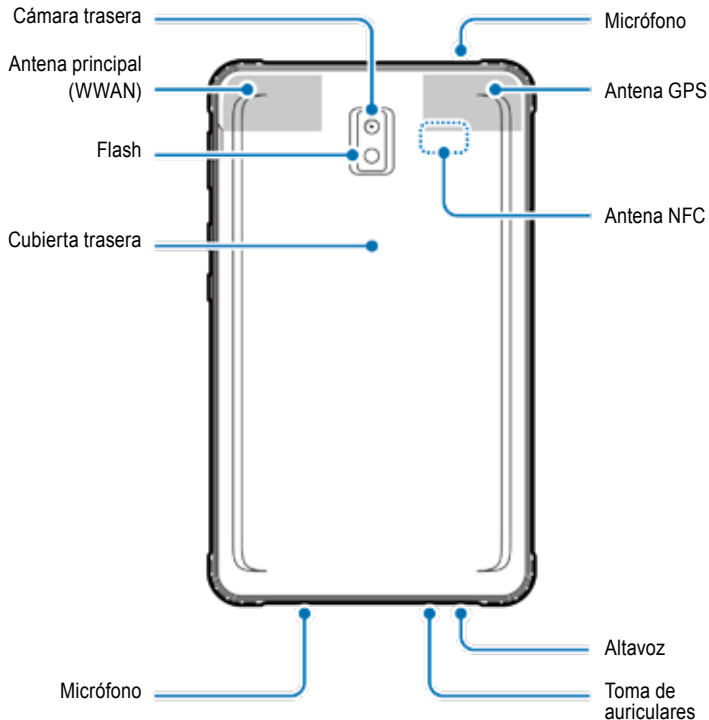
Consulte la Guía de inicio rápido para ver el contenido del paquete.

- Los elementos suministrados con el dispositivo y los accesorios disponibles pueden variar en función de la región o el proveedor del servicio.
- Los elementos suministrados están diseñados para su uso únicamente con este dispositivo y es posible que no sean compatibles con otros.
- La apariencia y las especificaciones están sujetas a cambios sin previo aviso.
- Se suministra una funda para proteger el dispositivo. Si desea retirar la funda adherida al dispositivo, se recomienda separarla de las esquinas superiores..

Diseño del dispositivo (WWAN / WiFi)



Diseño del dispositivo (WWAN / WiFi)



La Tab-Ex® 03 está basada en la tableta Samsung SM-T57x.

No hacemos ningún cambio en el sistema operativo. Por lo tanto, recibirá las actualizaciones de software directamente de Samsung (vía OTA). Puede obtener la información de seguridad más reciente en <https://security.samsungmobile.com/>

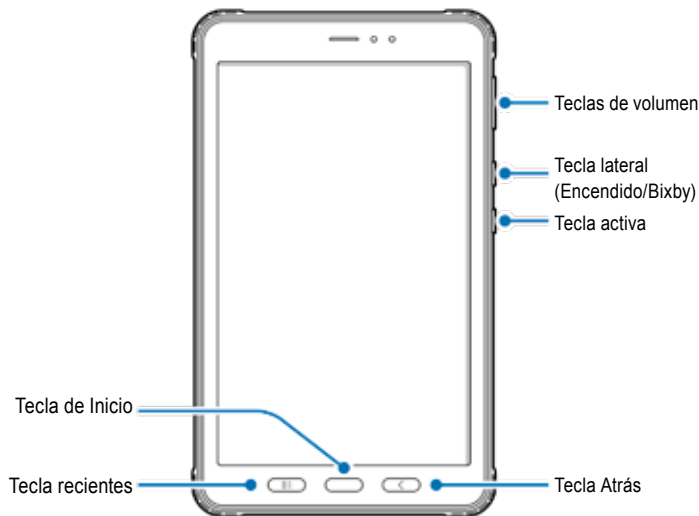


- Al utilizar los altavoces, por ejemplo al reproducir archivos multimedia, no coloque el dispositivo cerca de sus oídos.
- Procure no exponer el objetivo de la cámara a una fuente de luz intensa, como la luz solar directa. Si el objetivo de la cámara se expone a una fuente de luz intensa, como la luz solar directa, el sensor de imagen de la cámara se puede dañar. Un sensor de imagen dañado es irreparable y provocará puntos o manchas en las fotografías.
- Si utiliza el dispositivo con el cuerpo de cristal o acrílico roto, podría haber riesgo de lesiones. Utilice el dispositivo solo después de que haya sido reparado en un centro de servicio de ECOM.
- Si entra polvo o materiales extraños en el micrófono, el altavoz o el receptor, es posible que el sonido del dispositivo quede silenciado o que algunas funciones no funcionen. Si intenta quitar el polvo o los materiales extraños con un objeto afilado, el dispositivo se puede dañar y su aspecto se puede ver afectado.



- En las siguientes situaciones se pueden producir problemas de conectividad y agotamiento de la batería:
 - Si coloca pegatinas metálicas en el área de la antena del dispositivo
 - Si coloca una carcasa de material metálico al dispositivo
 - Si cubre el área de la antena del dispositivo con las manos u otros objetos mientras usa ciertas funciones, como las llamadas o la conexión de datos móviles (WWAN)
- Le recomendamos utilizar un protector de pantalla aprobado por ECOM. Los protectores de pantalla no aprobados pueden provocar un mal funcionamiento de los sensores.
- No cubra el área del sensor de proximidad/luz con accesorios de pantalla, como un protector de pantalla, pegatinas o una carcasa. Hacerlo puede provocar un mal funcionamiento del sensor.
- La luz puede parpadear en la parte superior del dispositivo durante las llamadas debido al funcionamiento del sensor de proximidad.

Teclas físicas



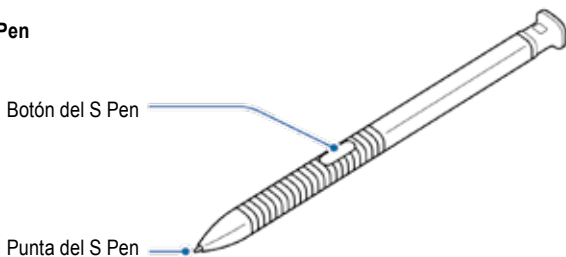
Tecla	Función
Teclas de volumen	<ul style="list-style-type: none"> • Pulse para ajustar el volumen del dispositivo.
Tecla lateral	<ul style="list-style-type: none"> • Cuando el dispositivo esté apagado, mantenga pulsada la tecla para encenderlo. • Pulse para encender o bloquear la pantalla. • Mantenga pulsada la tecla para iniciar una conversación con Bixby. Consulte la sección Cómo utilizar Bixby para obtener más información. • Pulse dos veces o mantenga pulsada la tecla para iniciar la aplicación o función que haya configurado.
Tecla lateral + Tecla para bajar el volumen	<ul style="list-style-type: none"> • Pulse simultáneamente para realizar una captura de pantalla. • Mantenga pulsada la tecla simultáneamente para apagar el dispositivo.
Tecla activa	<ul style="list-style-type: none"> • Pulsa o mantén pulsada la tecla para iniciar las aplicaciones preestablecidas.
Tecla recientes	<ul style="list-style-type: none"> • Pulse para abrir la lista de aplicaciones recientes.
Tecla de Inicio	<ul style="list-style-type: none"> • Pulse para encender la pantalla cuando esté bloqueada. • Pulse para volver a la pantalla de inicio. • Mantenga pulsada la tecla para iniciar la aplicación Google Assistant.
Tecla Atrás	<ul style="list-style-type: none"> • Pulse para volver a la pantalla anterior.

Ajustes de la tecla lateral

Seleccione una aplicación o función para iniciar pulsando la tecla lateral dos veces o manteniendo pulsada la tecla lateral.

Inicie la aplicación Ajustes, toque Funciones avanzadas → Tecla lateral y, a continuación, seleccione la opción que desee.

S Pen



Nombre	Funciones
Punta del S Pen	<ul style="list-style-type: none">• Utilice el S Pen para escribir, dibujar o realizar acciones táctiles en la pantalla.• Pase el S Pen por encima de elementos de la pantalla para acceder a funciones adicionales del S Pen, como la función Vista aérea.
Botón del S Pen	<ul style="list-style-type: none">• Pase el S Pen por encima de la pantalla y pulse el botón del S Pen para mostrar las funciones de Air command.• Mientras mantiene pulsado el botón del S Pen, arrastre el S Pen sobre los elementos para seleccionarlos.

Sustitución de la punta del S Pen

Si la punta está gastada, sustitúyala por una nueva.

- 1 Sujete firmemente la punta con las pinzas y extráigala.
- 2 Inserte una nueva punta en el S Pen.





Tenga cuidado de no pellizcarse los dedos con las pinzas.



- No reutilice las puntas gastadas. Hacerlo puede provocar un mal funcionamiento del S Pen.
- No presione excesivamente la punta al insertarla en el S Pen.
- No introduzca el extremo redondo de la punta en el S Pen. Hacerlo puede causar daños al S Pen o a su dispositivo.
- No doble el S Pen ni aplique una presión excesiva con el mientras lo utiliza. El S Pen se puede dañar o la punta se puede deformar.
- No presione con fuerza la pantalla con el S Pen. La punta del lápiz podría deformarse.



- Si usa el S Pen en ángulos agudos en la pantalla, es posible que el dispositivo no reconozca las acciones del S Pen.
- Si el S Pen no funciona correctamente, llévelo a un centro de servicio técnico de ECOM.

Batería



No doble ni retuerza la tapa de la batería Ex.
Si lo hace, puede dañar la cubierta de la batería Ex.

Carga de la batería

Cargue la batería antes de utilizarla por primera vez o cuando no la haya utilizado durante mucho tiempo.



Utilice únicamente cargadores y cables aprobados por ECOM y diseñados específicamente para su dispositivo. Un cargador y un cable incompatibles pueden causar lesiones graves o daños al dispositivo. Consulte el documento MAS-0178 para obtener información adicional sobre la seguridad de la carga de la batería.

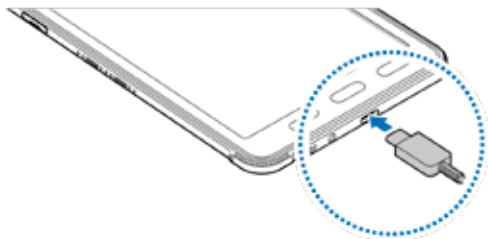


- La conexión incorrecta del cargador puede causar daños graves al dispositivo. Cualquier daño causado por un mal uso no está cubierto por la garantía.
- Utilice únicamente el cable USB Tipo C suministrado con el dispositivo. El dispositivo se puede dañar si se utiliza un cable Micro USB.



Para ahorrar energía, desenchufe el cargador cuando no esté en uso. El cargador no tiene interruptor de encendido, por lo que se debe desenchufar de la toma de corriente cuando no se utilice para no malgastar energía. El cargador debe permanecer cerca de la toma de corriente y ser fácilmente accesible durante la carga.

- 1 Conecte el cable USB al adaptador de corriente USB.
- 2 Enchufe el cable USB a la toma polivalente del dispositivo.



- 3 Enchufe el adaptador de corriente USB a una toma de corriente.
- 4 Después de la carga completa, desconecte el cargador del dispositivo. A continuación, desenchufe el cargador de la toma de corriente.



La tapa de la batería o la batería sólo pueden ser retiradas por el personal de servicio de ECOM. Esto puede dañar el dispositivo.

Reducción del consumo de batería

Su dispositivo ofrece varias opciones que le ayudan a economizar la energía de la batería.

- Optimice el dispositivo mediante la función cuidado del dispositivo.
- Cuando no esté utilizando el dispositivo, apague la pantalla pulsando la tecla lateral.
- Active el modo de ahorro de energía.
- Cierre las aplicaciones innecesarias.
- Desactive la función Bluetooth cuando no la esté utilizando.
- Desactive la sincronización automática de las aplicaciones que necesitan estar sincronizadas.
- Reduzca el tiempo de retroiluminación.
- Reduzca el brillo de la pantalla.

Consejos y precauciones para la carga de la batería

- Cuando la carga de la batería es baja, el icono de batería aparece vacío.
- Si la batería está completamente descargada, el dispositivo no se podrá encender inmediatamente cuando se conecte el cargador. Permita que la batería descargada se cargue durante unos minutos antes de encender el dispositivo.
- Si utiliza varias aplicaciones a la vez, aplicaciones de red o aplicaciones que necesitan una conexión con otro dispositivo, la batería se agotará rápidamente. Para evitar la reducción de energía durante una transferencia de datos, utilice siempre estas aplicaciones después de cargar completamente la batería.
- El uso de una fuente de alimentación distinta del cargador, como un ordenador, puede dar lugar a una velocidad de carga más lenta debido a una corriente eléctrica más baja.
- El dispositivo se puede utilizar mientras se está cargando, pero puede que la batería tarde más en cargarse por completo.
- Si el dispositivo recibe una alimentación inestable durante la carga, la pantalla táctil puede no funcionar. Si esto ocurre, desenchufe el cargador del dispositivo.
- Durante la carga, el dispositivo y el cargador se pueden calentar. Esto es normal y no debería afectar a la vida útil o al rendimiento del dispositivo. Si la batería se calienta más de lo normal, es posible que el cargador deje de cargar. Si esto ocurre durante la carga inalámbrica, desconecte el dispositivo del cargador para dejar que se enfríe y vuelva a cargarlo más tarde.
- Si carga el dispositivo con la toma polivalente húmeda, el dispositivo se puede dañar. Seque bien la toma polivalente antes de cargar el dispositivo.
- Si el dispositivo no se carga correctamente, lleve el dispositivo y el cargador a un centro de servicio técnico de ECOM.

Carga rápida

El dispositivo tiene una función de carga rápida integrada. Podrá cargar la batería más rápidamente cuando el dispositivo o su pantalla estén apagados.

Aceleración de la velocidad de carga

Para aumentar la velocidad de carga, apague el dispositivo o su pantalla cuando cargue la batería. Si la función de carga rápida no está activada, inicie la aplicación Ajustes, toque Cuidado del dispositivo → Batería → Carga y, a continuación, toque el interruptor de carga rápida para activarla.



- Esta función no se puede activar ni desactivar durante la carga.
- No se puede utilizar la función de carga rápida incorporada cuando se carga la batería con un cargador de batería estándar.
- Si el aparato se calienta o la temperatura del ambiente aumenta, la velocidad de carga puede disminuir automáticamente. Esta es una característica de funcionamiento habitual para evitar que se dañe el dispositivo.

Tarjeta SIM o USIM (tarjeta nano SIM) (WWAN)

Instalación de la tarjeta SIM o USIM

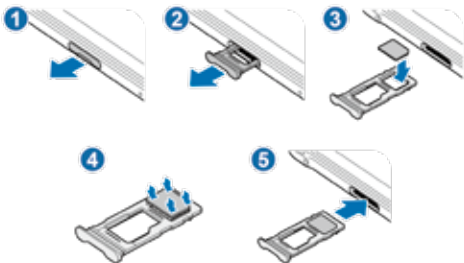
Inserte la tarjeta SIM o USIM proporcionada por el proveedor de servicios de telefonía móvil.



- Utilice únicamente una tarjeta nano SIM.
- Procure no perder ni dejar que otros utilicen las tarjetas SIM o USIM. ECOM no se hace responsable de los daños o inconvenientes causados por la pérdida o el robo de tarjetas.



Es posible que algunos servicios que requieren conexión a la red no estén disponibles en función del proveedor de servicios.



1 Extraiga la bandeja cuidadosamente de la ranura de la bandeja.

2 Coloque la tarjeta SIM o USIM en la bandeja con los contactos dorados hacia abajo.

3 Presione suavemente la tarjeta SIM o USIM en la bandeja para fijarla.



Si la tarjeta no está firmemente fijada en la bandeja, se puede salir o caer de la bandeja.

4 Vuelva a introducir la bandeja en la ranura de la bandeja.



- Si inserta la bandeja en su dispositivo estando ésta mojada, su dispositivo se podría dañar. Asegúrese siempre de que la bandeja esté seca.
- Inserte la bandeja por completo en la ranura de la bandeja para evitar que entre líquido en su dispositivo.

Tarjeta de memoria (tarjeta microSD) **Instalación de una tarjeta de memoria**

La capacidad de la tarjeta de memoria de su dispositivo puede variar con respecto a otros modelos y algunas tarjetas de memoria pueden no ser compatibles con su dispositivo dependiendo del fabricante y del tipo de tarjeta de memoria. Para ver la capacidad máxima de la tarjeta de memoria de su dispositivo, consulte el sitio web de Samsung.



- Puede que algunas tarjetas de memoria no sean totalmente compatibles con el dispositivo.
El uso de una tarjeta incompatible puede dañar el dispositivo o la tarjeta de memoria, o corromper los datos almacenados en ella.
- Asegúrese de insertar la tarjeta de memoria con el lado derecho hacia arriba.

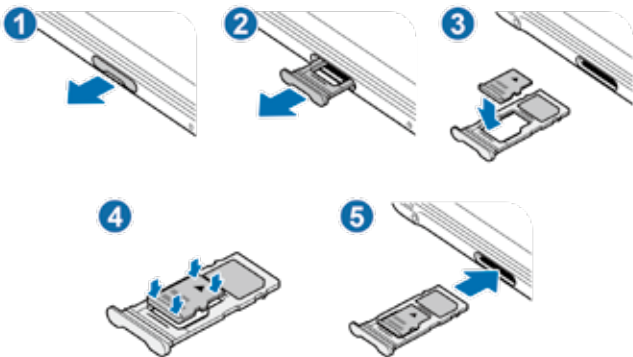


- El dispositivo es compatible con los sistemas de archivos FAT y exFAT para tarjetas de memoria.
Al insertar una tarjeta formateada en un sistema de archivos diferente, el dispositivo le pedirá que vuelva a formatear la tarjeta o no la reconocerá. Para utilizar una tarjeta de memoria, debe formatearla.
Si el dispositivo no puede formatear o reconocer la tarjeta de memoria, póngase en

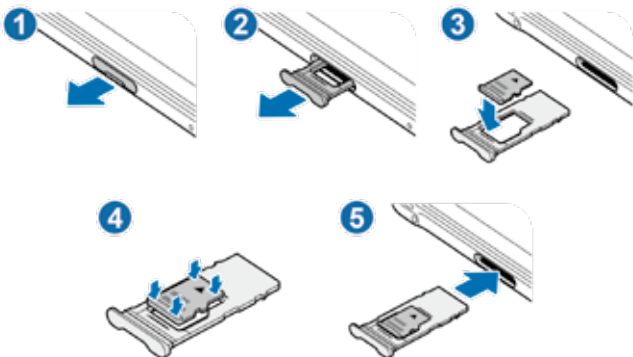
contacto con el fabricante de la tarjeta de memoria o con un centro de servicio técnico de ECOM.

- La escritura y el borrado frecuentes de datos acortan la vida útil de las tarjetas de memoria.
- Al insertar una tarjeta de memoria en el dispositivo, el directorio de archivos de la tarjeta de memoria aparece en la carpeta **Mis archivos** → **Tarjeta SD**.

► WWAN:



► WiFi:



1 Extraiga la bandeja cuidadosamente de la ranura de la bandeja.



Al retirar la bandeja del dispositivo, la conexión de datos móviles se inhabilitará. (WWAN)

2 Coloque una tarjeta de memoria en la bandeja con los contactos dorados hacia abajo.

3 Presione suavemente la tarjeta de memoria en la bandeja para fijarla.



Si la tarjeta de memoria no está firmemente fijada en la bandeja, se puede salir o caer de la bandeja.

4 Vuelva a introducir la bandeja en la ranura de la bandeja.



- Si inserta la bandeja en su dispositivo estando ésta mojada, su dispositivo se podría dañar. Asegúrese siempre de que la bandeja esté seca.
- Inserte la bandeja por completo en la ranura de la bandeja para evitar que entre líquido en su dispositivo.

Extracción de la tarjeta de memoria

Para poder extraer la tarjeta de memoria de manera segura, primero tendrá que desmontarla.

Inicie la aplicación **Ajustes** y toque **Cuidado del dispositivo** → **Almacenamiento** → **Avanzado** → **Tarjeta SD** → **Desmontar**.



No retire ningún medio de almacenamiento externo, como una tarjeta de memoria o un almacenamiento USB, mientras el dispositivo esté transfiriendo o accediendo a la información, o justo después de transferir los datos. Si lo hace, los datos se pueden corromper o perder, o se puede dañar el almacenamiento externo o el dispositivo. ECOM no se hará responsable de las pérdidas, incluida la pérdida de datos, derivadas del mal uso de los dispositivos de almacenamiento externos.

Formateo de la tarjeta de memoria

Es posible que una tarjeta de memoria formateada en un ordenador no sea compatible con el dispositivo.

Formatee la tarjeta de memoria en el dispositivo.

Inicie la aplicación **Ajustes** y toque **Cuidado del dispositivo** → **Almacenamiento** → **Avanzado** → **Tarjeta SD** → **Formatear**.

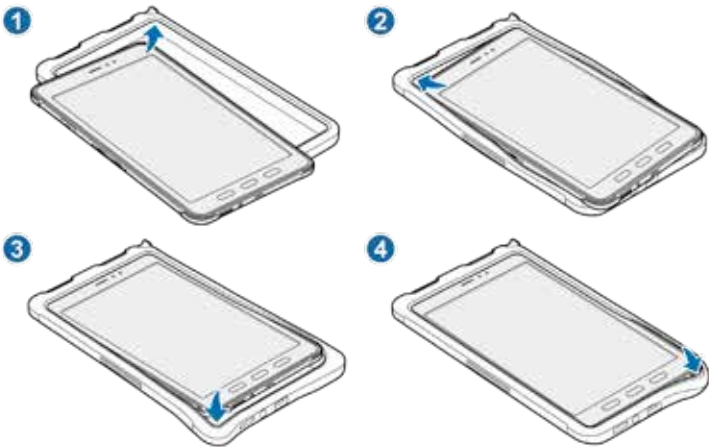


Antes de formatear la tarjeta de memoria, recuerda hacer copias de seguridad de todos los datos importantes almacenados en ella. La garantía del fabricante no cubre la pérdida de datos resultante de las acciones del usuario.

Ex-Protective Case

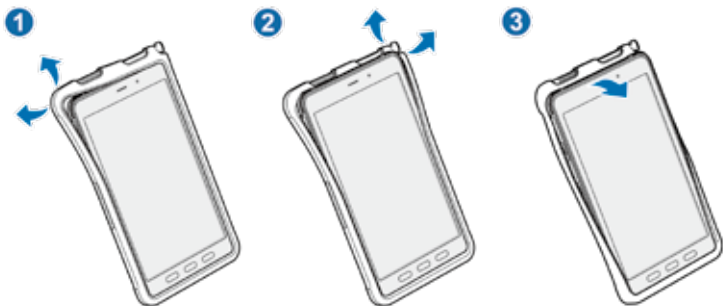
Instalación de la Ex-Protective Case

Introduzca la parte superior del dispositivo en la carcasa y, a continuación, presione firmemente uno a uno los bordes de la parte inferior con ambas manos para instalarla.



Extracción de la Ex-Protective Case

Con el dispositivo en posición vertical, empuje los bordes de la parte superior uno a uno utilizando ambas manos hasta que el dispositivo sobresalga de la carcasa y extraiga el dispositivo de la misma.



Instalación del S Pen

Introduzca el S Pen en la parte superior de la Ex-Protective Case.



No introduzca el S Pen al revés en la Ex-Protective Case.

Encendido y apagado del dispositivo



Siga todas las advertencias e indicaciones de personal autorizado en áreas donde el uso de dispositivos inalámbricos está restringido, como aviones y hospitales.

Encendido del dispositivo

Mantenga pulsada la tecla lateral durante unos segundos para encender el dispositivo. Al encender el dispositivo por primera vez o después de realizar un restablecimiento de datos, siga las instrucciones en pantalla para configurar el dispositivo.

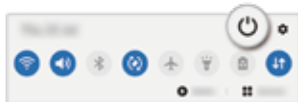
Apagado del dispositivo

1 Para apagar el dispositivo, mantenga pulsada la tecla lateral y la tecla de bajar el volumen simultáneamente. De forma alternativa, abra el panel de notificaciones para apagar el dispositivo.



Tecla para bajar el volumen

Tecla lateral



2 Toque Apagar.

Para reiniciar el dispositivo, toque Reiniciar.



Puede configurar el dispositivo para que se apague al mantener pulsada la tecla lateral. Inicie la aplicación **Ajustes**, toque **Funciones avanzadas** → **Tecla lateral** y, a continuación, toque **Menú apagar** debajo de **Mantener pulsado**.

Forzar reinicio

Si su dispositivo está bloqueado y no responde, mantenga pulsada la tecla lateral y la tecla de bajar el volumen simultáneamente durante más de 7 segundos para reiniciarlo.

Índice

1. Aplicação	119
2. Precauções de segurança	119
3. Declaração sobre exposição a radiação	119
4. Banda e modo	120
5. Reparação	120
6. Inserir o cartão SIM/USIM (apenas no modelo LTE/WWAN) e o cartão microSD ...	120
7. Carregar o tablet	121
8. Precauções de segurança sobre a bateria	121
9. Limpeza, manutenção e armazenamento	122
10. Eliminação	122
11. Garantia e responsabilidade	123
12. Esquema e funções do dispositivo	123

Nota:

As instruções de utilização, instruções Ex-Safety, declaração de conformidade da União Europeia e o certificado de conformidade podem ser transferidos na página específica do produto em www.ecom-ex.com. Pode também solicitá-los diretamente ao fabricante.

1. Aplicação

O Tab-Ex® 03 é um tablet de zona 2/zona 22, de segurança intrínseca, resistente ao pó e a impactos para aplicações industriais em áreas perigosas com atmosferas gasosas e de poeira, de acordo com a Diretiva ATEX 2014/34/UE e o sistema IECEx.

2. Precauções de segurança

Estas instruções de segurança incluem informações e regulamentos de segurança que têm de ser respeitados. O não cumprimento destas informações e instruções pode ter consequências graves e violar regulamentos. Leia estas instruções de segurança com atenção antes de começar a utilizar o dispositivo. Na eventualidade de quaisquer informações contraditórias, prevalecem os detalhes especificados nas instruções de segurança. Em caso de dúvida (relacionada com tradução ou erros de impressão), deve consultar a versão em inglês.

3. Declaração sobre exposição a radiação

Aviso: este equipamento está em conformidade com a Comissão Internacional para a Proteção contra as Radiações Não Ionizantes (ICNIRP), IEEE C95.1, Boletim 65 do Departamento da Comissão Federal de Comunicações de Engenharia e Tecnologia (OET) e os limites especificados pelo Comité Europeu de Normalização Eletrotécnica (CENELEC) EN62311 em termos de exposição a radiofrequência (RF).

A identificação da FCC está impressa na etiqueta do dispositivo.

A tampa do Ex-Protective tem de ser removida para encontrar a informação.

3.1 Valores de SAR para países europeus:

Os valores de SAR indicados abaixo dizem respeito apenas aos dispositivos criados para utilização em países europeus. O limite de SAR é de 2,0 W/kg.

Limite máximo de SAR para este modelo e as condições em que foi registado:

SAR acumulado no corpo: 1,390 W/kg

SAR acumulado na cabeça: 1,091 W/kg

3.2 Valores de SAR para os E.U.A.:

Os valores de SAR indicados abaixo dizem respeito apenas aos dispositivos criados para utilização nos E.U.A.

O limite de SAR é de 1,6 W/kg.

Limite máximo de SAR para este modelo e as condições em que foi registado:

SAR utilizado no corpo: 1,390 W/kg

Transmissão simultânea: 1,58 W/kg

4. Banda e modo

Banda e modo	Potência de saída
EGSM 850/900	33 dBm
DCS 1800/1900	30 dBm
WCDMA 900/2100	24 dBm
LTE 1/2/3/4/5/7/8/12/13/17/20/28/38/40/41/66	23 dBm
Wi-Fi: 2,4 GHz	20 dBm
Bluetooth: 2,4 GHz	20 dBm
Wi-Fi: 5,1 a 5,7 GHz	23 dBm
Wi-Fi: 5,8 GHz	25 mW
NFC, 13,56 MHz	42 dBuA/m a 10 m

A utilização da banda WLAN está restringida apenas a utilização em interiores. Esta restrição aplica-se a todos os estados-membros da UE.

5. Reparação

As reparações devem ser efetuadas pela ECOM Instruments GmbH ou por técnicos ou centros de assistência autorizados apenas pela ECOM Instruments GmbH. Para garantir a segurança do dispositivo, é necessário proceder a um teste depois das reparações serem implementadas. A ficha de relatório pode ser transferida na área de assistência em www.ecom-ex.com.

6. Inserir o cartão SIM/USIM (apenas no modelo LTE/WWAN) e o cartão microSD

1. Retirar a Ex-Protective Case do dispositivo.
2. Retire com cuidado o tabuleiro da respetiva ranhura.
3. Insira o cartão SIM ou USIM no tabuleiro com os contactos dourados virados para baixo.
4. Insira com cuidado o cartão SIM ou USIM no tabuleiro para encaixá-lo.
5. Insira a Ex-Protective Case.

Consulte também a imagem na página 134

7. Carregar o tablet

Só é possível carregar o tablet fora de áreas perigosas!

Quando o tablet é fornecido, a bateria não está totalmente carregada. Antes de utilizar o tablet pela primeira vez, é recomendável carregar a bateria durante cinco horas. A capacidade total da bateria é atingida após 3 ou 4 ciclos de carga/descarga completos.

Nota:

- Há risco de explosão se o dispositivo for exposto a chamadas.
- Utilize apenas carregadores aprovados pela ECOM.

Devido à segurança EX relevante, a tampa da bateria é selada e só pode ser aberta pelo pessoal do serviço ECOM. Da mesma forma, a substituição da bateria só pode ser efectuada por este pessoal.

8. Precauções de segurança sobre a bateria

Os carregadores danificados devem ser retirados de uso e enviados para a ECOM Instruments GmbH para inspecção.

Nota:

- As temperaturas extremas podem afetar o carregamento da bateria.
- Não coloque o dispositivo no fogo.
- Elimine o dispositivo de acordo com os regulamentos locais e não o coloque junto de resíduos domésticos comuns.

O Tab-Ex® 03 é fornecido com uma bateria de íões de lítio de elevada qualidade. Estas baterias têm várias vantagens em termos de utilização diária, como, por exemplo, peso reduzido e elevada capacidade num tamanho compacto. Além disso, estas baterias apresentam um efeito de memória residual. No entanto, estas baterias estão sujeitas a um processo de deterioração natural que afeta o funcionamento.

As baterias modernas têm uma durabilidade de cerca de 500 ciclo de carga, o que significa que, se forem utilizadas todos os dias, corresponde a uma vida útil de cerca de dois anos. O processo de deterioração aumenta rapidamente após este período, o que significa que as baterias são consideradas defeituosas em termos técnicos após 500 ciclos de carga. Além disso, as células das baterias expandem-se e, na pior das hipóteses, causam danos irreparáveis no dispositivo. Por este motivo, as baterias recarregáveis com células de lítio devem ser substituídas pelo pessoal de serviço da ECOM, o mais tardar após dois anos ou após atingir uma capacidade de bateria que seja 50% do seu valor inicial.

Nota:

A bateria utilizada nesta unidade pode causar um incêndio e ferimentos químicos se não for utilizada corretamente. A bateria ou as células da bateria não devem ser abertas ou desmontadas e não devem ser queimadas ou expostas a temperaturas superiores a 60 °C.

9. Limpeza, manutenção e armazenamento

- Utilize apenas um pano ou uma esponja adequada para limpar o tablet.
- Durante a limpeza, não utilize solventes ou produtos de limpeza abrasivos.
- A funcionalidade e o rigor do telemóvel deve ser inspecionado pelo fabricante a cada dois anos.
- Não exceda o intervalo de temperatura de armazenamento admissível entre -20 °C e +60 °C

10. Eliminação



Os aparelhos elétricos usados da ECOM Instruments GmbH serão enviados para eliminação por nossa conta e eliminados gratuitamente de acordo com a diretiva europeia 2012/19/UE. Cumpra as normas locais para eliminação de produtos eletrónicos. Os custos relacionados com a devolução de aparelhos à ECOM Instruments GmbH deverão ser suportados pelo remetente.

Os aparelhos usados não devem ser eliminados em conjunto com o lixo normal ou doméstico.



Eliminar as pilhas em conformidade com a Directiva Europeia 2006/66/CE. As pilhas não devem ser eliminadas com lixo normal ou doméstico.

A eliminação pode ser feita através de pontos de recolha apropriados no seu país.

11. Garantia e responsabilidade

A garantia deste produto está de acordo com as Condições gerais de entrega e pagamento da ECOM Instruments GmbH, que estão disponíveis em www.ecom-ex.com. Pode também solicitá-la diretamente ao fabricante.

Esta garantia pode ser prolongada através do Acordo de níveis de serviço opcional.

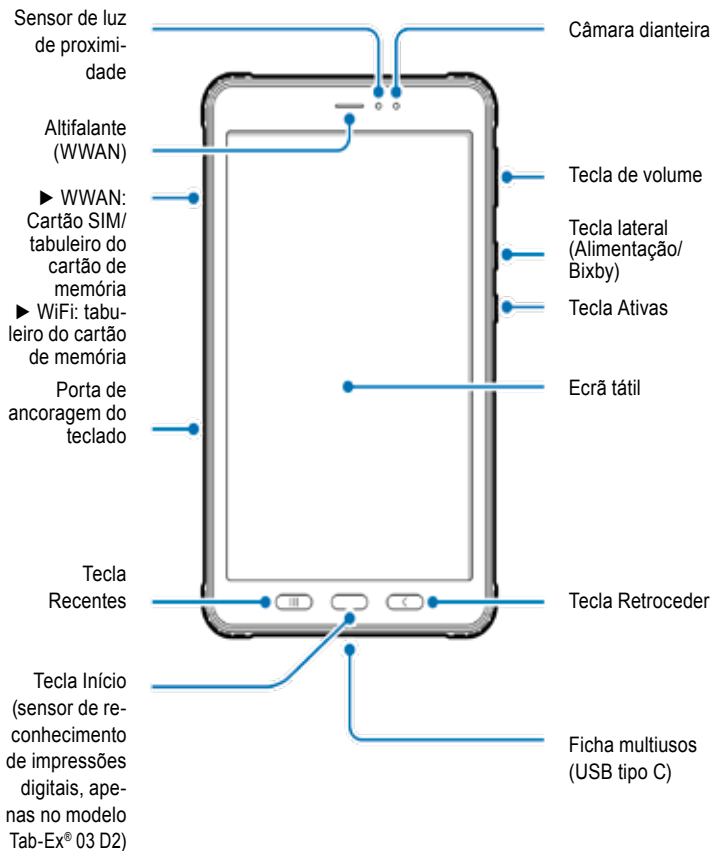
12. Esquema e funções do dispositivo

Conteúdo da embalagem

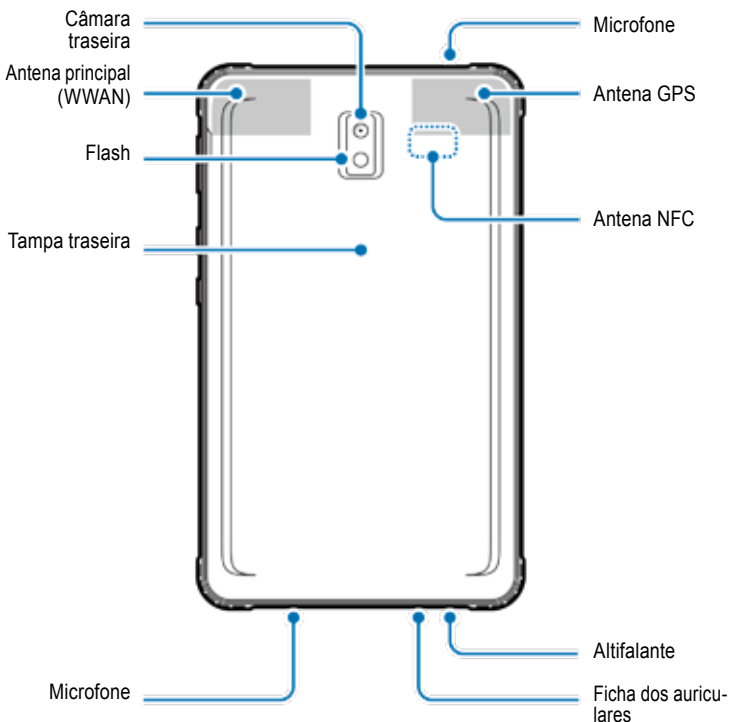
Consultar o guia de início rápido para o conteúdo da embalagem.

- Os artigos fornecidos com o dispositivo e quaisquer acessórios disponíveis podem variar dependendo da região ou do prestador de serviços.
- Os artigos fornecidos são concebidos apenas para este dispositivo e podem não ser compatíveis com outros dispositivos.
- As aparências e especificações estão sujeitas a alterações sem aviso prévio.
- É fornecido um estojo para proteger o seu dispositivo. Se desejar retirar a mala anexa para o dispositivo, recomenda-se que o retire dos cantos superiores.

Esquema do dispositivo (WWAN)



Esquema do dispositivo (WWAN / WiFi)



O Tab-Ex® 03 é baseado no tablet SM-T57x da Samsung.

Não fazemos quaisquer alterações ao sistema operativo. Por conseguinte, receberá actualizações de software directamente da Samsung (via OTA). Pode obter as últimas informações de segurança em <https://security.samsungmobile.com/>

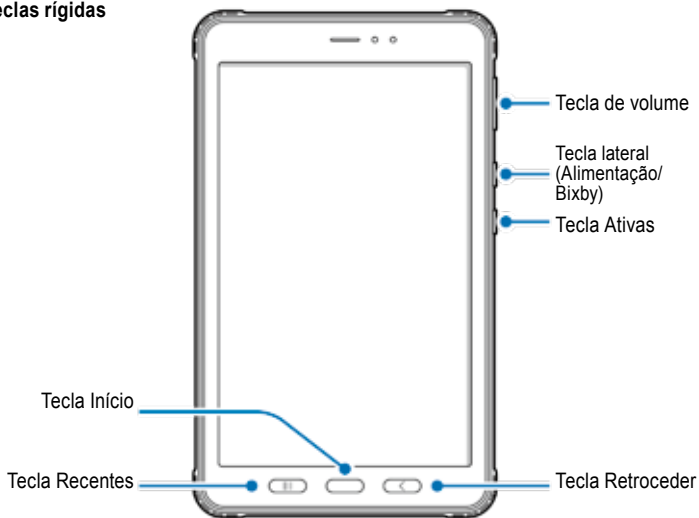


- Quando utilizar os altifalantes, por exemplo, quando reproduzir ficheiros multimédia ou utilizar o sistema de alta-voz, não aproxime o dispositivo das orelhas.
- Tenha cuidado para não expor a lente da câmara a uma fonte de luz direta, por exemplo, luz solar direta. Se a lente da câmara for exposta a uma fonte de luz intensa, como, por exemplo, luz solar direta, o sensor de imagem da câmara pode ficar danificado. Um sensor de imagem danificado não pode ser reparado e a imagem pode ficar com manchas ou pontos.
- Se utilizar o dispositivo com o vidro ou o corpo de acrílico partido, pode haver o risco de ferimentos. Utilize o dispositivo apenas depois de ter sido reparado num centro de assistência da ECOM.
- Se entrar pó ou materiais estranhos no microfone, altifalante ou no recetor, o dispositivo pode ficar sem som ou algumas funcionalidades podem não funcionar. Se tentar retirar o pó ou os materiais estranhos com um objeto afiado, o dispositivo pode ficar danificado e o aspeto pode ser afetado.



- Podem ocorrer problemas de conectividade e a carga da bateria pode ficar esgotada nas seguintes situações:
 - Se fixar autocolantes metálicos na antena do dispositivo.
 - Se colocar uma tampa feita de material metálico no dispositivo.
 - Se tapar a antena do dispositivo com as mãos ou outros objetos enquanto utiliza algumas funcionalidades, por exemplo, chamadas ou ligação aos dados móveis (WWAN).
- É recomendável utilizar uma proteção de ecrã aprovada pela ECOM. As proteções de ecrã não aprovadas podem causar uma avaria nos sensores.
- Não tape a área de proximidade/sensor de luz com acessórios para o ecrã, como proteção de ecrã, autocolantes ou uma tampa. Se o fizer, o sensor pode ficar avariado.
- A luz pode ficar intermitente na parte superior do dispositivo durante as chamadas devido ao funcionamento do sensor de proximidade.

Teclas rígidas



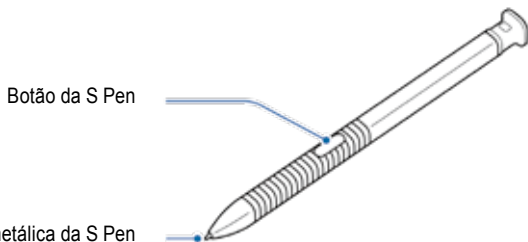
Tecla	Função
Tecla de volume	<ul style="list-style-type: none">• Prima para ajustar o volume do dispositivo.
Tecla lateral	<ul style="list-style-type: none">• Quando o dispositivo estiver desligado, prima e mantenha premido o botão para ligá-lo.• Prima para ligar ou desbloquear o ecrã.• Prima e mantenha premido para iniciar uma conversa com a Bixby. Consulte Utilizar a Bixby para obter mais informações.• Prima duas vezes ou prima e mantenha premido para iniciar a aplicação ou funcionalidade que definiu.
Tecla lateral + Botão para diminuir o volume	<ul style="list-style-type: none">• Prima em simultâneo para fazer uma captura de ecrã.• Prima e mantenha premido em simultâneo para desligar o dispositivo.
Tecla Ativar	<ul style="list-style-type: none">• Prima ou mantenha premido para iniciar as aplicações predefinidas.
Tecla Recentes	<ul style="list-style-type: none">• Prima para abrir a lista de aplicações recentes.
Tecla Início	<ul style="list-style-type: none">• Prima para ligar o ecrã quando este estiver bloqueado.• Prima para regressar para o ecrã Início.• Prima e mantenha premido para iniciar a aplicação Assistente Google.
Tecla Retroceder	<ul style="list-style-type: none">• Prima para regressar para o ecrã anterior.

Definir a tecla lateral

Selecione a aplicação ou funcionalidade que pretende iniciar premindo a tecla lateral duas vezes ou premindo e mantendo premida a tecla lateral.

Inicie a aplicação Definições, toque em Funcionalidades avançadas → tecla lateral e, em seguida, selecione a opção pretendida.

S Pen



Nome	Funções
Ponta metálica da S Pen	<ul style="list-style-type: none">• Utilize a S Pen para escrever, desenhar ou efetuar ações de toque no ecrã.• Paire com a S Pen sobre os itens no ecrã para aceder às funções adicionais da S Pen, como, por exemplo, a funcionalidade Vista aérea.
Botão da S Pen	<ul style="list-style-type: none">• Paire com a S Pen sobre o ecrã e prima no botão da S Pen para ter acesso às funcionalidades de comando Air.• Enquanto prime e mantém premido o botão da S Pen, arraste a S Pen sobre os itens para seleccioná-los.

Substituir a ponta metálica da S Pen

Se a ponta metálica estiver achatada, substitua-a por uma nova.

- 1 Segure com firmeza na ponta metálica com pinças e retire-a.
- 2 Insira uma nova ponta metálica na S Pen.





Tenha cuidado para não magoar os dedos com as pinças.



- Não reutilize pontas metálicas gastas. Se o fizer, a S Pen pode ficar avariada.
- Não pressione demasiado a ponta metálica quando inserir a ponta metálica na S Pen.
- Não insira a extremidade arredondada da ponta metálica na S Pen.
Se o fizer, pode causar danos na S Pen ou no dispositivo.
- Quando utilizar a S Pen, não dobre-a ou aplique demasiada pressão.
A S Pen pode ficar danificada ou a ponta metálica pode ficar danificada.
- Não exerça demasiada pressão com a S Pen no ecrã. A ponta metálica da pen pode ficar deformada.



- Se utilizar a S Pen nos ângulos afiados do ecrã, o dispositivo pode não reconhecer as ações da S Pen.
- Se a S Pen não estiver a funcionar corretamente, leve-a para um centro de assistência da ECOM.

Bateria



Não dobrar ou torcer a tampa da Ex-Battery.

Se o fizer pode danificar a cobertura da Ex-Battery.

Carregar a bateria

Carregue a bateria antes de utilizá-la pela primeira ou se não utilizá-la durante períodos prolongados.



Utilize apenas a carregador e cabo aprovados pela ECOM, bem como o cabo concebido especificamente para o seu dispositivo. Um carregador e cabo incompatíveis podem causar ferimentos graves ou danos no dispositivo.

Ver MAS-0178 para segurança adicional de carregamento da bateria.

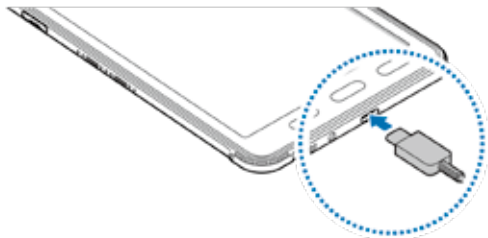


- Se ligar o carregador incorretamente, isso pode causar danos graves no dispositivo. Quaisquer danos causados por uso indevido não são abrangidos pela garantia.
- Utilize apenas o cabo USB tipo C fornecido com o dispositivo. O dispositivo pode ficar danificado se utilizar o cabo Micro USB.



Para poupar energia, desligue o carregador quando não estiver a ser utilizado. O carregador não tem um interruptor de alimentação, por isso deve desligar o carregador da tomada elétrica quando não estiver a utilizar o carregador, assim evita o desperdício de energia. O carregador deve ficar perto da tomada elétrica e num local de fácil acesso durante a fase de carregamento.

- 1 Ligue o cabo USB ao transformador USB.
- 2 Ligue o cabo USB à ficha multiusos do dispositivo.



- 3 Ligue o transformador USB a uma tomada elétrica.
- 4 Depois do dispositivo carregar por completo, desligue o carregador do dispositivo. Em seguida, desligue o carregador da tomada elétrica.



A tampa da bateria ou a bateria só pode ser removida pelo pessoal do serviço ECOM! Isto pode danificar o dispositivo.

Reduzir o consumo de energia da bateria

O dispositivo está equipado com várias opções para ajudar a poupar a energia da bateria.

- Otimize o dispositivo com a funcionalidade de cuidados do dispositivo.
- Quando não estiver a utilizar o dispositivo, desligue o ecrã com a tecla lateral.
- Ative o modo de poupança de energia.
- Feche as aplicações desnecessárias.
- Desative a funcionalidade Bluetooth quando não estiver a utilizá-la.
- Desative a sincronização automática das aplicações que têm de ser sincronizadas.
- Reduza o período de retroiluminação.
- Diminua a luminosidade do ecrã.

Sugestões e precauções relacionadas com o carregamento da bateria

- Quando a carga da bateria for reduzida, o ícone da bateria é apresentado em branco.
- Se a bateria estiver totalmente descarregada, o dispositivo não pode ser desligado de imediato se o carregador estiver ligado. Antes de ligar o dispositivo, carregue a bateria descarregada durante alguns minutos.
- Se utilizar várias aplicações em simultâneo, aplicações de rede ou aplicações que necessitem de ligação a outro dispositivo, a bateria fica descarregada rapidamente. Para evitar a perda de energia durante uma transferência de dados, utilize sempre estas aplicações depois de carregar a bateria por completo.
- A utilização de uma fonte de alimentação que não seja um carregador, pode resultar numa velocidade de carregamento mais lenta, porque a corrente elétrica é mais reduzida.
- O dispositivo pode ser utilizado durante a fase de carregamento, mas pode demorar mais tempo a carregar a bateria por completo.
- Se o dispositivo receber uma fonte de alimentação instável durante o carregamento, o ecrã tátil pode não funcionar. Se isto acontecer, desligue o carregador do dispositivo.
- Durante o carregamento, o dispositivo e o carregador podem ficar quentes. Isto é normal e não afeta a vida útil ou o desempenho do dispositivo. Se a bateria ficar mais quente do que o habitual, o carregador pode deixar de carregar. Se isto ocorrer durante o carregamento sem fios, desligue o dispositivo do carregador para que arrefeça e carregue o dispositivo mais tarde.
- Se carregar o dispositivo com a ficha multiusos, o dispositivo pode ficar danificado. Seque bem a ficha multiusos antes de carregar o dispositivo.
- Se o dispositivo não ficar carregado devidamente, leve o dispositivo e o carregador para um centro de assistência da ECOM.

Carregamento rápido

O dispositivo tem uma funcionalidade de carregamento rápido integrada. A bateria é carregada com maior rapidez se o dispositivo ou o ecrã estiverem desligados.

Aumentar a velocidade de carregamento

Para aumentar a velocidade de carregamento, ligue o dispositivo ou o ecrã quando carregar a bateria. Se a funcionalidade de carregamento rápido não estiver ativada, inicie a aplicação Definições, toque em Cuidados do dispositivo → Bateria → Carregamento e, em seguida, toque no interruptor de carregamento rápido para ativá-la.



- Durante o carregamento, não pode ativar ou desativar esta funcionalidade.
- Não pode utilizar a funcionalidade de carregamento rápido integrada quando carregar a bateria com um carregador de bateria comum.
- Se o dispositivo aquecer ou a temperatura ambiente aumentar, a velocidade de carregamento diminui automaticamente. Isto é uma situação de funcionamento normal para evitar danos no dispositivo.

Cartão SIM ou USIM (cartão nano-SIM) (WWAN)

Instalar o cartão SIM ou USIM

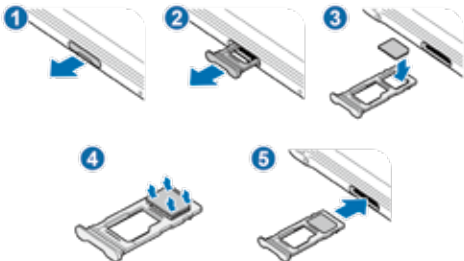
Insira o cartão SIM ou USIM fornecido pelo fornecedor de serviços de telemóvel.



- Utilize apenas um cartão nano-SIM.
- Tenha cuidado para não perder o cartão SIM ou USIM e não deixe que outras pessoas o utilizem. A ECOM não é responsável por quaisquer danos ou incómodos causados pela perda ou roubo de cartões.



Alguns serviços que necessitem de ligação à rede podem não estar disponíveis, dependendo do fornecedor de serviços.



1 Retire com cuidado o tabuleiro da respetiva ranhura.

2 Insira o cartão SIM ou USIM no tabuleiro com os contactos dourados virados para baixo.

3 Insira com cuidado o cartão SIM ou USIM no tabuleiro para encaixá-lo.



Se o cartão não estiver fixado com firmeza no tabuleiro, o cartão SIM pode sair ou cair do tabuleiro.

4 Insira o tabuleiro na respetiva ranhura.



- Se inserir o tabuleiro no dispositivo e o tabuleiro estiver molhado, o dispositivo pode ficar danificado. O tabuleiro deve estar sempre seco.
- Insira o tabuleiro por completo na ranhura para evitar a entrada de água no dispositivo.

Cartão de memória (cartão microSD)

Instalar um cartão de memória

A capacidade do cartão de memória do dispositivo pode ser diferente de outros modelos e alguns cartões de memória podem não ser compatíveis com o dispositivo, dependendo do fabricante e do tipo de cartão de memória. Para saber qual é a capacidade máxima do cartão de memória, consulte o Website da Samsung.



- Alguns cartões de memória podem não ser totalmente compatíveis com o dispositivo. Utilizar um cartão incompatível pode danificar o dispositivo ou o cartão de memória ou danificar os dados armazenados.
- Tenha cuidado quando inserir o cartão de memória virado para cima.



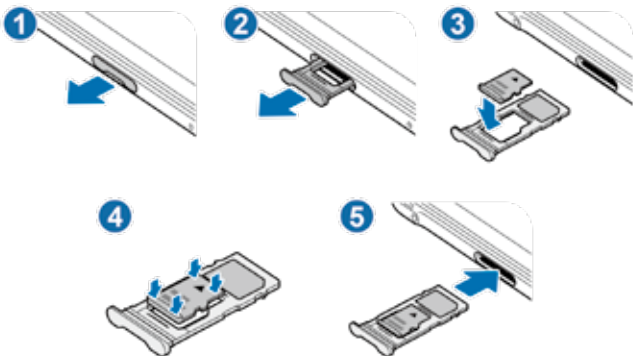
- O dispositivo é compatível com os sistemas de ficheiro FAT e exFAT para cartões de memória.

Quando inserir um cartão formatado num sistema de ficheiro diferente, o dispositivo apresenta uma mensagem para reformatar o cartão, caso contrário não reconhece o cartão. Para utilizar o cartão de memória, deve formatá-lo.

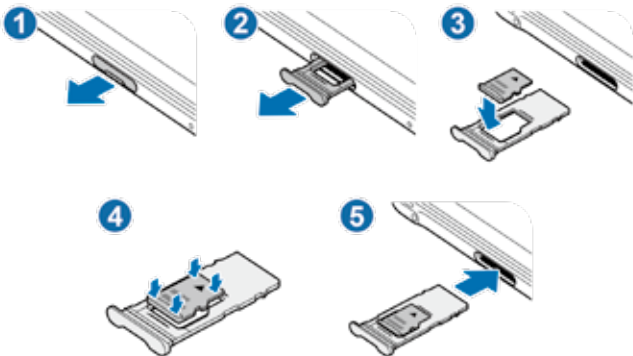
Se não conseguir formatar o dispositivo ou reconhecer o cartão de memória, contacte o fabricante do cartão de memória ou um centro de assistência da ECOM.

- A gravação ou eliminação frequente de dados reduz a vida útil dos cartões de memória.
- Quando inserir um cartão de memória no dispositivo, o diretório de ficheiros no cartão de memória é apresentado em **Os meus ficheiros** → **Pasta do cartão SD**.

► WWAN:



► WiFi:



1 Retire com cuidado o tabuleiro da respetiva ranhura.



Quando retira o tabuleiro do dispositivo, a ligação aos dados móveis é desativada. (WWAN)

2 Coloque um cartão de memória no tabuleiro com os contactos dourados virados para baixo.

3 Pressione com cuidado o cartão de memória no tabuleiro para fixá-lo.



Se o cartão não estiver fixado com firmeza no tabuleiro, o cartão de memória pode sair ou cair do tabuleiro.

4 Insira o tabuleiro na respetiva ranhura.



- Se inserir o tabuleiro no dispositivo e o tabuleiro estiver molhado, o dispositivo pode ficar danificado. O tabuleiro deve estar sempre seco.
- Insira o tabuleiro por completo na ranhura para evitar a entrada de água no dispositivo.

Retirar o cartão de memória

Antes de retirar o cartão de memória, desmonte-o primeiro para uma remoção segura. Inicie a aplicação **Definições** e toque em **Cuidados do dispositivo** → **Armazenamento** → **Avançadas** → **Cartão SD** → **Desmontar**.



Não retire o armazenamento externo, por exemplo, o cartão de memória ou o armazenamento USB, enquanto o dispositivo estiver a transferir ou aceder a informações ou imediatamente após a transferência dos dados. Se o fizer, os dados podem ficar danificados ou causar danos no armazenamento externo ou no dispositivo. A Samsung não se responsabiliza por quaisquer perdas, incluindo perda de dados, que resultem da utilização indevida de dispositivos de armazenamento externos.

Formatar o cartão de memória

Um cartão de memória formatado num computador pode não ser compatível com o dispositivo.

Formate o cartão de memória no dispositivo.

Inicie a aplicação **Definições** e toque em **Cuidados do dispositivo** → **Armazenamento** → **Avançadas** → **Cartão SD** → **Formatar**.

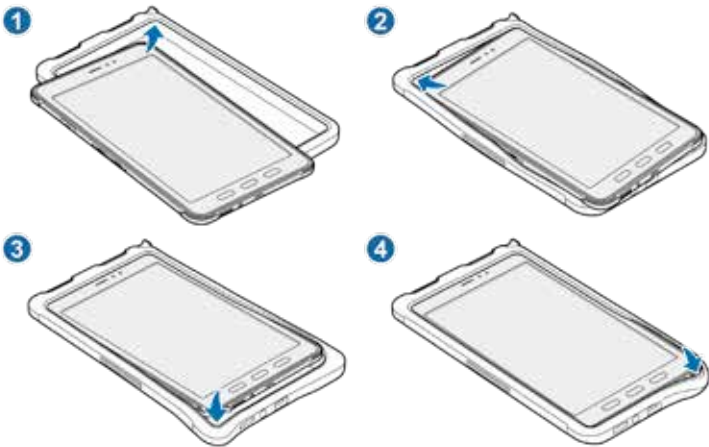


Antes de formatar o cartão de memória, deve efetuar uma cópia de segurança de todos os dados importantes armazenados no cartão de memória. A garantia do fabricante não abrange a perda de dados causada pelas ações do utilizador.

Ex-Protective Case

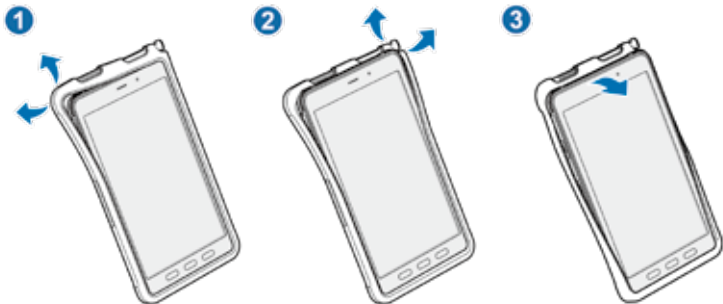
Colocar a Ex-Protective Case

Insira a parte superior do dispositivo na caixa e, em seguida, pressione cada uma das extremidades da parte inferior com ambas as mãos para inseri-la com firmeza.



Retirar a Ex-Protective Case

Com o dispositivo na vertical, empurre cada uma das extremidades da parte superior com ambas as mãos até o dispositivo ficar saliente da capa e retire o dispositivo.



Instalar a S Pen

Insira a S Pen na parte superior da Ex-Protective Case.



Não insira a S Pen ao contrário na Ex-Protective Case.

Ligar e desligar o dispositivo



Respeite todos os avisos e instruções publicados por técnicos autorizados nos locais onde a utilização de dispositivos sem fios é proibida, como aviões e hospitais.

Ligar o dispositivo

Prima e mantenha premida a tecla lateral durante alguns segundos para ligar o dispositivo.

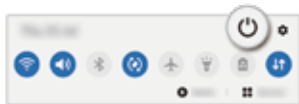
Quando ligar o dispositivo pela primeira vez ou depois de efetuar a reposição dos dados, siga as instruções no ecrã para configurar o dispositivo.

Desligar o dispositivo

1 Para desligar o dispositivo, prima e mantenha premida a tecla lateral e a tecla para diminuir o volume em simultâneo. Como alternativa, abre o painel de notificações e toque em.



Botão para diminuir o volume
Tecla lateral



2 Toque em Desligar.
Para reiniciar o dispositivo, toque em Reiniciar.



Pode definir o dispositivo para desligar-se quando premir e manter premida a tecla lateral. Inicie a aplicação **Definições**, toque em **Funcionalidades avançadas** → **Tecla lateral** e, em seguida, toque em **Desligar menu** em **Premir e manter premido**.

Forçar reinício

Se o dispositivo bloquear ou não responder, prima e mantenha premida a tecla lateral e a tecla para diminuir o volume em simultâneo durante mais de 7 segundos para reiniciá-lo.

Copyright© 2021 ECOM Instruments GmbH.

The contents of this document, either in part or in their entirety, may not be reproduced, forwarded, distributed or saved in any way without ECOM Instruments GmbH prior written consent.

The contents of this document are presented as they currently exist. ECOM Instruments GmbH does not provide any express or tacit guarantee for the correctness or completeness of the contents of this document, including, but not restricted to, the tacit guarantee of market suitability or fitness for a specific purpose unless applicable laws or court decisions make liability mandatory. ECOM Instruments GmbH reserves the right to make changes to this document or to withdraw it any time without prior notice.

Copyright© 2021 ECOM Instruments GmbH.

Der Inhalt dieses Dokuments darf ohne vorherige schriftliche Genehmigung durch die ECOM Instruments GmbH in keiner Form, weder ganz noch teilweise vervielfältigt, weitergegeben, verbreitet oder gespeichert werden.

Der Inhalt dieses Dokuments wird so präsentiert, wie er aktuell vorliegt. Die ECOM Instruments GmbH übernimmt weder ausdrücklich noch stillschweigend irgendeine Gewährleistung für die Richtigkeit oder Vollständigkeit des Inhalts dieses Dokuments, einschließlich, aber nicht beschränkt auf die stillschweigende Garantie der Marktauglichkeit und der Eignung für einen bestimmten Zweck, es sei denn, anwendbare Gesetze oder Rechtsprechungen schreiben zwingend eine Haftung vor. Die ECOM Instruments GmbH behält sich das Recht vor, jederzeit ohne vorherige Ankündigung Änderungen an diesem Dokument vorzunehmen oder das Dokument zurückzuziehen.

DOCT-7140| 11/2021

WEEE-Reg.-Nr. DE 934 99306

Subject to change without notice. Änderungen vorbehalten!

Sujet à changement sans préavis. Soggetto a modifiche senza preavviso.

Sujeto a cambios sin previo aviso. Sujeito alterações sem aviso prévio.