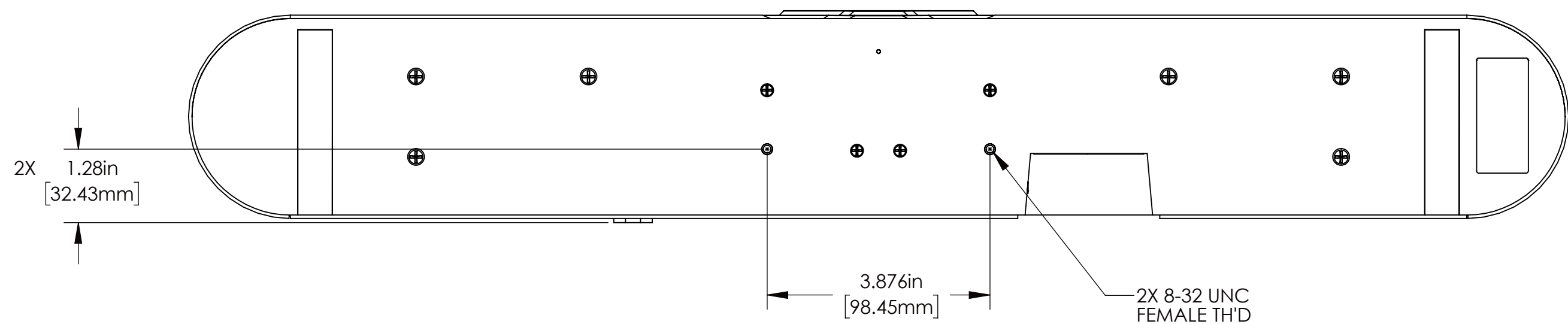


DRAWING NO.  
998-50707-000



UNLESS OTHERWISE NOTED:  
DIMENSIONS ARE IN INCHES  
DIMENSIONAL LIMITS APPLY AFTER FINISH

MACHINED SURFACES 125  
EDGES & FILLETS R .005/.015  
FRACTIONS ± 1/32  
ANGLES ± 1°  
DEC. XX = ± .015  
XXX = ± .005  
XXXX = ± .0002

THIS DRAWING, INCLUDING ALL SUBJECT MATTERS INDICATED THEREON OR DERIVED THEREFROM, COMPRSES PROPRIETARY INFORMATION AND IS THE EXPRESS PROPERTY OF VADDIO LLC. EMPLOYMENT, REPRODUCTION OF OR DISSEMINATION OF THIS DRAWING, IN WHOLE OR IN PART, WITHOUT WRITTEN PERMISSION OF VADDIO LLC IS STRICTLY FORBIDDEN.

**vaddio**

|                     |         |          |                 |
|---------------------|---------|----------|-----------------|
| DRAWN<br>WLF        | CHECKED | APPROVED | DATE<br>1/24/19 |
| MATERIAL<br>SEE BOM |         |          | SIZE<br>D       |
| FINISH<br>NONE      |         |          | SCALE<br>1:2    |

|      |        |                 |     |         |                     |                 |                              |            |
|------|--------|-----------------|-----|---------|---------------------|-----------------|------------------------------|------------|
| Q2   | -      | INITIAL RELEASE | WLF | 1/24/19 | TITLE<br>HUDDLESHOT | SHEET<br>1 OF 1 | DRAWING NO.<br>998-50707-000 | REV.<br>02 |
| REV. | E.C.O. | DESCRIPTION     | BY  | DATE    |                     |                 |                              |            |