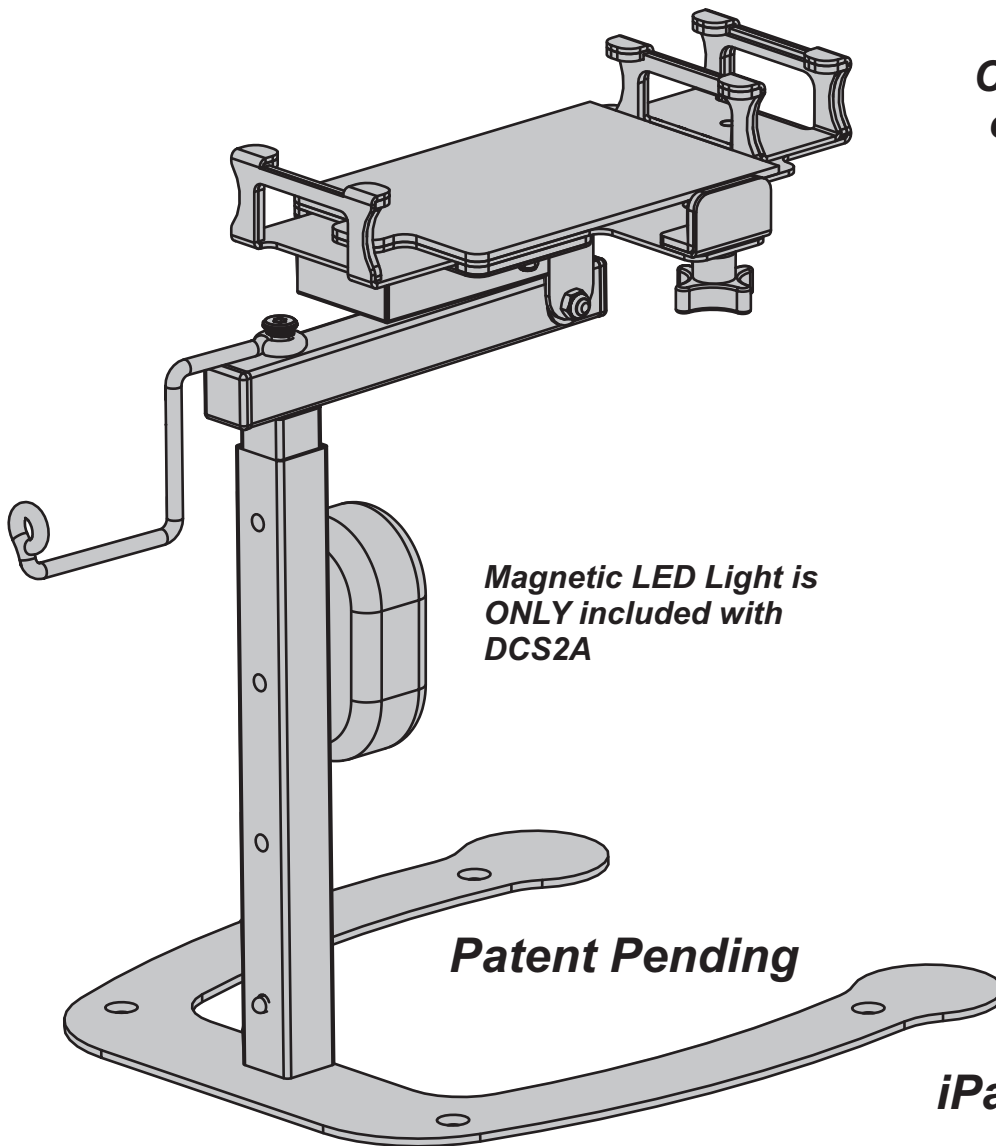




205 Westwood Ave, Long Branch, NJ 07740
Phone: 866-94 BOARDS (26273) / (732)-222-1511
Fax: (732)-222-7088 | E-mail: sales@touchboards.com

- WARNING !**
- This product is meant to be assembled by an adult.
 - In its unassembled state, small parts present a hazard.
 - To be used under direct supervision of an adult.



*Magnetic LED Light is
ONLY included with
DCS2A*

Patent Pending

*Check out some of our
other great products!*



www.copernicused.com

*Need Tech Support?
Have a Question?*



Email our Tech Support Service

iPad® not included.

***Document Camera Function
only works with iPad mini™,
iPad 2™ & Newer.***





Warning! Hazard Risks!

Please read the warnings below for important safety information regarding your product. Failure to read these warnings or to follow the instructions below could result in personal injury or damage to your product that could void your warranty.



Small Parts

In its unassembled state, this product contains parts that can be hazardous to small children. This product should be assembled by an adult.



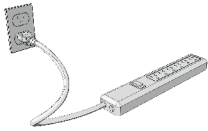
Adult Supervision

This product is to be used under the supervision of an adult.



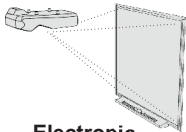
Indoor Use Only

This product is intended for indoor use only. To reduce the risk of fire or electric shock, do not expose this product to rain or moisture. The internal components are not sealed from the environment.



Powerbar Specifications

Read your powerbar's electrical specifications. Only plug in devices that are approved for use with this powerbar. Connect the supplied power bar directly to a wall outlet. **Do not connect to another power bar or use an extension cord.** Unplug when not in use.



Electronic Equipment

Read the electrical specifications of any electronic equipment you are using with your Copernicus products. Failure to read these specifications and follow their instructions could result in damage to your equipment or personal injury.



Cable Trip Hazard

Ensure that any cables extending across the floor to your product are properly bundled and marked to avoid tripping or falling which may lead to personal injury.



Electrical Shock

Do not install or use the electrical components of this unit during a lightning storm.



Climb Hazard

Do not climb on, hang from or suspend objects from any components of your product unless otherwise specified.



Tips for Assembly



2 Person

Watch for These Helpful Symbols

- This symbol denotes a 2 Person Task. For safety, please ensure that there are two people working on steps displaying this symbol



- Watch for this symbol throughout the Assembly Instructions. Wherever you see it, pay close attention. The symbol denotes a step needing extra attention to ensure it is done correctly.



- The Star symbol highlights an advisory note

Before You Begin



- Layout and identify all of the included parts
- The hardware has been packed by step
- Read the assembly instructions over once to familiarize yourself with them
- Please note that in its unassembled state, this product contains parts that can be a hazard to small children; it should be assembled by an adult.

hmmm



As You Assemble the Unit

- Follow the steps in sequence
- Before beginning each step, find the part(s) that you need for that step
- Pay attention to the labeling on the parts, they are there to help direct you at certain stages
- The title of each step states what you will be doing. Review the text and the pictures as you build the unit.



Validate Your Warranty On-Line

To validate your warranty submit the ON-LINE form at www.copernicused.com

“The beautiful thing about learning is that no one can take it away from you.” - B. B. King

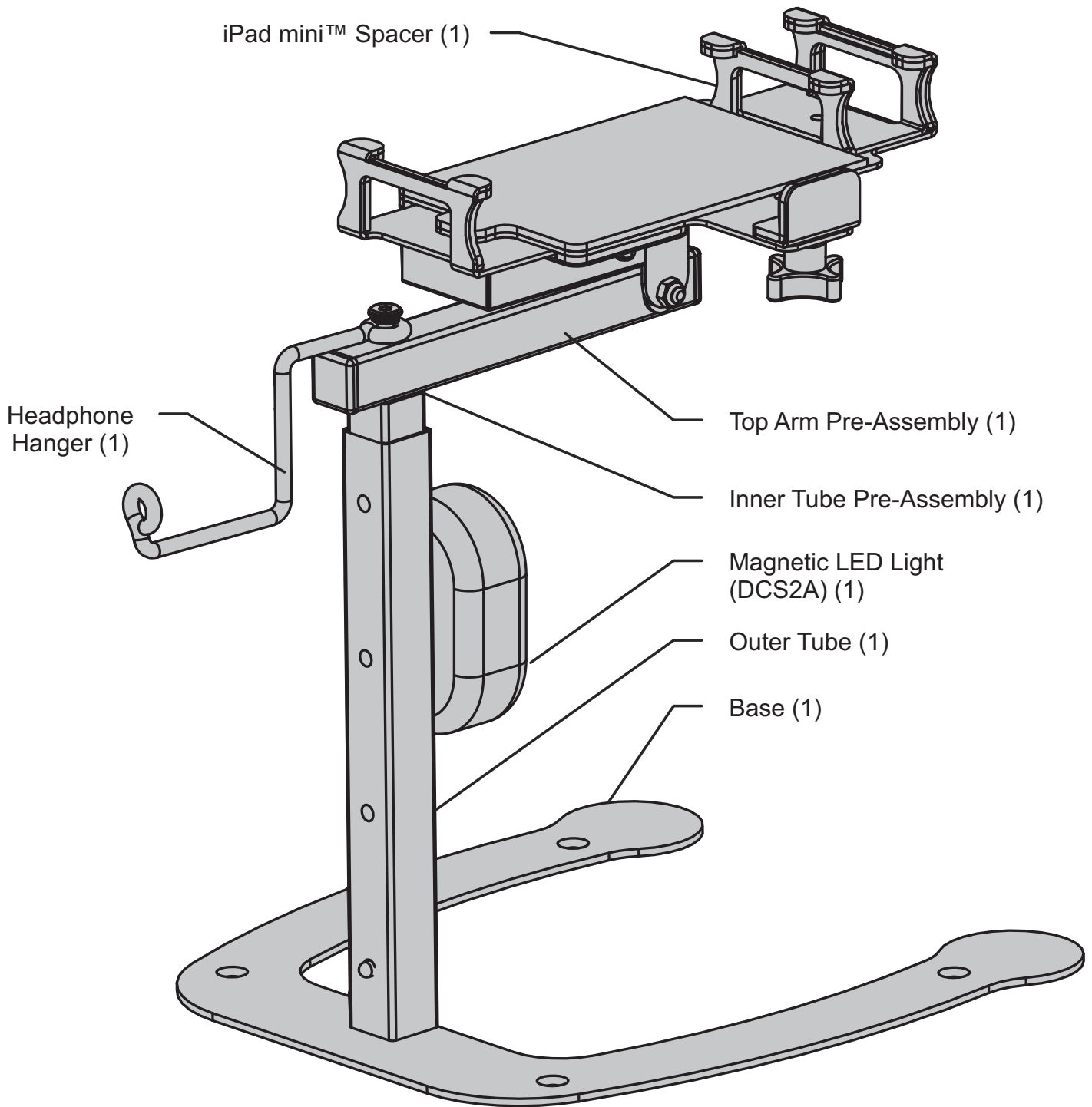


Dewey the Document Camera Stand - Assembly Guide

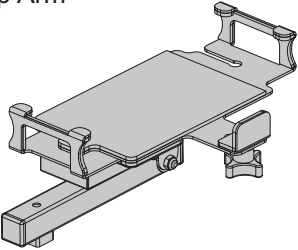
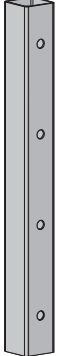
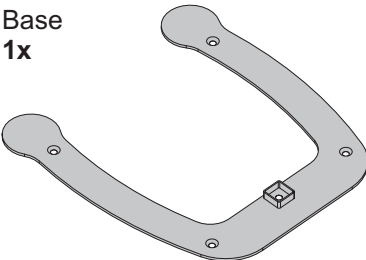
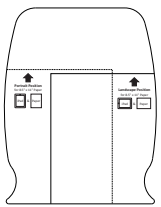
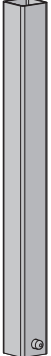
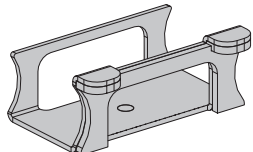
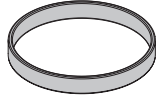
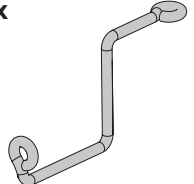





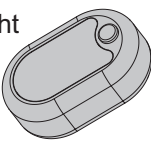


WARNING




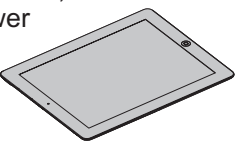
Please note that in its unassembled state, this product contains parts that can be hazardous to small children. This product should be assembled by an adult.



Before beginning, you should have:

<p>Contents - Box 1</p> <p>Top Arm 1x </p> <p>Outer Tube 1x </p> <p>Base 1x </p> <p>Positioning Template 1x </p> <p>Inner Tube 1x </p> <p>iPad mini™ Spacer 1x </p> <p>VGA Strap 1x </p> <p>Headphone Holder 2x </p>			<p>Hardware Actual Size</p> <p>In Box 1</p> <p>(A) M6 x 20mm 1x </p> <p>(B) M6 x 45mm 1x </p> <p>(C) M6 Lock Washer 1x </p> <p>Allen Key (Not to Scale) 1x </p> <p>Bag of extra hardware 1x  1 Extra of Each</p>		
			<p>Content - Box1 Comes with DCS2A</p> <p>Magnetic LED Light 1x </p>		

Additional Items Needed Not Included

<p>VGA Cable 1x </p>	<p>Apple® VGA Adapter 1x </p>	OR	<p>Apple TV® 1x </p>	<p>iPad mini™, iPad 2™ or Newer 1x </p>
--------------------------------------------------------------------------------------------------------------------	-----------------------------------------------------------------------------------------------------------------------------	-----------	---------------------------------------------------------------------------------------------------------------------	-----------------------------------------------------------------------------------------------------------------------------------------



1

Actual Size:

(A) M6 x 20mm
1x

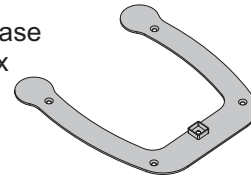


You will need: (Not to Scale)

Outer Tube
1x

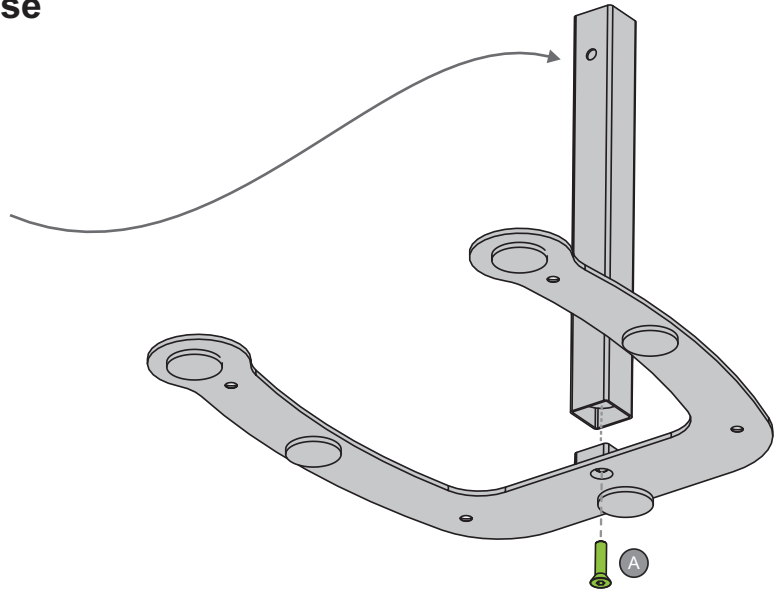


Base
1x



Assemble the Outer Tube to the Base

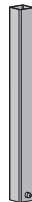
! Make sure the stop hole is facing inwards and is placed on top.



2

Actual Size:

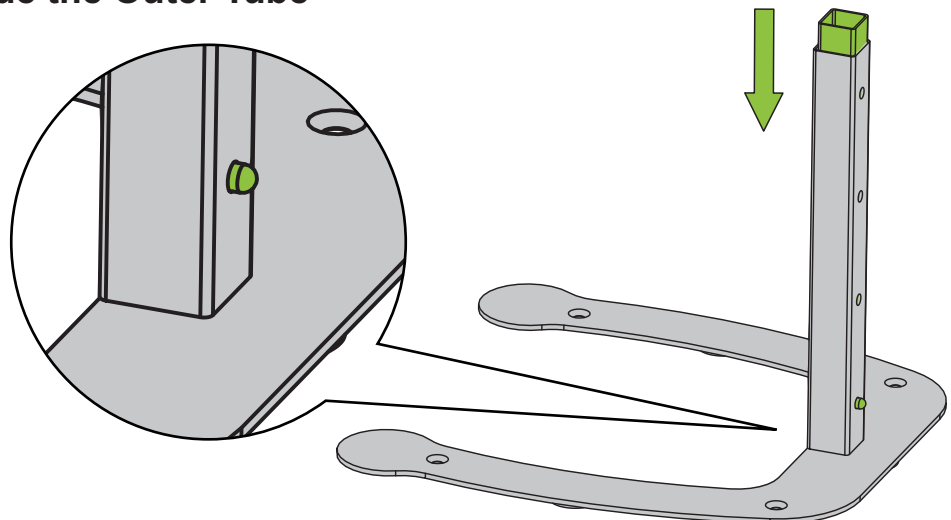
You will need: (Not to Scale)



Inner Tube
1x

Place the Inner Tube inside the Outer Tube

! Pay close attention to the orientation of the Valco Double-End Snap Buttons.



3

Actual Size:

(B) M6 x 45mm
1x

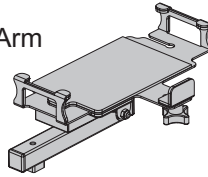


(C) M6 Lock Washer
1x

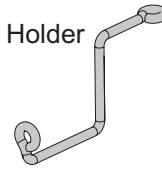


You will need: (Not to Scale)

Top Arm
1x



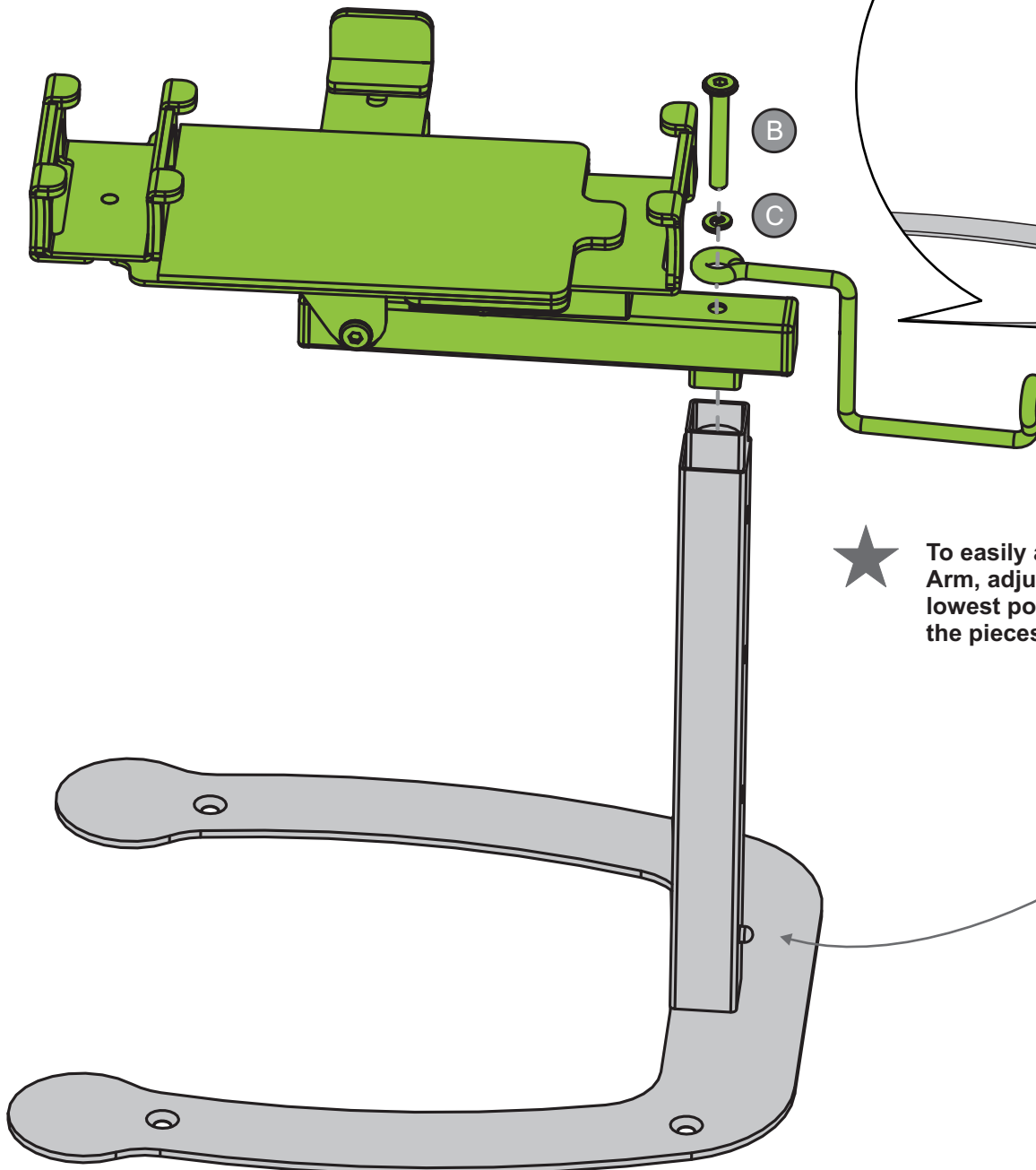
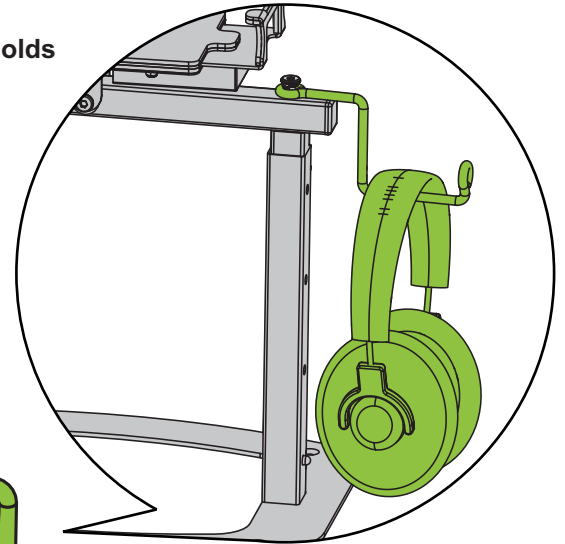
Headphone Holder
1x



Assemble the Top Arm & Headphone Holder



The headphone holder holds up to two headphones.



To easily assemble the Top Arm, adjust the height to the lowest position then assemble the pieces together.

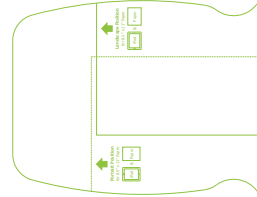


4

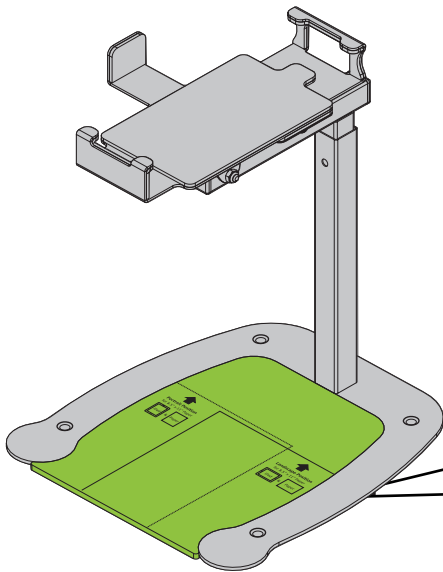
Actual Size:

You will need: (Not to Scale)

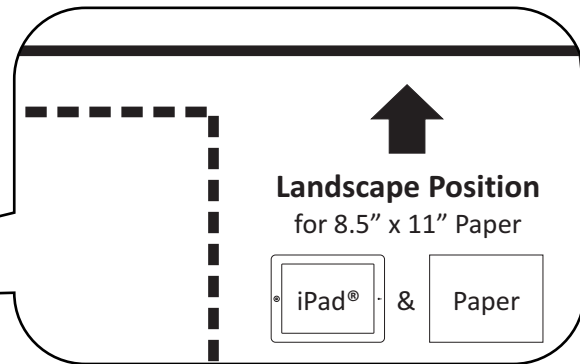
Positioning Template
1x



Position the Paper Template (OPTIONAL)



! Pay close attention to the orientation of iPad and 8.5"x11" paper. Then match the edge of the paper with the indicated line that the arrow points at. This helps to position your paper in the middle of your projection.

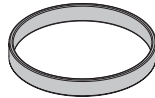


5

Actual Size:

You will need: (Not to Scale)

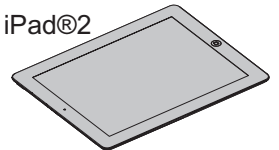
VGA Strap
1x



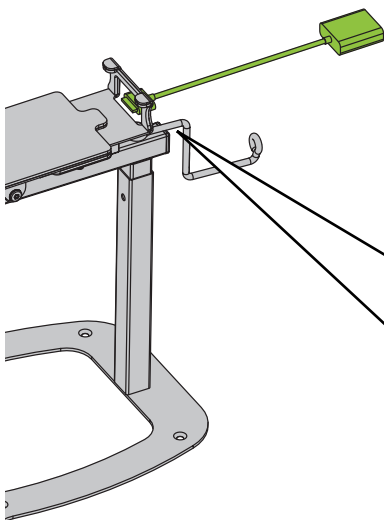
Apple® VGA Adapter
1x



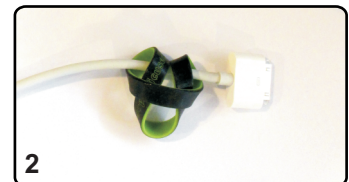
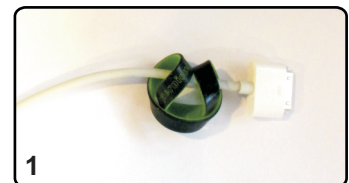
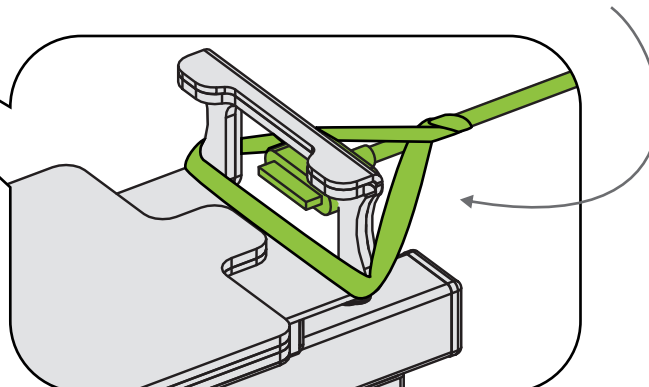
iPad mini™, iPad®2 or Newer
1x



Use VGA Strap to Hold Apple VGA Adapter in Place (OPTIONAL)



! To hold the VGA cable in place use provided VGA strap. Tie the strap around the adapter cable and then loop over the edge of the top mechanism.



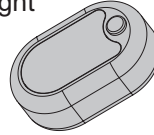
6

Actual Size:

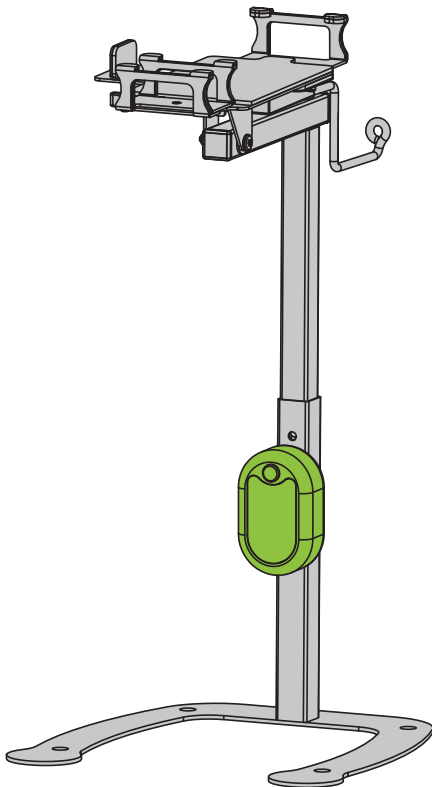
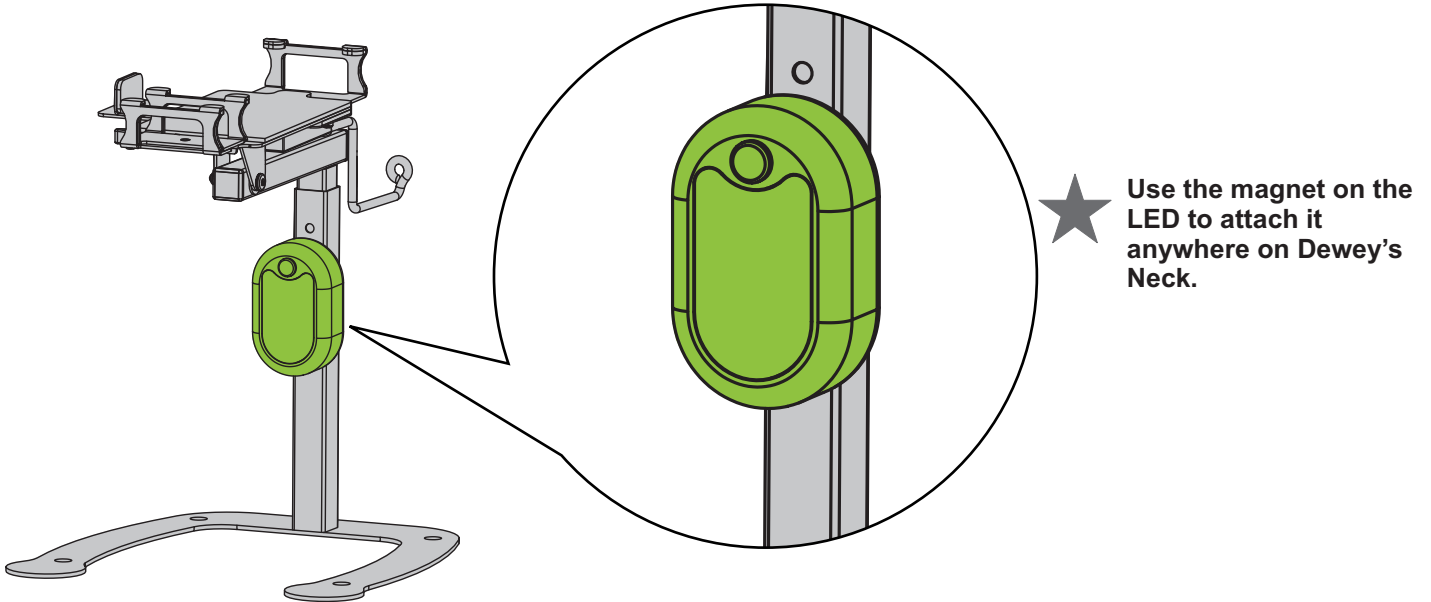
OPTIONAL -
FOR DCS2A

You will need: (Not to Scale)

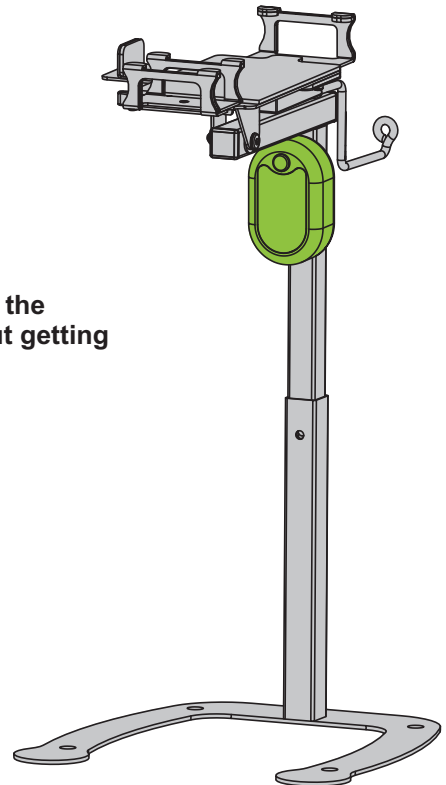
Magnetic LED Light
1x



Positioning the Magnetic LED Light (OPTIONAL)



★ Suggested spots to mount the Magnetic LED Light without getting hot spots.

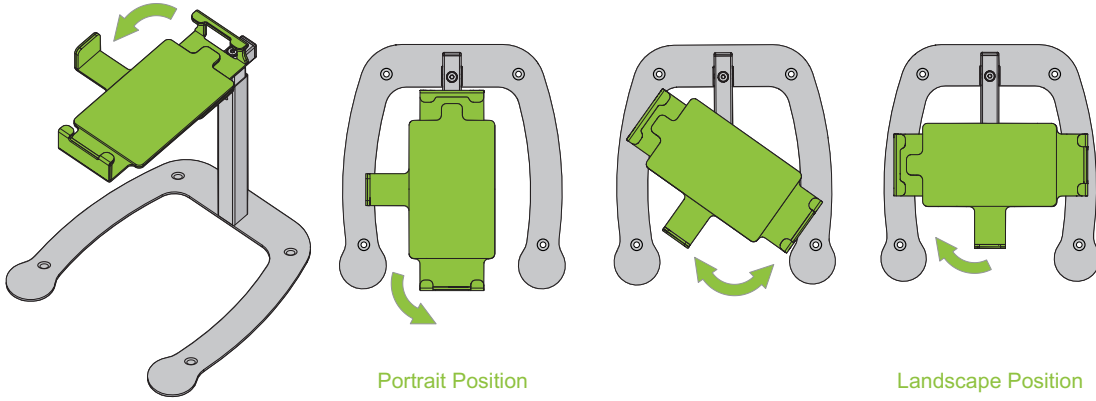




Document Camera Stand - Tips for Use

To Change Projected Image

Holding onto top mechanism - turn iPad® 90 degrees

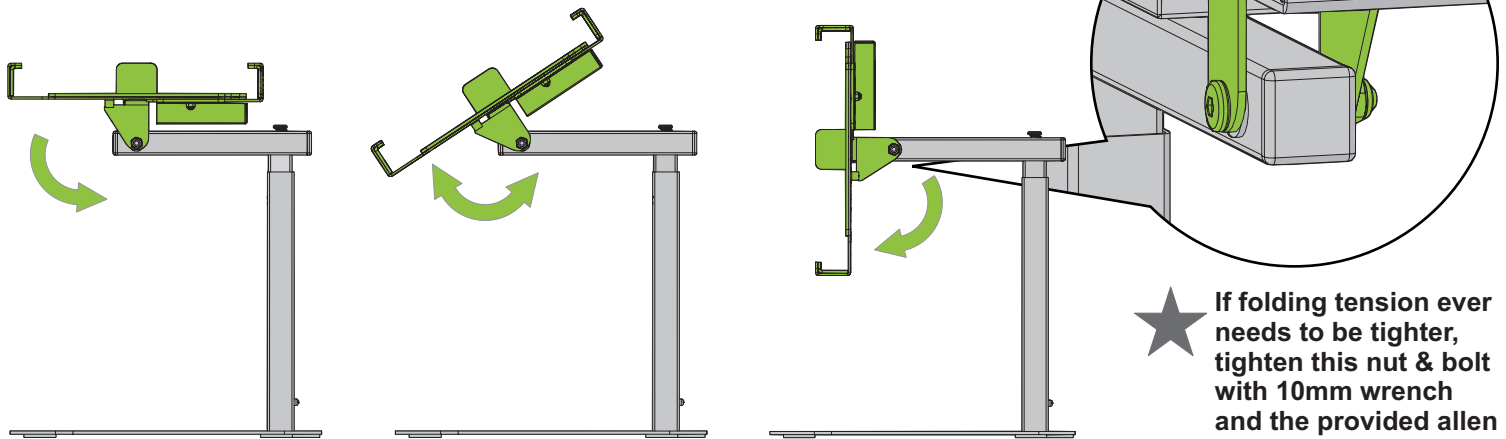


★ If swivel tension ever needs to be tighter, tighten this nut with 10mm wrench.

NOTE: Sometimes when you rotate the iPad® your projected image does not rotate, in that case you need to tilt down the top mechanism to allow the iPad® to adjust

Changing from Document Camera to Stand Position

Holding onto top Mechanism - tilt between Document Camera Position and Stand Position



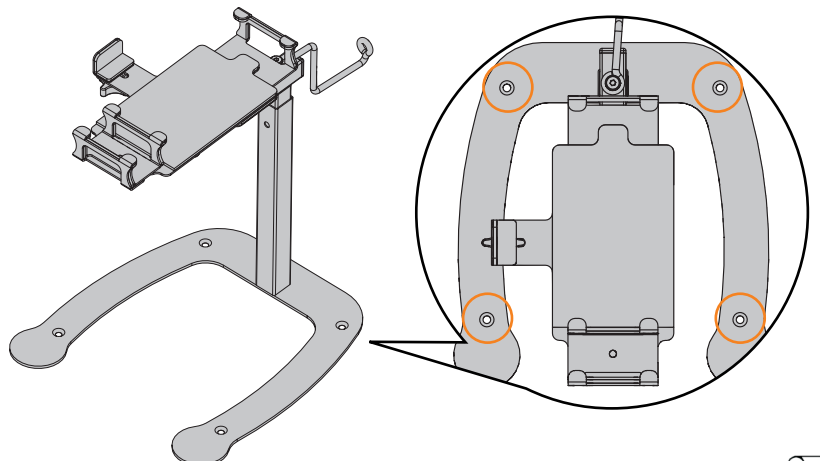
★ If folding tension ever needs to be tighter, tighten this nut & bolt with 10mm wrench and the provided allen

Securing Dewey to a Surface

Mount Dewey to a surface using the holes on the base.



The holes are made for 1/4" or M6 bolts/screws.
The length of your hardware depends on your surface thickness.





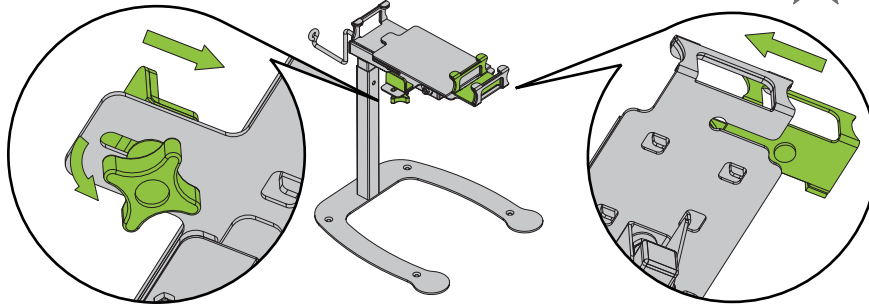
Document Camera Stand - Tips for Use

Using Dewey with iPad mini™

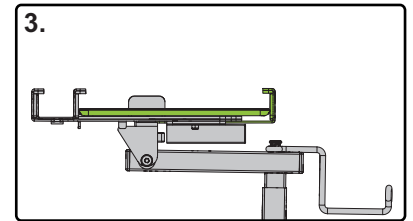
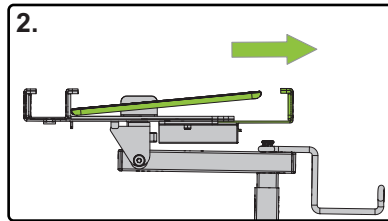
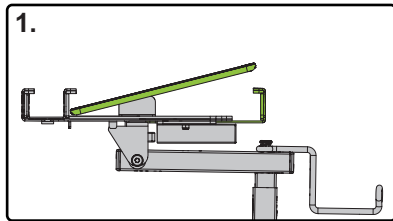
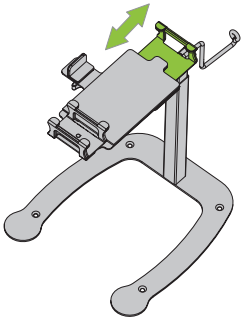
1. Use the iPad mini™ spacer, and set the bottom lip to its minimum position.

★ Slide the spacer into the provided slot

★ Loosen the knob to slide the bottom lip into position and then tighten



2. Then slide green piece out to secure iPad Mini™.

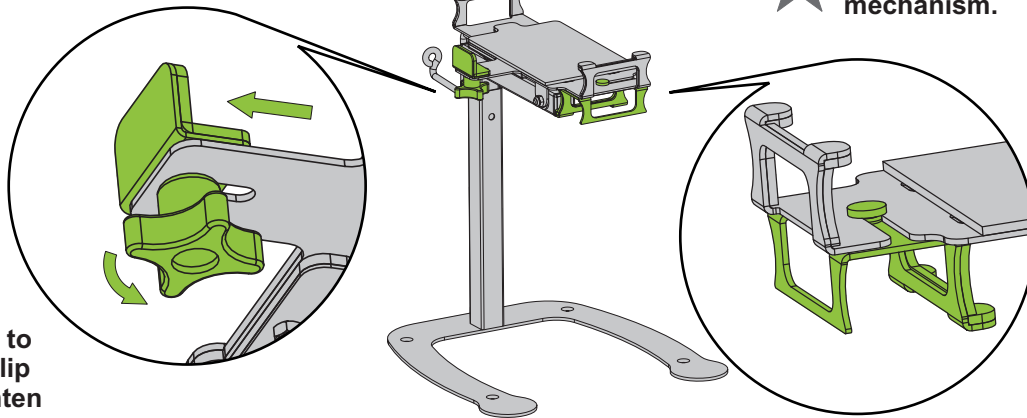


Using Dewey with 10" iPad®

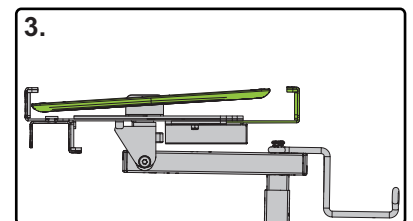
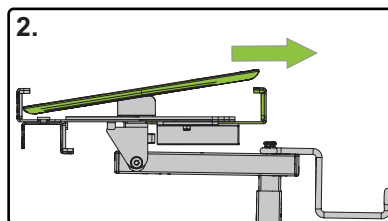
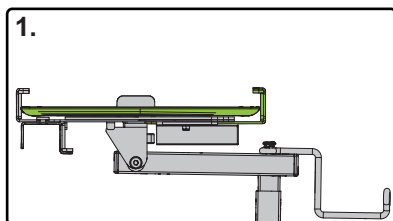
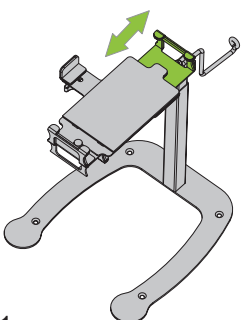
1. There is no need for the iPad mini™ spacer, set up the bottom lip to its maximum position.

★ Store the spacer under Dewey's top mechanism.

★ Loosen the knob to slide the bottom lip out and then tighten



2. Then slide green piece out to secure iPad®.





Document Camera Stand - Tips for Use

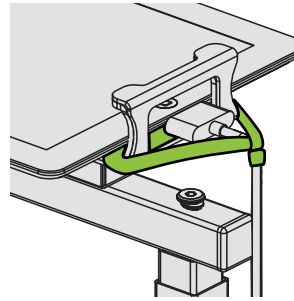
Connecting to Your Projector

For iPad mini™, iPad 2™ or newer only:

Use Apple® VGA Adapter and a VGA cord (with two VGA male outlets) to connect projector to the iPad®.

OR

Use Apple TV® to Connect wirelessly!

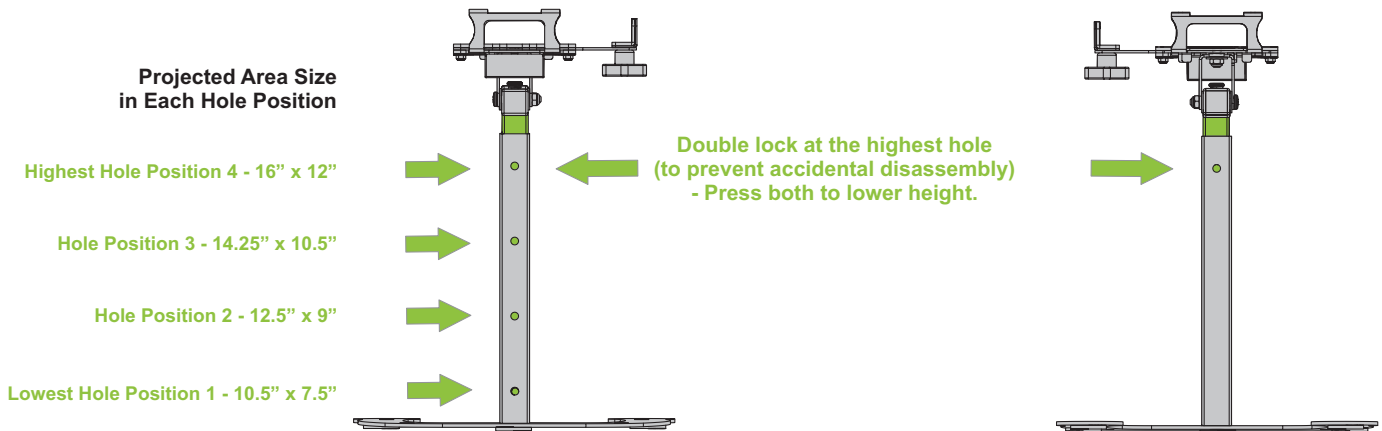


To hold the VGA cable in place use provided VGA Strap - Tie the strap around the VGA cable and then loop over the edge of the top mechanism.

Supported Paper Size

The Document Camera Stand covers surfaces from 10.5" x 7.5" up to 16" x 12" at different hole positions.

NOTE: The provided template is for positioning 8.5" x 11" paper.



Suggested Apps

iPad mini™, iPad 2™ Or Newer:



Board Cam This app allows you to write on top of your image that you are projecting.



Educreations This app turns your iPad into a recordable whiteboard. It allows you to create a video tutorial. It has voice recording, realistic digital ink, photo imports, and simple sharing features.



Nearpod This app enables teachers to use their iPads to manage content on student's iPads. Teachers version manages students content and flow of lecture. Students version receives content, participate in activities and submit responses.

NOTE: If the screen of your iPad® turns off while in use, adjust sleep mode time by going to **Setting>General>Auto-Lock**. And when you are not using your device put it into sleep mode.

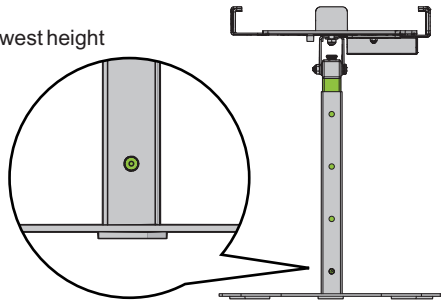




Document Camera Stand - Tips for Use

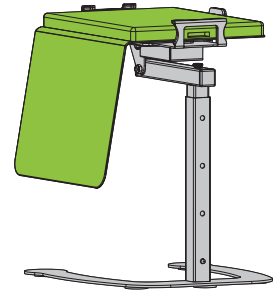
Basic Usage Tips

1. Position stand in lowest height

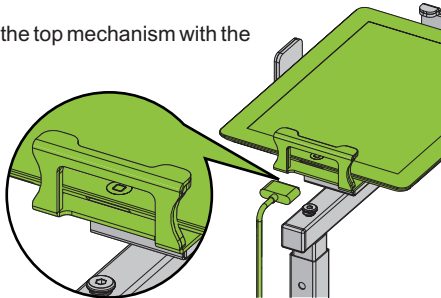


2. Place your iPad® into the stand.
(See point 3 & 4)

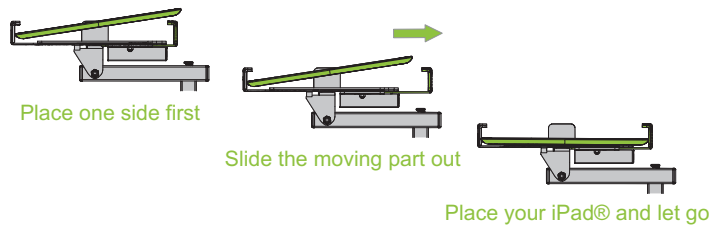
★ If your case has a flip cover, make sure it's open to the side.



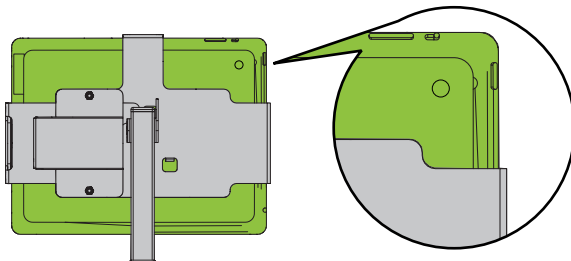
3. Match the openings in the top mechanism with the VGA outlet on your iPad®.



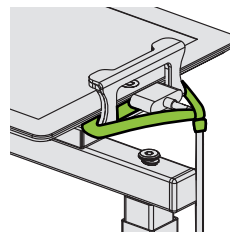
4. Place your iPad® or iPad mini™ into the top mechanism



5. For document camera function use the rear camera of your iPad®

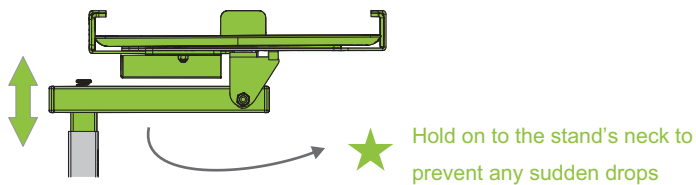


6. Use Apple® VGA Adapter to connect your iPad® to your projector

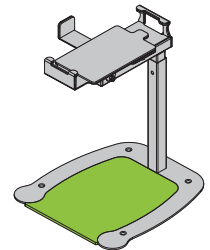
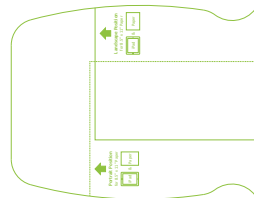


★ Use the provided VGA Strap to hold your VGA Adapter in place and stop it from being disconnected

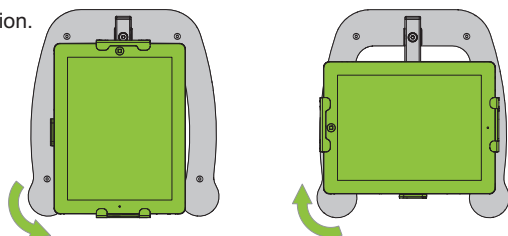
7. Launch camera app and adjust desired height by sliding the Document Cameras' neck up/down.



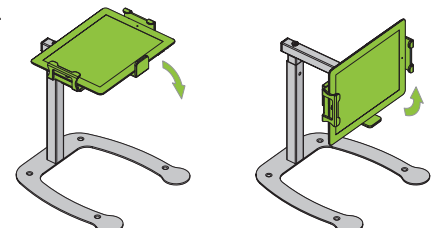
8. The Provided template helps locate your 8.5" x 11" paper without looking through the camera. (Optional)



9. By rotating the top mechanism 90 degrees, change between landscape and portrait projection.



10. By tilting down the top mechanism, switch between document camera and stand position.





205 Westwood Ave, Long Branch, NJ 07740
Phone: 866-94 BOARDS (26273) / (732)-222-1511
Fax: (732)-222-7088 | E-mail: sales@touchboards.com

Quality schools are the result of quality teachers going above and beyond the call of duty.

VICKI CARUANA

In everyone's life at some time our inner fire goes out. It is then burst into flame by an encounter with another human being. We should all be thankful for those people who rekindle the inner spirit.

ALBERT SCHWEITZER

My idea of education is to unsettle the minds of the young and inflame their intellects.

ROBERT MAYNARD
HUTCHINS

Nothing has a better effect upon children than praise.

SIR PHILLIP SIDNEY

