

FTT595  
FTT606  
FTT1010  
FTT1010-USB

# Tech Tub<sup>2</sup>® Trolley Setup



## Assembly Guide

FTT595\_606\_1010\_1010-USB\_2016\_C

Check out our other products online at  
[www.copernicused.com](http://www.copernicused.com)

For assistance, please contact us:

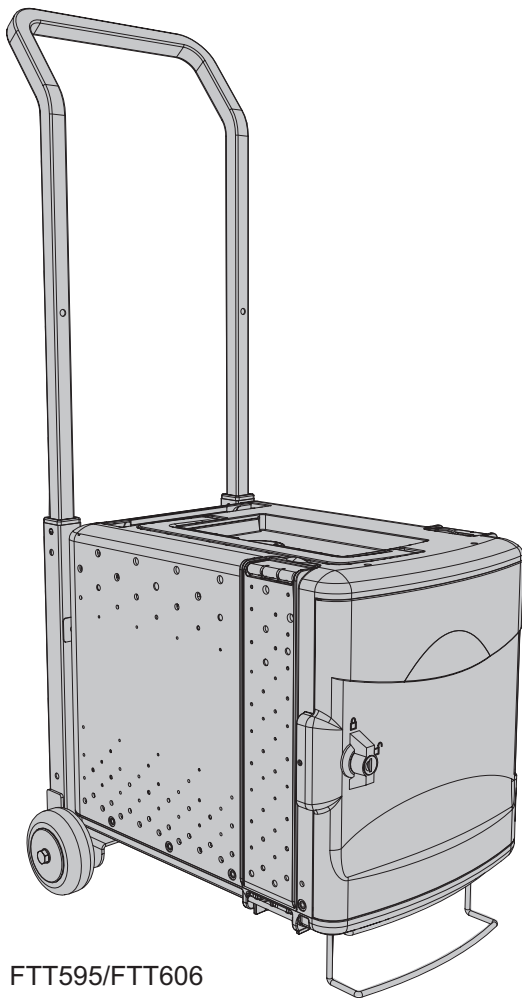
**1-800-267-8494**

Email [info@copernicused.com](mailto:info@copernicused.com)

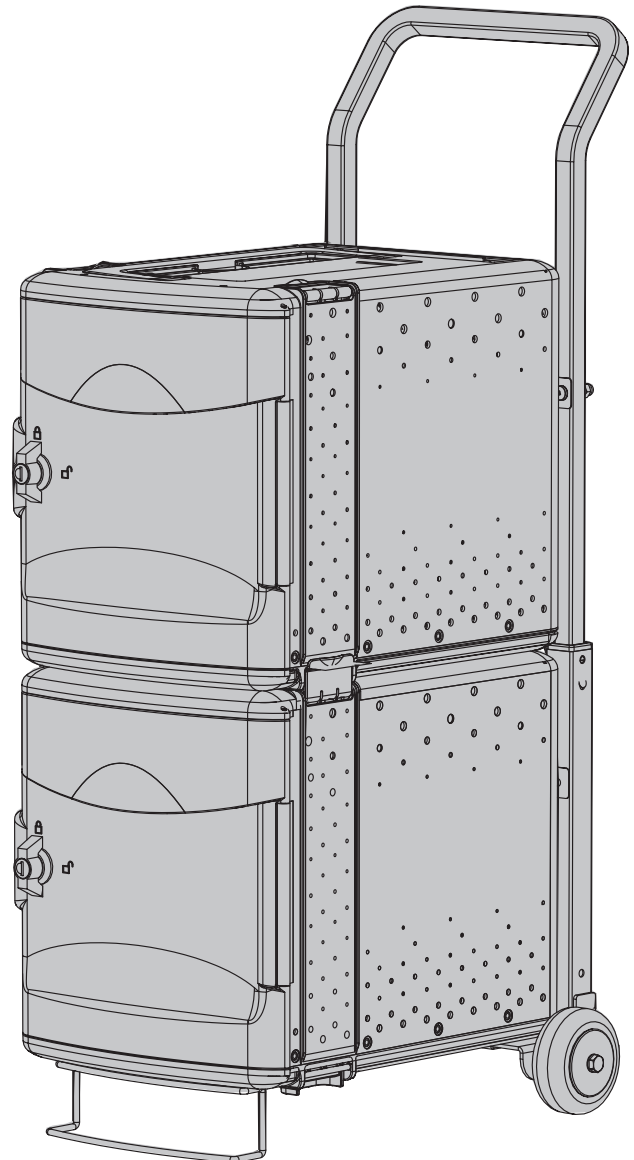
Have your packing slip ready for reference

## WARNING !

- This product is meant to be assembled by an adult.
- In its unassembled state, small parts present a hazard.
- To be used under direct supervision of an adult.



FTT595/FTT606



FTT1010/FTT1010-USB

# Touchboards

205 Westwood Ave, Long Branch, NJ 07740  
Phone: 866-94 BOARDS (26273) / (732)-222-1511  
Fax: (732)-222-7088 | E-mail: [sales@touchboards.com](mailto:sales@touchboards.com)



Please Recycle

FTT595\_606\_1010\_1010-usb - Version C - Released 13 July 2016 - Copernicus Educational Products Inc.

# Tech Tub<sup>2</sup>® Trolley Setup



## Assembly Guide

FTT595\_606\_1010\_1010-USB\_2016\_C

Check out our other products online at  
[www.copernicused.com](http://www.copernicused.com)

For assistance, please contact us:

**1-800-267-8494**

Email [info@copernicused.com](mailto:info@copernicused.com)

**Have your packing slip ready for reference**

Dear Educator,

Thank you for purchasing one of our products. I hope the Tech Tub<sup>2</sup>® Trolley is useful in your classroom.

If you have any questions, concerns, or ideas please contact us by telephone at 1-800-267-8494 or email at [info@copernicused.com](mailto:info@copernicused.com).

Enjoy using your new product and happy teaching.

Jim Phillips  
Chief Cook and Bottle Washer



We do not inherit the earth from our ancestors, we borrow it from our children.

Change is the end result of all true learning.

LEO BUSCAGLIA

NORTH AMERICAN  
PROVERB

What you leave behind is not what is engraved in stone monuments, but what is woven into the lives of others.

PERICLES

Education is the most powerful weapon which you can use to change the world.

NELSON MANDELA



### Validate Your Warranty

To validate your warranty, submit the ON-LINE form at [www.copernicused.com](http://www.copernicused.com)

**Enter a draw to win a Copernicus Product for your classroom at the same time!**



# Warning! Hazard Risks!

Please read the warnings below for important safety information regarding your product. Failure to read these warnings or to follow the instructions below could result in personal injury or damage to your product that could void your warranty.



Small Parts

In its unassembled state, this product contains parts that can be hazardous to small children. This product should be assembled by an adult.



Adult Supervision

This product is to be used under the supervision of an adult.



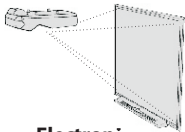
Indoor Use Only

This product is intended for indoor use only. To reduce the risk of fire or electric shock, do not expose this product to rain or moisture. The internal components are not sealed from the environment.



Power Strip Specifications

Read your power strip electrical specifications. Only plug in devices that are approved for use with this power strip. Connect the supplied power strip directly to a wall outlet. **Do not connect to another power strip or use an extension cord.** Unplug when not in use. **Do not leave this product plugged in for more than 72 consecutive hours.** Turn off power strip before unplugging.



Electronic Equipment

Read the electrical specifications of any electronic equipment you are using with your Copernicus products. Failure to read these specifications and follow their instructions could result in damage to your equipment or personal injury.



Cable Trip Hazard

Ensure that any cables extending across the floor to your product are properly bundled and marked to avoid tripping or falling which may lead to personal injury.



Electrical Shock

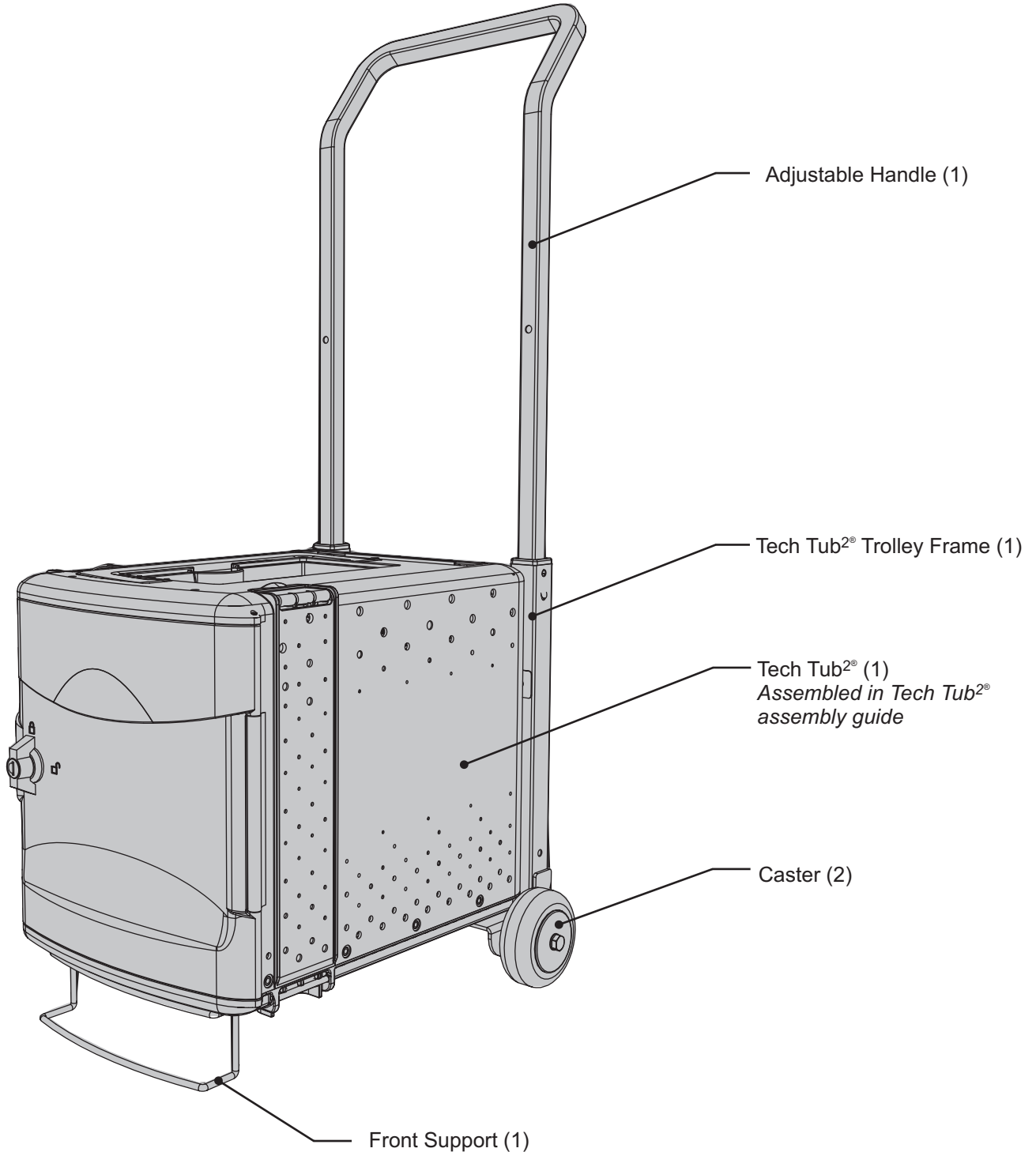
Do not install or use the electrical components of this unit during a lightning storm.



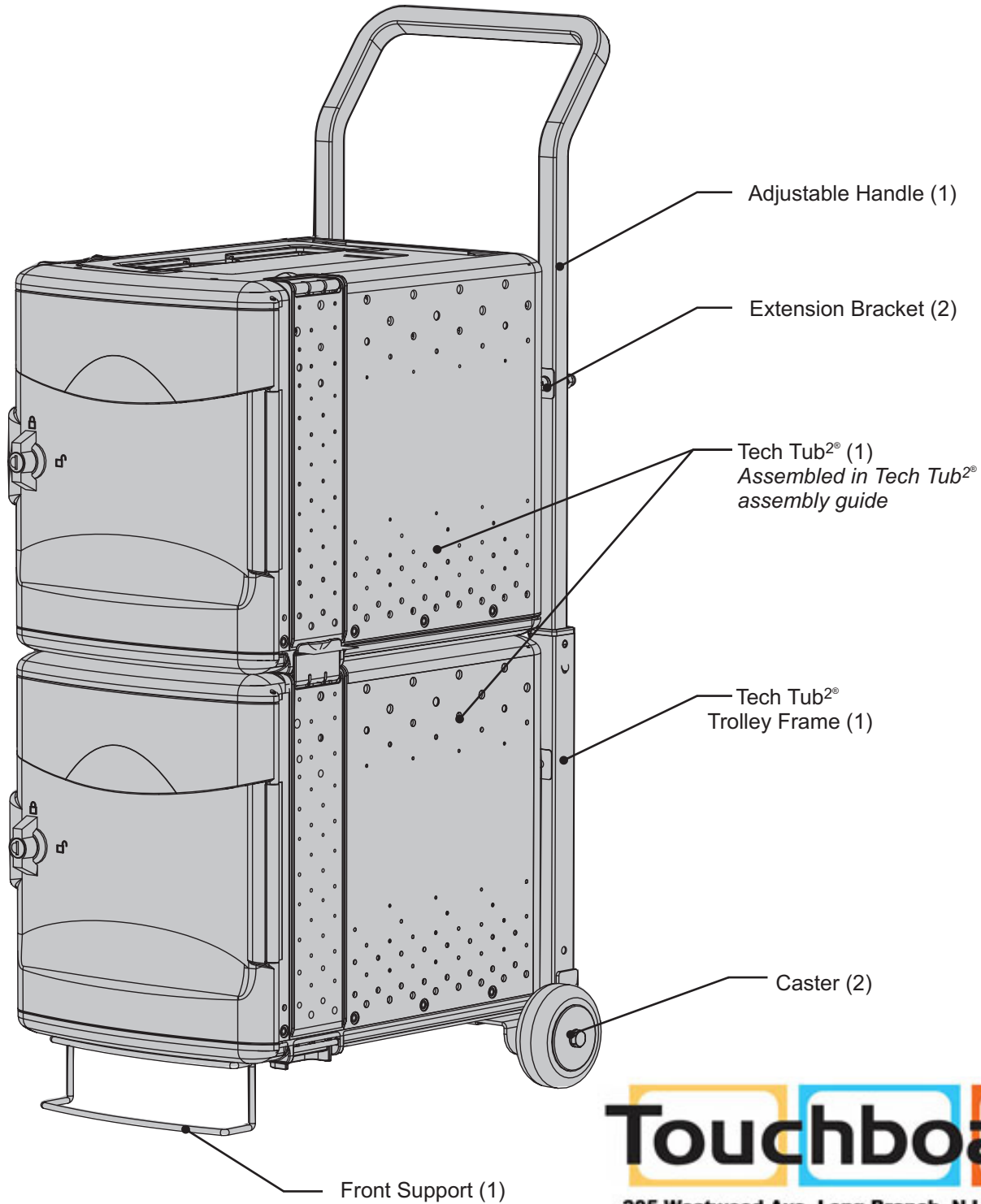
Climb Hazard

Do not climb on, hang from or suspend objects from any components of your product unless otherwise specified.

★ Assembly begins on page 8. ★



★ Assembly begins on page 10. ★



205 Westwood Ave, Long Branch, NJ 07740  
Phone: 866-94 BOARDS (26273) / (732)-222-1511  
Fax: (732)-222-7088 | E-mail: sales@touchboards.com

# Tips for Assembly

## Watch for These Helpful Symbols

This symbol denotes a 2- or 3- Person Task. For safety, please ensure that there are the suggested number of people working on steps displaying this symbol.



Watch for this symbol throughout the Assembly Guide. Wherever you see it, pay close attention. The symbol denotes a step needing extra attention to ensure it is done correctly.



The star symbol highlights an advisory note.



## Before You Begin

- Lay out and identify all of the included parts.
- The hardware has been packed according to step.
- Read the assembly guide over once to familiarize yourself with them.



**!** Please note that in its unassembled state, this product contains parts that can be hazardous to small children. This product should be assembled by an adult.

## As You Assemble the Unit

- Follow the steps in sequence.
- Before beginning each step, find the part(s) that you need for that step.
- Pay attention to the labels on the parts; they are there to help direct you at certain stages.
- The title of each step states what you will be doing. Review the text and the pictures as you build the unit.

# Customer Service - FAQ's



### For missing parts and other issues regarding the product:

- The handle doesn't extend
- I lost the key

Please call Copernicus Customer Service, where we will be happy to help.  
1-800-267-8494. Monday - Friday 8:30am - 4:30 pm EST.

OR

Email our Tech Support Service at [vanessa@copernicused.com](mailto:vanessa@copernicused.com)

**Need Tech Support?  
Have a Question?**



Email our Tech Support Service

# Tech Tub<sup>2</sup>® Trolley Setup

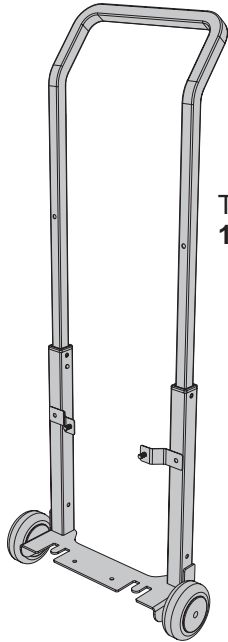
**Before beginning, you should have:**

Additional tools required:

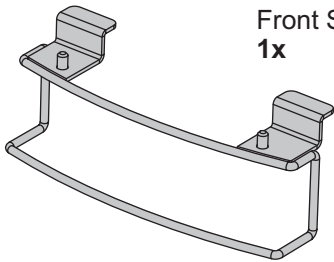
Adjustable wrench  
1x



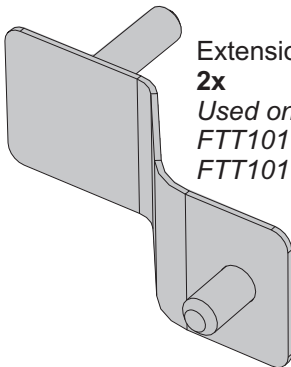
## Contents - Box 1



Trolley Frame  
1x



Front Support  
1x



Extension bracket  
2x  
*Used only with  
FTT1010  
FTT1010-USB*



## Hardware Actual Size

(A)



M6 15mm  
2x

(B)



M6 Acorn Nut  
4x

(C)



M6 Washer  
6x

(D)



M6 Lock Washer  
4x

(E)



M6 Lock Nut  
2x

(F)



M5 Washer  
4x

(G)



M5 Lock Nut  
4x



Allen Key  
Not to Scale  
(43281)  
1x

# Tech Tub<sup>2</sup>® Trolley- 6 Device Setup

1

You will need: (Not to Scale)

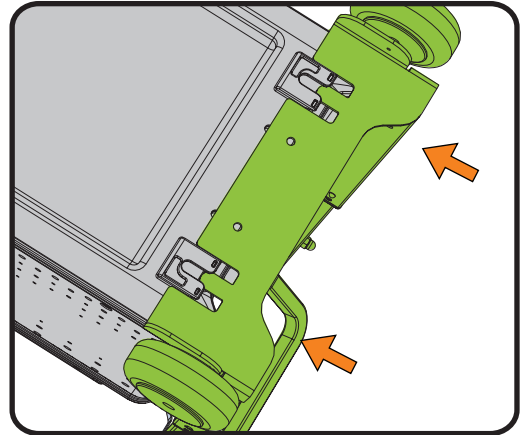
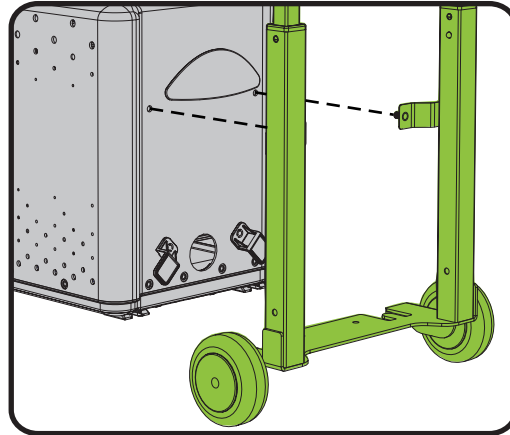
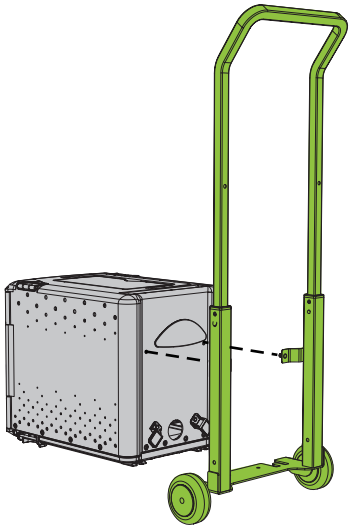
Trolley Frame  
x1



If you are installing the  
10 Device Trolley  
proceed to page 10.

## Slide Trolley Frame into Tech Tub<sup>2</sup>®

Make sure screws on Trolley Frame align with holes on Tech Tub<sup>2</sup>®



Ensure frame engages with feet  
all the way

2

Actual Size:

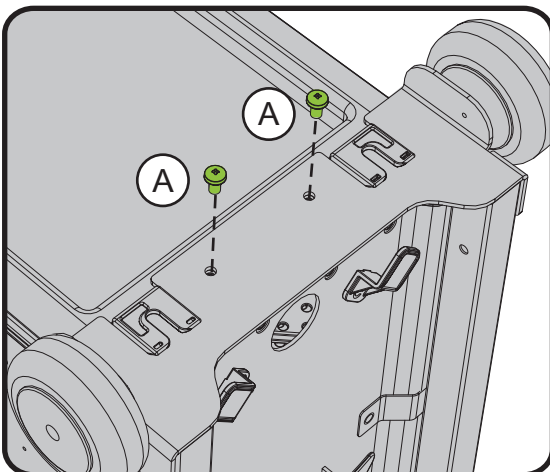


You will need: (Not to Scale)

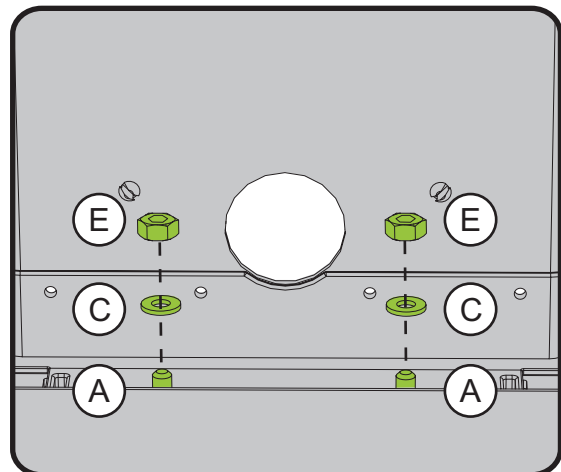


## Use Hardware to Permanently Attach Base of Trolley Frame to Tech Tub<sup>2</sup>®

Hardware is installed through bottom back section of Tech Tub<sup>2</sup>®



Bottom View



Inside View



3

Actual Size:



G  
2x



F  
2x

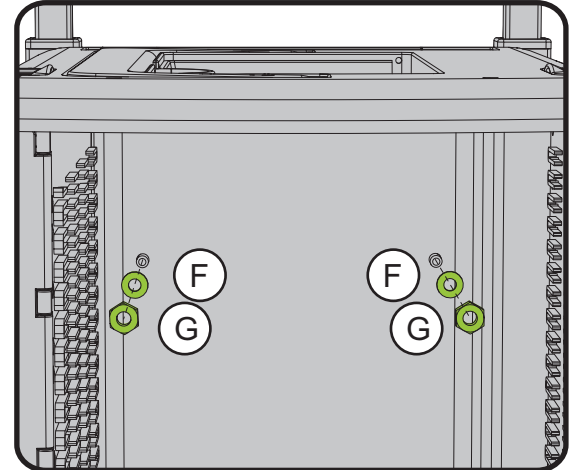
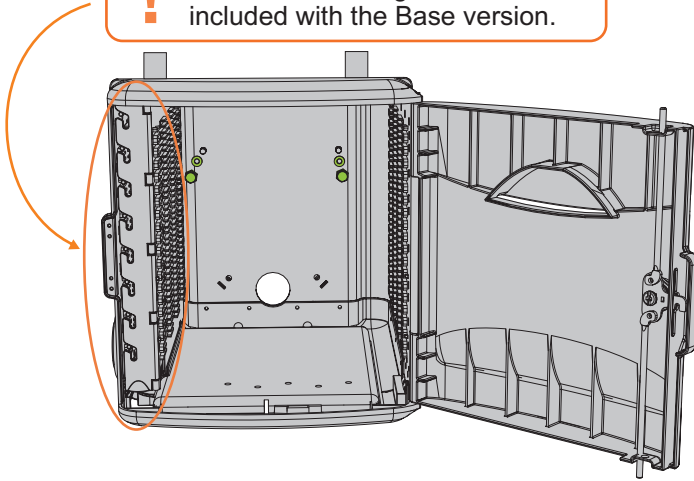
You will need: (Not to Scale)

Adjustable wrench  
1x



### Use Hardware to Permanently Attach Uprights of Trolley Frame to Tech Tub<sup>2</sup><sup>®</sup> Hardware is installed through inside of Tech Tub<sup>2</sup><sup>®</sup>

! The side cable organizer is NOT included with the Base version.



Inside View

4

Actual Size:



B  
2x

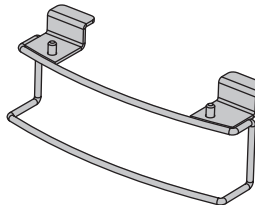


D  
2x



C  
2x

You will need: (Not to Scale)

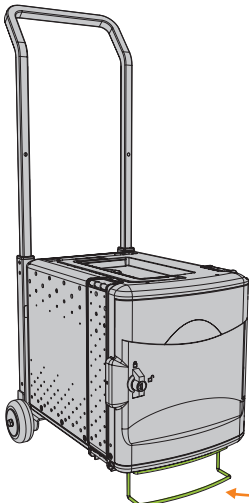


Front Support  
x1

Adjustable wrench  
1x

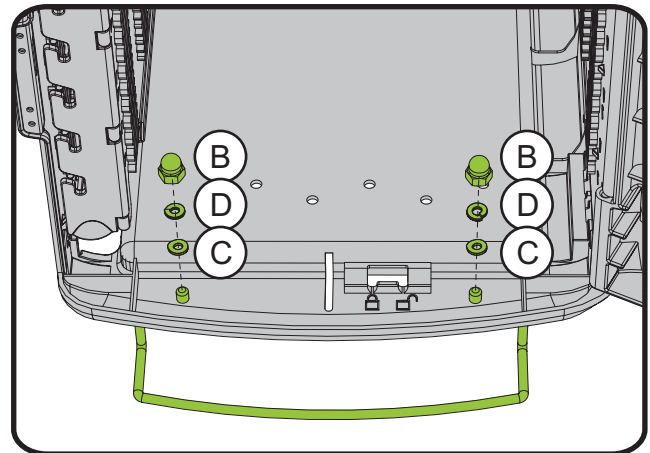


### Attach Front Support to Bottom of Tech Tub<sup>2</sup><sup>®</sup>



★ Tighten all hardware.  
Be sure not to over tighten.

Note Orientation of Front Support



For Tech Tub<sup>2</sup><sup>®</sup> - 6 device set up follow the assembly guide found in the tub shipping box.

1

Actual Size:



You will need: (Not to Scale)

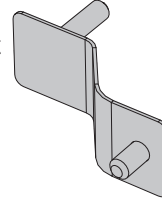
Adjustable wrench  
1x



Allen Key  
Not to Scale  
1x



Extension Bracket  
x2

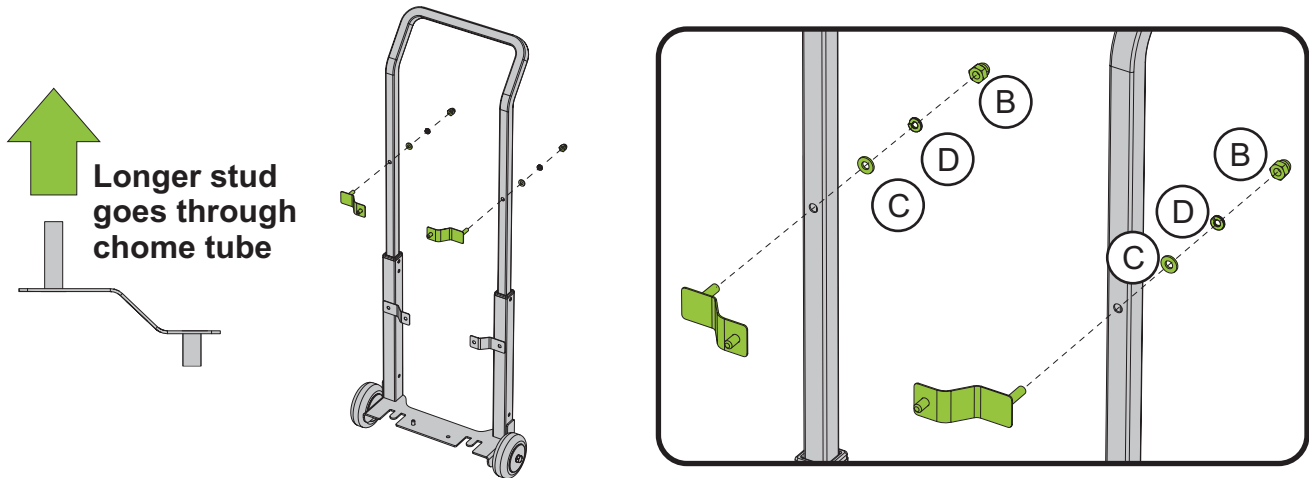


Trolley Frame  
x1



## Attach Extension Brackets to Trolley Frame

Pay attention to orientation of brackets when installing



2

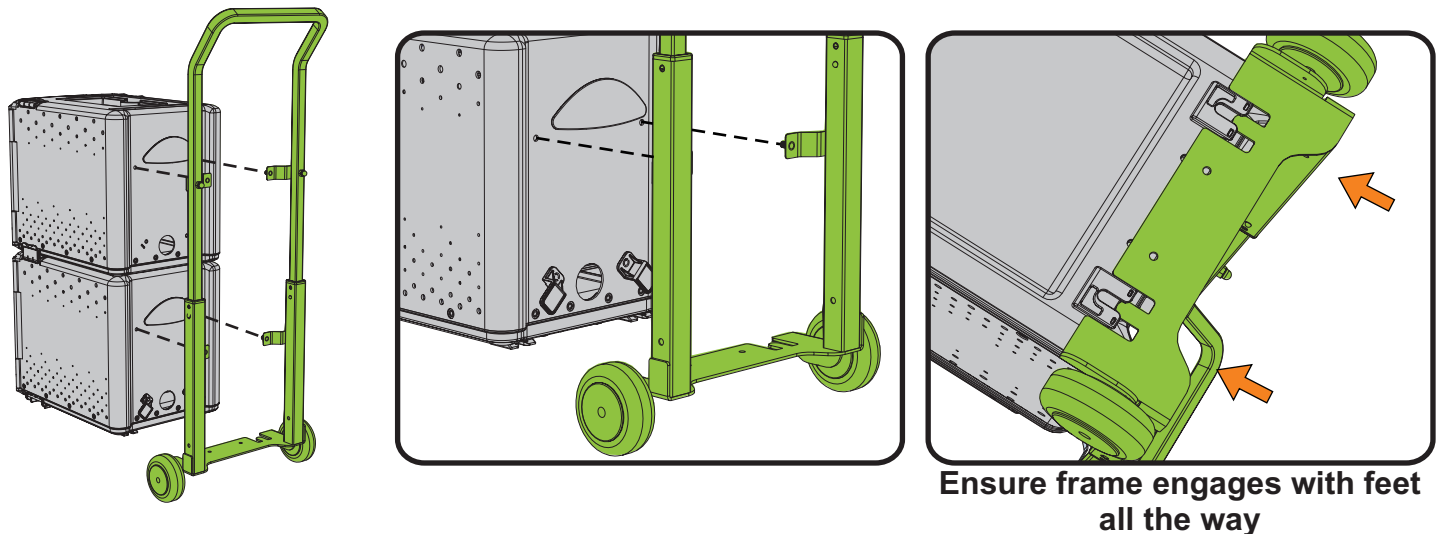
You will need: (Not to Scale)

Trolley Frame  
x1



## Slide Trolley Frame into Tech Tub<sup>2</sup>®

Make sure screws on Trolley Frame align with holes on Tech Tub<sup>2</sup>®



3

Actual Size:



You will need: (Not to Scale)

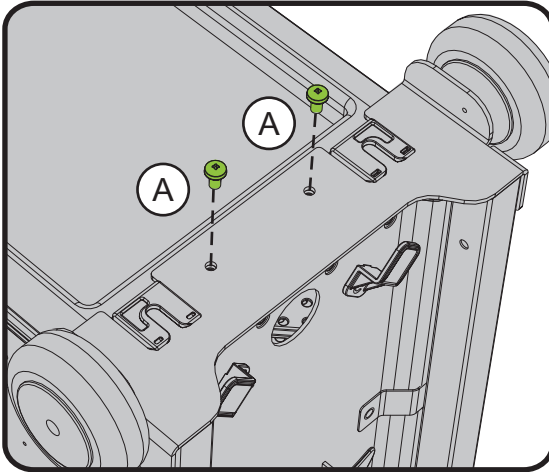
Adjustable wrench  
or 10mm wrench  
1x



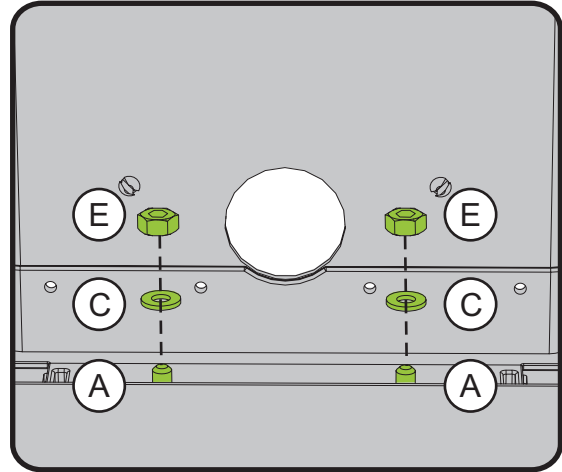
Allen Key  
Not to Scale  
1x



**Use Hardware to Permanently Attach Base of Trolley Frame to Tech Tub<sup>2</sup>**  
Hardware is installed through bottom back section of Tech Tub<sup>2</sup>



Bottom View



Inside View

4

Actual Size:

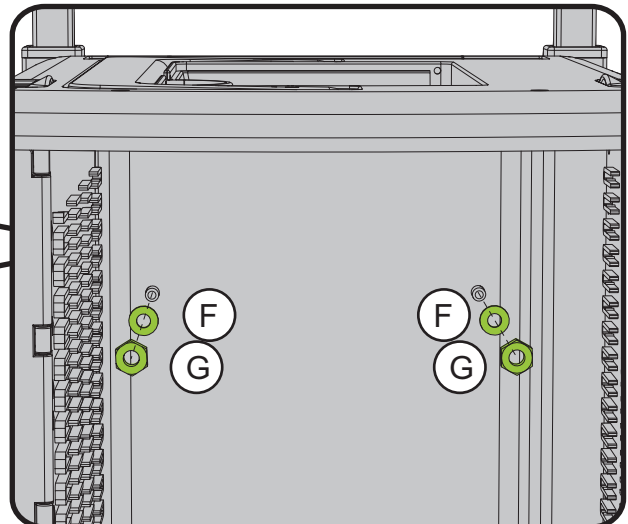
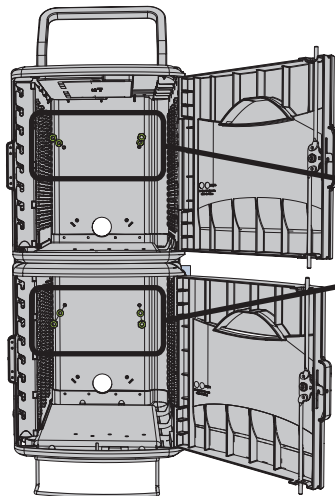


You will need: (Not to Scale)

Adjustable wrench  
1x



**Use Hardware to Permanently Attach Uprights of Trolley Frame to Tech Tub<sup>2</sup>**  
Hardware is installed through inside of Tech Tub<sup>2</sup>



5

Actual Size:



B  
2x



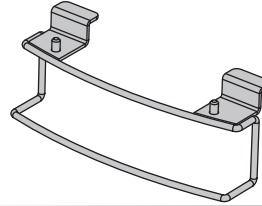
D  
2x



C  
2x

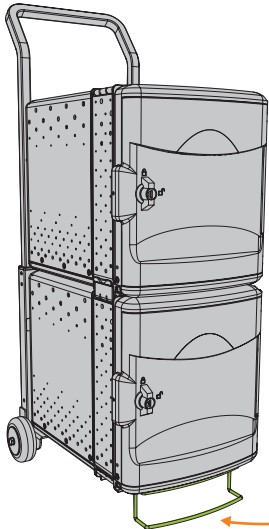
You will need: (Not to Scale)

Adjustable wrench  
or 10mm wrench  
1x



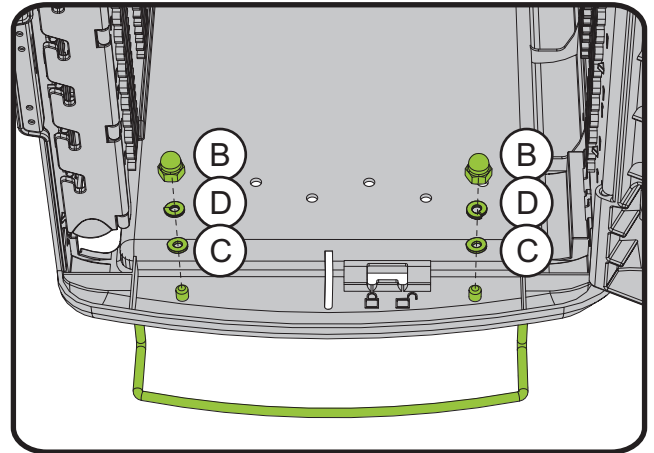
Front Support  
x1

### Attach Front Support to bottom of Tech Tub<sup>2</sup>



★ Tighten all hardware.  
Be sure not to over tighten.

Note Orientation of Front Support



For Tech Tub<sup>2</sup> - 10 device set up follow the assembly guide found in the tub shipping box.

# Touchboards

205 Westwood Ave, Long Branch, NJ 07740

Phone: 866-94 BOARDS (26273) / (732)-222-1511

Fax: (732)-222-7088 | E-mail: [sales@touchboards.com](mailto:sales@touchboards.com)