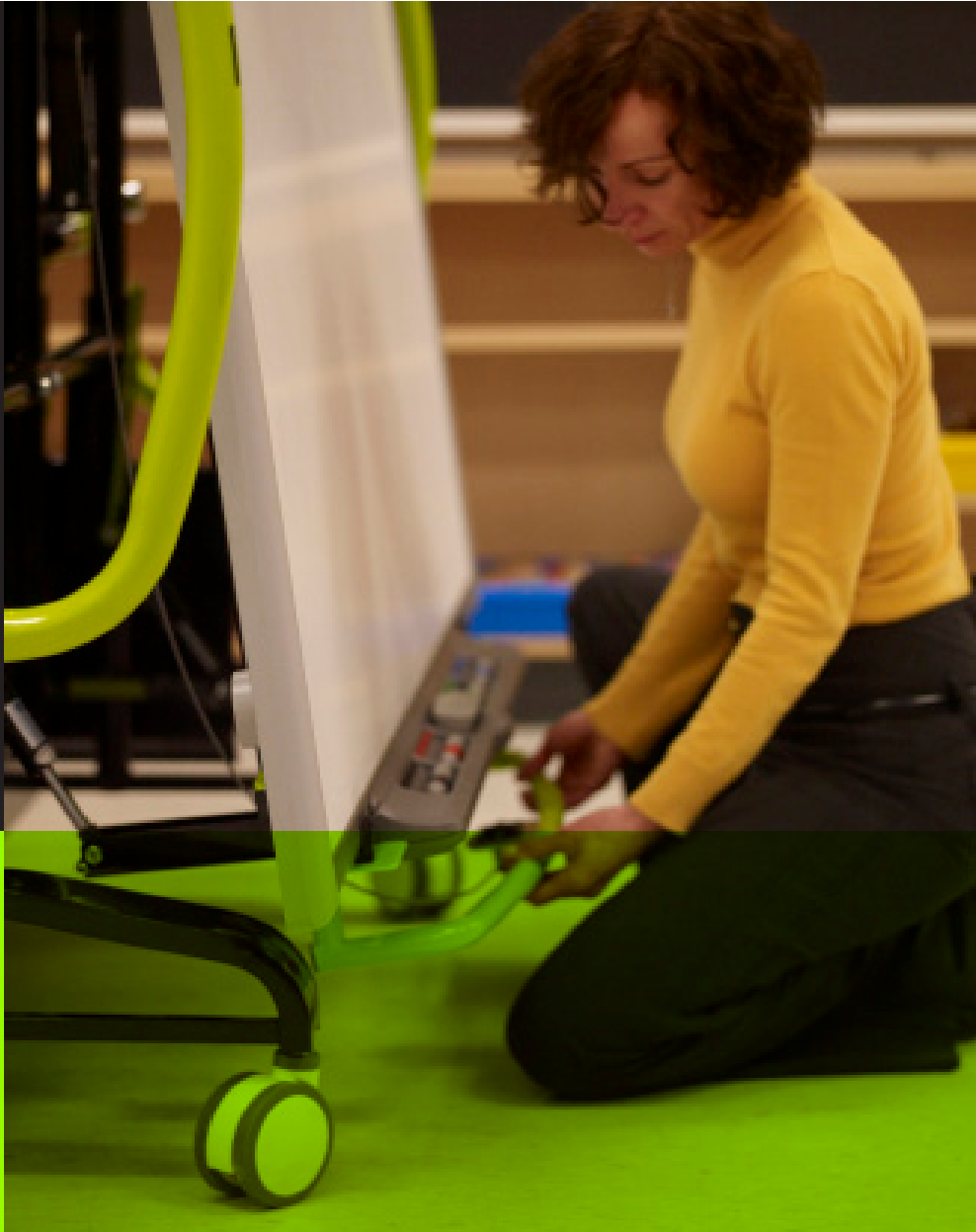


iRover²

by Copernicus

- 2 - 9 iRover² Premium Model and Base Model Sell Sheet

- 10 - 16 Product Specification Details



Touchboards

205 Westwood Ave, Long Branch, NJ 07740
Phone: 866-94 BOARDS (26273) / (732)-222-1511
Fax: (732)-222-7088 | E-mail: sales@touchboards.com

iRover²



As mobile as your imagination.

The new iRover² by Copernicus continues to build on the success of the Interactive-Rover product family.

By including unique features, the iRover² delivers full classroom mobility, adjustable board height options and introduces a new board tilting system. Other new features include a universal projector mount, rear facing magnetic dry erase whiteboard, secure locking box and storage tubs.

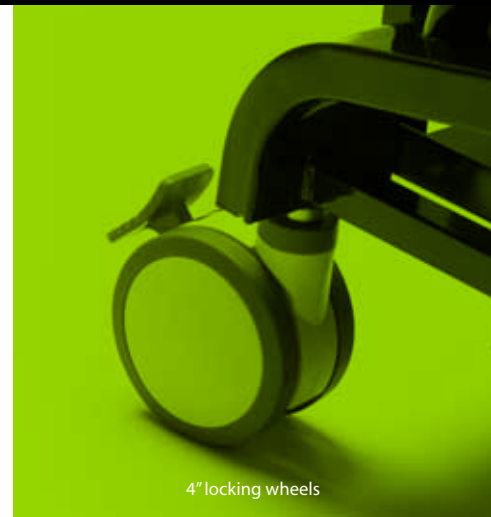
We believe in developing solutions that make teaching a little easier. With the new iRover², Copernicus pushes the boundaries of mobile teaching even further.



10° angled board tilting feature



Classroom activity centre



4" locking wheels

Unique board tilting mechanism: This new feature delivers a natural and effective way for teachers to engage children in learning activities by ensuring that the board surface is at just the right angle

Adjustable board height: Variable board height options have been developed to accommodate the requirements of special needs, ECE, elementary and high school students

Classroom activity center: The iRover² has been developed as an all purpose unit allowing students to interact with a digital board on one side and traditional dry erase board on the other. Teaching supplies are kept close at hand in the stubby storage trays with a laptop, CPU or other technology devices locked away in a secure lock box



Flexible, far-reaching and interactive.

The new and versatile iRover² is a modular unit that supports Short Throw and Ultra Short Throw Projectors.

Available in two configurations, the iRover² meets the needs of teachers and students alike by creating a unique technological and traditional learning environment.



Base Model

The iRover² Base Model features:

- **Height adjustment.** With a 17" range, boards can be adjusted to view at high and low levels
- **Tilting board.** Boards can be viewed perpendicular to the floor or angled at 10° in the lower height positions
- **Laptop arm.** Fits securely onto the handle of the frame and can be stored away on the side of the cart. Tray is suitable for all standard laptop sizes
- **Universal projector mount** with your choice of short throw and ultra short throw projectors
- **Universal mounting brackets.** Allows for the use of multiple board sizes on one frame. Brackets securely clamp around most IWBs including Smart or Promethean and other interactive whiteboards
- **4" locking wheels** for improved maneuverability. Wheels swivel and lock in two directions and are pinch point free
- **Cable management system**
- **Power bar** with an 8" cord and six outlets
- **Ergonomic handles**
- **Large storage shelf**
- **Fits through most doorways**
- **Touch Pointer holder...**

...and most importantly, an on-the-move **horn!**



Premium Model

The iRover² Premium Model includes all the features outlined in the Base Model plus:

- **A lock box** including 2 keys for added security. Suitable for accommodating CPUs, laptops and other devices
- **Tubs with storage frame.** Metal frame holds 3 stubby tubbies and one open tub
- **Rear facing magnetic dry erase whiteboard.** Extra surface for students to undertake individual or group activities. Can also be used as a memo board and is ideal for traditional lessons



Both configurations are covered by a five-year limited warranty



Premium Model iRover² with Ultra Short Throw Arm and tilted board

Touchboards

205 Westwood Ave, Long Branch, NJ 07740
 Phone: 866-94 BOARDS (26273) / (732)-222-1511
 Fax: (732)-222-7088 | E-mail: sales@touchboards.com

iRover² Ultra Short Throw Arm

Physical Specifications for Stand Only (Minimum Position):

- Projector Ultra Short-Throw arm extended for use:
51.125"W x 75.75"H x 66.125"D (130 cm W x 192.5 cm H x 168 cm D)
- Projector Ultra Short-Throw arm extended for use with the Frame Tilted Out:
50.75"W x 75.75"H x 66.125"D (129 cm W x 192.5 cm H x 168 cm D)
- Projector Ultra Short-Throw arm folded to side for storage:
31"W x 73.75"H x 65.75"D (82 cm W x 192.5 cm H x 168 cm D)

Physical Specifications for Stand Only (Maximum Position):

- Projector Ultra Short-Throw arm extended for use:
59.5"W x 97.75"H x 91"D (151.3 cm W x 248.3 cm H x 231.1 cm D)
- Projector Ultra Short-Throw arm folded to side for storage:
32.25"W x 97.75"H x 91"D (82 cm W x 248.3 cm H x 231.1 cm D)

The board cannot be tilted when in highest height position

iRover² Short Throw Arm

Physical Specifications for Stand Only (Minimum Position):

- Projector Short-Throw arm extended for use:
71"W x 76.25"H x 66.125"D (180.3 cm W x 193.7 cm H x 168 cm D)
- Projector Short-Throw arm extended for use with the Frame Tilted Out:
69.5"W x 82.5"H x 66.125"D (176.5 cm W x 209.6 cm H x 168 cm D)
- Projector Short-Throw arm folded to side for storage:
32.25"W x 76.25"H x 83"D (82 cm W x 193.7 cm H x 210.8 cm D)

Physical Specifications for Stand Only (Maximum Position):

- Projector Short-Throw arm extended for use:
95.75"W x 100.75"H x 91"D (243.2 cm W x 255.9 cm H x 231.1 cm D)
- Projector Short-Throw arm folded to side for storage:
32.25"W x 100.75"H x 108"D (82 cm W x 255.9 cm H x 274.3 cm D)

The board cannot be tilted when in highest height position

Premium Model iRover² with Ultra Short Throw Arm and magnetic dry erase whiteboard.



Product Features	Spec Details	Key sizes (Inches)	Key sizes (Centimeters)
Expandable mounting brackets	Mounts a range of different 4:3 or 16:10 sized boards	The board thickness allowance is from 3/4" up to 1-7/8"	The board thickness allowance is from 1.9 cm up to 4.8 cm
Lock Box		Outer dimension: 20"W x 18.875" H x 15.25" D Inside dimension: 15.25" W x 13" H x 14.25" D	Outer dimension: 50.8 cm W x 48 cm H x 38.6 cm D Inside dimension: 38.8 cm W x 33.2 cm H x 36.2 cm D
Laptop arm		16.5"W x 11.75"D	41.9 cm W x 29.8 cm D
Tub frame		14.375"W x 19" H x 15"D	36.5 cm W x 48.3 cm H x 38.1 cm D
Stability		Wide leg base (from leg to leg): 46.875"W x 30" D	Wide leg base (from leg to leg): 119.1 cm W x 76.2 cm D
Rear magnetic whiteboard		40.75"W x 21.25" H	103.5 cm W x 54.1 cm H

A world of new features...



17" adjustable board height



10° angle board tilting feature



Removable laptop tray



Laptop tray side storage



Magnetic rear whiteboard



Collapsible arm safety feature. Arm also turns for movement through doorways



Tub Frame. Holds three stubby tubbies and one open tub



Secure vented lock box



Power bar with 8" cord and six outlets



Ergonomic handles



Touch Pointer storage hook



On-the-move horn!



“You can’t direct the wind,
but you can adjust the sails.”

- Anon

Available at

Copernicus Educational Products Inc.

Canada

8194 County Road 109, R.R. #3
Arthur, ON N0G 1A0

USA

MPB#459, 60 Industrial Pkwy
Cheektowaga, NY 14227

P: 1-519 848 3664 / Toll free: 1-800 267 8494

F: 1-519 848 5516

E: info@copernicused.com

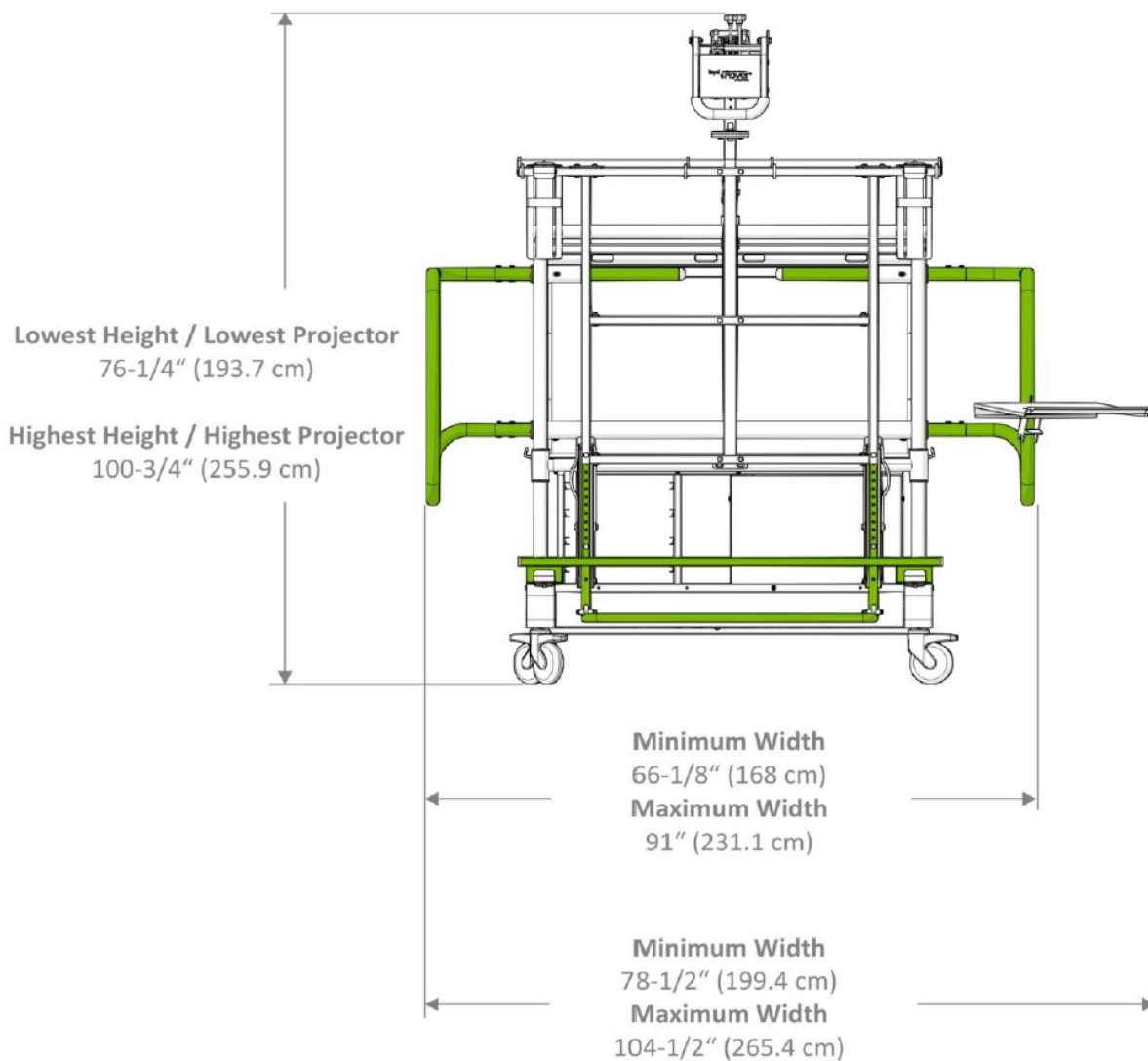
W: www.copernicused.com

iRover²

by Copernicus

Short Throw Arm Specifications

Short Throw Arm (Front View)

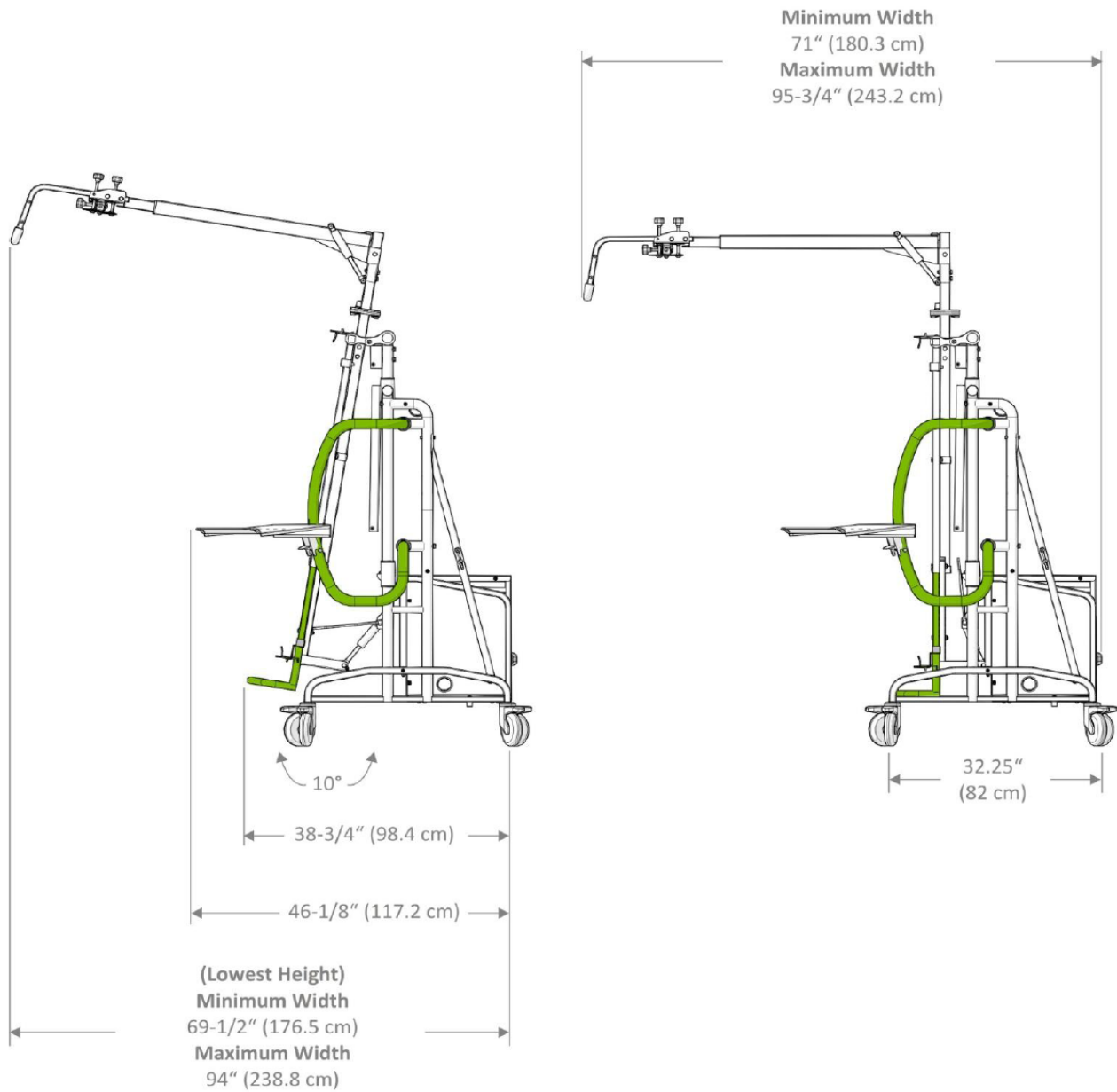


All dimensions +/- 1/8" (.32 cm). All weights +/- 2 lbs. (0.9 kg).

iRover²

by Copernicus

Short Throw Arm (Side View)



All dimensions +/- 1/8" (.32 cm). All weights +/- 2 lbs. (0.9 kg).

Warranty:

Five-year limited frame/equipment warranty (excludes projectors and electrical cords, etc.).

iRover² Options:

Base Unit: The Base unit includes the Main Frame, Projector Arm, and Laptop Arm.

Premium Unit: The Premium unit includes all Base unit features plus - Lock Box, Tub Frame, and Rear Whiteboard.

Physical Specifications for Stand Only (Minimum Position):

- Projector Short-Throw arm extended for use:
180.3 cm W x 193.7 cm H x 168 cm D (71"W x 76.25"H x 66.125"D)
- Projector Short-Throw arm extended for use with the Frame Tilted Out:
176.5 cm W x 209.6 cm H x 168 cm D (69.5"W x 82.5"H x 66.125"D)
- Projector Short-Throw arm folded to side for storage:
82 cm W x 193.7 cm H x 210.8 cm D (32.25"W x 76.25"H x 83"D)

Physical Specifications for Stand Only (Maximum Position):

- Projector Short-Throw arm extended for use:
243.2 cm W x 255.9 cm H x 231.1 cm D (95.75"W x 100.75"H x 91"D)
- Projector Short-Throw arm folded to side for storage:
82 cm W x 255.9 cm H x 274.3 cm D (32.25"W x 100.75"H x 108"D)

The Board cannot be tilted when in highest height position

Product Features:

Expandable Mounting Brackets:

Mount a range of different 4:3 or 16:10 sized boards on one frame using the adjustable board mounting brackets. Brackets clamp securely around 600 and 800 series SMARTBoard, Promethean, and Copernicus Dry Erase Boards, and feature rubber insulation to protect board's edges and minimize vibrations. The board thickness allowance is from 3/4" (1.9 cm) up to 1-7/8" (4.8 cm).

Projector Arm (IWB-4):

Locking and adjustable mechanism allows arm to be easily moved with one hand. Rotates counter-clockwise, stops at 90 degree increments to move through doorways. Universal multimount plate supports a range of projectors. Check compatibility chart on for current supported projectors.

Lock Box (IWB-7):

Outer dimension measures 50.8 cm W x 48 cm H x 38.6 cm D (20"W x 18.875"H x 15.25"D), inside dimensions measures 38.8 cm W x 33.2 cm H x 36.2 cm D (15.25"W x 13"H x 14.25"D). Made of dent resistant metal and powder coat finish. Features 1/4 turn locking fastener with key(s) for security, and can accommodate CPU. Cable and vent holes are 4.8 cm H (1.875") on sides of box and on top.

Laptop Arm (IWB-LA)

Removable tray, when in use fits on the handle. Measures 41.9 cm W x 29.8 cm D (16.5"W x 11.75 D). Made of durable metal, with powder coated finish. When not in use hangs on to the side of the cart.

Tub Frame (IWB-9):

Measures 36.5 cm W x 48.3 cm H x 38.1 cm D (14.375"W x 19"H x 15"D). Holds 3 stubby tubbies and 1 open tubs. Made of durable metal with powder coat finish.

Mobility:

10 cm (4") twin swivel wheel, total lock brake; locks the swivel and the roll in two directions. Holds the unit securely in position. Brakes only on back two casters. Casters feature a pinch point free break.

Stability:

Wide leg base of 119.1 cm W x 76.2 cm D (46.875"W x 30"D) from leg to leg adds stability to unit. When moving, weight is transferred to lowest position (board, arm, etc), making it more stable and safe to move. Projector Arm locks into place when moving and laptop arm hangs on side of the cart.

Please ensure your iRover² is moved with two people.

Cable Management / Wire Management:

All cables route down the back side of the iRover². A black plastic cable management channel on the back houses the VGA cable, to route it along the back of the unit to the laptop or computer source. Labelling tags are included to help you identify your different cables.

Rear Whiteboard (IWB-8):

Extra surface is provided for the teacher or student for small group activities or as a memo board. The board is magnetic and dry erase. The dimensions of the whiteboard are 103.5 cm W x 54.1 cm H (40.75" W x 21.25" H).

Power Specifications:

Seven outlet receptacle power bar included. Accommodates 720 Joule energy rating to provide max protection for all your sensitive electronics, 48000A Surge Current. 12' power cord delivers safe AC power through a 14-gauge heavy-duty cord. Surge protector filters EMI/RFI. Power Bar Certifications - CSA/CE.

Maximum Weight for Unit:

- **Laptop Tray:** Recommended maximum weight of 20 lbs. (On Tray)
- **Tub Frame:** Recommended maximum weight of 20 lbs. (On Top Shelf)
Recommended maximum weight of 5 lbs. (Each Stubby Tubby)
Recommended maximum weight of 10 lbs. (Each Open Tub)
- **Lock Box:** Recommended maximum weight of 50 lbs. (In Box)
- **Bottom Shelf (Base Unit):** Recommended maximum weight of 50 lbs. (On Top Shelf)

Estimated Carton Size & Weights:

	Part No.	Carton Size O.D. W x D x H	Carton Weight	Shipping Size - cu. Ft.	Shipping Weights
Base, Legs	IWB-0	32" x 7.25" x 53.5"	74.98 lbs.	7.18	88.85 lbs.
Upper Frame	IWB-1/IWB-2	29.75" x 8.25" x 50"	51.8 lbs.	7.1	61.07 lbs.
Main Frame	IWB-3	17.5" x 12" x 35.5"	19.18 lbs.	4.31	24.1 lbs.
Short Throw PA	IWB-5	11" x 10.75" x 51.5"	22.73 lbs.	3.52	27.14 lbs.
Lock Box	IWB-7	21.75" x 5.25" x 22.5"		1.49	34.83 lbs.
Rear Whiteboard	IWB-8	25.75" x 12.25" x 45"	38.14 lbs.	8.77	69.23 lbs.
Tub Frame	IWB-9	17.5" x 4" x 21.75"	9 lbs.	0.88	11.27 lbs.
Container Box	IWB-CB	13" x 11.5" x 16"	7 lbs.	1.38	7lbs.
Laptop Arm	IWB-LA	11" x 5.25" x 21"		1.04	10.25lbs.

All dimensions +/- 1/2" (1.27 cm). All weights +/- 2 lbs. (0.9 kg).

Note: Interactive whiteboard(s) and/or projectors are not included with any version of our CEPART.



Copernicus Educational Products Inc.

Canada

8194 County Road 109, R.R. #3
Arthur, ON N0G 1A0

USA

MPB#459, 60 Industrial Pkwy
Cheektowaga, NY 14227

P: 1-519 848 3664 / Toll free: 1-800 267 8494

F: 1-519 848 5516

E: info@copernicused.com

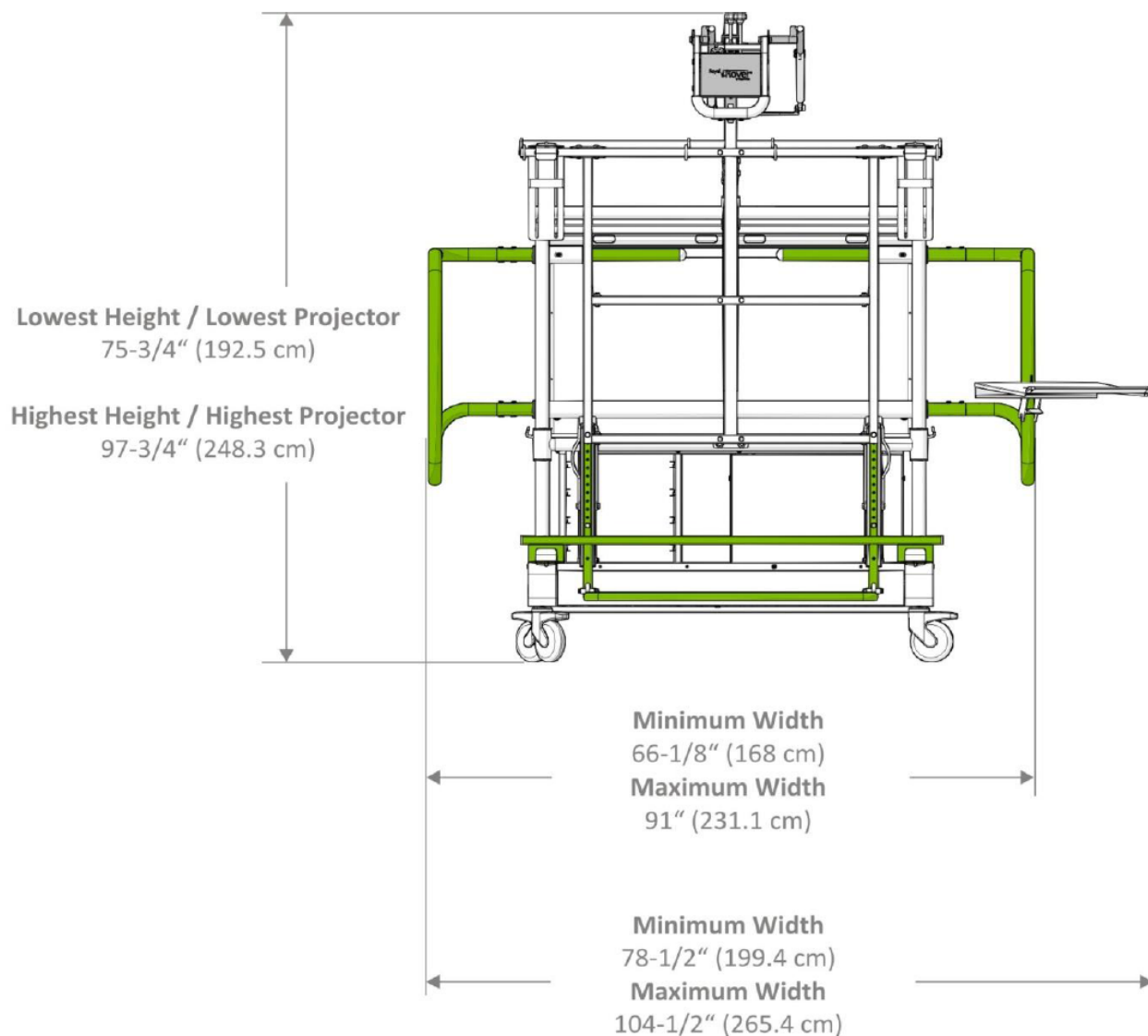
W: www.copernicused.com

iRover²

by Copernicus

Ultra Short Throw Arm Specifications

Ultra Short Throw Arm (Front View)

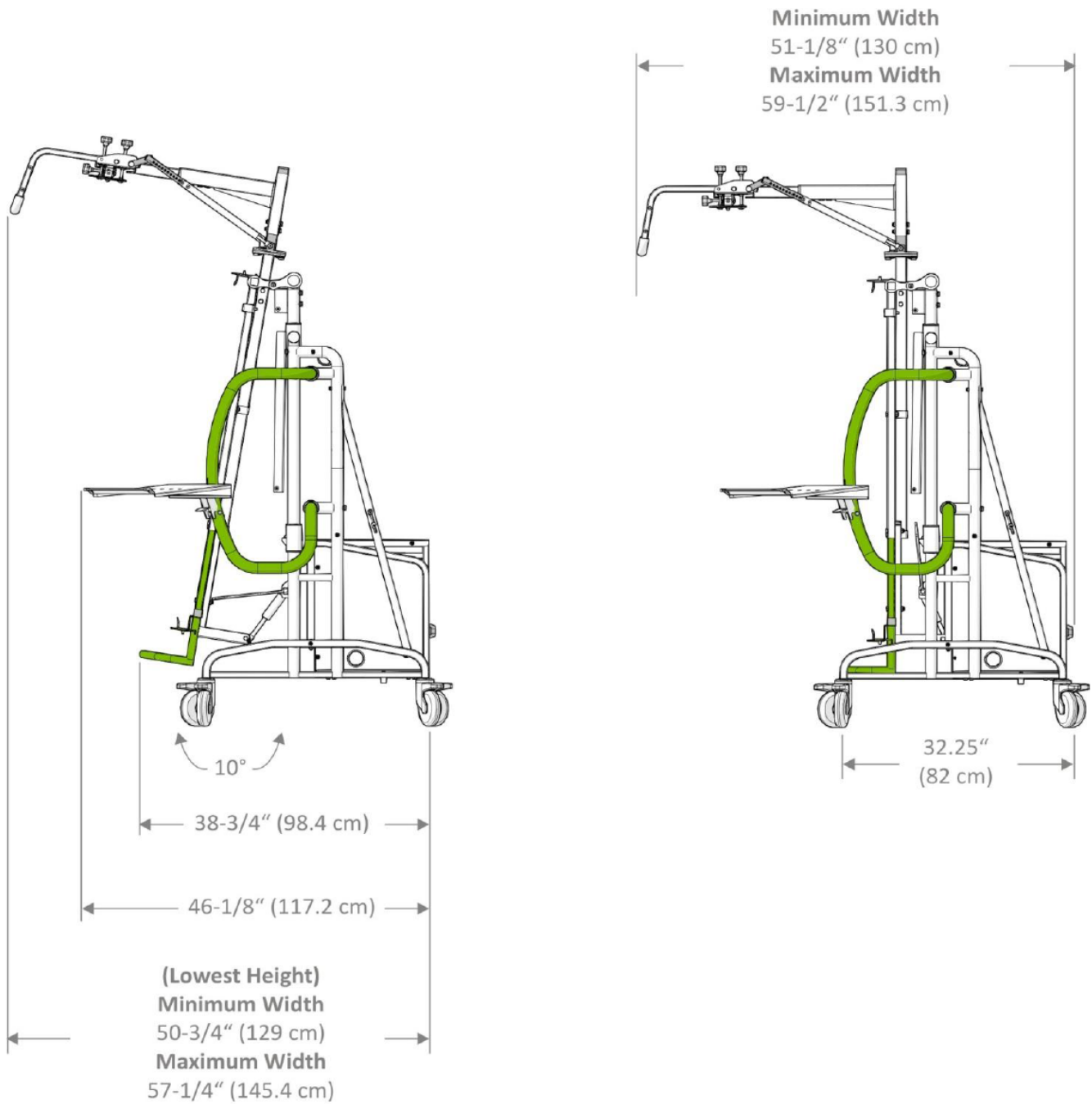


All dimensions +/- 1/8" (.32 cm). All weights +/- 2 lbs. (0.9 kg).

iRover²

by Copernicus

Ultra Short Throw Arm (Side View)



All dimensions +/- 1/8" (.32 cm). All weights +/- 2 lbs. (0.9 kg).

Warranty:

Five-year limited frame/equipment warranty (excludes projectors and electrical cords, etc.).

iRover² Options:

Base Unit: The Base unit includes the Main Frame, Projector Arm, and Laptop Arm.

Premium Unit: The Premium unit includes all Base unit features plus - Lock Box, Tub Frame, and Rear Whiteboard.

Physical Specifications for Stand Only (Minimum Position):

- Projector Ultra Short-Throw arm extended for use:
130 cm W x 192.5 cm H x 168 cm D (51.125"W x 75.75"H x 66.125"D)
- Projector Ultra Short-Throw arm extended for use with the Frame Tilted Out:
129 cm W x 192.5 cm H x 168 cm D (50.75"W x 75.75"H x 66.125"D)
- Projector Ultra Short-Throw arm folded to side for storage:
82 cm W x 192.5 cm H x 168 cm D (32.25"W x 75.75"H x 66.125"D)

Physical Specifications for Stand Only (Maximum Position):

- Projector Ultra Short-Throw arm extended for use:
151.3 cm W x 248.3 cm H x 231.1 cm D (59.5"W x 97.75"H x 91"D)
- Projector Ultra Short-Throw arm folded to side for storage:
82 cm W x 248.3 cm H x 231.1 cm D (32.25"W x 97.75"H x 91"D)

The Board cannot be tilted when in highest height position

Product Features:

Expandable Mounting Brackets:

Mount a range of different 4:3 or 16:10 sized boards on one frame using the adjustable board mounting brackets. Brackets clamp securely around 600 and 800 series SMARTBoard, Promethean, and Copernicus Dry Erase Boards, and feature rubber insulation to protect board's edges and minimize vibrations. The board thickness allowance is from 3/4" (1.9 cm) up to 1-7/8" (4.8 cm).

Projector Arm (IWB-4):

Locking and adjustable mechanism allows arm to be easily moved with one hand. Rotates counter-clockwise, stops at 90 degree increments to move through doorways. Universal multimount plate supports a range of projectors. Check compatibility chart on for current supported projectors.

Lock Box (IWB-7):

Outer dimension measures 50.8 cm W x 48 cm H x 38.6 cm D (20"W x 18.875"H x 15.25"D), inside dimensions measures 38.8 cm W x 33.2 cm H x 36.2 cm D (15.25"W x 13"H x 14.25"D). Made of dent resistant metal and powder coat finish. Features 1/4 turn locking fastener with key(s) for security, and can accommodate CPU. Cable and vent holes are 4.8 cm H (1.875") on sides of box and on top.

Laptop Arm (IWB-LA)

Removable tray, when in use fits on the handle. Measures 41.9 cm W x 29.8 cm D (16.5"W x 11.75 D). Made of durable metal, with powder coated finish. When not in use hangs on to the side of the cart.

Tub Frame (IWB-9):

Measures 36.5 cm W x 48.3 cm H x 38.1 cm D (14.375"W x 19"H x 15"D). Holds 3 stubby tubbies and 1 open tubs. Made of durable metal with powder coat finish.

Mobility:

10 cm (4") twin swivel wheel, total lock brake; locks the swivel and the roll in two directions. Holds the unit securely in position. Brakes only on back two casters. Casters feature a pinch point free break.

Stability:

Wide leg base of 119.1 cm W x 76.2 cm D (46.875"W x 30"D) from leg to leg adds stability to unit. When moving, weight is transferred to lowest position (board, arm, etc), making it more stable and safe to move. Projector Arm locks into place when moving and laptop arm hangs on side of the cart.

Please ensure your iRover² is moved with two people.

Cable Management / Wire Management:

All cables route down the back side of the iRover². All cables route down the back side of the iRover². A black plastic cable management channel on the back houses the VGA cable, to route it along the back of the unit to the laptop or computer source. Labelling tags are included to help you identify your different cables.

Rear Whiteboard (IWB-8):

Extra surface is provided for the teacher or student for small group activities or as a memo board. The board is magnetic and dry erase. The dimensions of the whiteboard are 103.5 cm W x 54.1 cm H (40.75" W x 21.25" H).

Power Specifications:

Seven outlet receptacle power bar included. Accommodates 720 Joule energy rating to provide max protection for all your sensitive electronics, 48000A Surge Current. 12' power cord delivers safe AC power through a 14-gauge heavy-duty cord. Surge protector filters EMI/RFI. Power Bar Certifications - CSA/CE.

Maximum Weight for Unit:

- **Laptop Tray:** Recommended maximum weight of 20 lbs. (On Tray)
- **Tub Frame:** Recommended maximum weight of 20 lbs. (On Top Shelf)
Recommended maximum weight of 5 lbs. (Each Stubby Tubby)
Recommended maximum weight of 10 lbs. (Each Open Tub)
- **Lock Box:** Recommended maximum weight of 50 lbs. (In Box)
- **Bottom Shelf (Base Unit):** Recommended maximum weight of 50 lbs. (On Top Shelf)

Estimated Carton Size & Weights:

	Part No.	Carton Size O.D. W x D x H	Carton Weight	Shipping Size - cu. Ft.	Shipping Weights
Base, Legs	IWB-0	32" x 7.25" x 53.5"	74.98 lbs.	7.18	88.85 lbs.
Upper Frame	IWB-1/IWB-2	29.75" x 8.25" x 50"	51.8 lbs.	7.1	61.07 lbs.
Main Frame	IWB-3	17.5" x 12" x 35.5"	19.18 lbs.	4.31	24.1 lbs.
Ultra Short Throw PA	IWB-4	12.75" x 10.5" x 31.5"	20.35 lbs.	2.44	24.76 lbs.
Lock Box	IWB-7	22" x 5.5" x 25.75"		1.8	34.83 lbs.
Rear Whiteboard	IWB-8	25.75" x 12.25" x 45"	38.14 lbs.	8.77	69.23 lbs.
Tub Frame	IWB-9	17.5" x 4" x 21.75"	9 lbs.	0.88	11.27 lbs.
Container Box	IWB-CB	13" x 11.5" x 16"	7 lbs.	1.38	7lbs.
Laptop Arm	IWB-LA	18.5" x 5" x 19.5"		1.04	10.25lbs.

All dimensions +/- 1/2" (1.27 cm). All weights +/- 2 lbs. (0.9 kg).

Note: Interactive whiteboard(s) and/or projectors are not included with any version of our CEPART.



Copernicus Educational Products Inc.

Canada

8194 County Road 109, R.R. #3
Arthur, ON N0G 1A0

USA

MPB#459, 60 Industrial Pkwy
Cheektowaga, NY 14227

P: 1-519 848 3664 / Toll free: 1-800 267 8494

F: 1-519 848 5516

E: info@copernicused.com

W: www.copernicused.com