

FTT700
FTT700-USB

Tech Tub²® - 6 Device Setup



Assembly Guide

FTT700_FTT700-USB_2020_A

Check out our other products online at
www.copernicused.com

For assistance, please contact us:

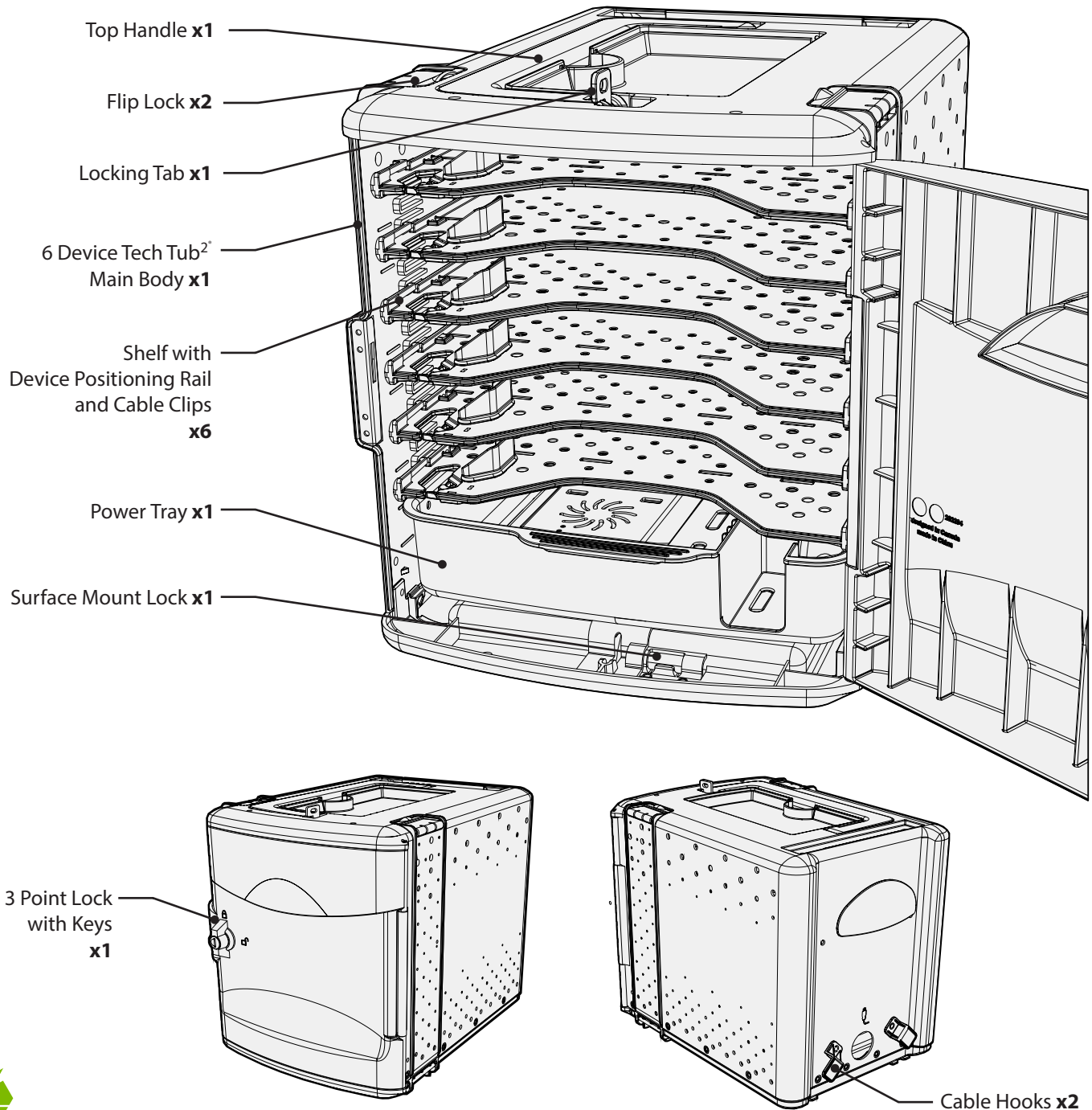
1-800-267-8494

Email info@copernicused.com

Have your packing slip ready for reference

WARNING !

- This product is meant to be assembled by an adult.
- In its unassembled state, small parts present a hazard.
- To be used under direct supervision of an adult.



Please Recycle

Tech Tub²® - 6 Device Setup



Assembly Guide FTT700_FTT700-USB_2020_A

Check out our other products online at
www.copernicused.com

For assistance, please contact us:
:
:
:
:
:
:
1-800-267-8494
Email info@copernicused.com
:
Have your packing slip ready for reference

Dear Educator,

Thank you for purchasing the Tech Tub². We hope it meets all your expectations and you and your students enjoy using it at your school.

If you have any questions, concerns or ideas on how we can improve please let us know by contacting our Customer Solutions Ninjas at 1-800-267-8494 or info@copernicused.com.

Happy teaching,

Kaylyn Belcourt-McCabe
President

We do not inherit the earth from our ancestors, we borrow it from our children.

NORTH AMERICAN
PROVERB

Change is the end result of all true learning.

LEO BUSCAGLIA

What you leave behind is not what is engraved in stone monuments, but what is woven into the lives of others.

PERICLES

Education is the most powerful weapon which you can use to change the world.

NELSON MANDELA



Validate Your Warranty

To validate your warranty, submit the ON-LINE form at www.copernicused.com
Enter a draw to win a Copernicus Product for your classroom at the same time!



Warning! Hazard Risks!

Please read the warnings below for important safety information regarding your product. Failure to read these warnings or to follow the instructions below could result in personal injury or damage to your product that could void your warranty.



Small Parts

In its unassembled state, this product contains parts that can be hazardous to small children. This product should be assembled by an adult.



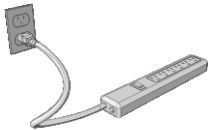
Adult Supervision

This product is to be used under the supervision of an adult.



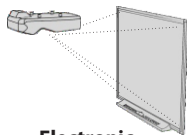
Indoor Use Only

This product is intended for indoor use only. To reduce the risk of fire or electric shock, do not expose this product to rain or moisture. The internal components are not sealed from the environment.



Power Strip Specifications

Read your power strip electrical specifications. Only plug in devices that are approved for use with this power strip. Connect the supplied power strip directly to a wall outlet. **Do not connect to another power strip or use an extension cord.** Unplug when not in use. **Do not leave this product plugged in for more than 72 consecutive hours.** Turn off power strip before unplugging.



Electronic Equipment

Read the electrical specifications of any electronic equipment you are using with your Copernicus products. Failure to read these specifications and follow their instructions could result in damage to your equipment or personal injury.



Cable Trip Hazard

Ensure that any cables extending across the floor to your product are properly bundled and marked to avoid tripping or falling which may lead to personal injury.



Electrical Shock

Do not install or use the electrical components of this unit during a lightning storm.



Climb Hazard

Do not climb on, hang from or suspend objects from any components of your product unless otherwise specified.

Tips for Assembly

Watch for These Helpful Symbols

This symbol denotes a 2 Person Task. For safety, please ensure that there are the suggested number of people working on steps displaying this symbol.



Watch for this symbol throughout the Assembly Guide. Wherever you see it, pay close attention. The symbol denotes a step needing extra attention to ensure it is done correctly.



The star symbol highlights an advisory note.



Before You Begin

- Lay out and identify all of the included parts.
- The hardware has been packed according to step.
- Read the assembly guide over once to familiarize yourself with them.



 Please note that in its unassembled state, this product contains parts that can be hazardous to small children. This product should be assembled by an adult.

As You Assemble the Unit

- Follow the steps in sequence.
- Before beginning each step, find the part(s) that you need for that step.
- Pay attention to the labels on the parts; they are there to help direct you at certain stages.
- The title of each step states what you will be doing. Review the text and the pictures as you build the unit.

Customer Service - FAQ's



For missing parts and other issues regarding this product:

Please call Copernicus Customer Service, where we will be happy to help. 1-800-267-8494. Monday - Friday 8:30am - 4:30 pm EST.

OR

Email our Tech Support Service at info@copernicused.com

Need Tech Support? Have a Question?



Email our Tech Support Service

Check out some of our other great products!

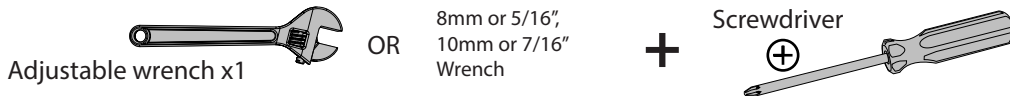


www.copernicused.com

Tech Tub²® - 6 Device Setup

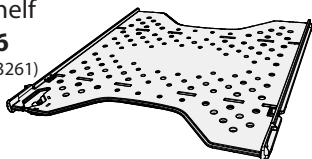
Before beginning, you should have:

Additional tools required:

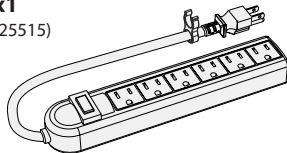


FTT700

Shelf
x6
(23261)



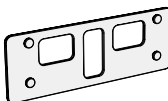
6-Outlet Power Strip
x1
(25515)



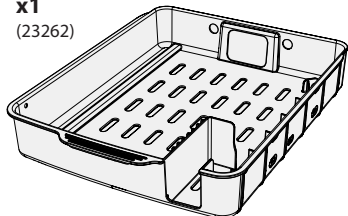
Device Positioning Rail
x6
(23271)



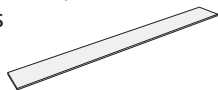
Power Strip Mounting Plate
x1
(23275)



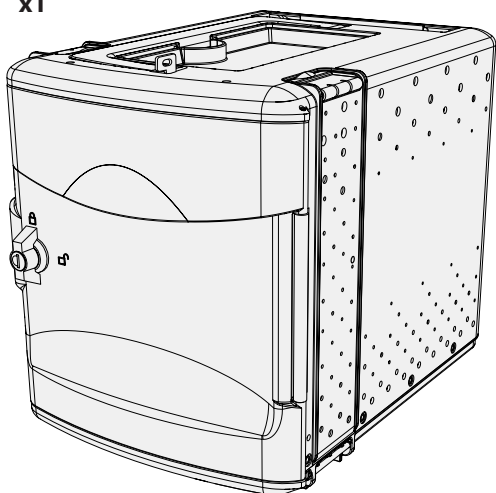
Power Tray
x1
(23262)



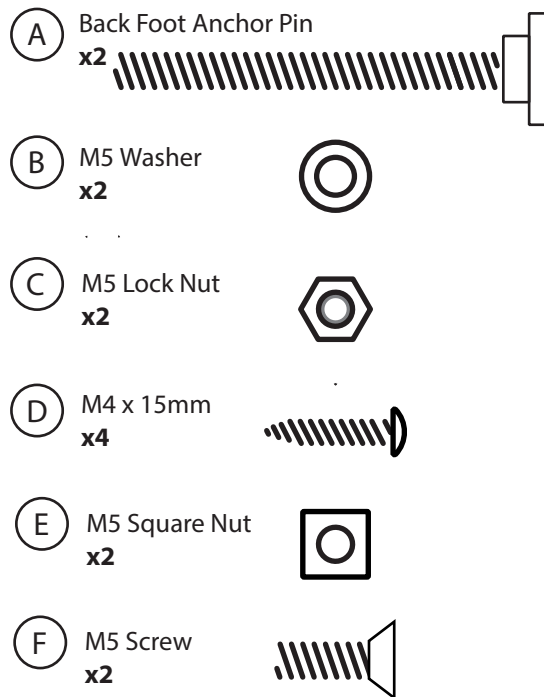
Hook & Loop Straps
x6



6 Device Tech Tub²
Main Body
x1

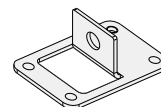


Hardware Actual Size



Not to Scale

Front Pin Bracket
(23275)
x1



Keys
x2



5mm Driver
Allen Key
x1



Tech Tub²® - 6 Device Setup

Before beginning, you should have:

Additional tools required:

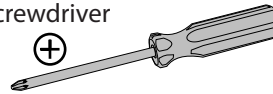


OR

8mm or 5/16",
10mm or 7/16"
Wrench

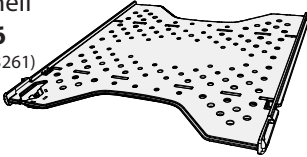
+

Screwdriver

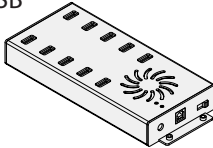


FTT700-C

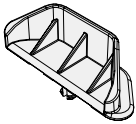
Shelf
x6
(23261)



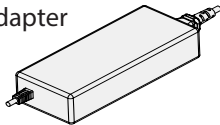
10 Port USB
Hub
(255144)
x1



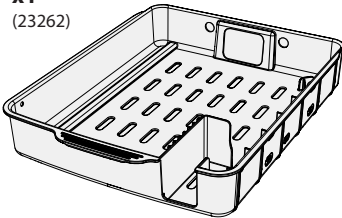
Device Positioning Rail
x6
(23271)



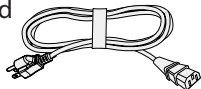
Power Adapter
(255146)
x1



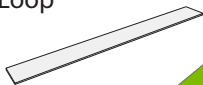
Power Tray
x1
(23262)



Power Cord
x1

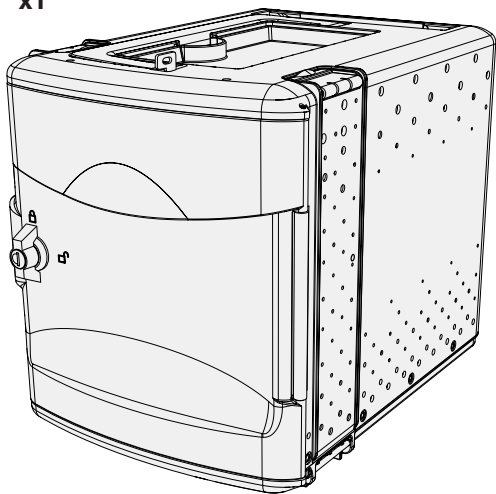


Hook & Loop
Straps
x6









In FTT700-C

6 Device Tech Tub²
Main Body
x1

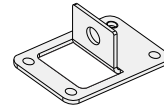


Hardware Actual Size

- (A) Back Foot Anchor Pin
x2 
- (B) M5 Washer
x2 
- (C) M5 Lock Nut
x2 
- (D) M4 x 15mm
x4 
- (E) M5 Square Nut
x2 
- (F) M5 Screw
x2 

Not to Scale

Front Pin Bracket
(23275)
x1



Keys
x2



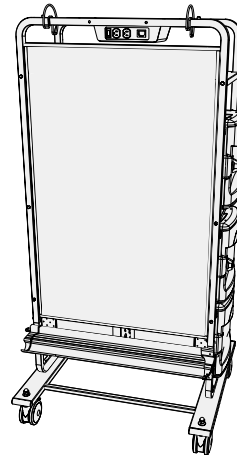
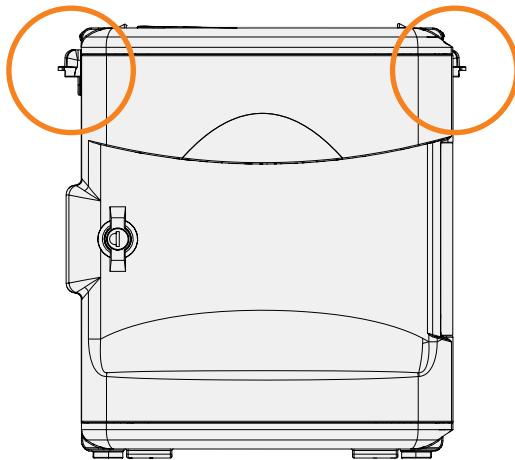
5mm Driver
Allen Key
x1



STOP!

If you purchased the Dual Duty Teaching Easel you will need to install the Tub Rails on your Tech Tub² first, before proceeding with this assembly guide. Please look inside the FTT200 boxes for the Tub Rails Kit and the Tub Rails assembly guide.

If you have not purchased the FTT200, please proceed to the next page to continue setting up your Tech Tub².

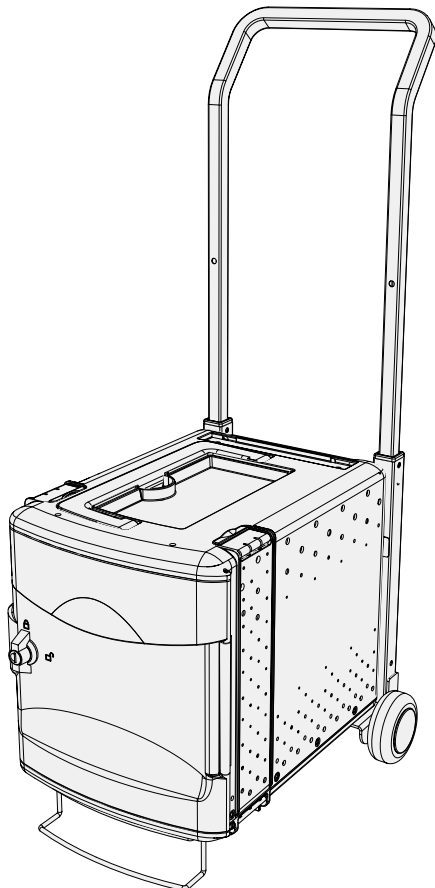


Dual Duty Teaching Easel

STOP!

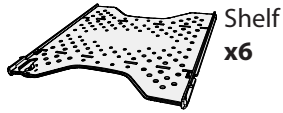
If you purchased the Tech Tub² Trolley you will need to mount your Tech Tub² onto the Trolley Frame first, before proceeding with this assembly guide. Please look inside the Trolley Frame box for the assembly guide that explains how to do this.

If you have not purchased the Tech Tub² Trolley, please proceed to the next page to continue setting up your Tech Tub².



1

You will need: (Not to Scale)



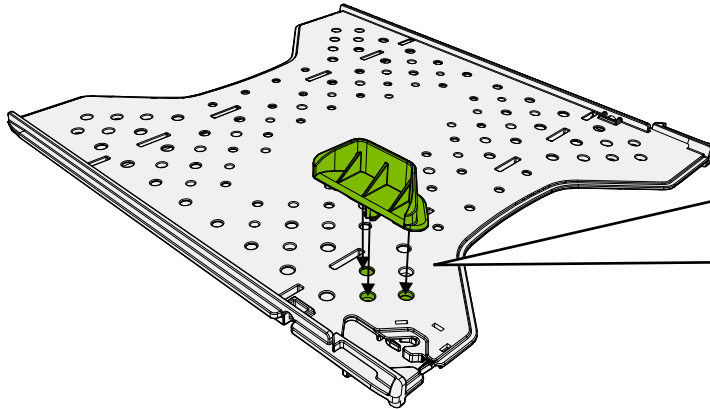
Install Device Positioning Rail into all shelves



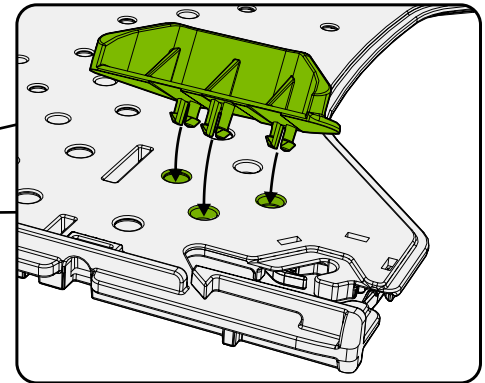
This part helps keep smaller devices away from the cable management area.

If your devices are wider than 8.66in (220mm), please skip this step.

Device positioning rail can be installed or uninstalled at any time.



Press snaps into these holes in shelf



2

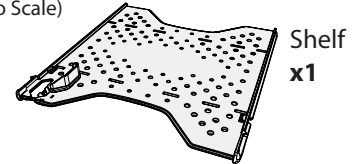
Actual Size:



M5 Square Nut
x2

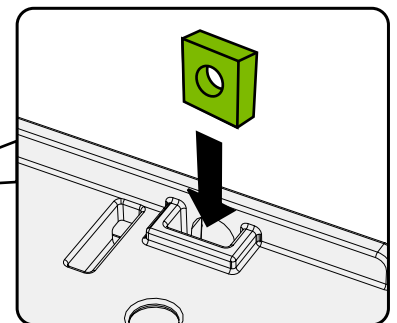
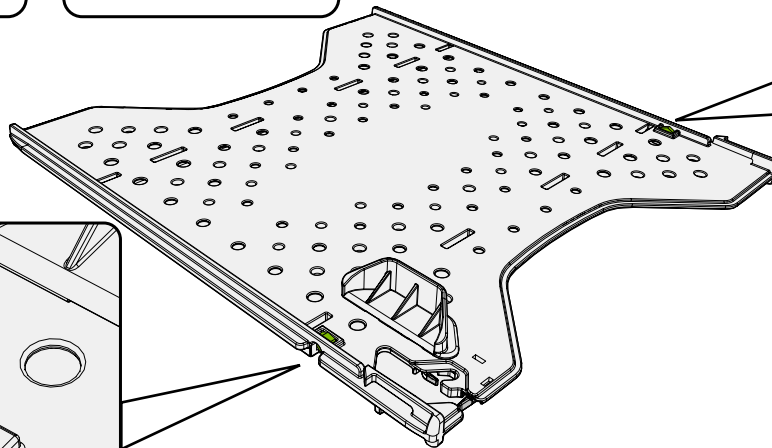
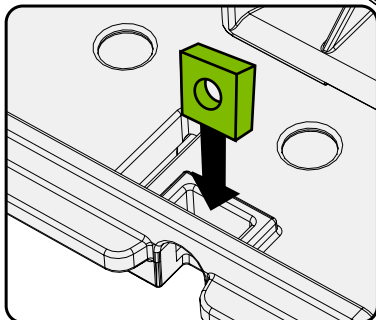
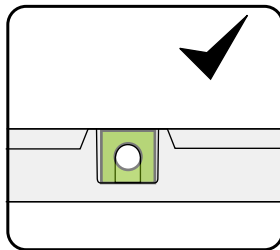
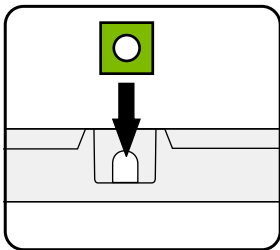


You will need: (Not to Scale)



Install nuts into one shelf

Ensure nut is inserted fully into slot in shelf



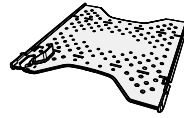
3

Actual Size:

F M5 Screw
x2



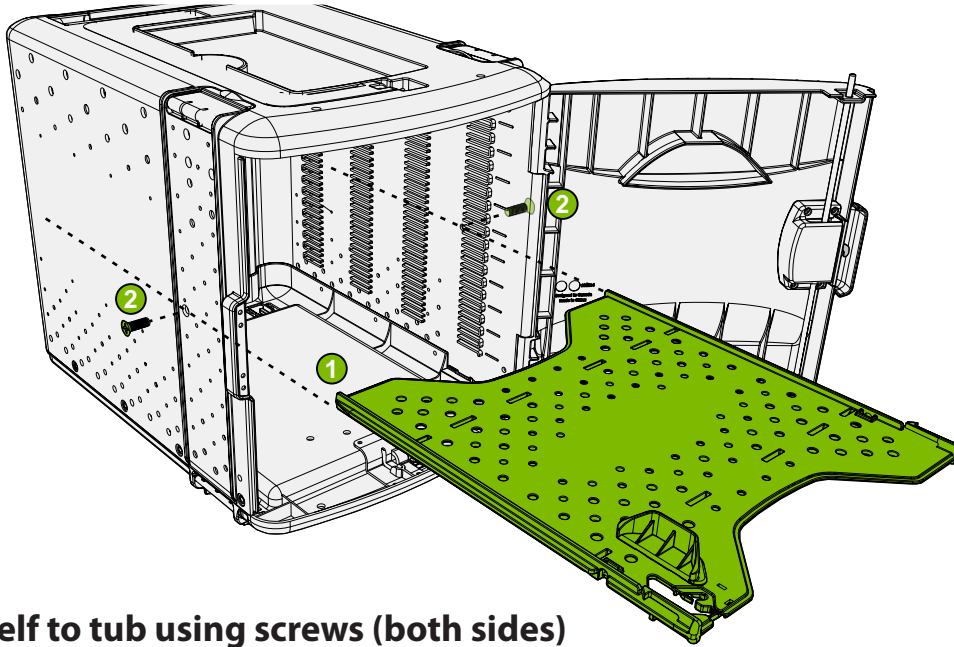
You will need: (Not to Scale)



Shelf
(with M5 square nuts installed from previous step)
x1

Install shelf with nuts into tub

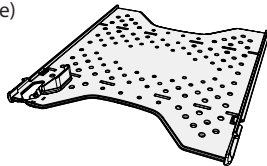
1 Install shelf in middle position (aligned with holes for screws)



2 Fasten shelf to tub using screws (both sides)

4

You will need: (Not to Scale)

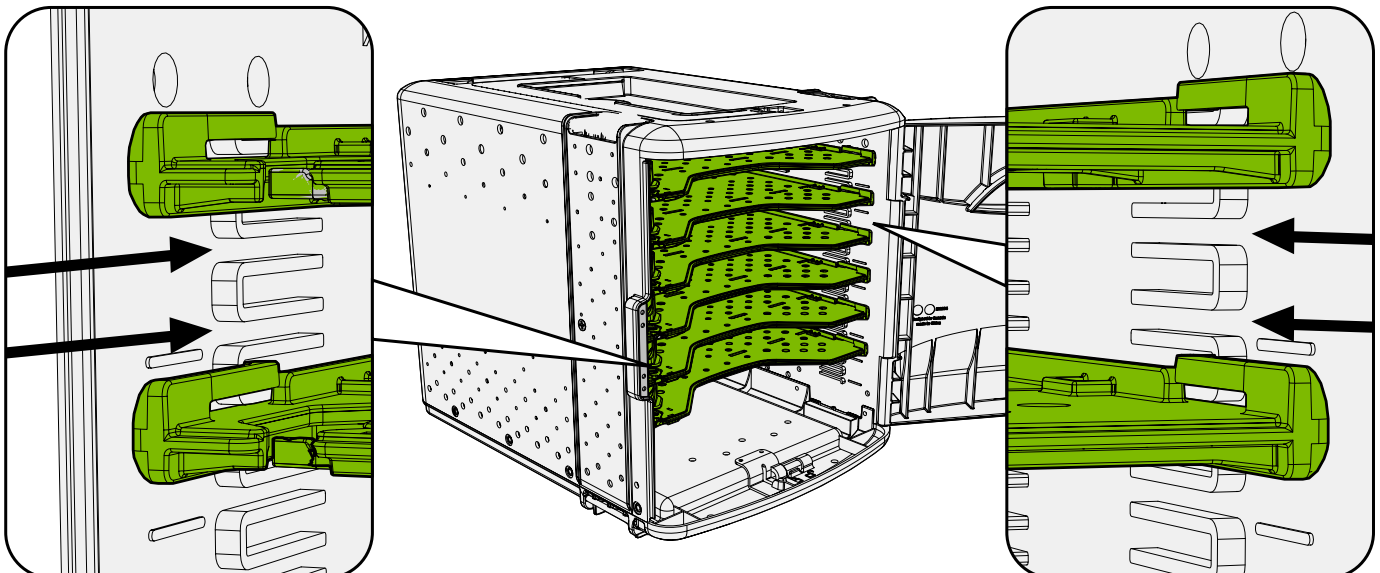


Shelf
x5

Install remaining shelves

1 Install two shelves below middle shelf, leaving two empty slots between each shelf

2 Install remaining three shelves above middle shelf, leaving two empty slots between each shelf





Model Specific Instructions

Please Note:

Steps 5-9 are for Power Strip setup (FTT700)

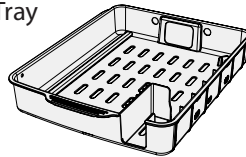
Steps 10&11 are for USB Hub setup (FTT700-C)

5

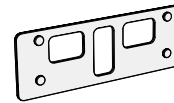
**FTT700
ONLY**

You will need: (Not to Scale)

Power Tray
x1
(23262)



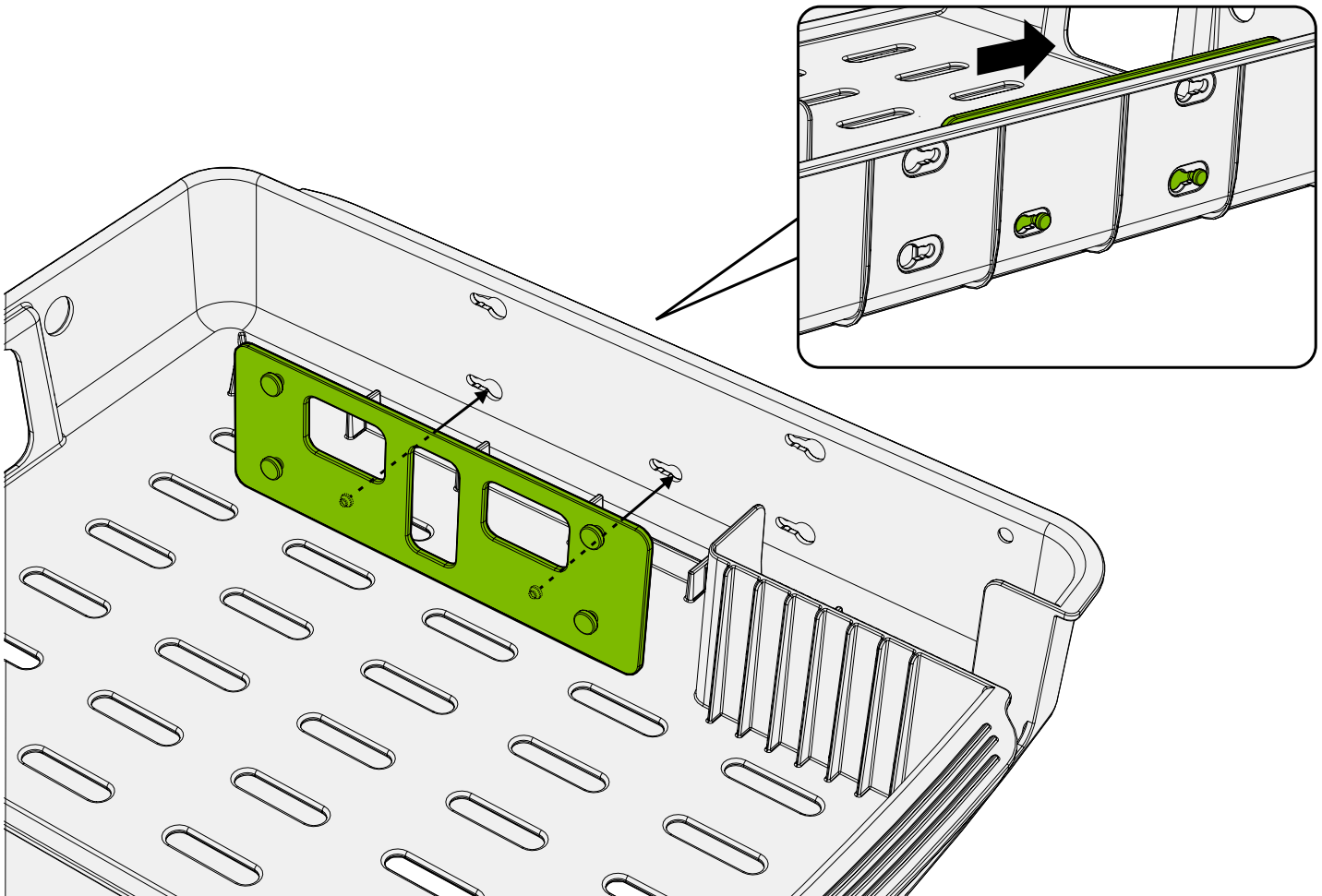
Power Strip Mounting Plate
x1
(23275)



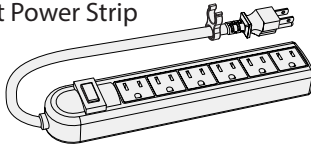
Install Power Strip Mounting Bracket onto Power Tray

1 Insert side with two pegs into keyholes

2 Slide back till you hear a **CLICK!**

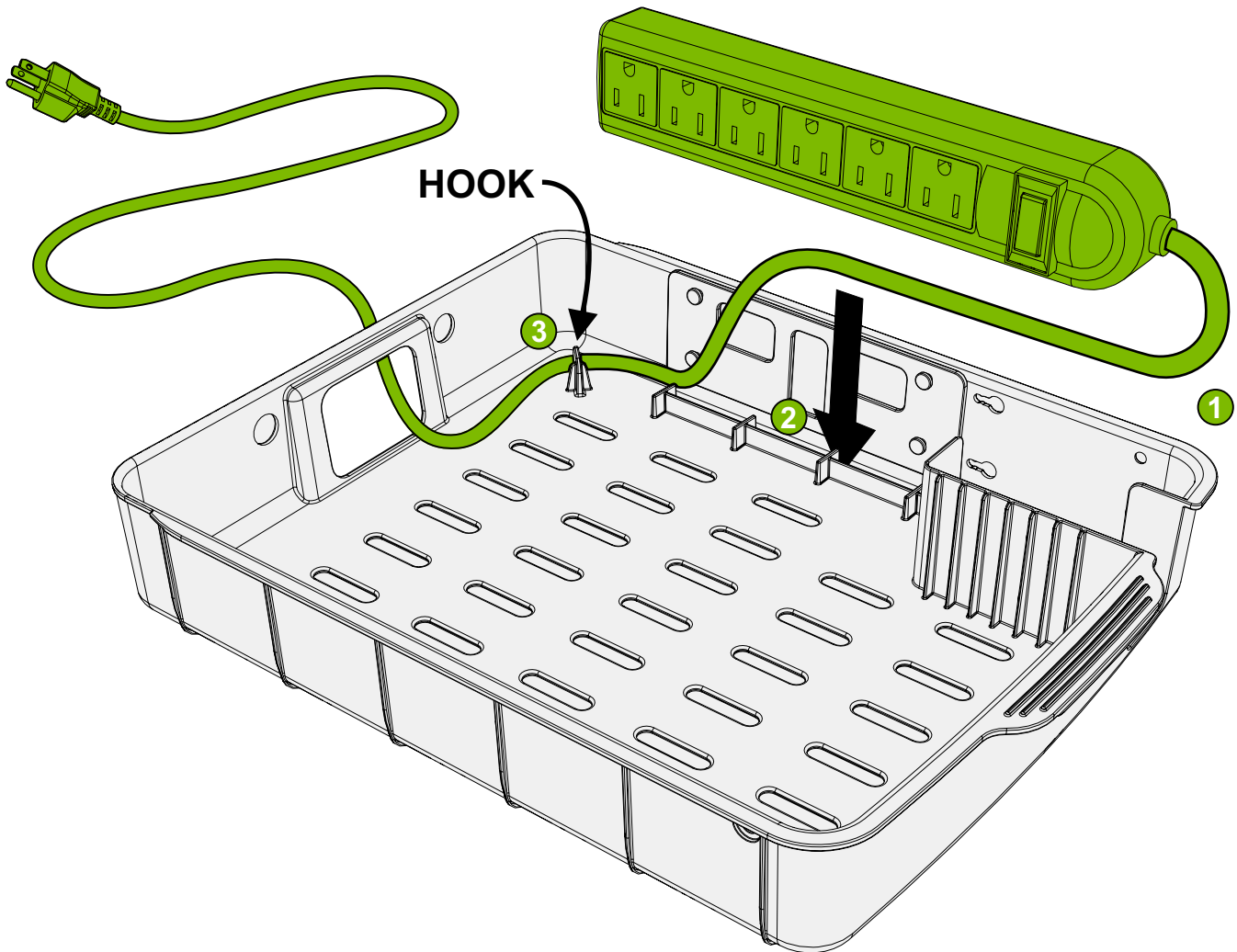


You will need: (Not to Scale)

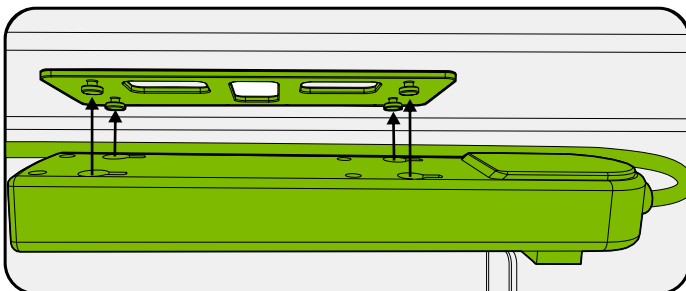
6-Outlet Power Strip
x1
(25515)

Install Power Strip in Power Tray

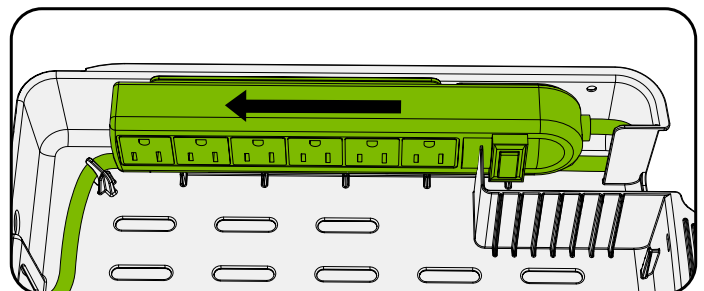
- 1 Loop power cable under power strip as shown
- 2 Fit power cable between ribs and Power Strip Mounting Plate
- 3 Route power cable around hook and out through back of Power Tray



- 4 Fit 4 keyholes on Power Strip over 4 pegs on Power Strip Mounting Plate



- 5 Slide Power Strip back to secure it

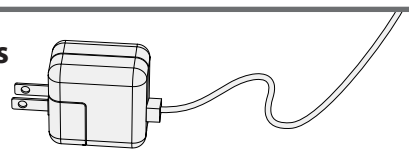


7
FTT700
ONLY

You will need: (Not to Scale)
Hook & Loop
Straps
x6

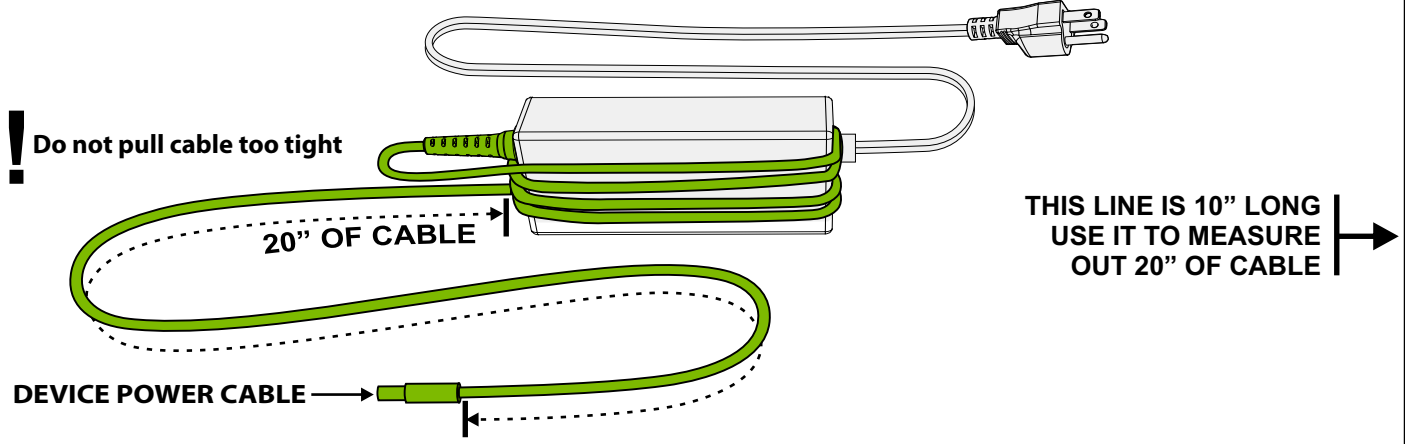


For power adapters
like this proceed
to the next step

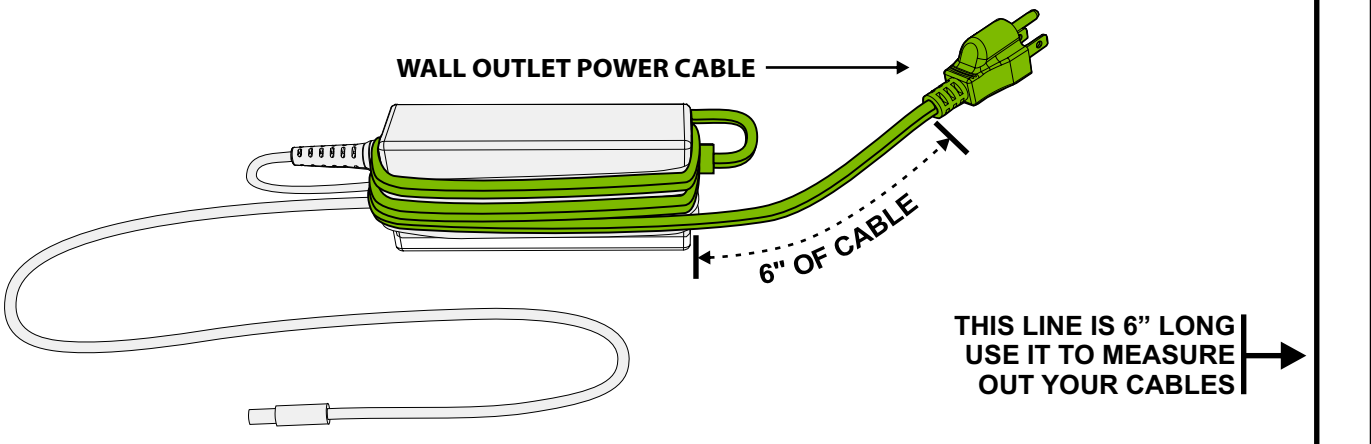


Power adapter cable management

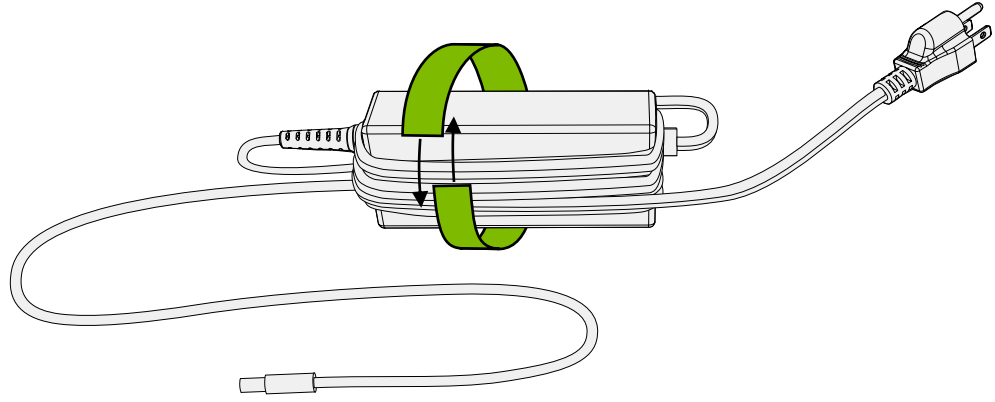
- 1 Wrap device power cable around power adapter leaving 20" of cable free



- 2 Wrap wall outlet power cable around power adapter leaving 6" of cable free



- 3 Secure cables around adapter using provided hook and loop straps

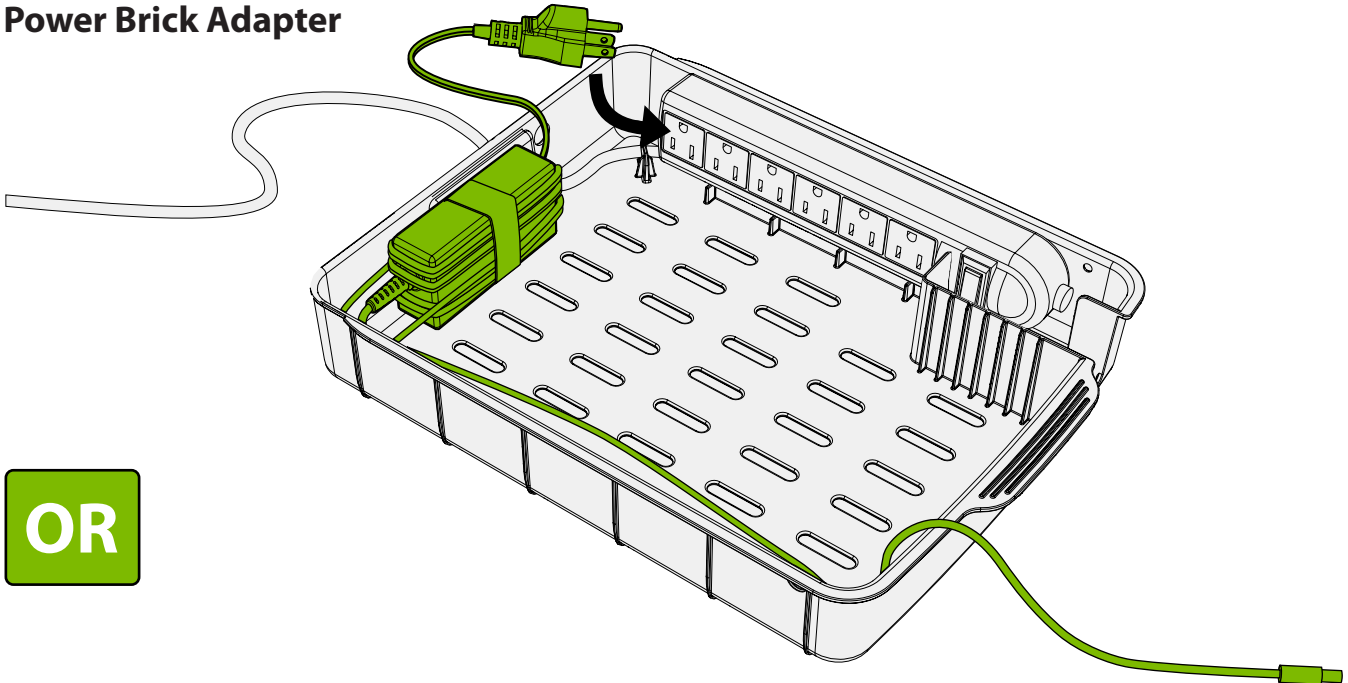


! Repeat above steps for all remaining power adapters

Plug in first power adapter (start at back of the Power Tray)

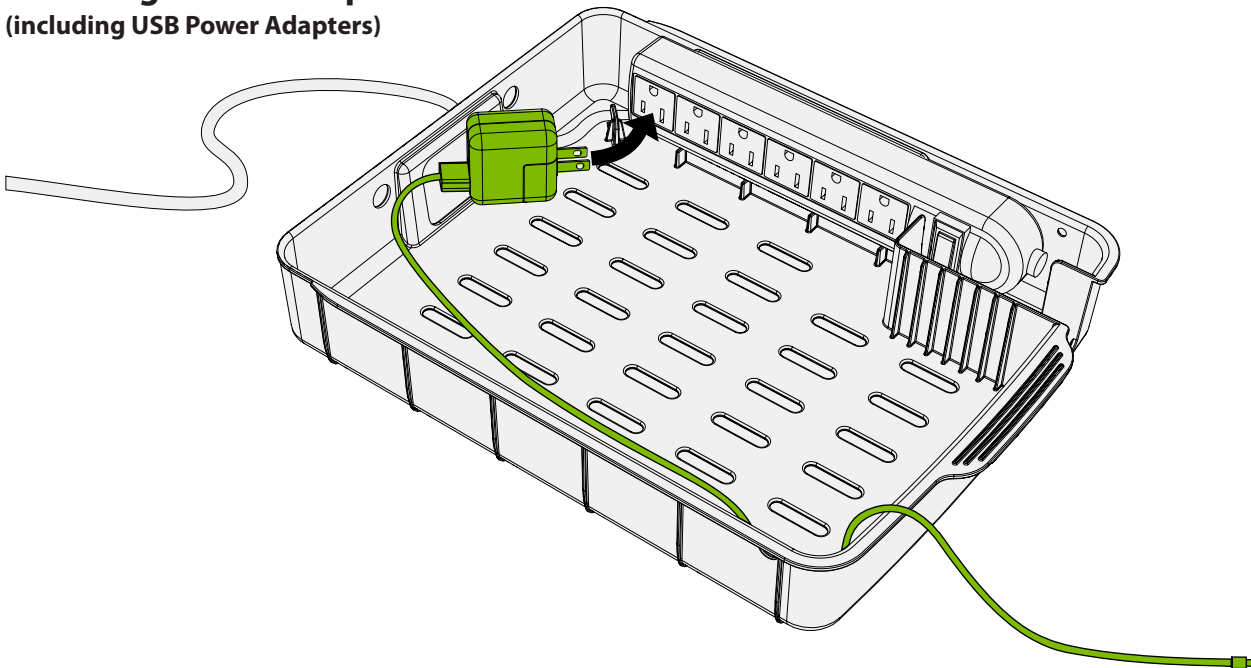
- 1 Plug first power adapter into power strip
- 2 Run cable to front of tray, leaving excess cable hanging out

Power Brick Adapter



OR

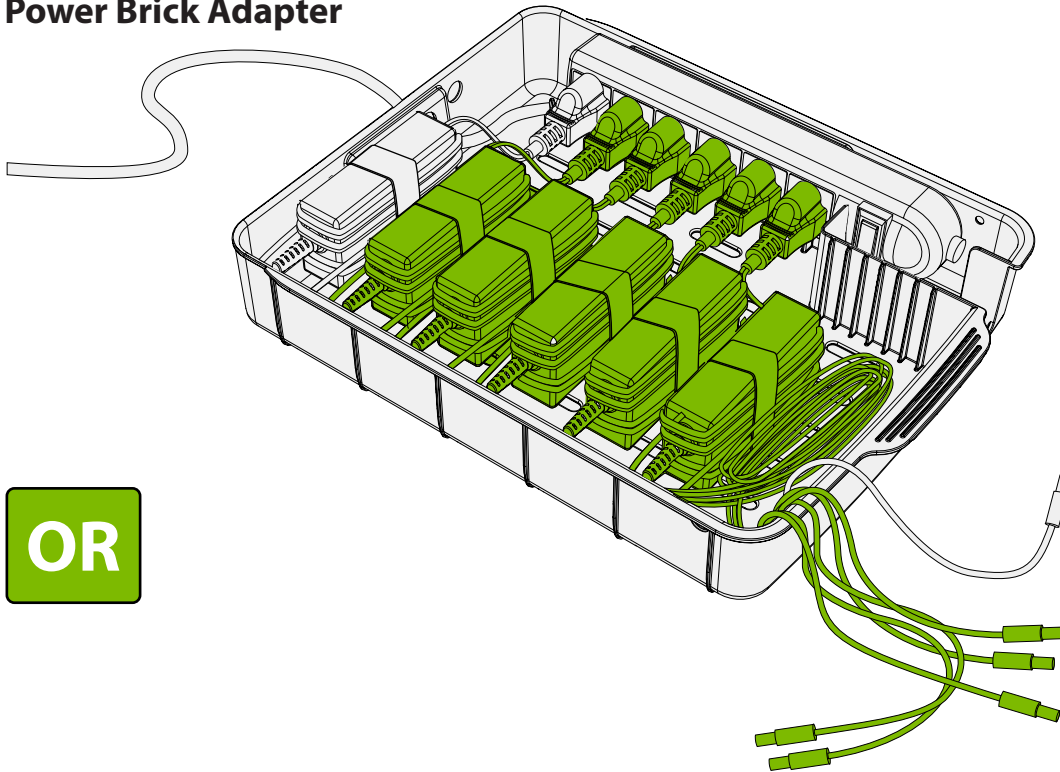
Wall Plug Power Adapter (including USB Power Adapters)



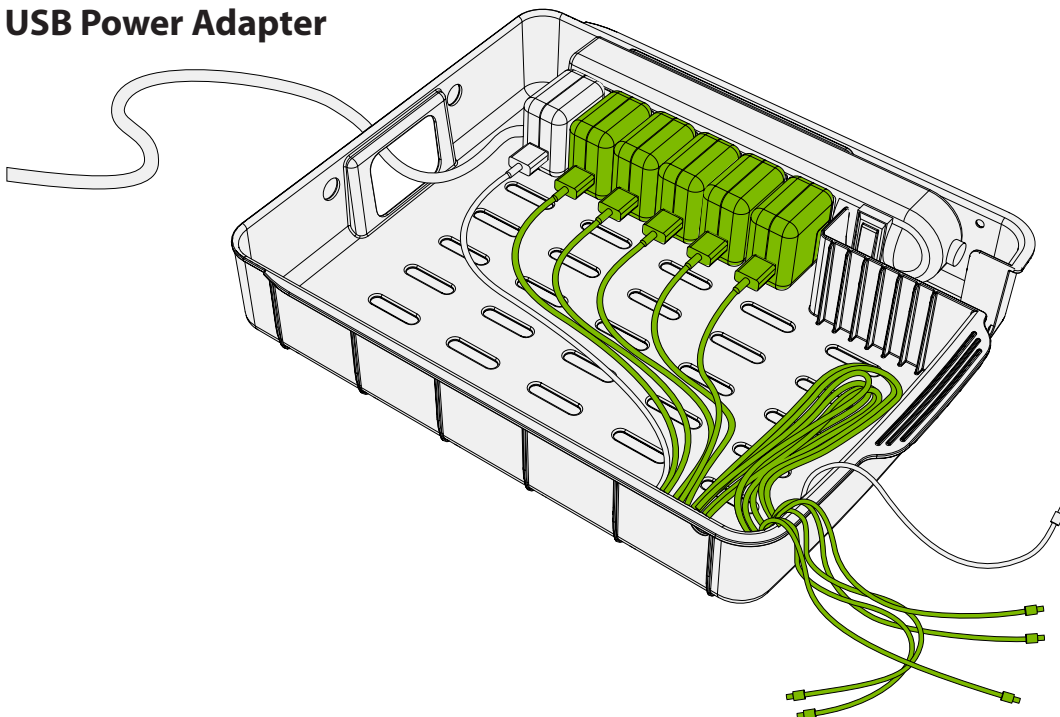
Plug in remaining power adapters

- 1 Plug remaining power adapters into power strip
- 2 Run cables to front of tray, leaving excess cable hanging out

Power Brick Adapter



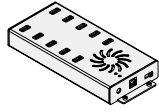
USB Power Adapter



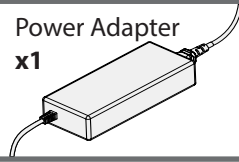
10
FTT700-C
ONLY

You will need: (Not to Scale)

10 Port USB Hub
x1

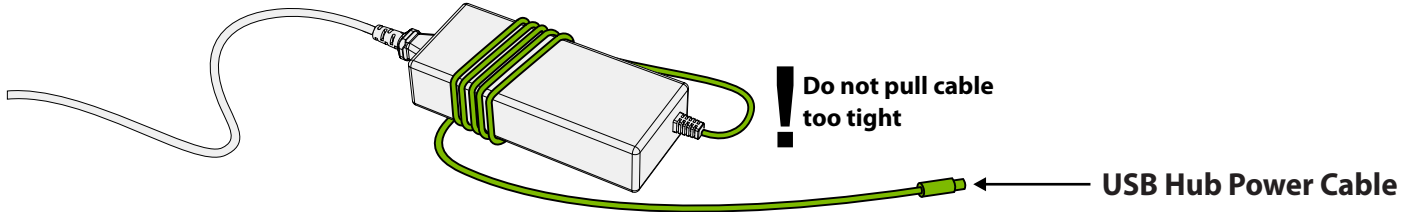


Power Adapter
x1

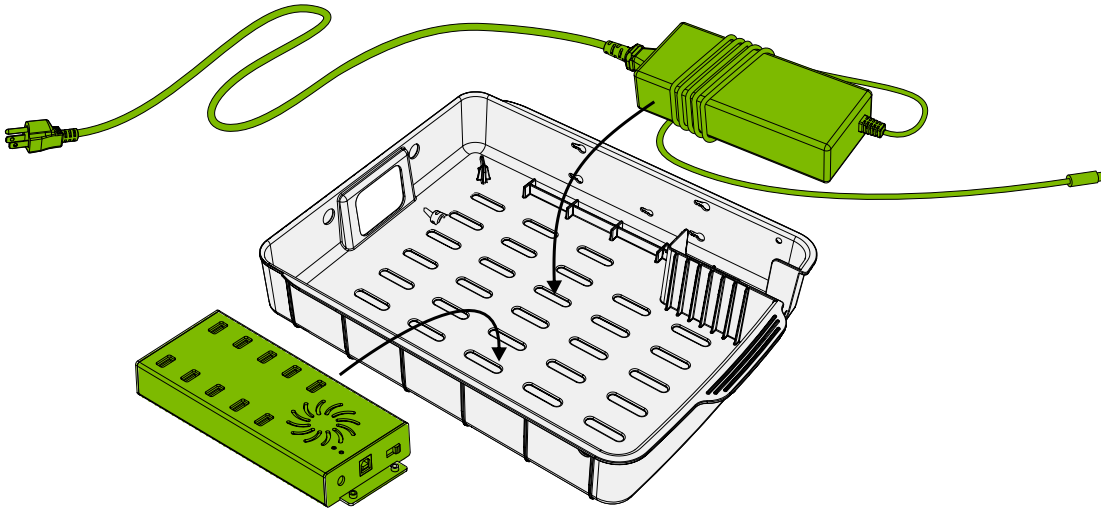


Setup USB Hub

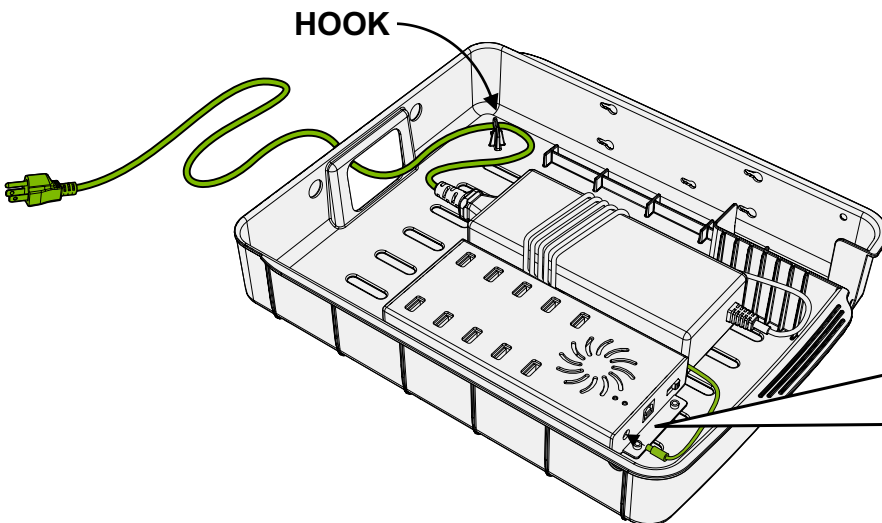
- 1 Wind excess USB Hub power cable around Power Adapter



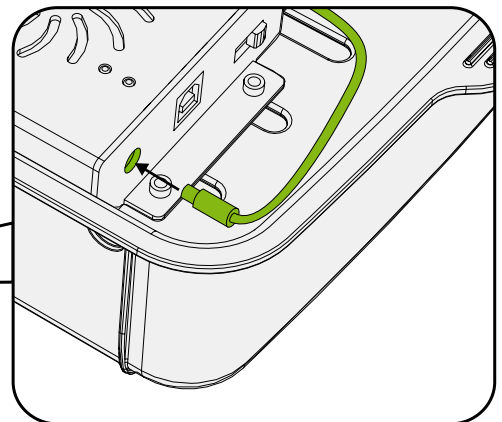
- 2 Place USB Hub and Power Adapter into Power Tray



- 3 Route power cable around hook and out through back of Power Tray

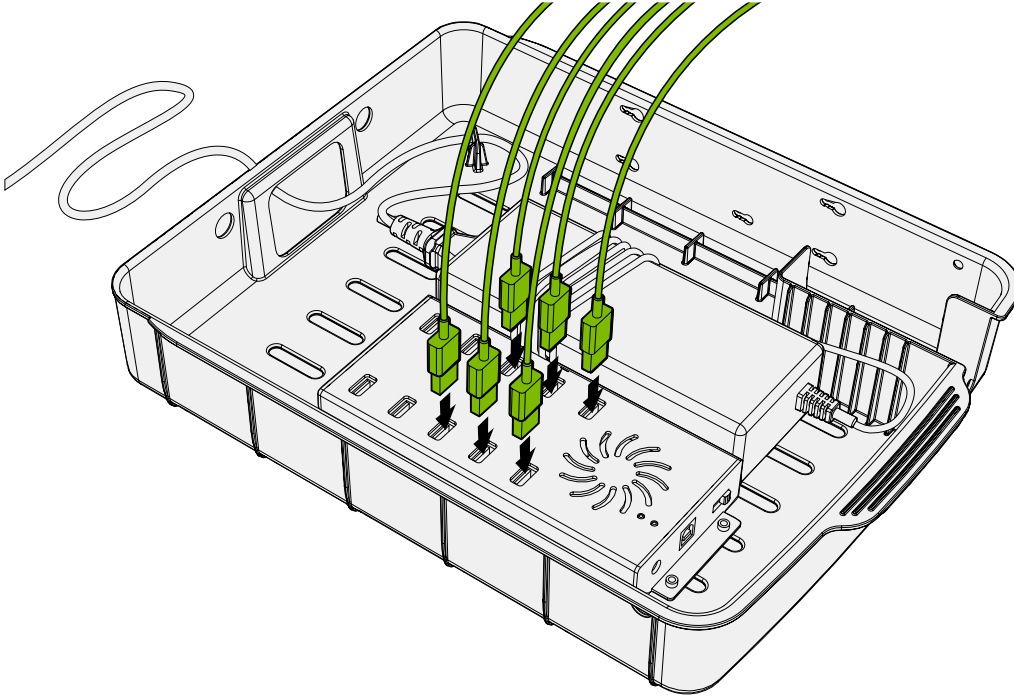


- 4 Connect USB Hub to power adapter

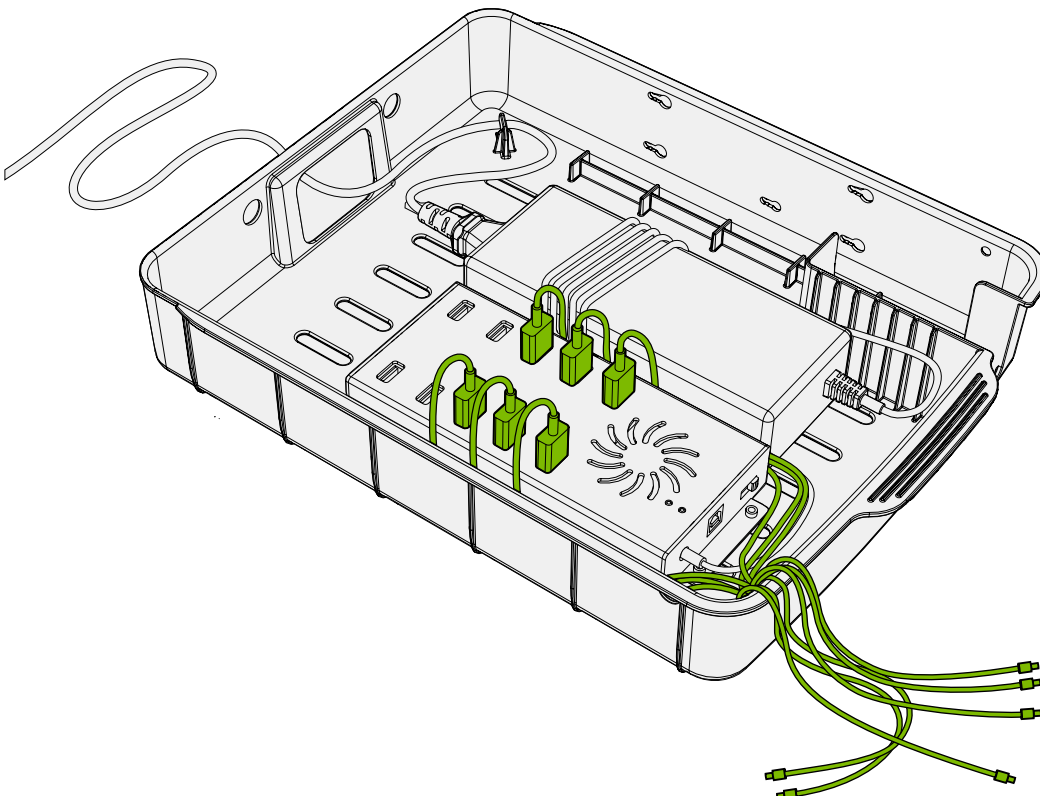


Plug in USB cables

- 1 Plug USB cables into USB Hub



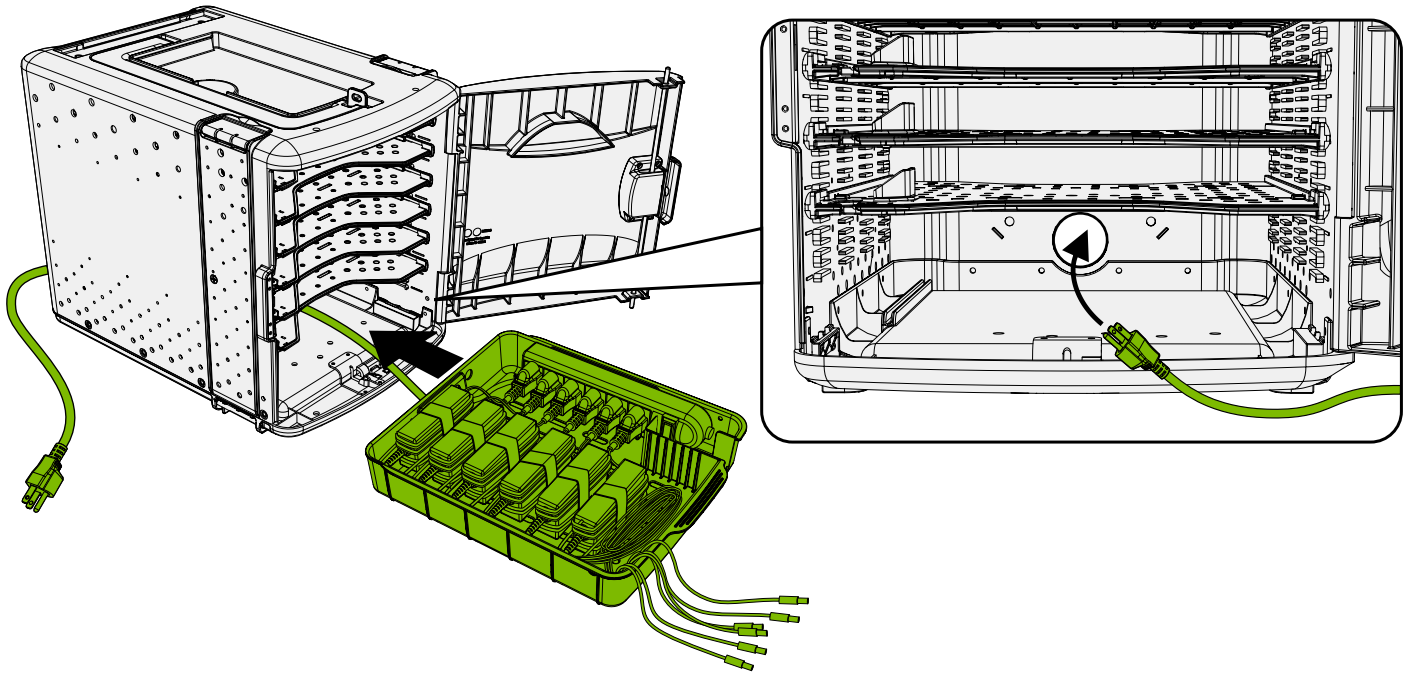
- 2 Run USB cables to front of tray, leaving excess cable hanging out



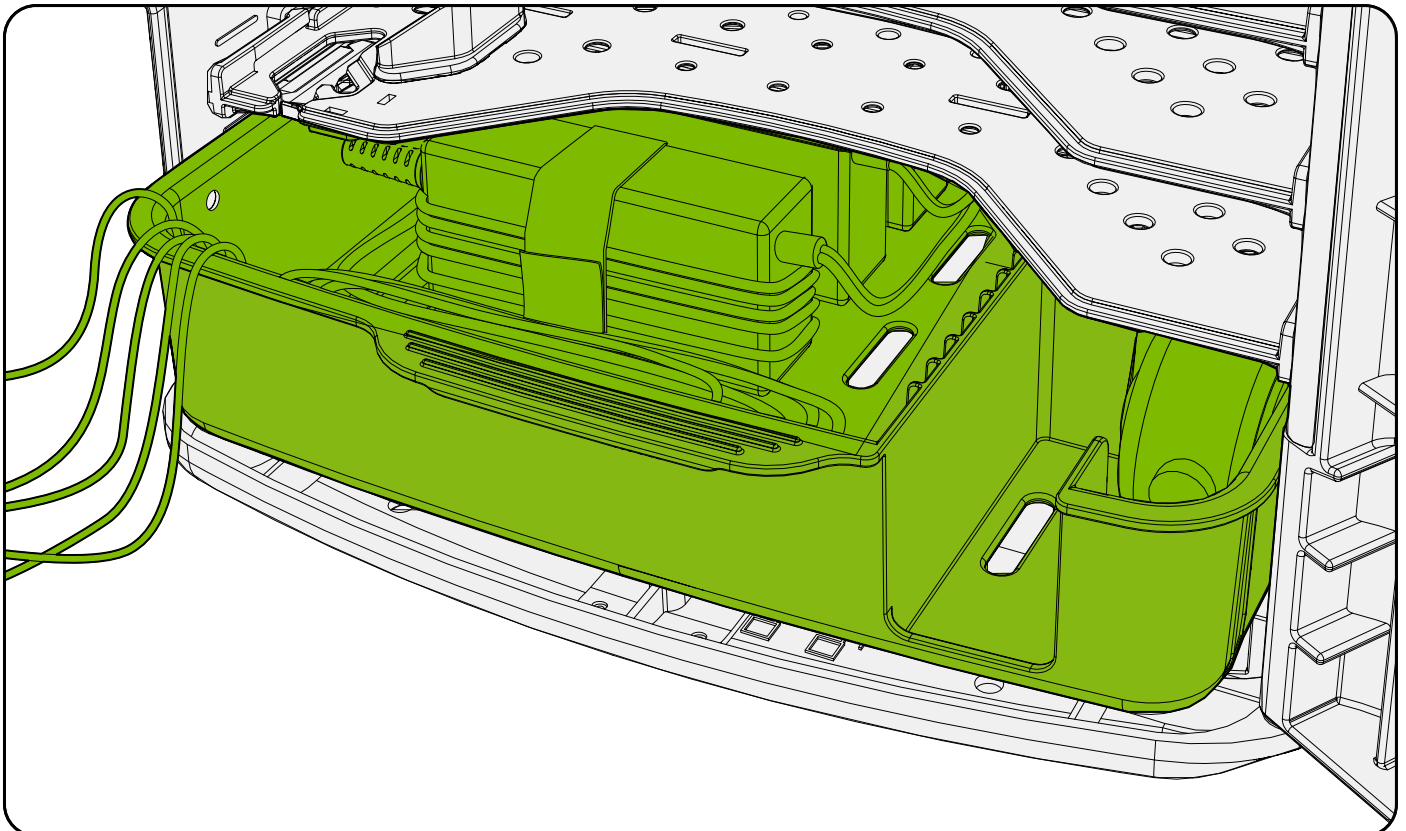


Position Power Tray for Cable Management

- 1 Feed Power Strip power cable through hole in back of tub



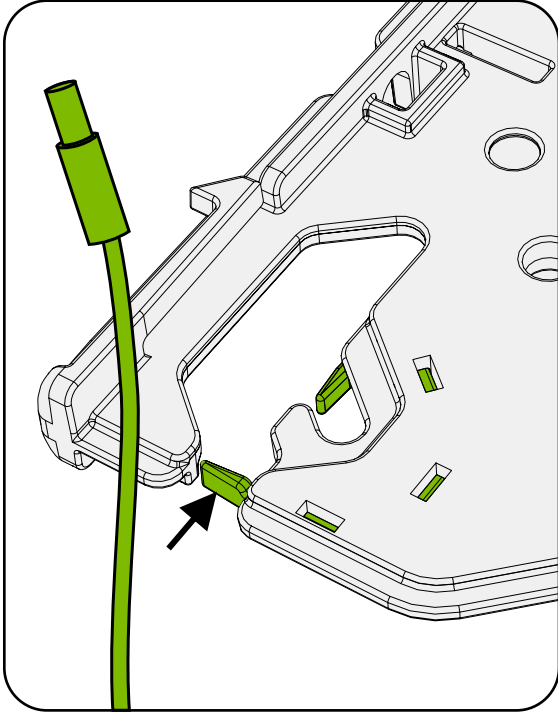
- 2 Partially slide Tray back into tub (leave a gap as shown below)



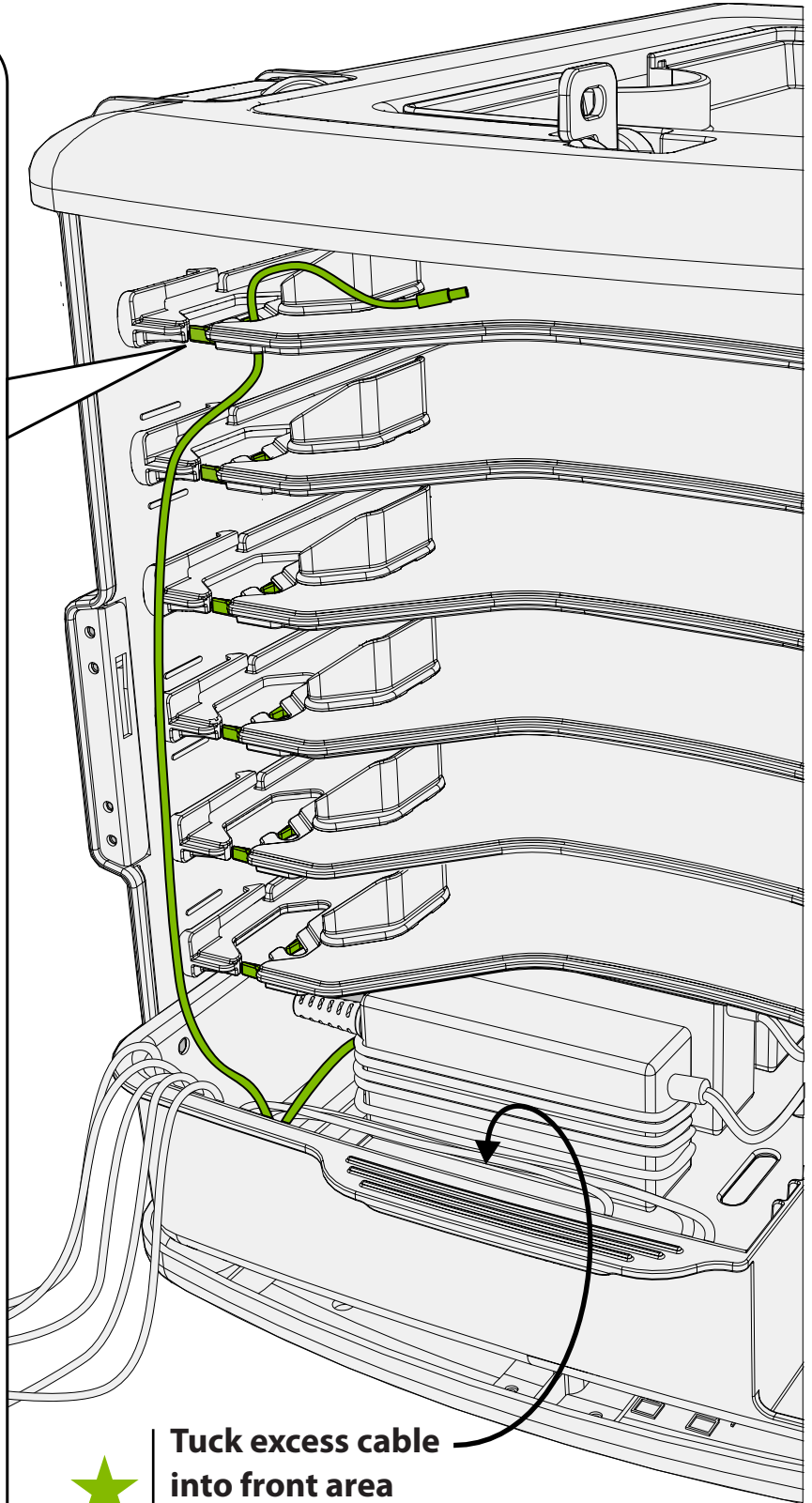
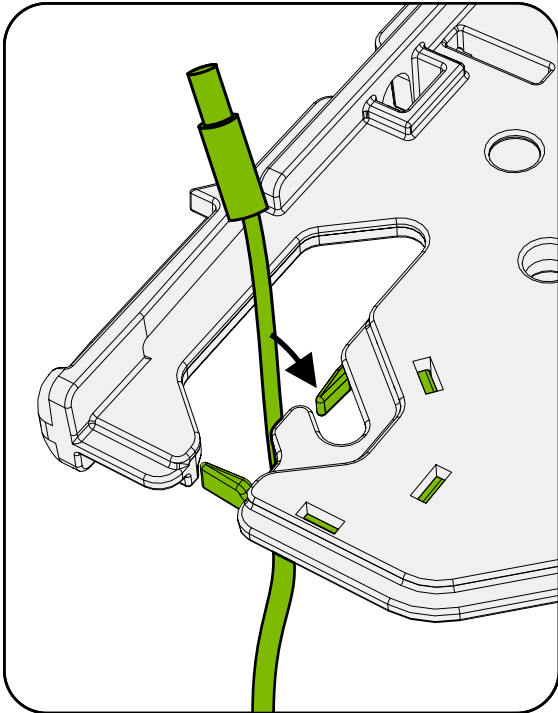
Feed first cable into cable management clip on top shelf

★ The process is the same for USB cables

1 Push cable through first green clip



2 Push cable through second green clip

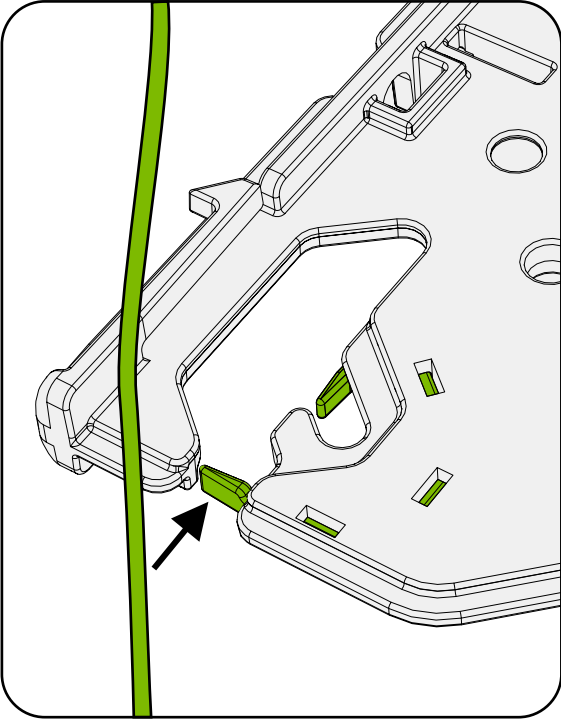


Tuck excess cable into front area of power tray

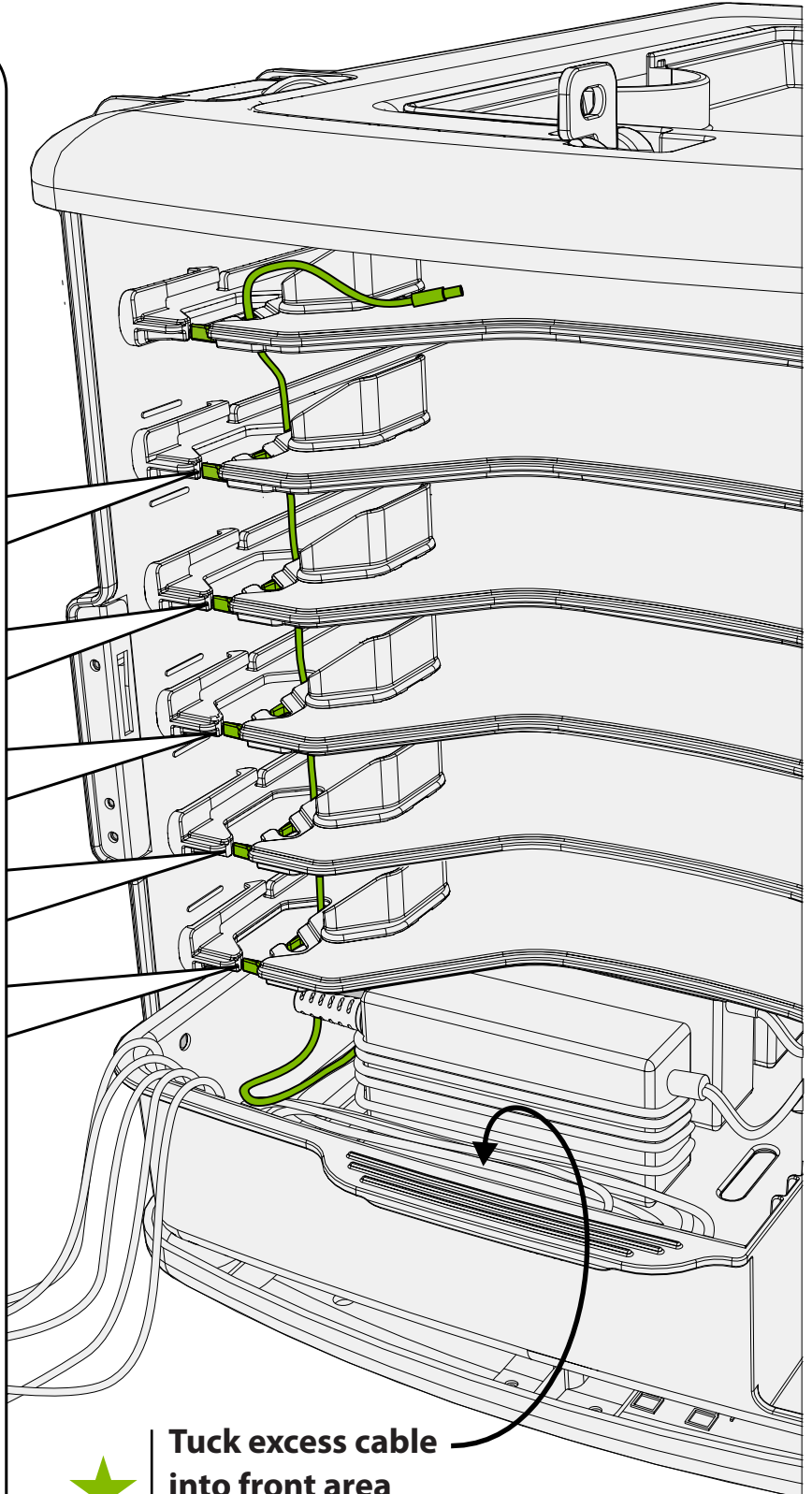
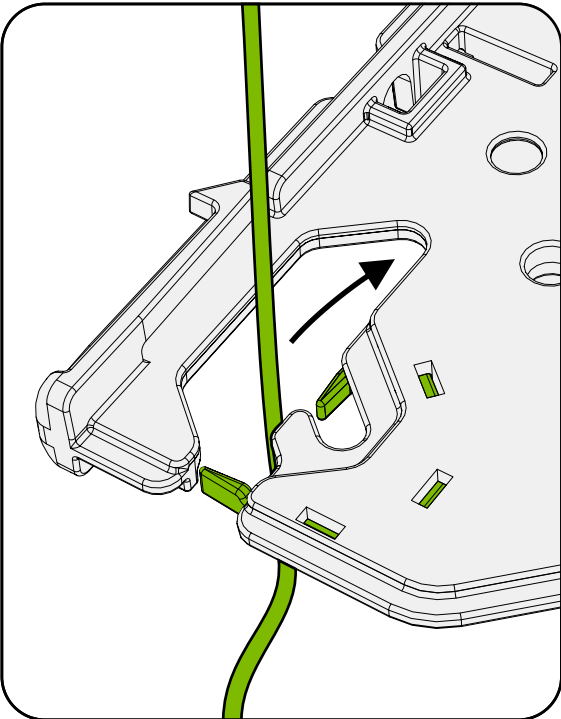
Continue inserting cable into first cable management clip on all remaining shelves

★ The process is the same for USB cables

1 Push cable through first green clip

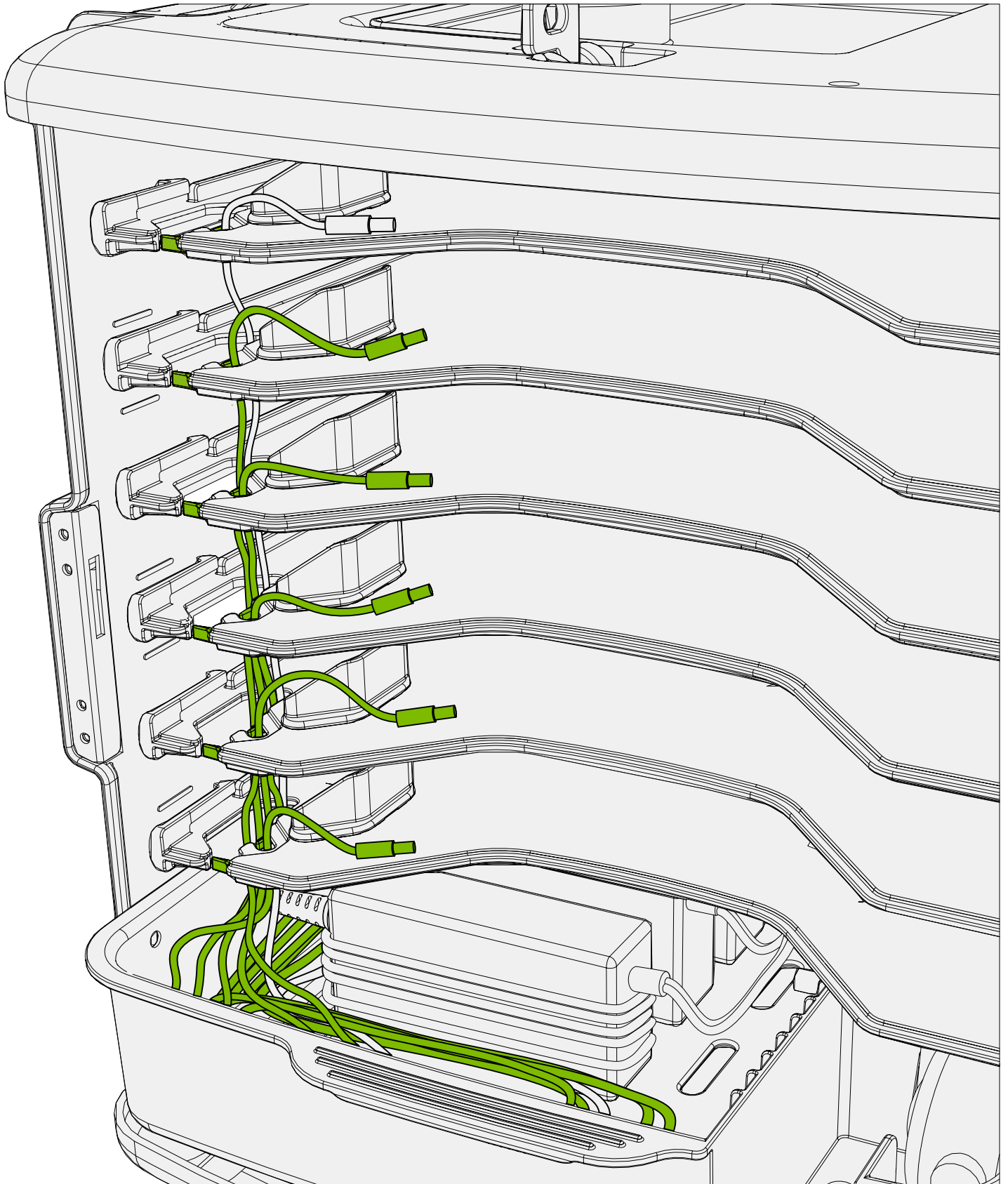


2 Push cable to back of opening

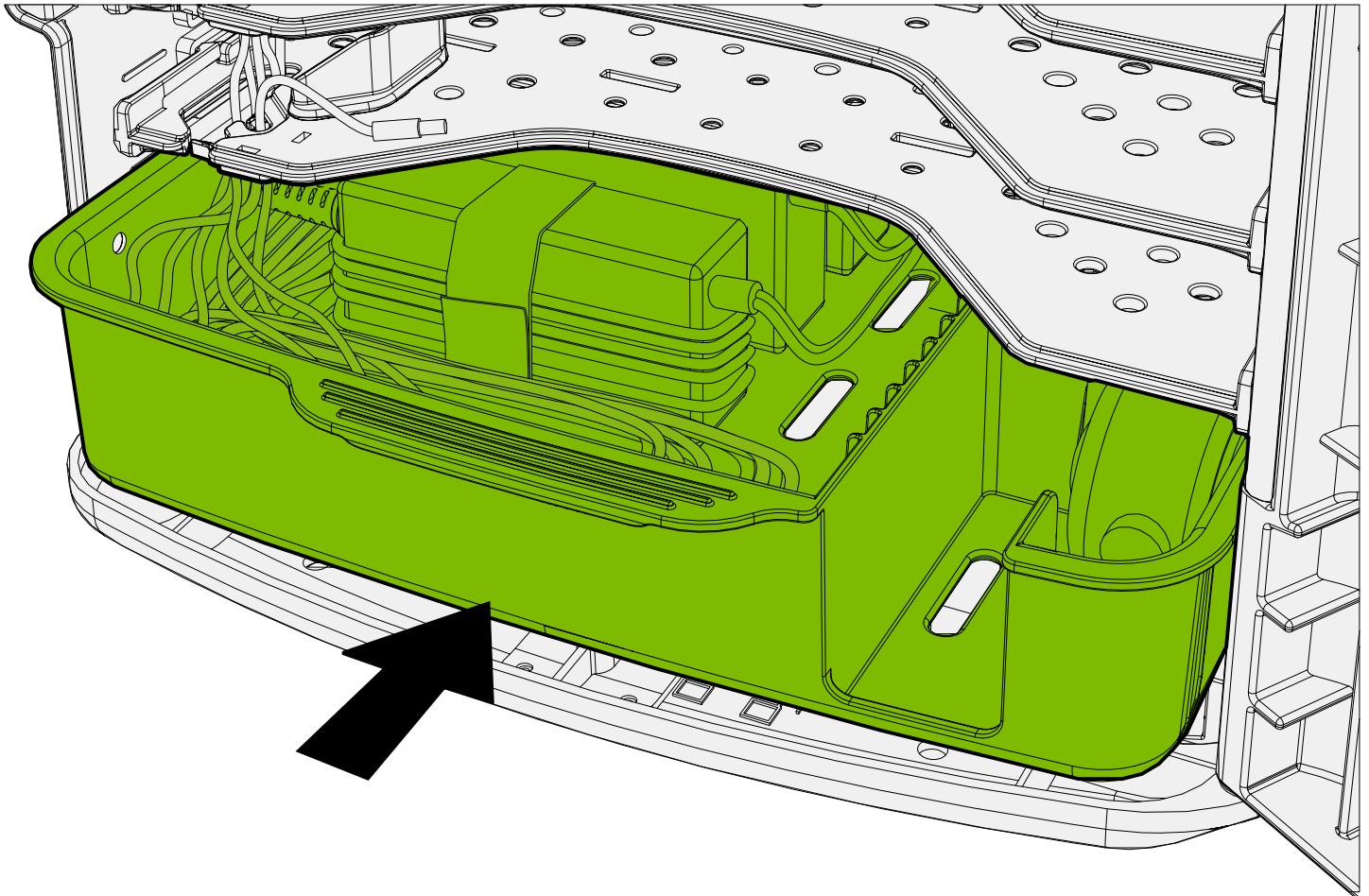


Tuck excess cable into front area of power tray

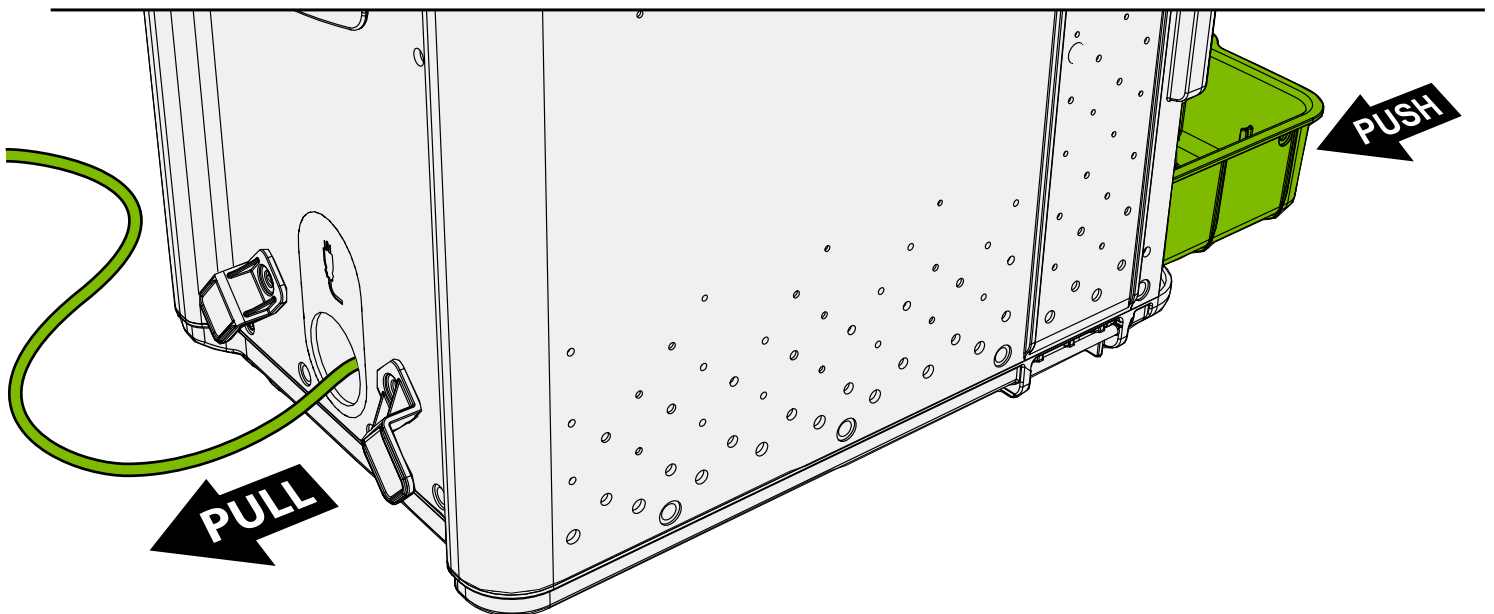
Repeat Step 13A and 13B until all remaining cables are clipped into shelves (as shown)



Slide Tray all the way into the Tub



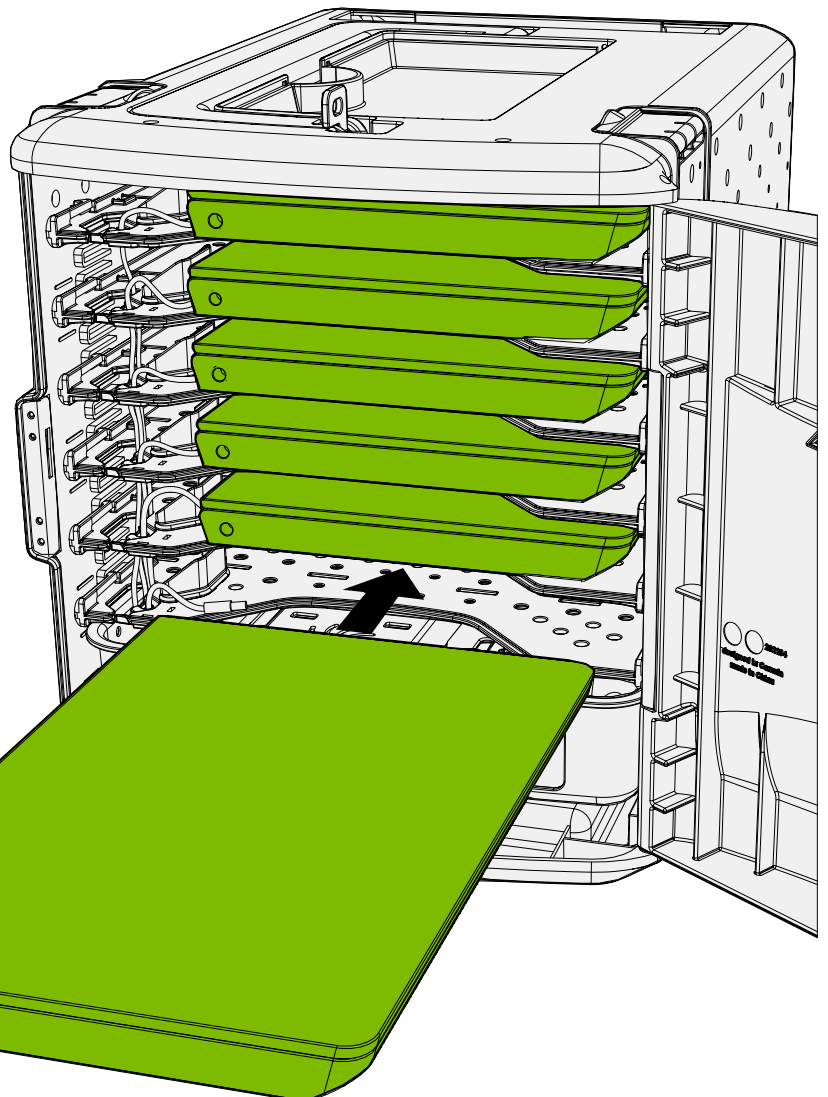
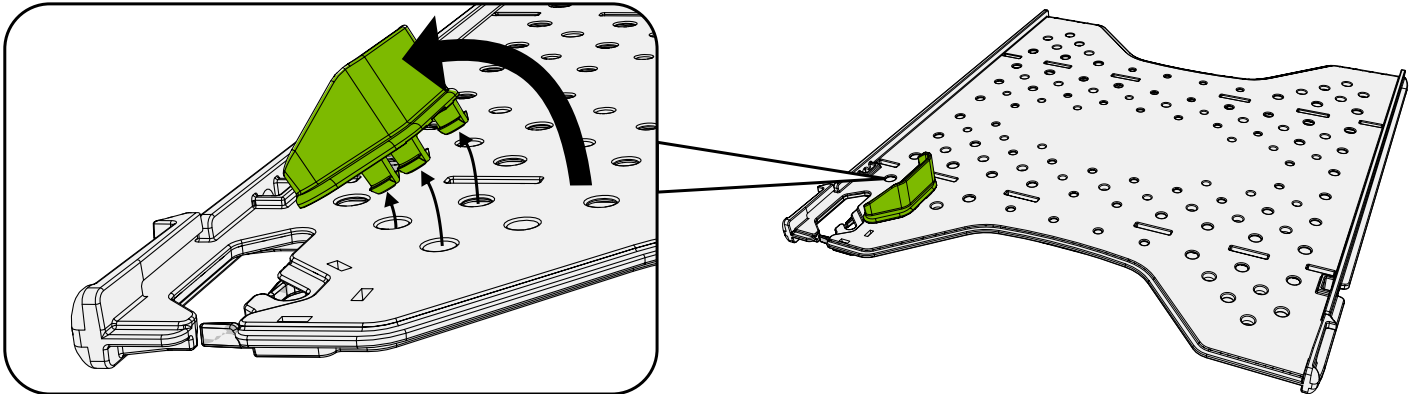
★ When pushing the tray in, pull the cable to keep it out of the way of the tray



Insert your devices into Tech Tub²

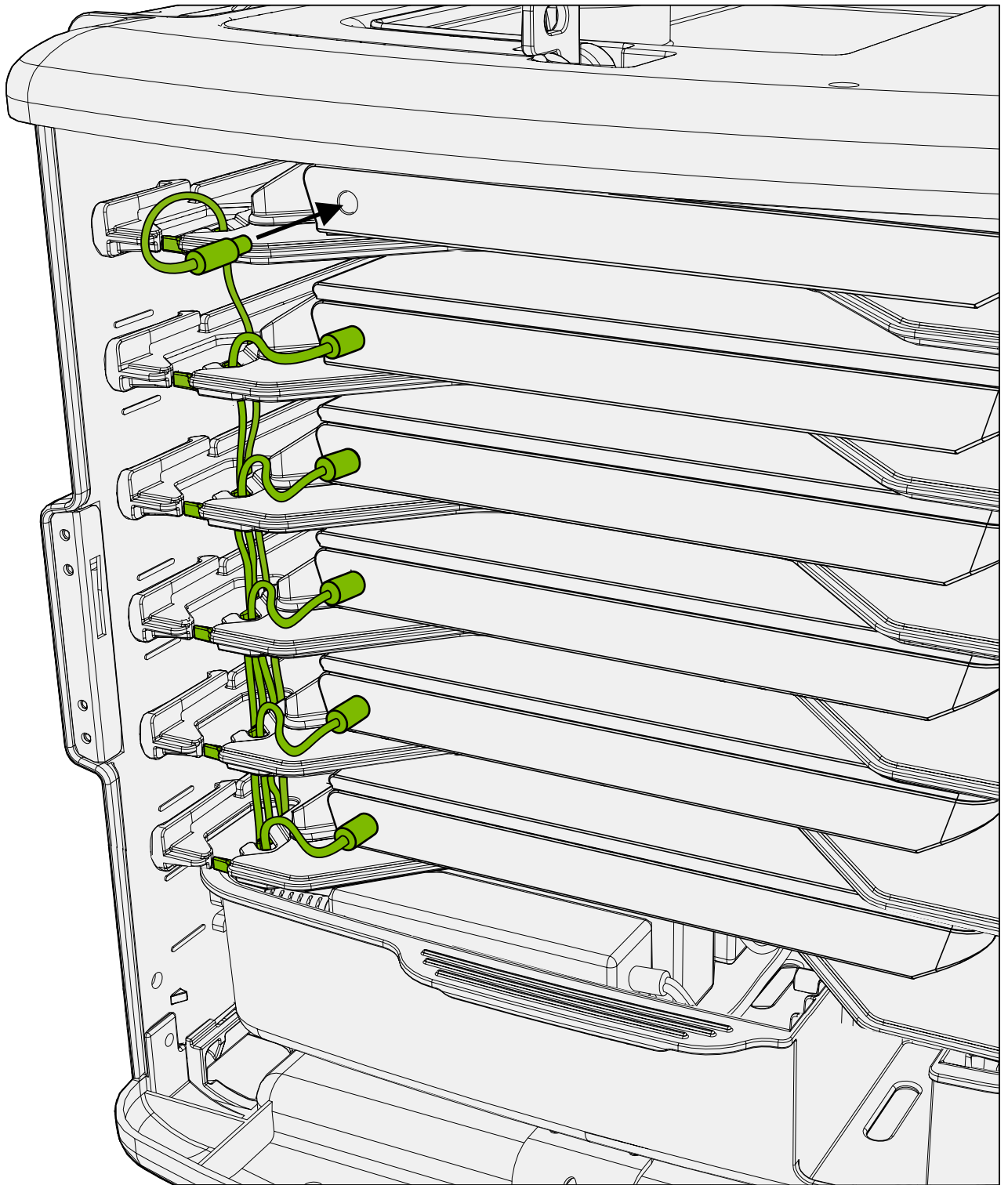


Device Positioning Rails are removable if you require more space for larger devices.
To remove, push on the top edge and rotate up out of holes in shelf.
If you wish to discard Device Positioning Rails please recycle them.

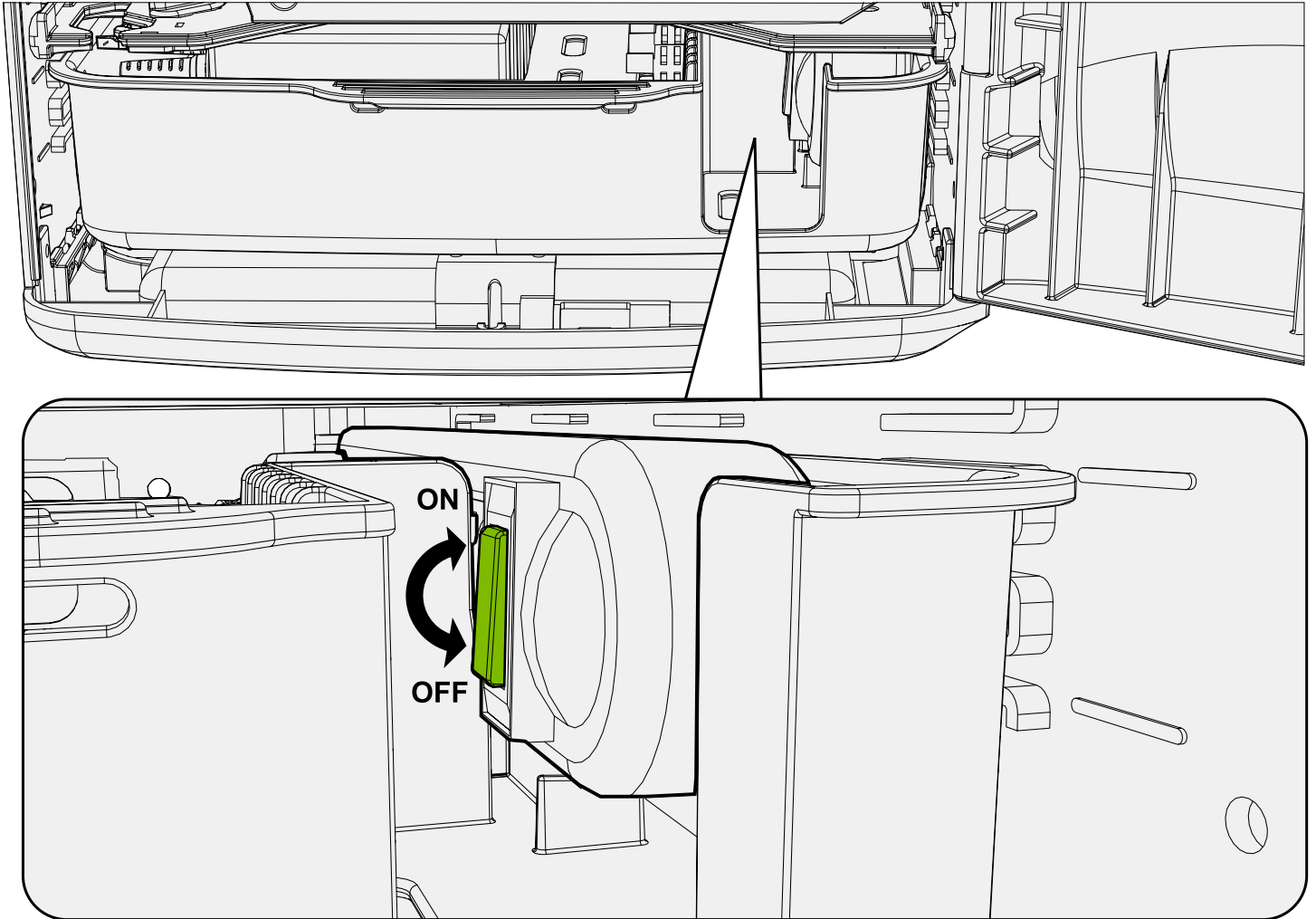
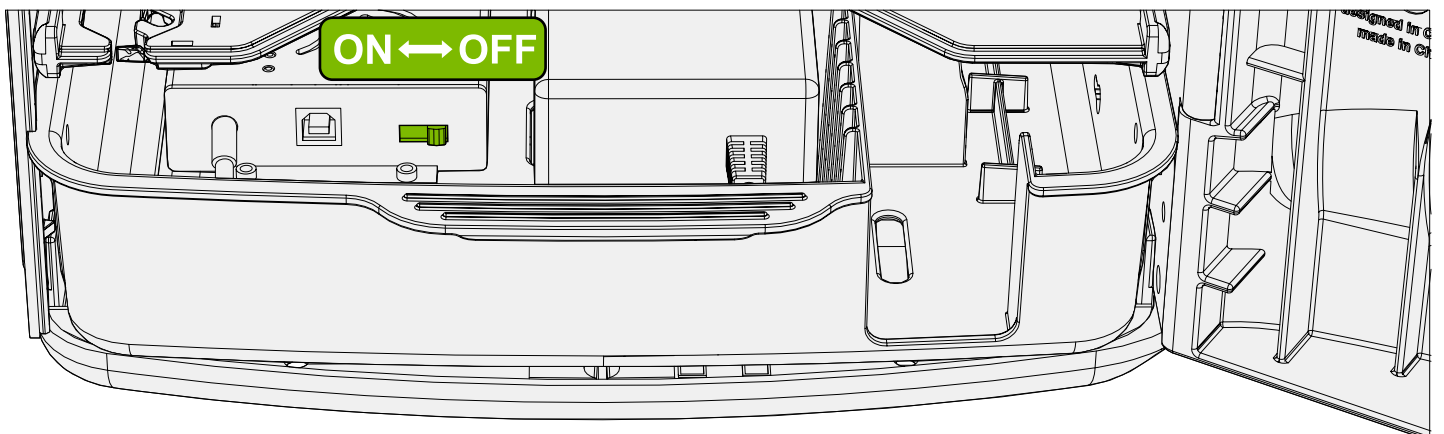


Push devices in completely
to ensure cables don't
interfere with door

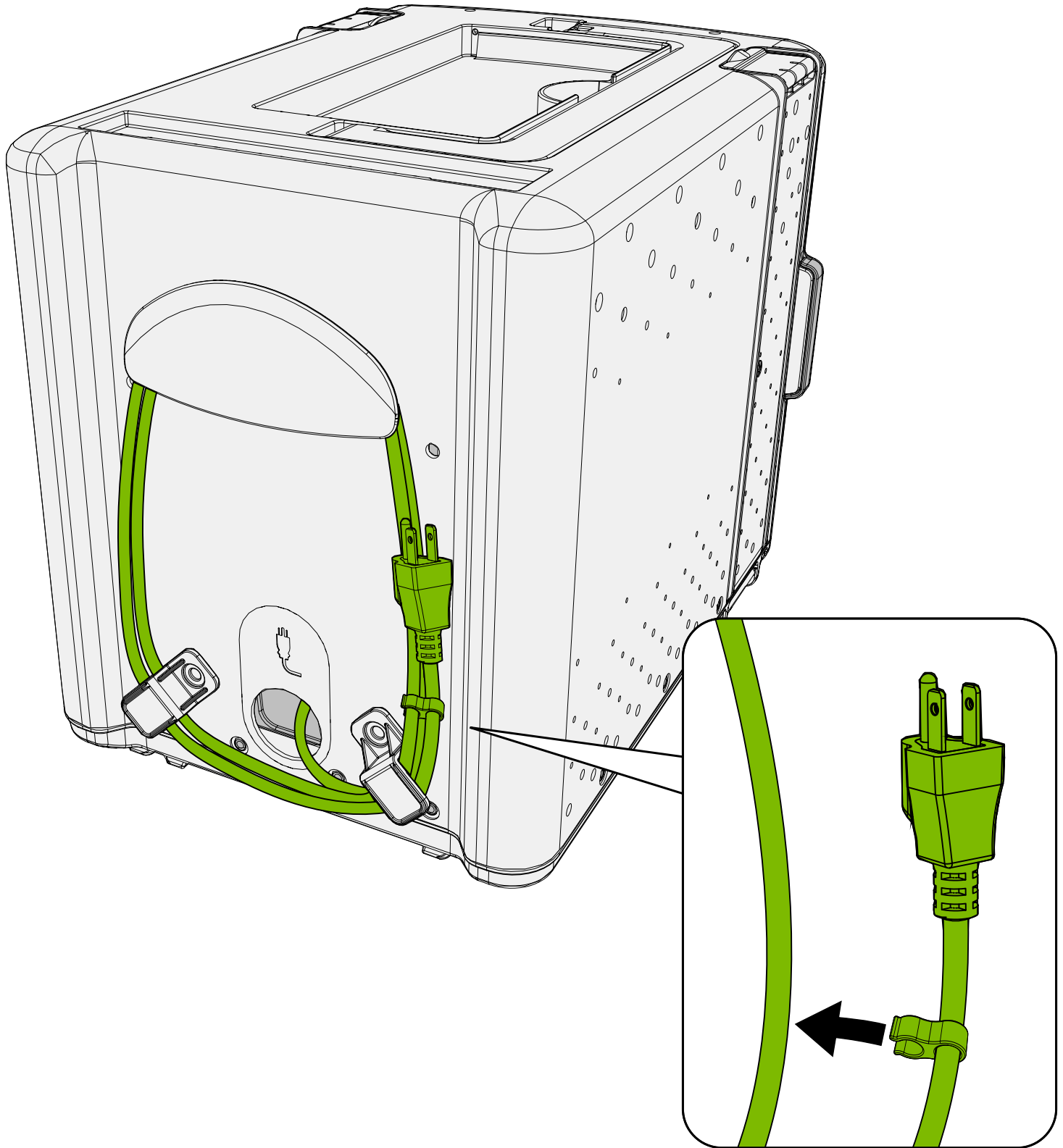
Plug device power cable into each device



! Once step 17 is complete plug power strip or usb hub power cable into wall outlet

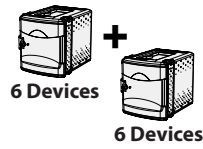
Turn on power strip via access hole on front of tray**OR****Slide Power Tray out and slide USB Hub power switch into on position**

Wrap Power Strip power cable around cable hooks when moving Tech Tub²

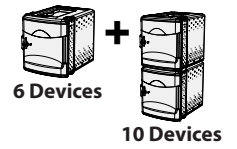




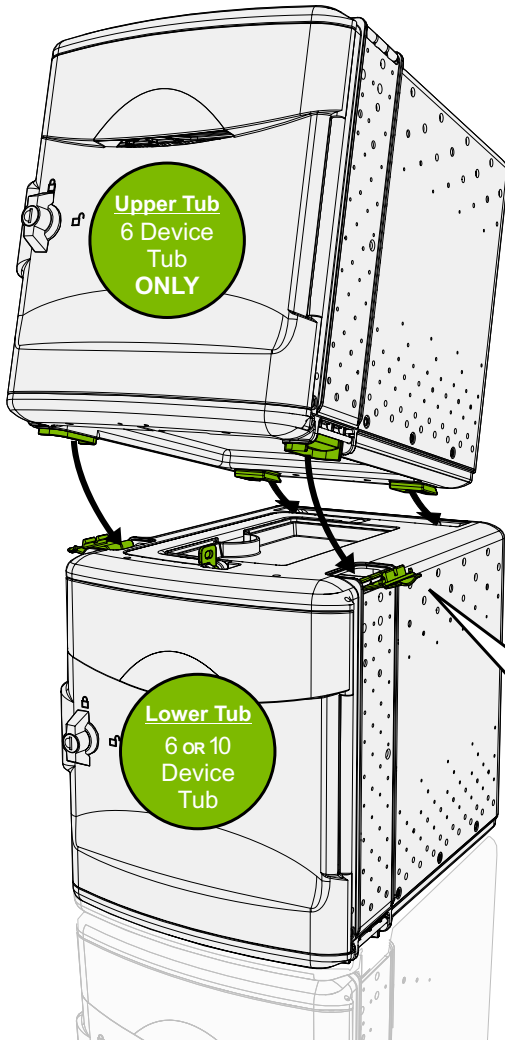
Connecting Tubs Together



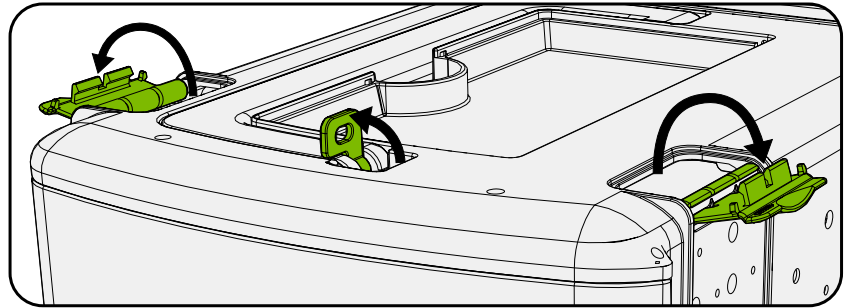
OR



Connect a 6 Device Tub to a 6 Device Tub or a 10 Device Tub



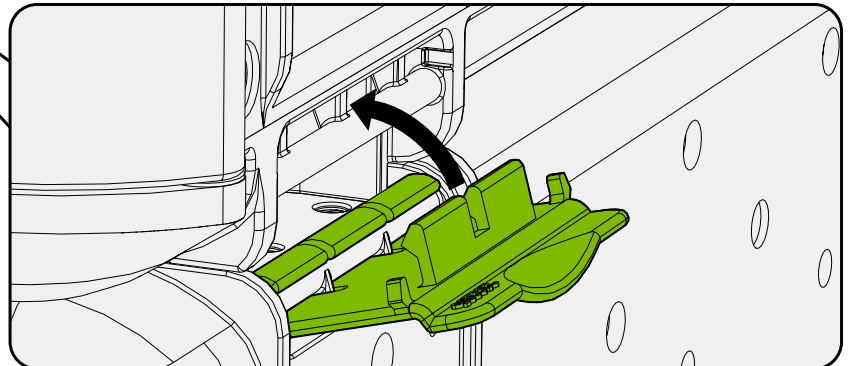
1 Flip up Locking Tab and Open side Flip Locks on lower tub



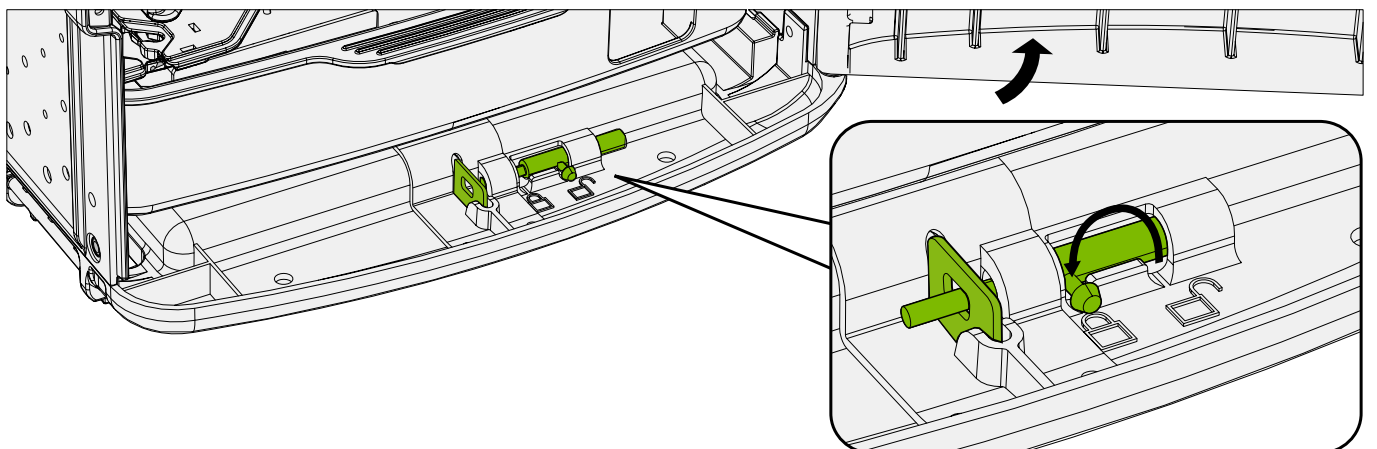
2 Insert back feet of upper tub into slot on top of lower tub

3 Insert front feet of upper tub into holes on top of lower tub

4 Connect upper and lower tub using side Flip Locks



5 Open the front door of upper tub and slide locking pin through metal tab



6 Close and lock front door of Tech Tub² to secure devices

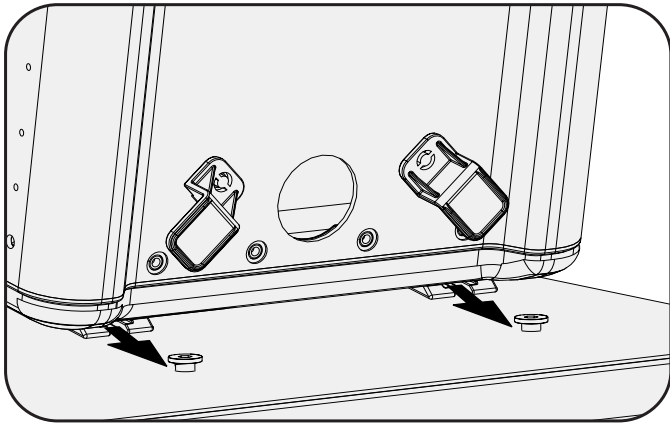


Surface Mounting Tech Tub²[®]

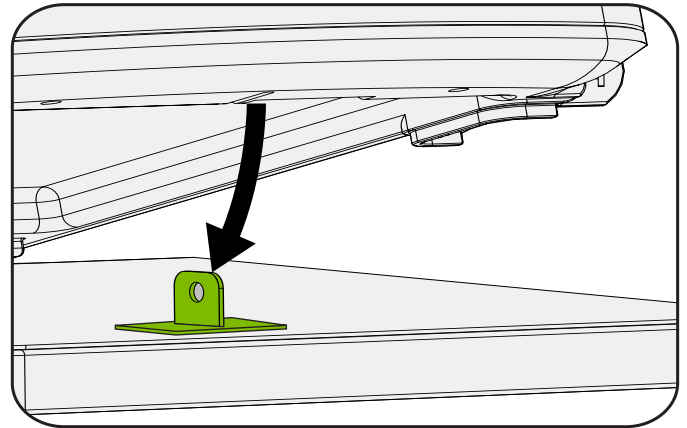
Lock Tub to surface using Locking Pin

! First, install surface mounting hardware using attached template (stapled to end of this guide) then complete steps below to secure your Tech Tub² onto surface

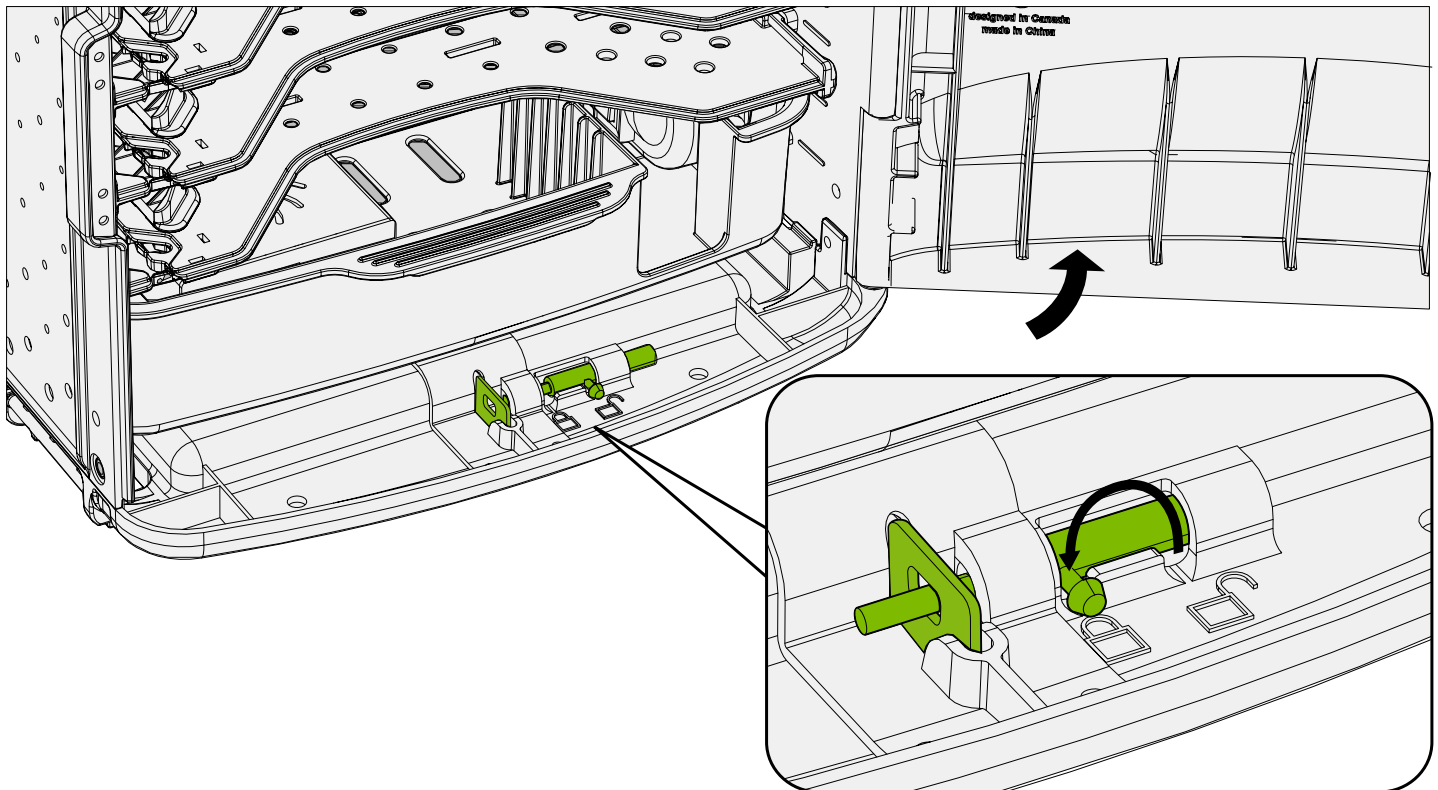
1 Slide rear feet of Tech Tub²[®] onto the pins



2 Fit slot (front underside of tub) over metal tab



3 Open the front door and slide locking pin through metal tab



4 Close and lock front door of Tech Tub² to secure devices