



## Assembly Guide IFP500 2020 C

Check out our other products online at  
[www.copernicused.com](http://www.copernicused.com)

For assistance, please contact us:

1-800-267-8494

Email [info@copernicused.com](mailto:info@copernicused.com)

Have your packing slip ready for reference

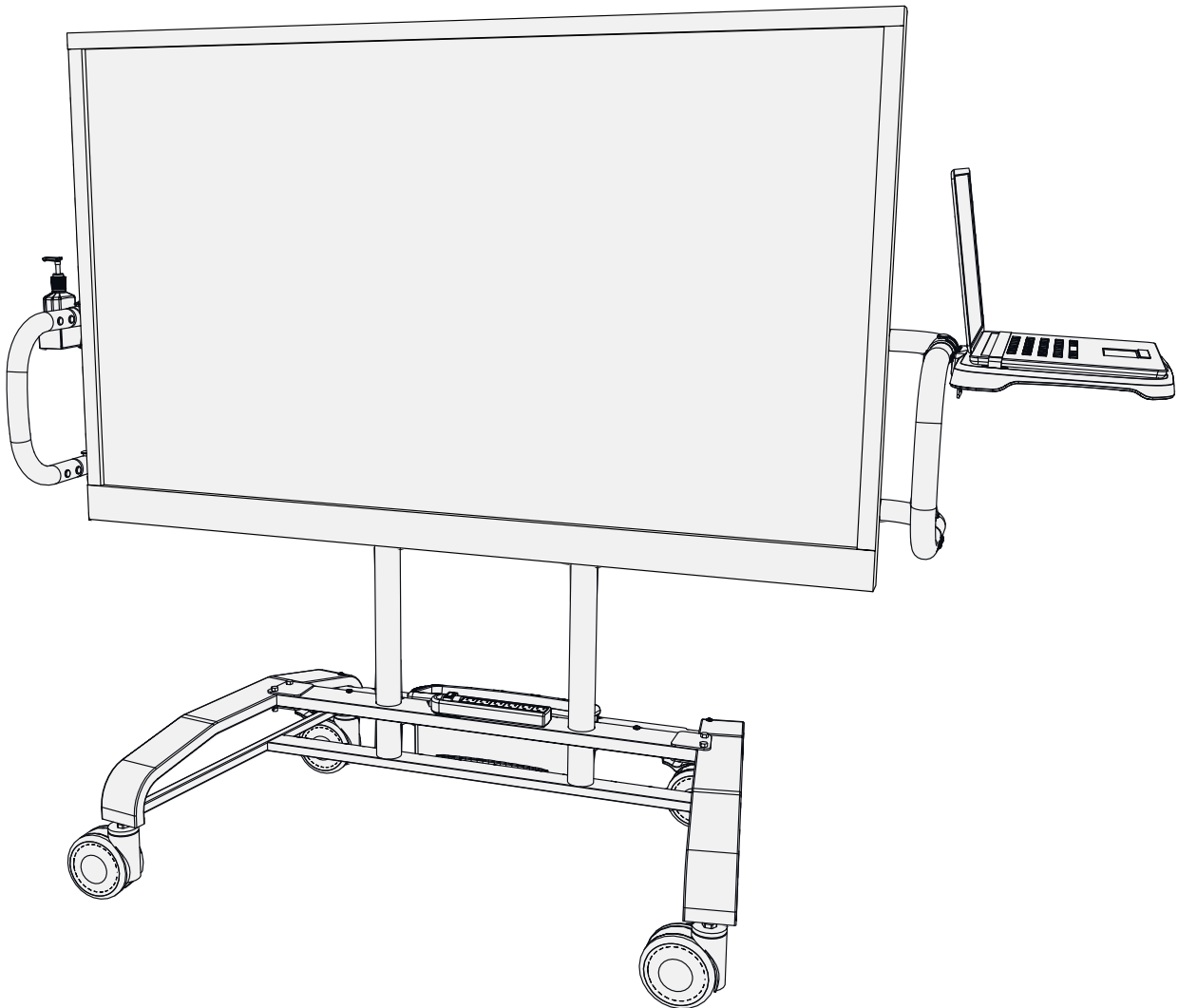
## WARNING



- This product is meant to be assembled by an adult.
- In its unassembled state, small parts present a hazard.
- To be used under direct supervision of an adult.

\*Shown with SMART MX265 Flat Panel (sold separately)

\*Laptop not included





## Assembly Guide IFP500 2020 C

Check out our other products online at  
[www.copernicused.com](http://www.copernicused.com)

For assistance, please contact us:

1-800-267-8494

Email [info@copernicused.com](mailto:info@copernicused.com)

Have your packing slip ready for reference

Dear Educator,

Thank you for purchasing the iRover2™ for Interactive Flat Panels. We hope it meets all your expectations and you and your students enjoy using it at your school.

If you have any questions, concerns or ideas on how we can improve please let us know by contacting our Customer Solutions Ninjas at 1-800-267-8494 or [info@copernicused.com](mailto:info@copernicused.com).

Happy teaching,

Kaylyn Belcourt  
President

We do not inherit the earth from our ancestors, we borrow it from our children.

NORTH AMERICAN

PROVERB

Change is the end result of all true learning.

LEO BUSCAGLIA

What you leave behind is not what is engraved in stone monuments, but what is woven into the lives of others.

PERICLES

Education is the most powerful weapon which you can use to change the world.

NELSON MANDELA

**Lifetime**  
Frame & Tub

### Register your Product

Registering your warranty ensures we have all the information we need to make any future warranty claims quick and easy. Please visit [www.copernicused.com/warranty](http://www.copernicused.com/warranty) and complete the form within 10 business days from product assembly. By registering your product, you will be entered into a draw to win Copernicus product.

**5**  
**Year**  
Electric Lift

### Make a Warranty Claim

We offer a Lifetime Warranty on almost everything we make. Please call 1-800-267-8494 or email [info@copernicused.com](mailto:info@copernicused.com) to start your warranty claim. Proof of purchase will be required upon warranty claim (i.e. copy of invoice).



# Warning! Hazard Risks!

Please read the warnings below for important safety information regarding your product. Failure to read these warnings or to follow the instructions below could result in personal injury or damage to your product that could void your warranty.



Small  
Parts

In its unassembled state, this product contains parts that can be hazardous to small children. This product should be assembled by an adult.



Adult  
Supervision

This product is to be used under the supervision of an adult.



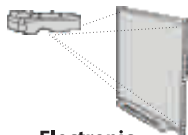
Indoor Use  
Only

This product is intended for indoor use only. To reduce the risk of fire or electric shock, do not expose this product to rain or moisture. The internal components are not sealed from the environment.



Power Strip  
Specifications

Read your power strip electrical specifications. Only plug in devices that are approved for use with this power strip. Connect the supplied power strip directly to a wall outlet. **Do not connect to another power strip or use an extension cord.** Unplug when not in use. **Do not leave this product plugged in for more than 72 consecutive hours.** Turn off power strip before unplugging.



Electronic  
Equipment

Read the electrical specifications of any electronic equipment you are using with your Copernicus products. Failure to read these specifications and follow their instructions could result in damage to your equipment or personal injury.



Cable Trip  
Hazard

Ensure that any cables extending across the floor to your product are properly bundled and marked to avoid tripping or falling which may lead to personal injury.



Electrical Shock

Do not install or use the electrical components of this unit during a lightning storm.



Climb Hazard

Do not climb on, hang from or suspend objects from any components of your product unless otherwise specified.

# Tips for Assembly

## Watch for These Helpful Symbols

This symbol denotes a 2- or Person Task. For safety, please ensure that there are the suggested number of people working on steps displaying this symbol.



Watch for this symbol throughout the Assembly Guide. Wherever you see it, pay close attention. The symbol denotes a step needing extra attention to ensure it is done correctly.



The star symbol highlights an advisory note.



## Before You Begin

- Lay out and identify all of the included parts.
- Read the assembly guide over once to familiarize yourself with them.

**!** Please note that in its unassembled state, this product contains parts that can be hazardous to small children. This product should be assembled by an adult.



## As You Assemble the Unit

- Follow the steps in sequence.
- Before beginning each step, find the part(s) that you need for that step.
- Pay attention to the labels on the parts; they are there to help direct you at certain stages.
- The title of each step states what you will be doing. Review the text and the pictures as you build the unit.

# Customer Service - FAQ's



### For missing parts and other issues regarding the frame:

Please call Copernicus Customer Service, where we will be happy to help.  
1-800-267-8494. Monday - Friday 8:00am - 4:30 pm EST.

OR

Email our Tech Support Service at [vanessa@copernicused.com](mailto:vanessa@copernicused.com)

**Need Tech Support?  
Have a Question?**



Email our Tech Support Service

### My Flat Panel isn't working, who should I call?

Please call the reseller that you bought the product from first (reseller information can be found on your packing slip).

**Check out some of our  
other great products!**



[www.copernicused.com](http://www.copernicused.com)

## Before beginning, you should have:

Additional tools required:

Adjustable wrench (2x)



**OR**

7/16" Wrench (2x)

9/16" Wrench (2x)

**+**

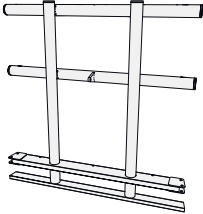
Screwdriver



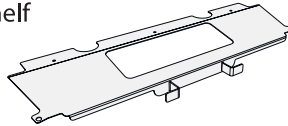
Phillips #2 or #3

### Contents IFP500-0

Base Frame  
(51101)  
**1x**

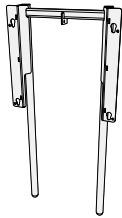


Bottom Shelf  
(322471)  
**1x**

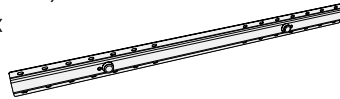


### Contents IFP500-1

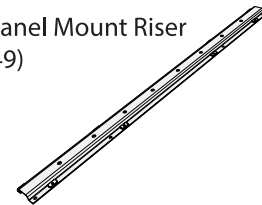
Moving Frame  
(33158)  
**1x**



Flat Panel Mount Stretcher  
(33148)  
**2x**



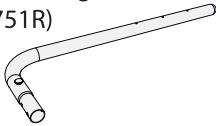
Flat Panel Mount Riser  
(33149)  
**2x**



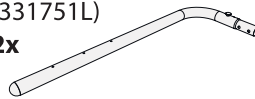
### Contents IFP500-2

... hardware on following page

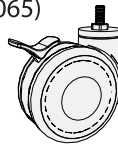
Protective Handle  
Extension Right  
(331751R)  
**2x**



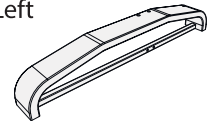
Protective Handle  
Extension Left  
(331751L)  
**2x**



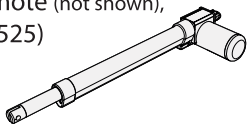
5" Locking Caster  
(410065)  
**2x**



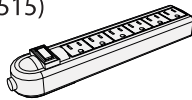
Base Foot Left  
(33188L)  
**1x**



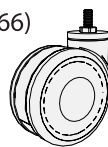
Electric Lift,  
Adapter (not shown),  
Remote (not shown),  
(25525)  
**1x**



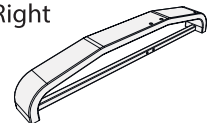
Power Strip  
(25515)  
**1x**



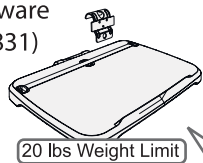
5" Caster  
(410066)  
**2x**



Base Foot Right  
(33188R)  
**1x**

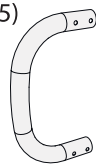


Laptop Tray, Bracket,  
Hardware  
(320831)  
**1x**

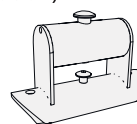


20 lbs Weight Limit

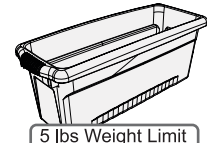
Protective Handle  
Front  
(33175)  
**2x**



Laptop Tray Rear  
Mount  
(340861)  
**1x**



Small Tub  
(CC4070-B)  
**1x**



5 lbs Weight Limit

Hand Sanitizer  
Bottle Holder  
(32310)  
**1x**



**S** M5 x 16mm Screw  
**3x**



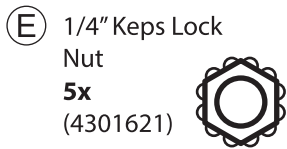
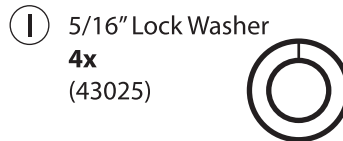
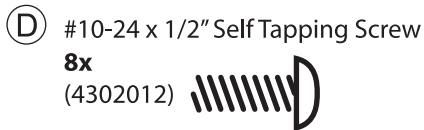
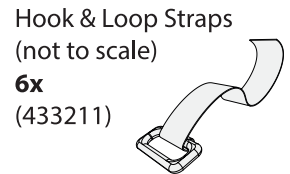
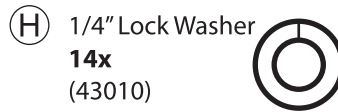
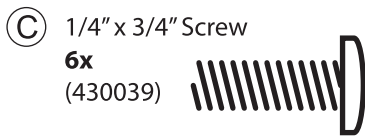
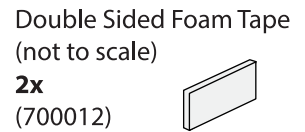
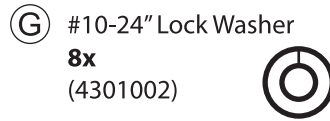
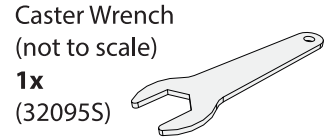
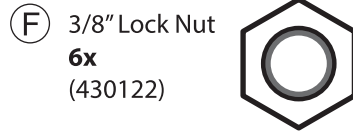
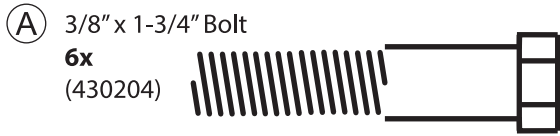
**T** M5 Square Nut  
**3x**



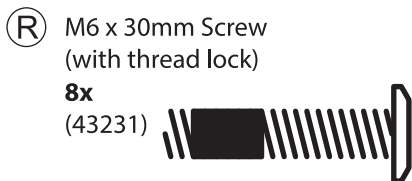
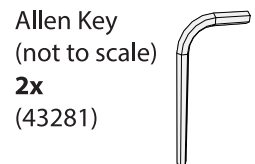
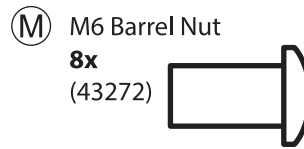
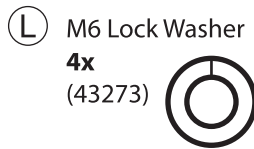
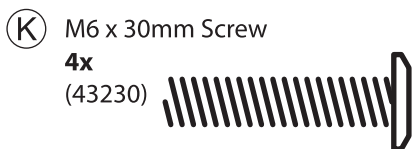
\*Laptop Tray and hardware packaged together

## Before beginning, you should have:

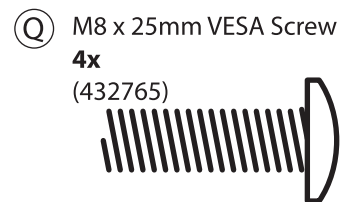
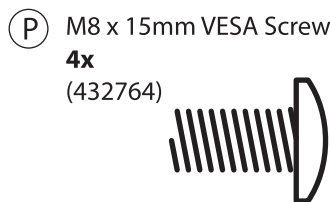
### Hardware Actual Size






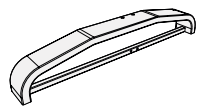
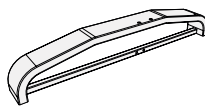







### Metric Hardware for Protective Handles

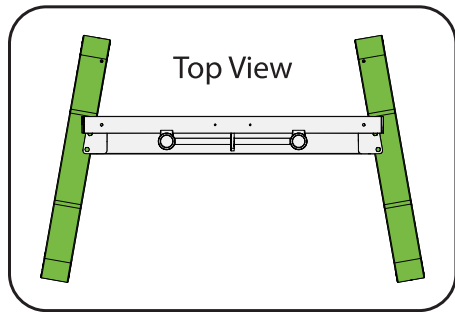


### Metric Hardware for VESA Mounting

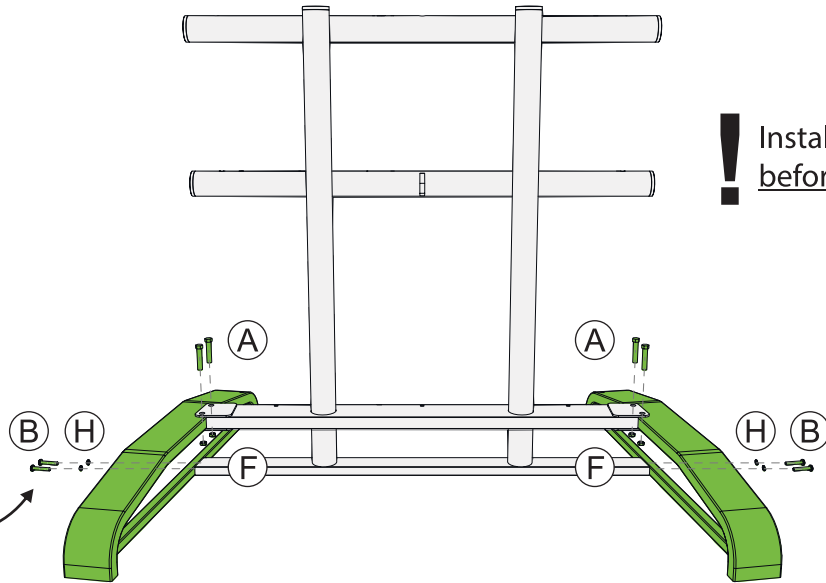


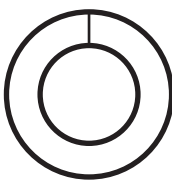

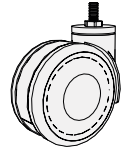
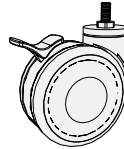
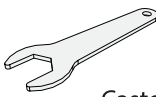
1	Actual Size:  (A) 4x  (B) 4x  (F) 4x  (H) 4x
 <b>2-Person Task</b>	You will need: (Not to Scale)  Base Foot Left 1x  Base Foot Right 1x  Base Frame 1x  Screwdriver  Adjustable wrench (2x) <b>OR</b>  9/16" Wrench (2x)  Phillips #2 or #3

## Assemble Base Frame

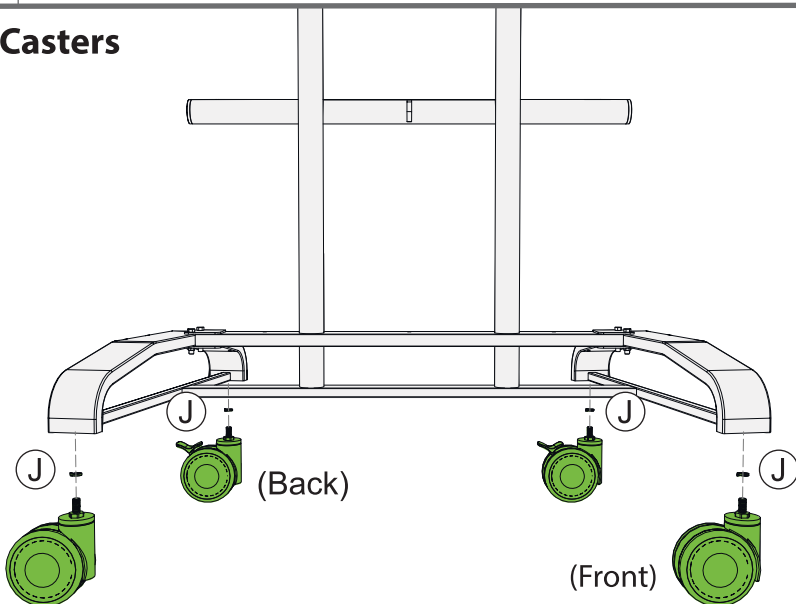


★ Tip: Tighten side bolts first



2	Actual Size:  (J) 4x
 <b>2-Person Task</b>	You will need: (Not to Scale)  5" Caster 2x  5" Locking Caster 2x  Caster Wrench 1x

## Install Casters



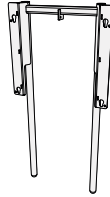
★ Tip: tilt your unit on its back for easier caster installation

**!** Install locking casters on back of unit and tighten using supplied Caster Wrench.

3

Actual Size:

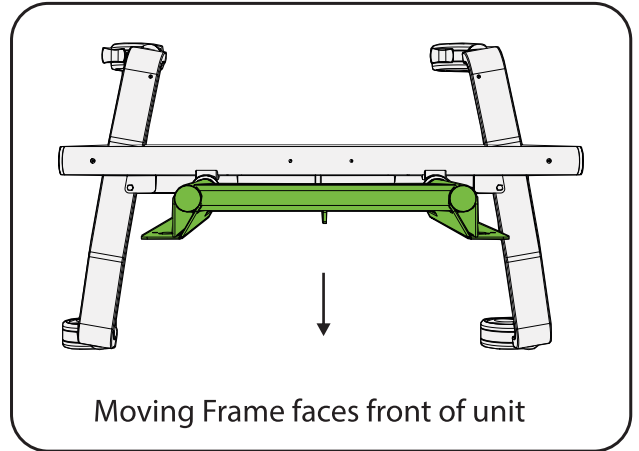
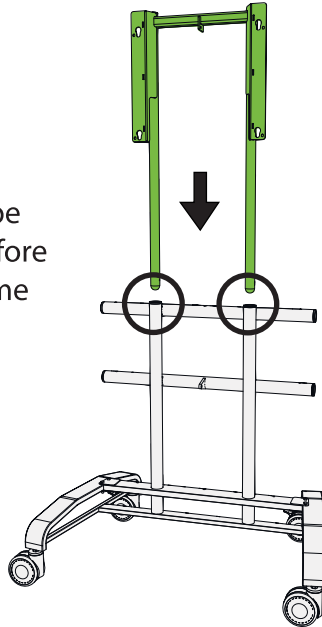
You will need: (Not to Scale)



Moving Frame  
1x

### Install Moving Frame

! Remove appliance tape from top bushings before installing Moving Frame

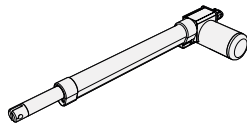


4

Actual Size:



You will need: (Not to Scale)



Electric Lift  
1x

Adjustable wrench (2x)

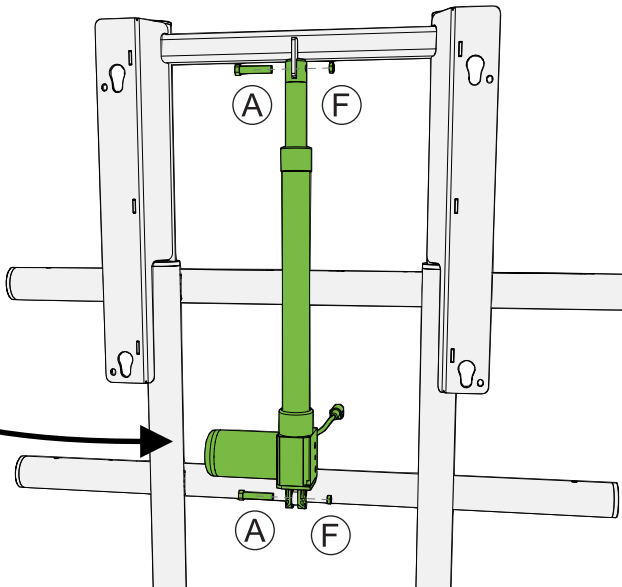


OR

9/16" Wrench (2x)

### Install Electric Lift

! Note orientation of the Electric Lift  
Tighten bolts



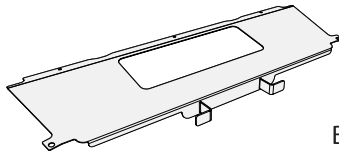


5

Actual Size:



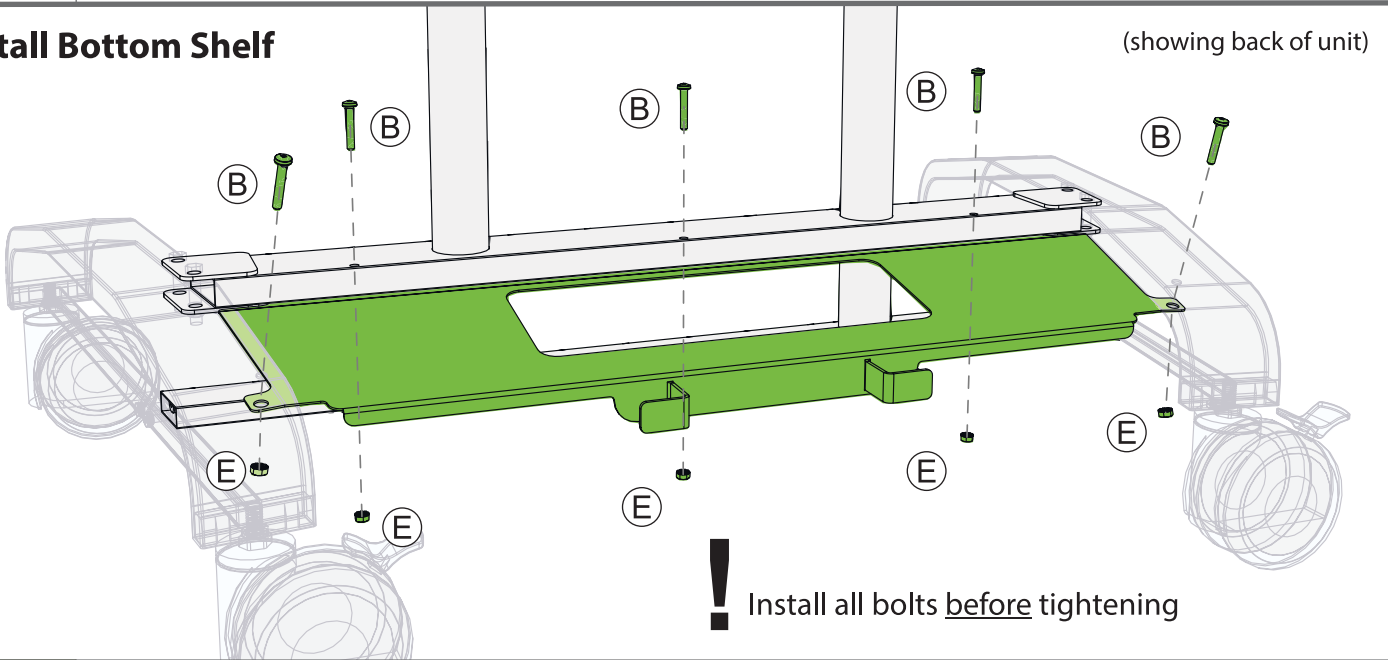
You will need: (Not to Scale)



Screwdriver

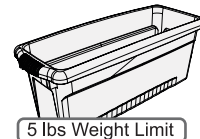
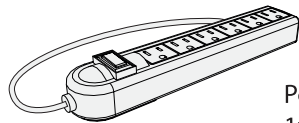


### Install Bottom Shelf



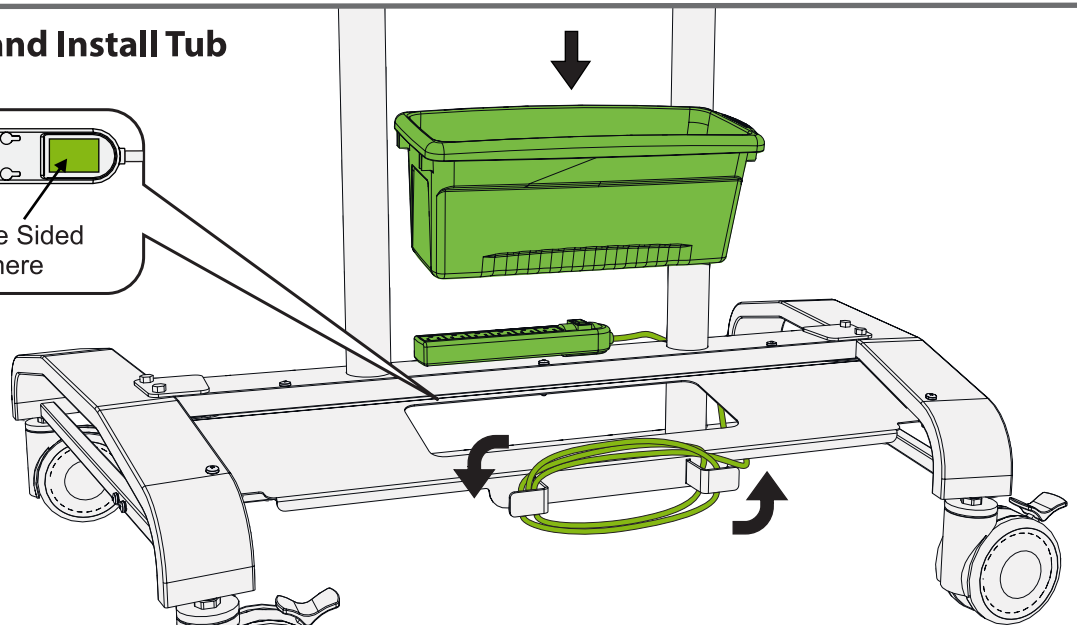
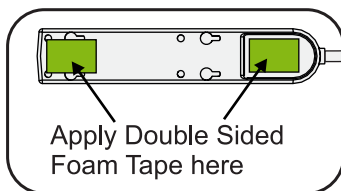
6

Actual Size:



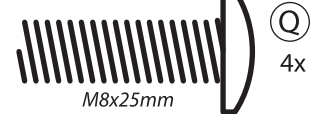
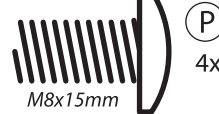
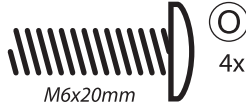
You will need: (Not to Scale)

### Attach Power Strip and Install Tub

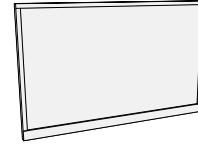
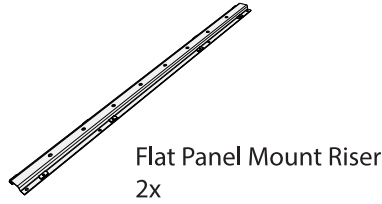


7

Actual Size:

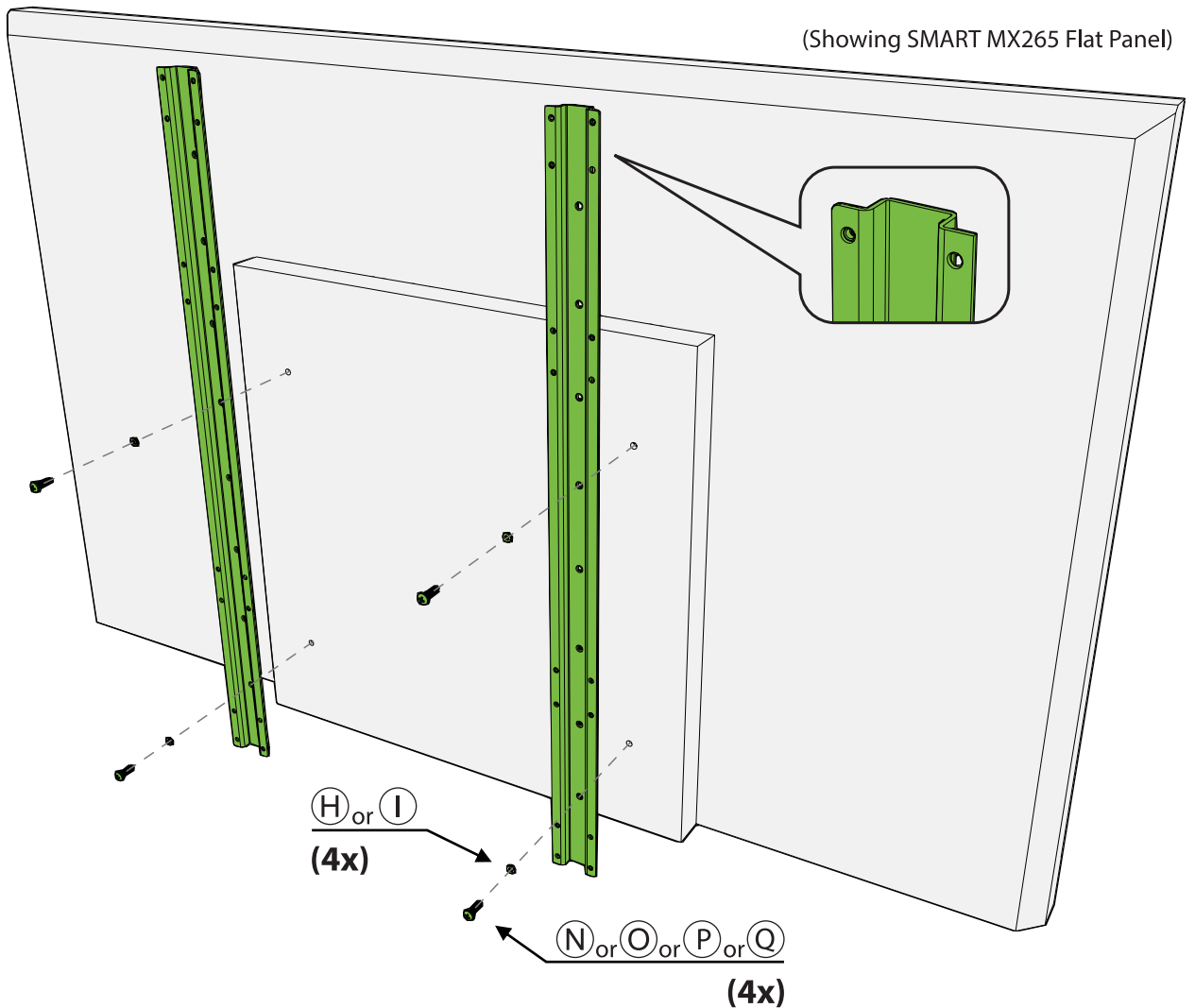


You will need: (Not to Scale)



### Attaching Your Flat Panel Mount Risers

**!** Check your flat panel owners manual to determine correct VESA screw size and torque specifications to avoid causing damage to your flat panel.



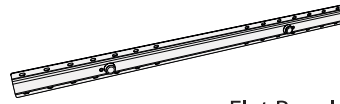
8

Actual Size:



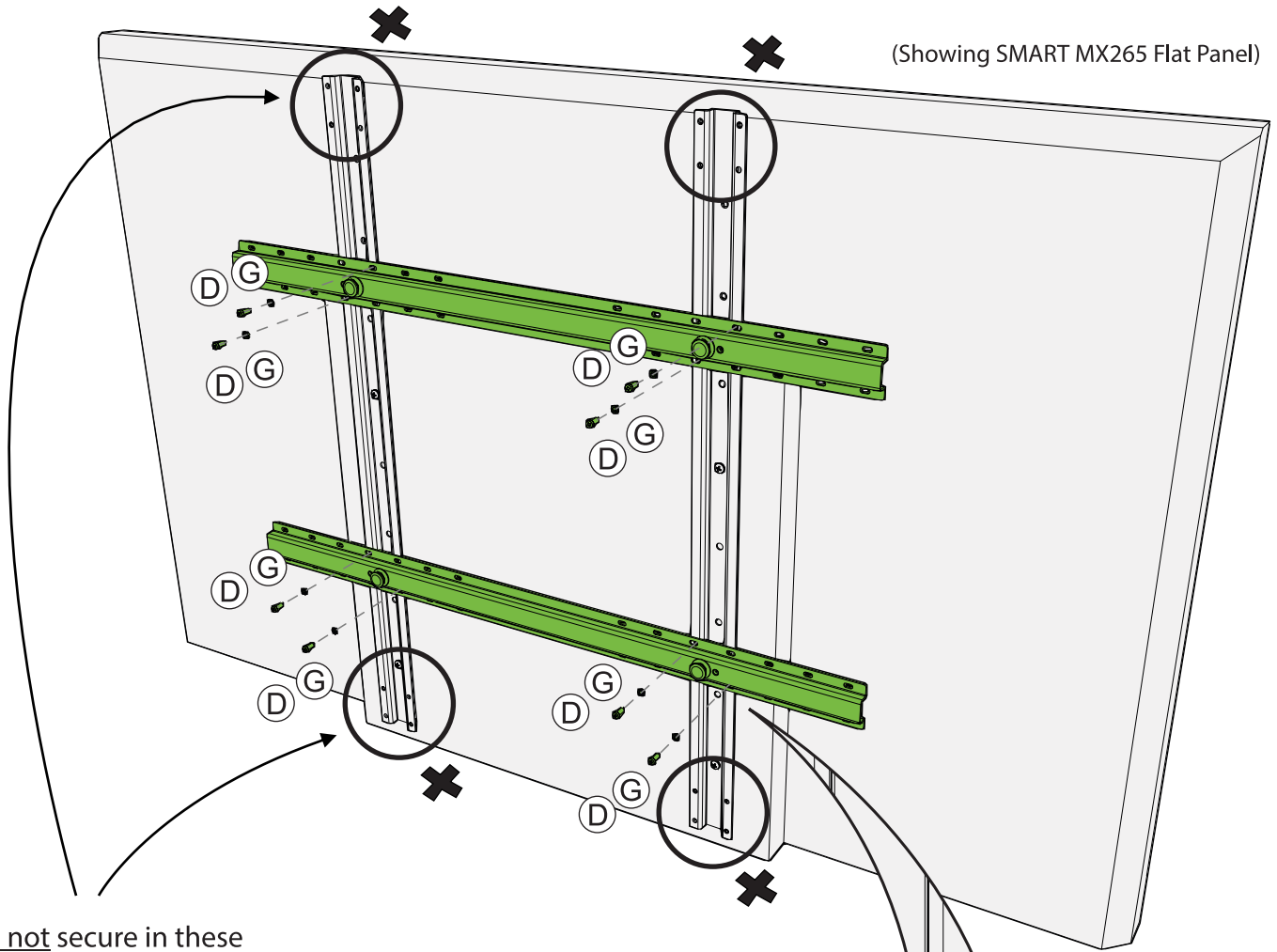
You will need: (Not to Scale)

Screwdriver  
⊕ Phillips #2 or #3



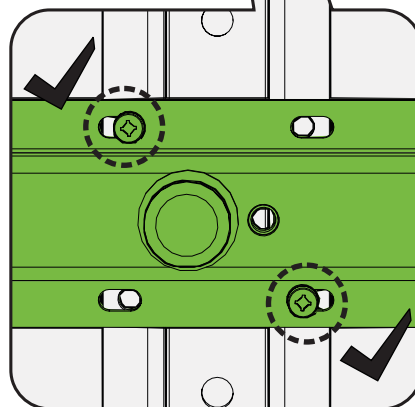
Flat Panel Mount Stretcher  
2x

### Install Flat Panel Mount Stretchers



**!** Do not secure in these holes, they are used for attaching an optional soundbar mount

**!** Install screws in holes with threads, only 2 of 4 holes will have threads



9

Actual Size:



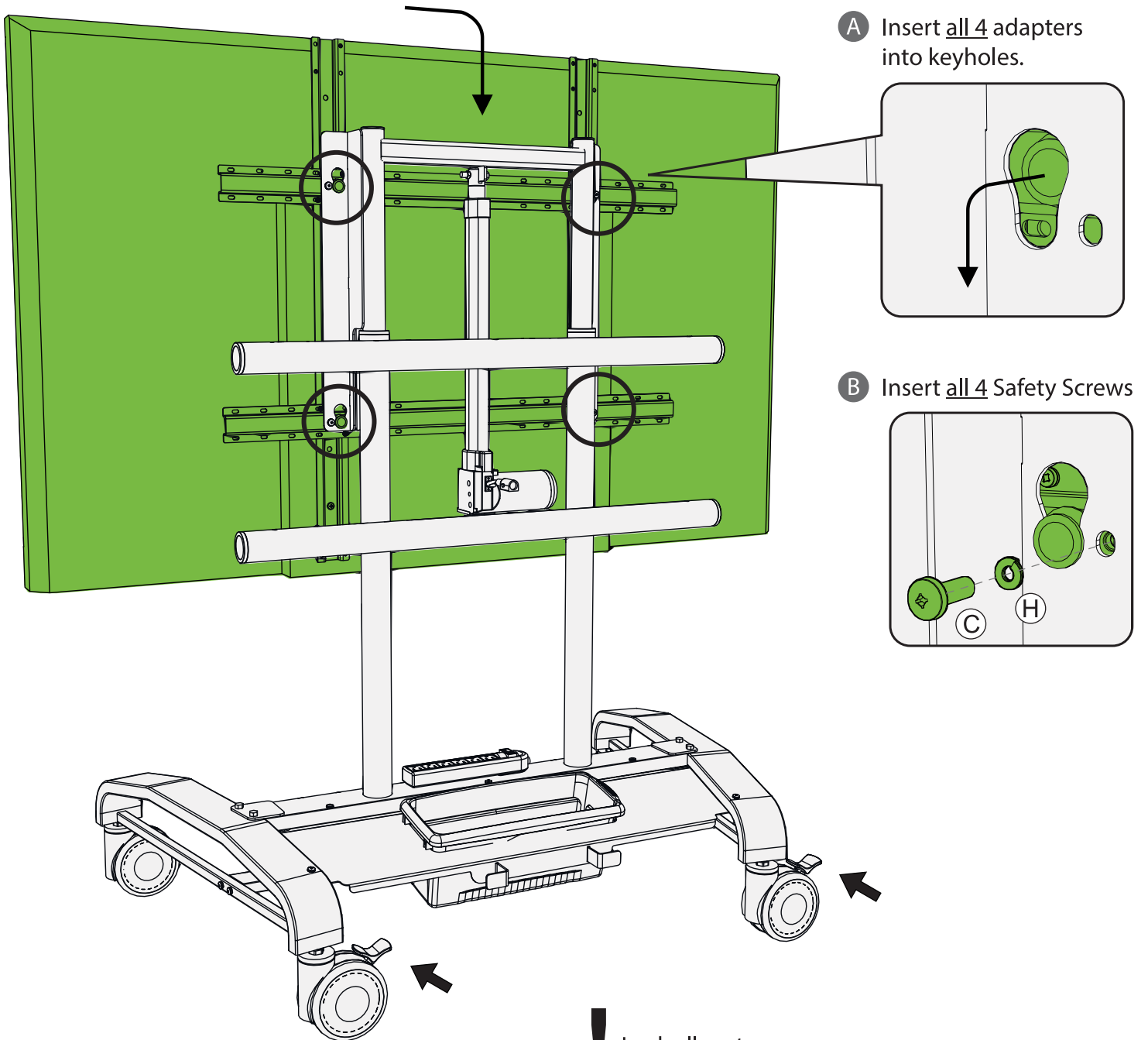
2-Person Task

You will need: (Not to Scale)

Screwdriver



## Secure Flat Panel To Cart



**A** Insert all 4 adapters into keyholes.

**B** Insert all 4 Safety Screws

**!** Lock all casters before attaching flat panel to cart

10

Actual Size:



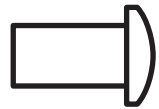
(K)  
4x



(R)  
8x

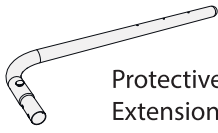


(L)  
4x

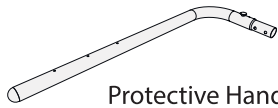


(M)  
8x

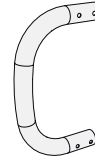
You will need: (Not to Scale)



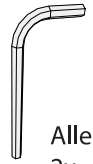
Protective Handle  
Extension Right  
2x



Protective Handle  
Extension Left  
2x



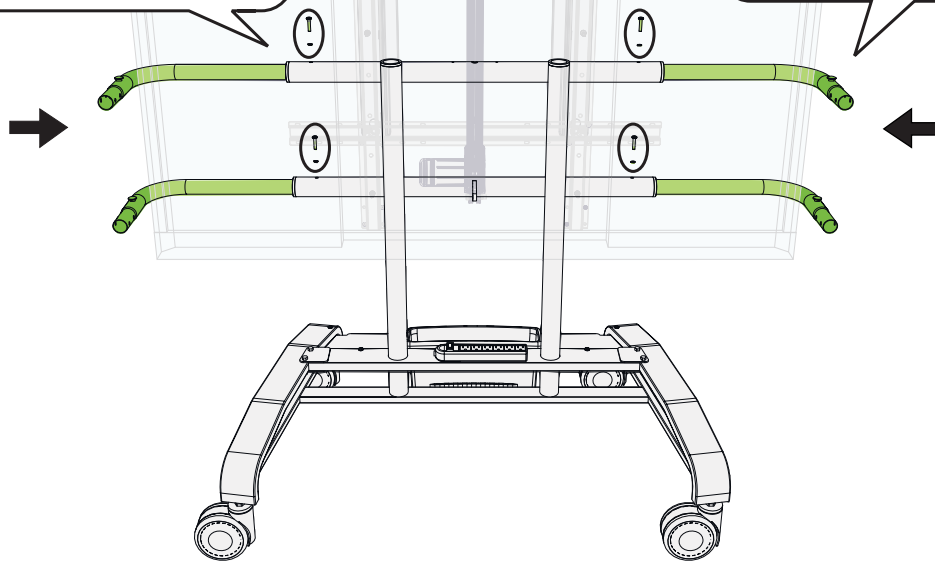
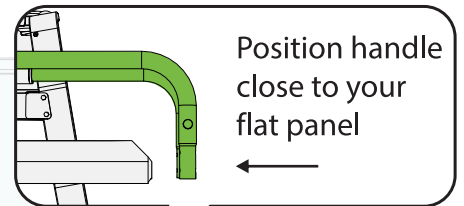
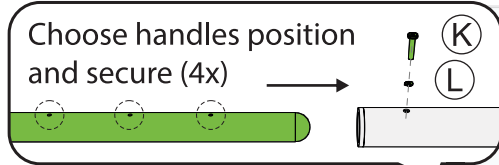
Protective Handle  
Front  
2x



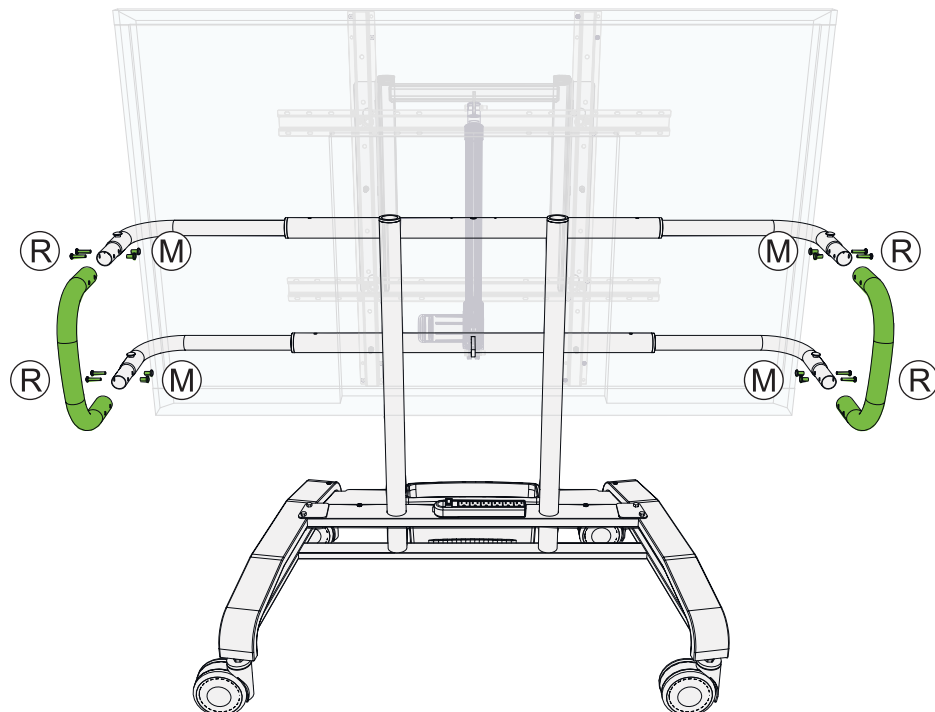
Allen Key  
2x

## Install Protective Handles

### A Position & Secure Handles Extensions



### B Install Protective Handles Fronts

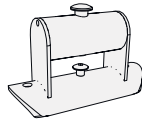


11

Actual Size:



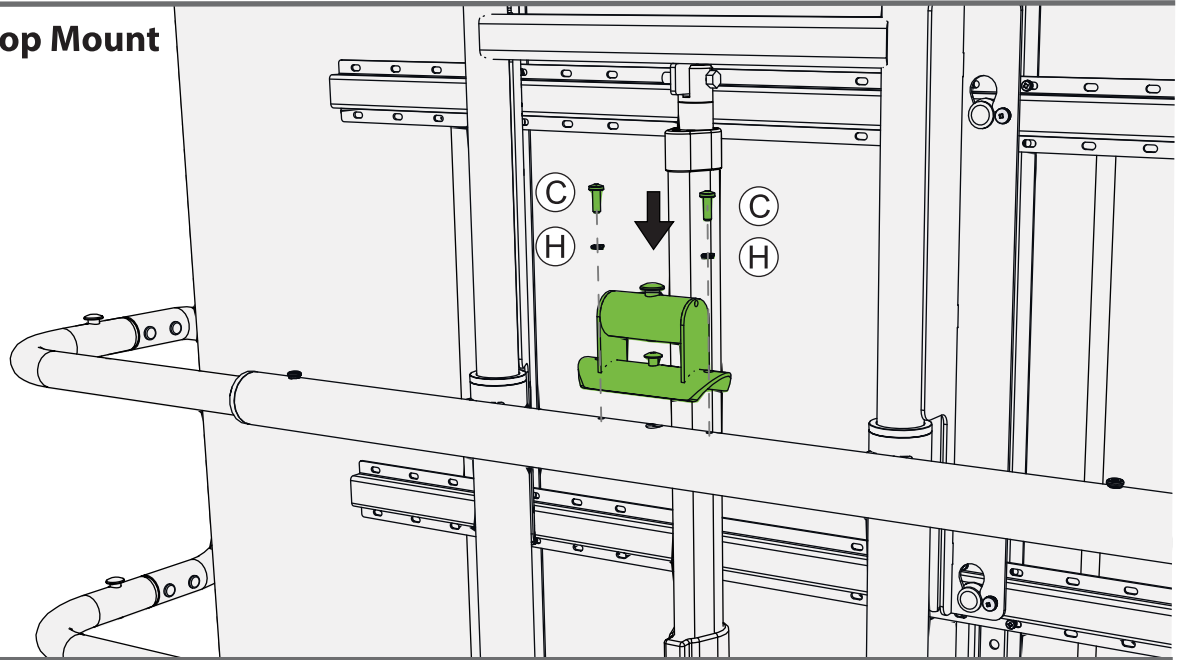
You will need: (Not to Scale)



Laptop Tray Rear Mount  
1x

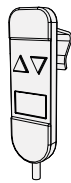
Screwdriver  
⊕ Phillips #2 or #3

### Install Rear Laptop Mount



12

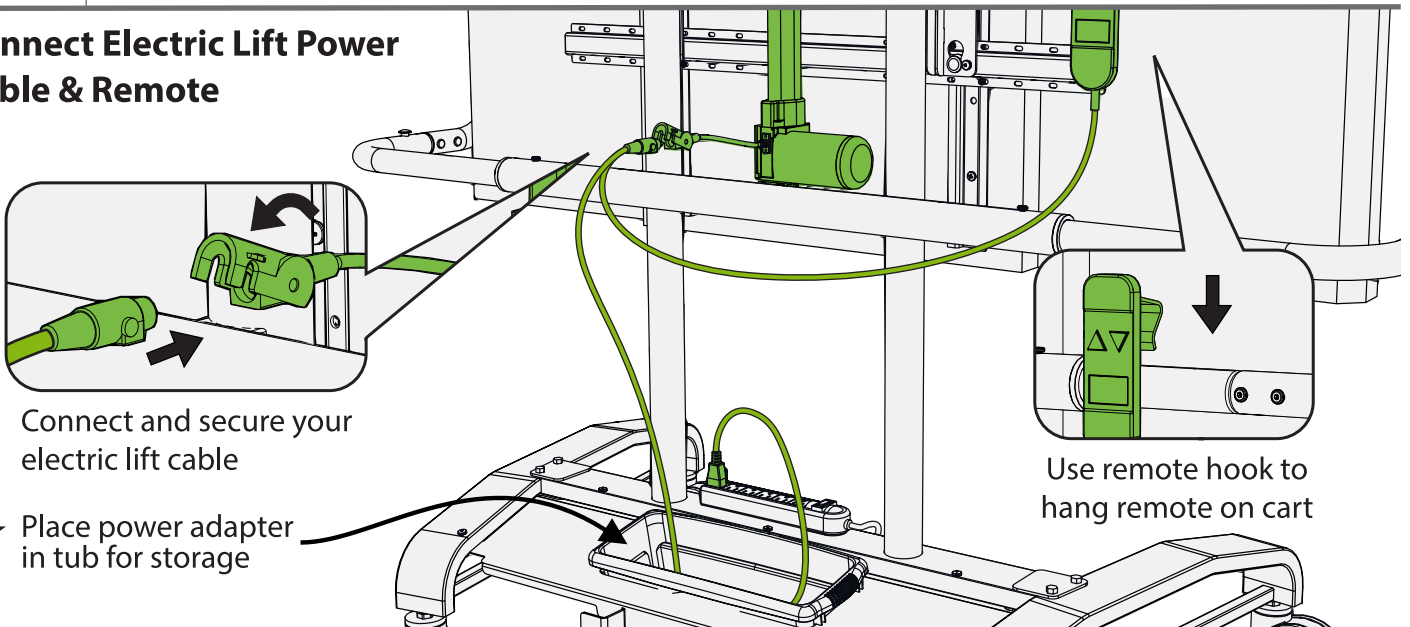
Actual Size:



Electric Lift Power Adapter & Remote  
1x

You will need: (Not to Scale)

### Connect Electric Lift Power Cable & Remote



Connect and secure your electric lift cable

Use remote hook to hang remote on cart

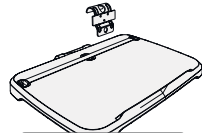
★ Place power adapter in tub for storage

13

Actual Size:



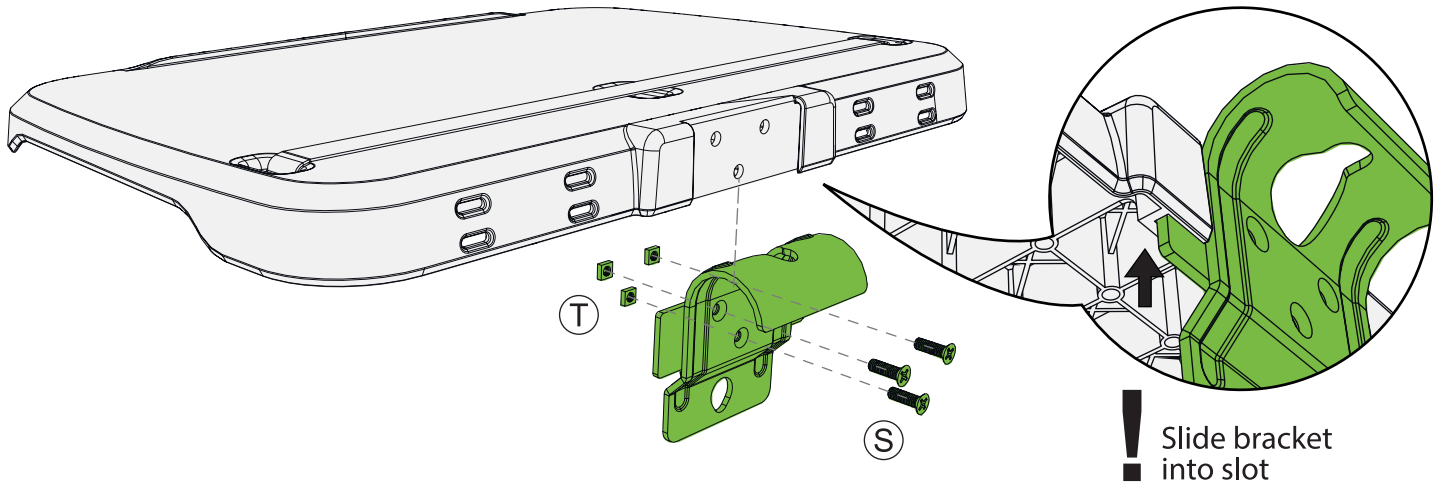
You will need: (Not to Scale)



20 lbs Weight Limit

Laptop Tray, Bracket, Hardware  
1x

### Assemble Laptop Tray



14

Actual Size:

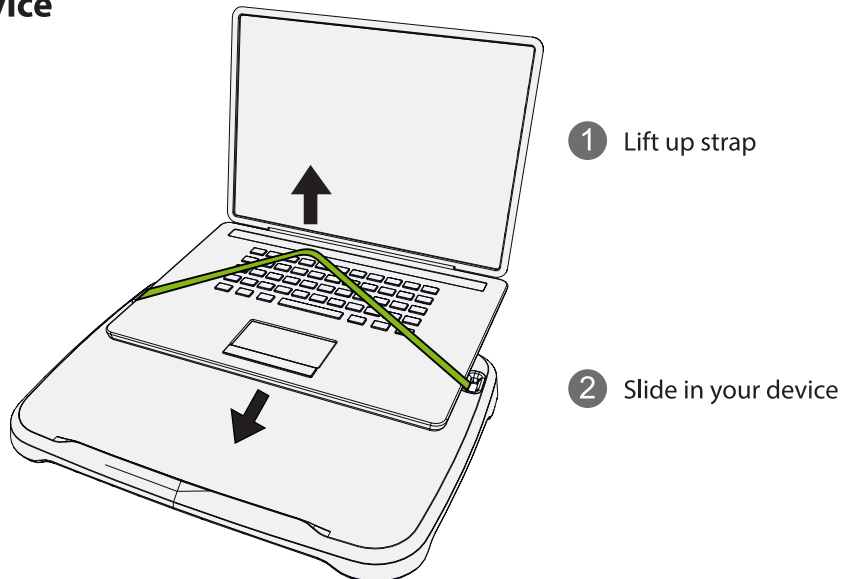
You will need: (Not to Scale)



20 lbs Weight Limit

Laptop Tray  
1x

### Securing Your Device



Actual Size:

You will need: (Not to Scale)

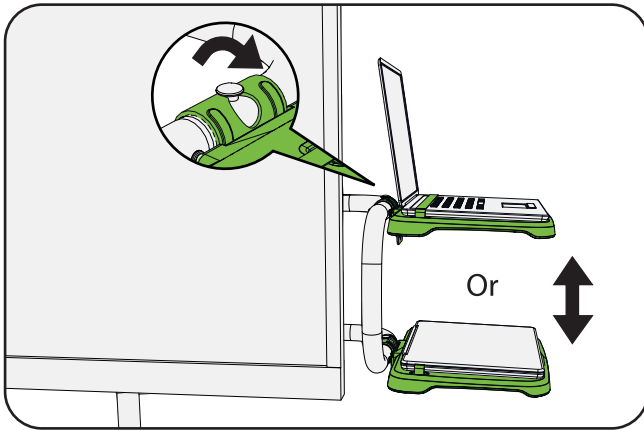


20 lbs Weight Limit

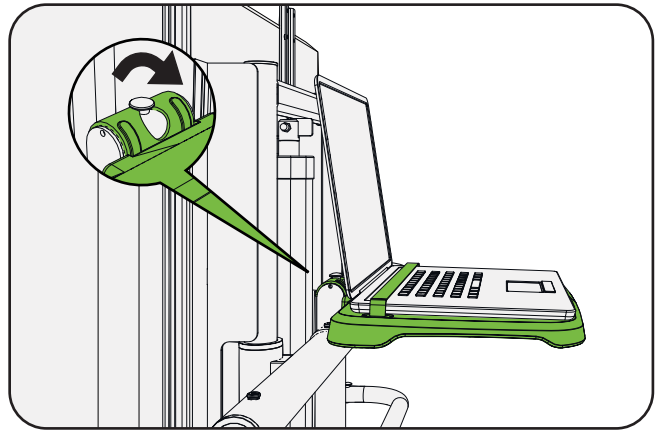
Laptop Tray  
1x

### Attaching Laptop Tray To Cart

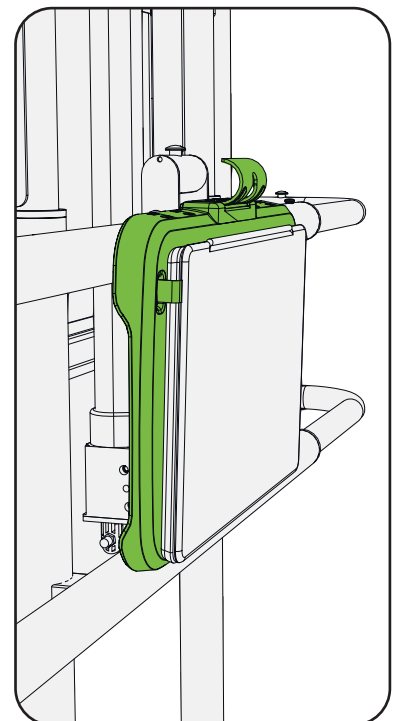
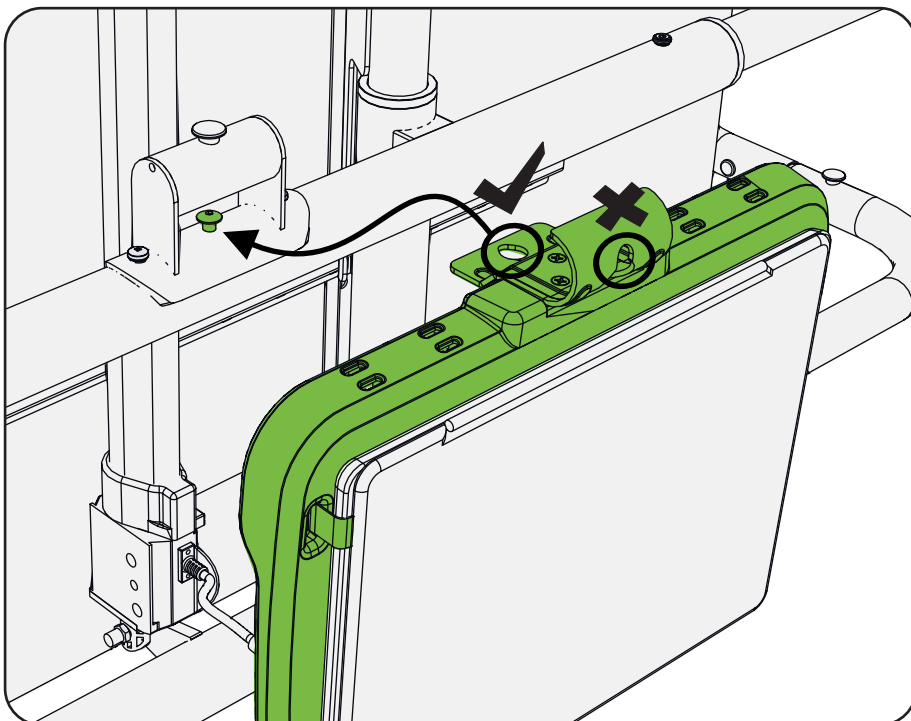
In-use Position On Left or Right Handles  
On Top or Bottom



In-use Position On  
Back of Cart



Storage Position On  
Back of Cart





Actual Size:

You will need: (Not to Scale)

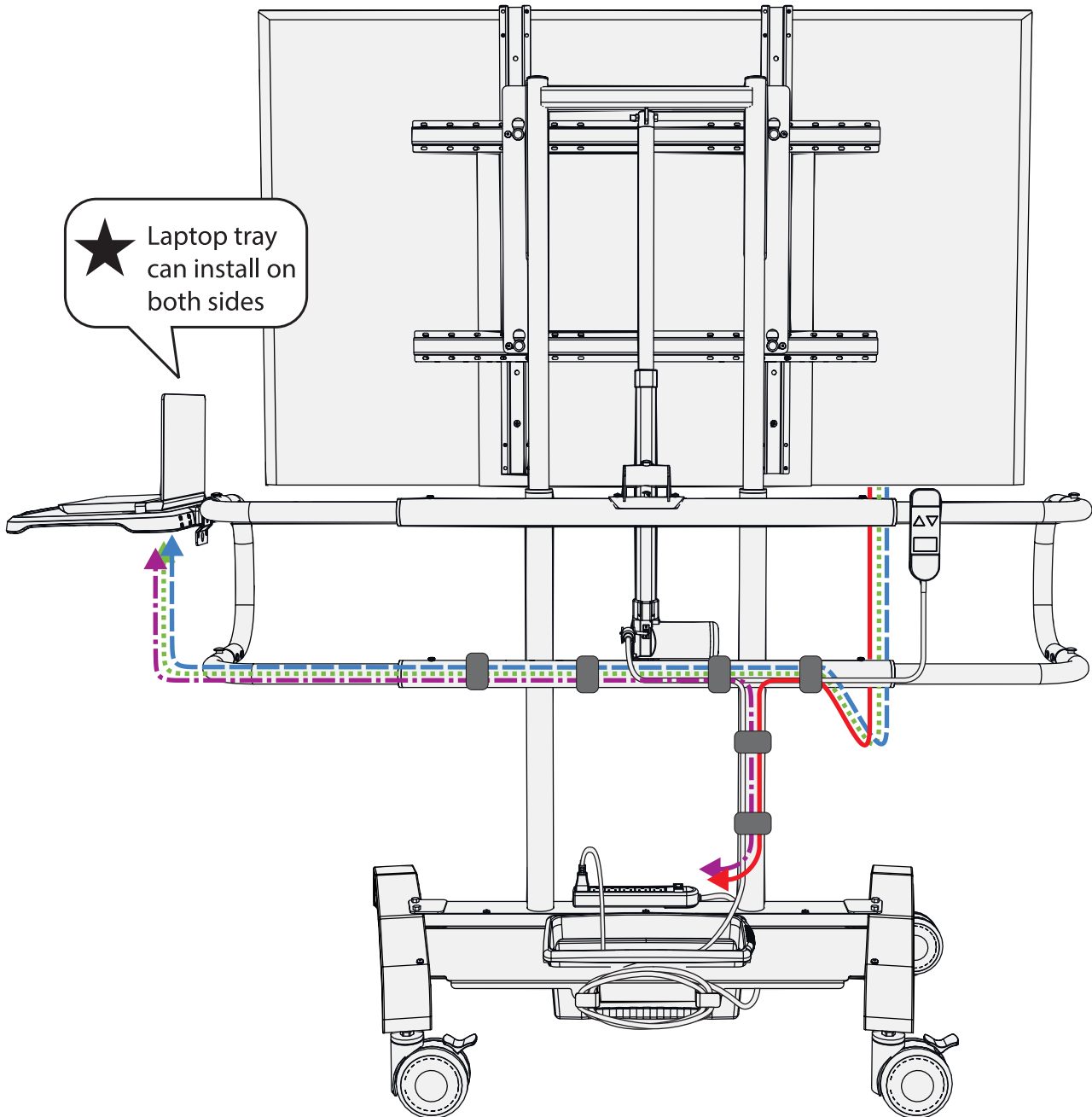


Hook & Loop Straps  
6x

- VGA/HDMI Cable
- USB Cable
- Flat Panel Power Cable
- Laptop/Computer Power Cable  
(items not included with IFP500)

## Cable Routing

**!** Raise flat panel to max height before routing cables.  
**■** This ensures they have enough length when adjusting cart height.



17

Actual Size:

You will need: (Not to Scale)

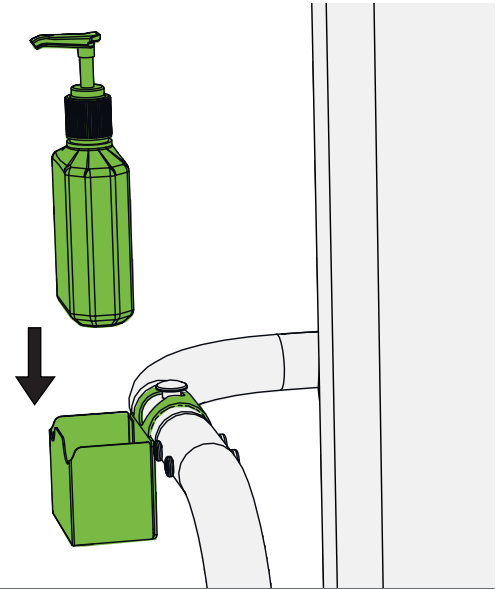
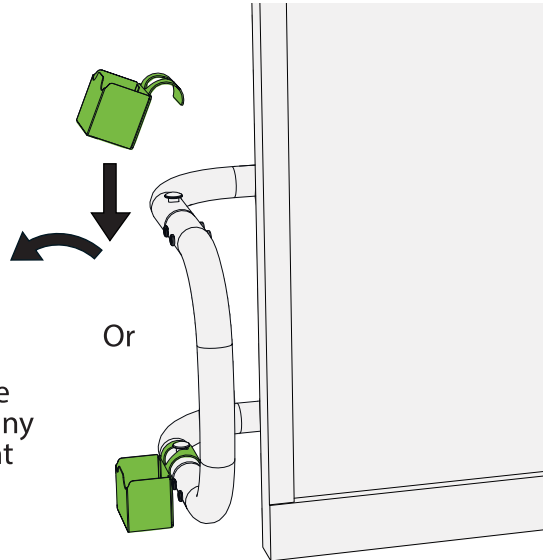


Hand Sanitizer Bottle Holder  
1x

### Attach Hand Sanitizer Bottle Holder

\*Hand sanitizer not included

! Holder can be installed on any handle mount




18

Actual Size:

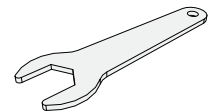
You will need: (Not to Scale)

Screwdriver  
+ Phillips #2 or #3

+

Adjustable wrench (2x)  
  
**OR**  
7/16" Wrench (2x)  
9/16" Wrench (2x)

+

  
Caster Wrench  
1x

### Final Assembly Checks

Check entire assembly for loose parts; tighten all casters, bolts, screws and nuts

! Tighten all casters using supplied Caster Wrench.  
Keep wrench with unit. Casters must be tightened every 6 months for proper maintenance.



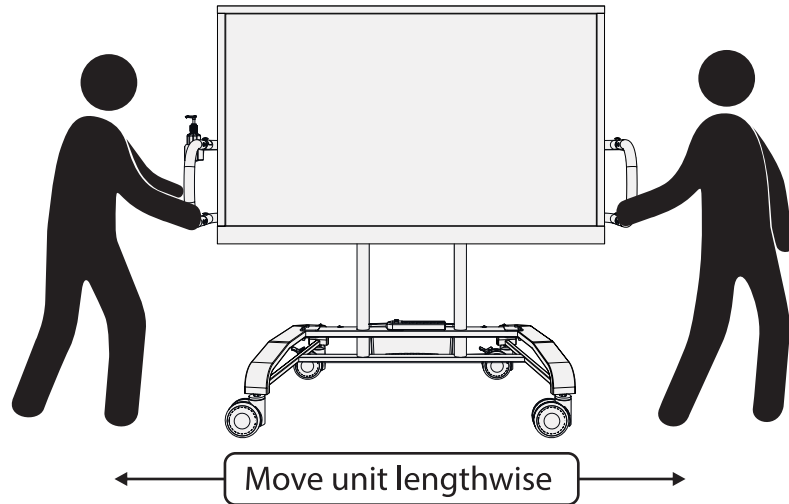
# Moving Your Flat Panel Cart

**Always move with two people.**

**To transport unit:** ensure your flat panel is in the lowest height & always turn off and unplug the power strip before moving. Wrap up any cable before moving unit.

! Secure laptop tray before moving

! Always lock casters when not in use



## Lower Flat Panel Before Moving Through Door

When moving your iRover<sup>2</sup> Interactive Flat Panel Cart through a door ensure that the unit is sitting at the lowest height to avoid hitting the top of the door frame. To adjust the height of the flat panel:

- Connect the Electric Lift (see assembly Step 12)
- Plug in the power strip and turn it on
- Use buttons on remote to raise and lower flat panel

