



## Assembly Guide

Check out our other products online at [www.copernicused.com](http://www.copernicused.com)

For assistance, please contact us by telephone at **1-800-267-8494** or email at [info@copernicused.com](mailto:info@copernicused.com).

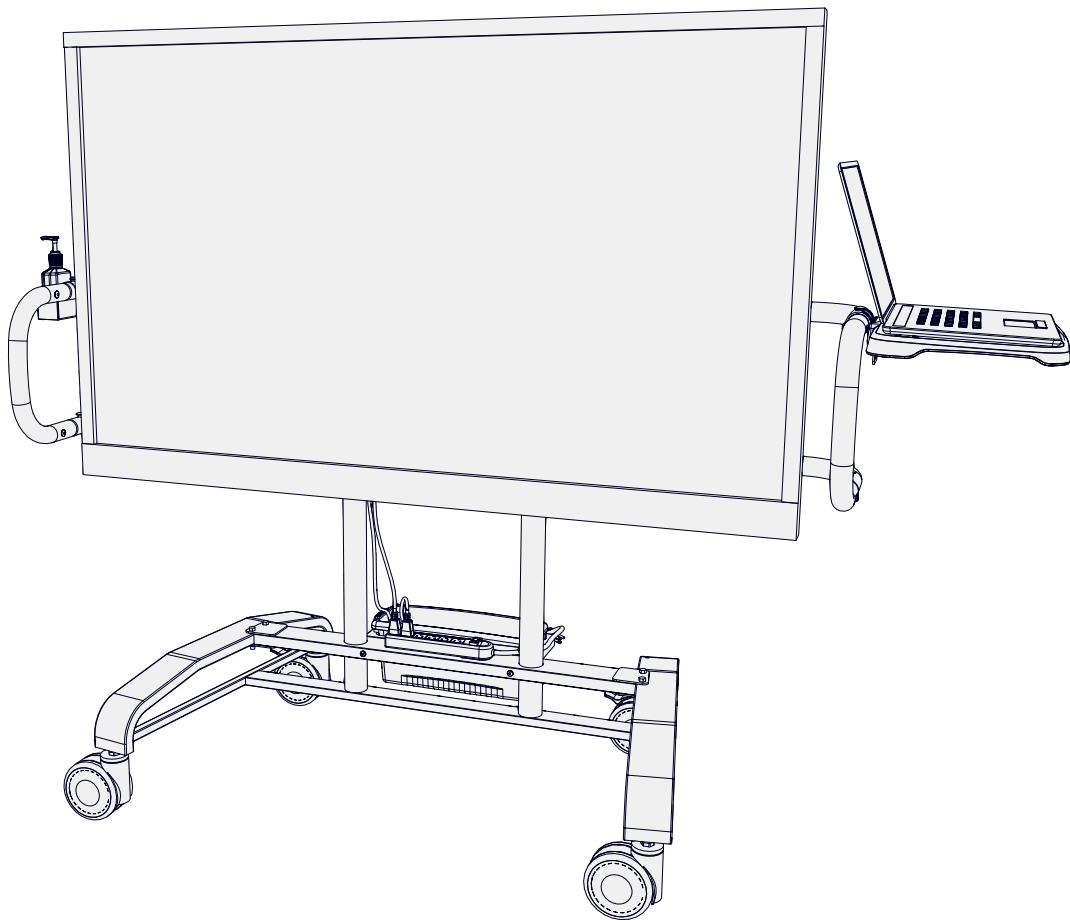
Have your packing slip ready for reference.

### WARNING !

- This product is meant to be assembled by an adult.
- In its unassembled state, small parts present a hazard.
- To be used under direct supervision of an adult.
- This cart is intended for institutional use.

\*Shown with SMART MX265 Flat Panel (sold separately)

\*Laptop not included



**Warning – Supports a maximum screen size of 90".**

**Warning – For use with flat panel screens weighing 250 lbs (113.4 Kg) or less. Use with heavier flat panel screens may result in instability causing tip over resulting in death or serious injury.**



**Avertissement – Peut supporter une taille d'écran maximale de 90".**

**Avertissement – À utiliser seulement avec des écrans plats pesant jusqu'à 250 lb (113,4 kg) ou moins. L'utilisation avec des écrans plats plus lourds peut causer une instabilité provoquant un basculement qui risque la mort ou des blessures graves.**

# Customer Service & Warranty Information

Dear Educator,

Thank you for purchasing the iRover2™ for Interactive Flat Panels. We hope it meets your expectations and you and your students enjoy using it at your school.

Every day we see and hear stories of teachers going above and beyond to help students thrive. Thank you so much for all you do – you are awesome, and you make a difference.

Thank you for inspiring us.

If you have any questions, concerns or ideas on how we can improve please let us know by contacting our Customer Solutions Ninjas at 1-800-267-8494 or [info@copernicused.com](mailto:info@copernicused.com).

Happy teaching,

Kaylyn Belcourt, President  
[kaylyn@copernicused.com](mailto:kaylyn@copernicused.com)



We do not inherit the earth from our ancestors, we borrow it from our children.

- NATIVE AMERICAN PROVERB

Change is the end result of all true learning.

- LEO BUSCAGLIA

What you leave behind is not what is engraved in stone monuments, but what is woven into the lives of others.

- PERICLES

Education is the most powerful weapon which you can use to change the world.

- NELSON MANDELA

## For missing parts and other issues regarding your product:

Please contact Customer Service, where we will be happy to help.  
Telephone: 1-800-267-8494, Monday - Friday 8:00am - 4:30 pm EST  
Email: [info@copernicused.com](mailto:info@copernicused.com)

**Need Support?  
Have a Question?**



[Email Customer Service](mailto:info@copernicused.com)

**Check out some of our  
other great products!**



[www.copernicused.com](http://www.copernicused.com)

## My flat panel isn't working, who should I call?

Please contact the reseller that you bought the product from.  
Reseller information can be found on your packing slip.

**Lifetime**  
Frame Warranty

### Register your Product

Registering your warranty ensures we have all the information we need to make any future warranty claims quick and easy. Please visit [www.copernicused.com/warranty](http://www.copernicused.com/warranty) and complete the form within 10 business days from product assembly. By registering your product, you will be entered into a draw to win Copernicus product.

**5 Year**  
Electric Lift  
Warranty

### Make a Warranty Claim

We offer a Lifetime Warranty on almost everything we make. Please call 1-800-267-8494 or email [info@copernicused.com](mailto:info@copernicused.com) to start your warranty claim. Proof of purchase will be required upon warranty claim (i.e. copy of invoice).

# Tips for Assembly

## Before You Begin:

- Lay out and identify all of the included parts.
- The hardware has been packed according to together in one bag.
- Read the assembly guide over once to familiarize yourself with them.

## As You Assemble the Unit:

- Follow the steps in sequence.
- Before beginning each step, find the part(s) that you need for that step.
- The title of each step states what you will be doing. Review the text and the pictures as you build the unit.

## Watch for These Helpful Symbols:



2-Person Task

For safety, please have someone help you when working on steps displaying this symbol.



The symbol denotes a step needing extra attention to ensure it is done correctly.



# Important Information! Warning!

Please read the warnings below for important safety information regarding your product. Failure to read these warnings or to follow the instructions below could result in personal injury or damage to your product that could void your warranty.



### Small Parts

In its unassembled state, this product contains parts that can be hazardous to small children. This product should be assembled by an adult.



### Adult Supervision

This product is to be used under the supervision of an adult.



### Climb Hazard

Do not climb on, hang from or suspend objects from any components of your product unless otherwise specified.



### Indoor Use Only

This product is intended for indoor commercial use only. To reduce the risk of fire or electric shock, do not expose this product to rain or moisture. The internal components are not sealed from the environment.



### Power Strip Specifications

Read your power strip electrical specifications. Only plug in devices that are approved for use with this power strip. Connect the supplied power strip directly to a wall outlet.

**Do not connect to another power strip or use an extension cord.** Turn off power strip before unplugging. Unplug when not in use.



### Electronic Equipment

Read the electrical specifications of any electronic equipment you are using with your Copernicus products. Failure to read these specifications and follow their instructions could result in damage to your equipment or personal injury.



### Cable Trip Hazard

Ensure that any cables extending across the floor to your product are properly bundled and marked to avoid tripping or falling which may lead to personal injury.



### Electrical Shock

Do not install or use the electrical components of this unit during a lightning storm.

# Parts

## Before beginning, you should have:

Additional tools required:

Adjustable wrench (2x)



**OR**

7/16" Wrench (2x)

9/16" Wrench (2x)

**+**

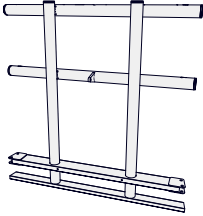
Screwdriver



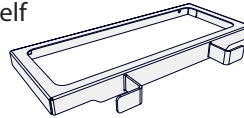
Phillips #2 or #3

### Contents IFP500-0

Base Frame  
(51115)  
**1x**

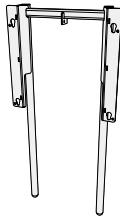


Bottom Shelf  
(32340)  
**1x**

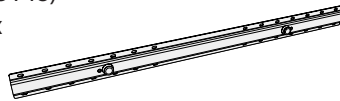


### Contents IFP500-1

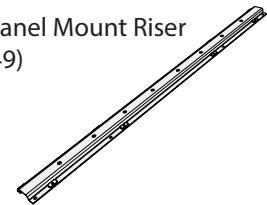
Moving Frame  
(33158)  
**1x**



Flat Panel Mount Stretcher  
(33148)  
**2x**



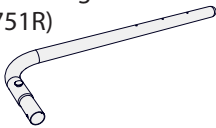
Flat Panel Mount Riser  
(33149)  
**2x**



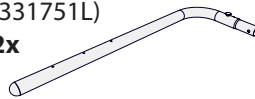
### Contents IFP500-2

... hardware on following page

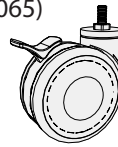
Protective Handle  
Extension Right  
(331751R)  
**2x**



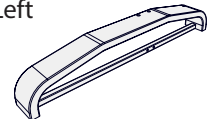
Protective Handle  
Extension Left  
(331751L)  
**2x**



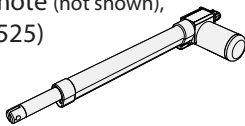
5" Locking Caster  
(410065)  
**2x**



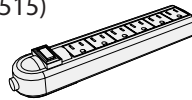
Base Foot Left  
(33188L)  
**1x**



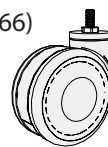
Electric Lift,  
Adapter (not shown),  
Remote (not shown),  
(25525)  
**1x**



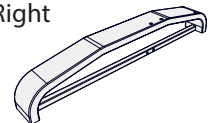
Power Strip  
(25515)  
**1x**



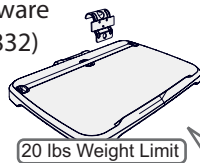
5" Caster  
(410066)  
**2x**



Base Foot Right  
(33188R)  
**1x**

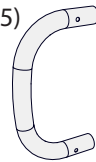


Laptop Tray, Bracket,  
Hardware  
(320832)  
**1x**

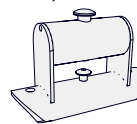


20 lbs Weight Limit

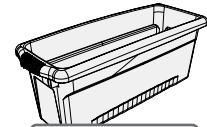
Protective Handle  
Front  
(33175)  
**2x**



Laptop Tray Rear  
Mount  
(340861)  
**1x**

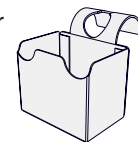


Small Tub  
(CC4070-B)  
**1x**



5 lbs Weight Limit

Hand Sanitizer  
Bottle Holder  
(32310)  
**1x**



**S** M5 x 16mm Screw  
**3x**



**T** M5 Square Nut  
**3x**










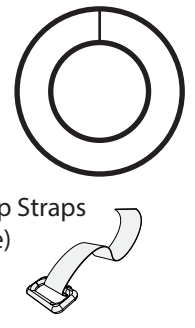


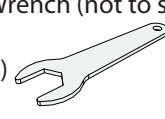
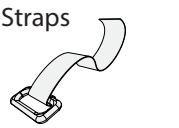
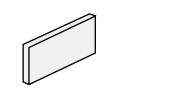


\*Laptop Tray and hardware packaged together



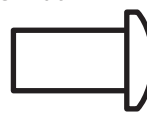
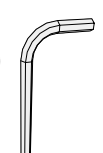

# Hardware

## Before beginning, you should have:




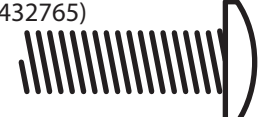

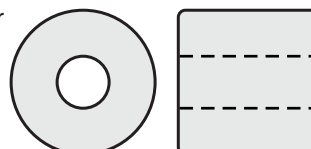
### Hardware Actual Size

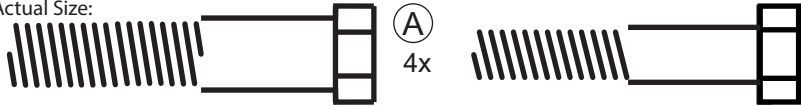



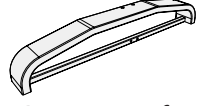
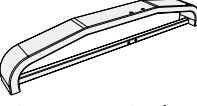
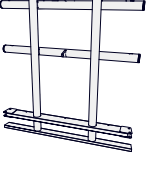

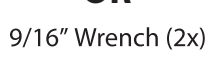
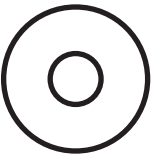
- |  |  |   |   |
|--|--|---|---|
| <p><b>(A)</b> 3/8" x 1-3/4" Bolt<br/><b>6x</b><br/>(430204)</p>                   | <p><b>(E)</b> 1/4" Keps Lock Nut<br/><b>2x</b><br/>(4301621)</p>   | <p><b>(H)</b> 1/4" Lock Washer<br/><b>14x</b><br/>(43010)</p>    |   |
| <p><b>(T)</b> 1/4" x 3-1/2" Screw<br/><b>2x</b><br/>(430091)</p>                  |  |   |   |
| <p><b>(B)</b> 1/4" x 1-1/2" Bolt<br/><b>4x</b><br/>(4302060)</p>                  | <p><b>(F)</b> 3/8" Lock Nut<br/><b>6x</b><br/>(430122)</p>         | <p><b>(I)</b> 5/16" Lock Washer<br/><b>4x</b><br/>(43025)</p>    |   |
| <p><b>(C)</b> 1/4" x 3/4" Self Tapping Screw<br/><b>6x</b><br/>(4300510)</p>      | <p><b>(G)</b> #10-24" Lock Washer<br/><b>8x</b><br/>(4301002)</p>  | <p><b>(J)</b> 1/2" Lock Washer<br/><b>4x</b><br/>(43010211)</p>  |   |
| <p><b>(D)</b> #10-24 x 1/2" Self Tapping Screw<br/><b>8x</b><br/>(4302012)</p>  | <p><b>(U)</b> 1/4" Flat Washer<br/><b>4x</b><br/>(430192)</p>      | <p>Caster Wrench (not to scale)<br/><b>1x</b><br/>(32095S)</p>  |   |
|  |  |   | <p>Hook &amp; Loop Straps (not to scale)<br/><b>6x</b><br/>(433211)</p>  <p>Double Sided Foam Tape (not to scale)<br/><b>2x</b><br/>(700012)</p>  |

### Metric Hardware for Protective Handles

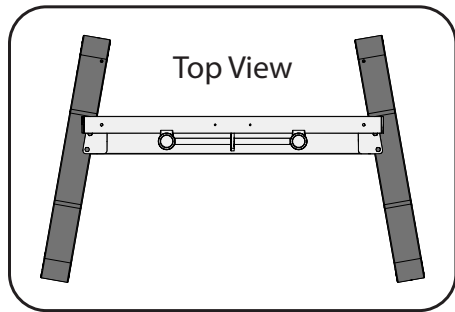
- |  |  |   |   |
|--|--|---|---|
| <p><b>(K)</b> M6 x 15mm Screw<br/><b>4x</b><br/>(43215)</p>                     | <p><b>(L)</b> M6 Lock Washer<br/><b>4x</b><br/>(43273)</p>  | <p><b>(M)</b> M6 Barrel Nut<br/><b>4x</b><br/>(43272)</p>  | <p>Allen Key (not to scale)<br/><b>2x</b><br/>(43281)</p>  |
| <p><b>(R)</b> M6 x 30mm Screw (with thread lock)<br/><b>4x</b><br/>(43231)</p>  |  |   |   |

### Metric Hardware for VESA Mounting

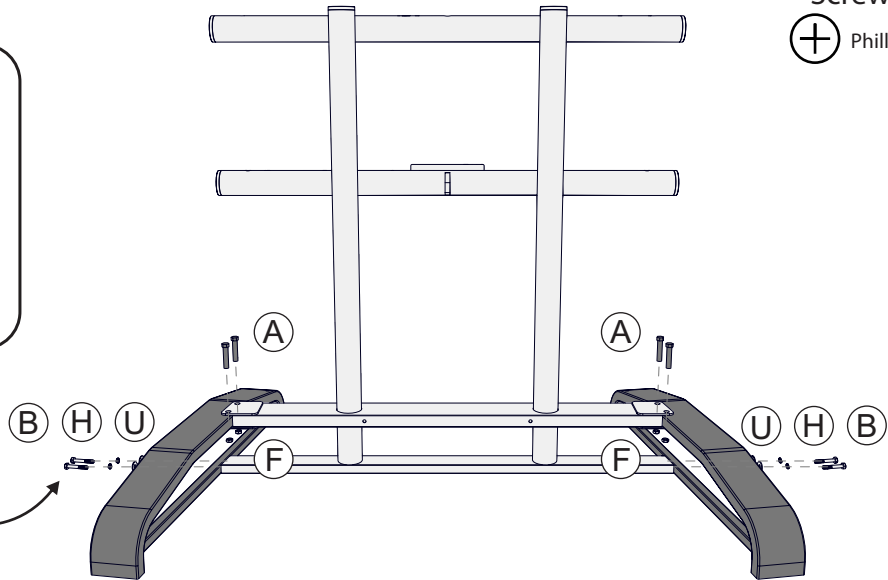
- |   |  |  |   |
|---|--|--|---|
| <p><b>(N)</b> M6 x 15mm VESA Screw<br/><b>4x</b><br/>(432151)</p>  | <p><b>(O)</b> M6 x 20mm VESA Screw<br/><b>4x</b><br/>(43222)</p>  | <p><b>(P)</b> M8 x 15mm VESA Screw<br/><b>4x</b><br/>(432764)</p>  | <p><b>(Q)</b> M8 x 25mm VESA Screw<br/><b>4x</b><br/>(432765)</p>  |
| <p><b>(S)</b> M8 x 40mm<br/><b>4x</b><br/>(432762)</p>             | <p><b>(T)</b> 3/4" Spacer<br/><b>4x</b><br/>(4303141)</p>        |  |   |

<b>1</b>	Actual Size:  <b>A</b> 4x <b>B</b> 4x  <b>F</b> 4x  <b>H</b> 4x
 2-Person Task	You will need: (Not to Scale)  Base Foot Left 1x  Base Foot Right 1x  Base Frame 1x  Adjustable wrench (2x) <b>OR</b>  9/16" Wrench (2x)  <b>U</b> 4x

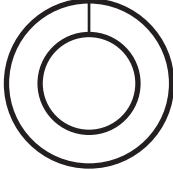

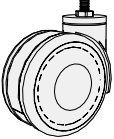
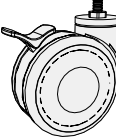

## Assemble Base Frame



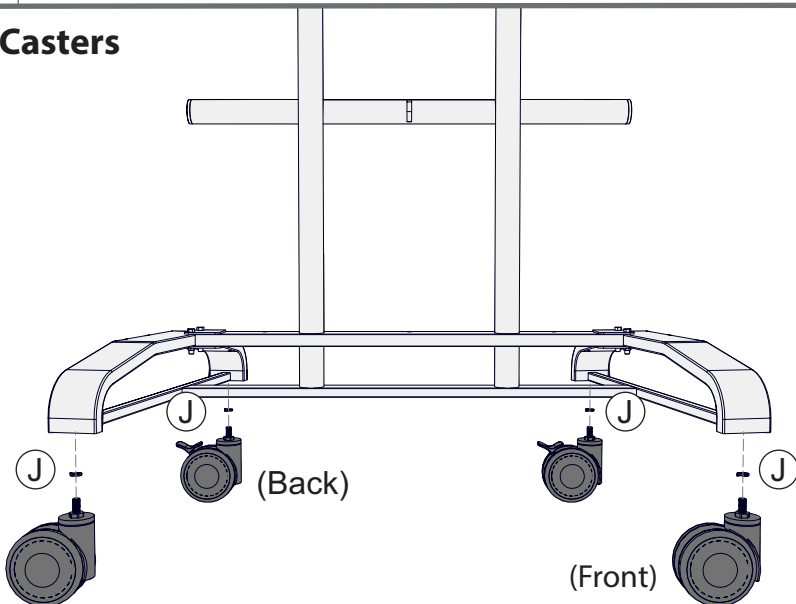
Tip: Tighten side bolts first



Screwdriver  
 Phillips #2 or #3

<b>2</b>	Actual Size:  <b>J</b> 4x
 2-Person Task	You will need: (Not to Scale)  5" Caster 2x  5" Locking Caster 2x  Caster Wrench 1x

## Install Casters



Tip: tilt your unit on its back for easier caster installation

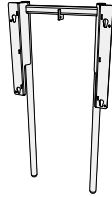


Install locking casters on back of unit and tighten using supplied Caster Wrench.

3

Actual Size:

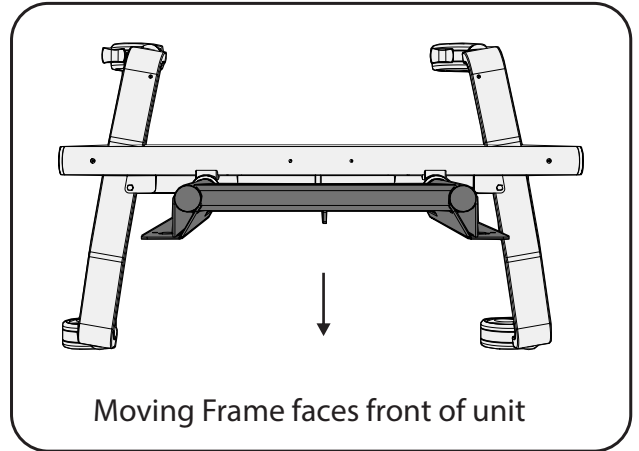
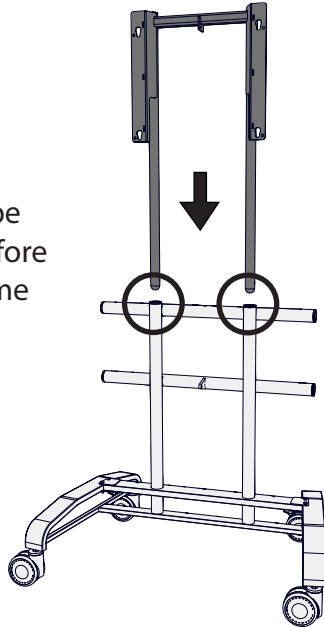
You will need: (Not to Scale)



Moving Frame  
1x

### Install Moving Frame

! Remove appliance tape from top bushings before installing Moving Frame

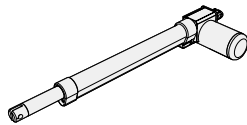


4

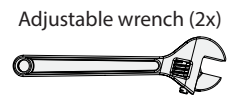
Actual Size:



You will need: (Not to Scale)



Electric Lift  
1x



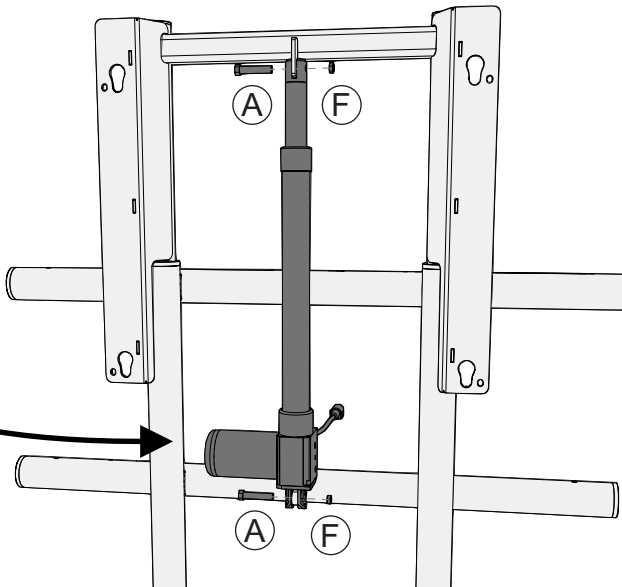
Adjustable wrench (2x)

OR

9/16" Wrench (2x)

### Install Electric Lift

! Note orientation of the Electric Lift  
Tighten bolts



5

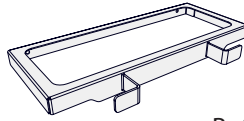
Actual Size:



T  
2x

E  
2x

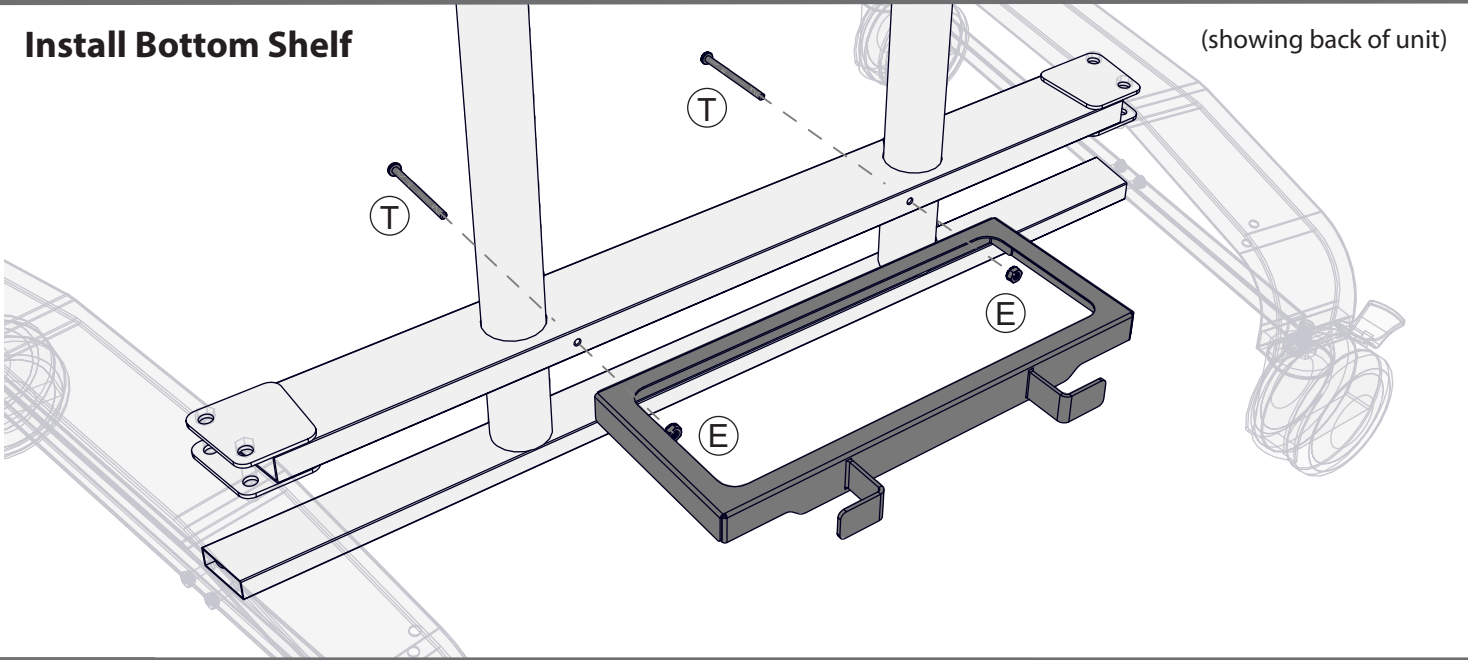
You will need: (Not to Scale)



Bottom Shelf  
1x

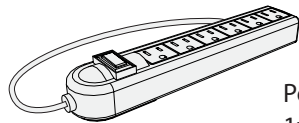
Screwdriver  
⊕ Phillips #2 or #3

### Install Bottom Shelf

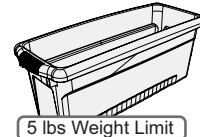


6

Actual Size:



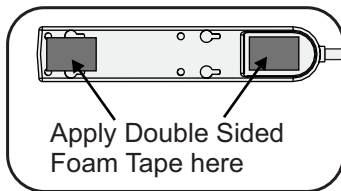
Power Strip  
1x



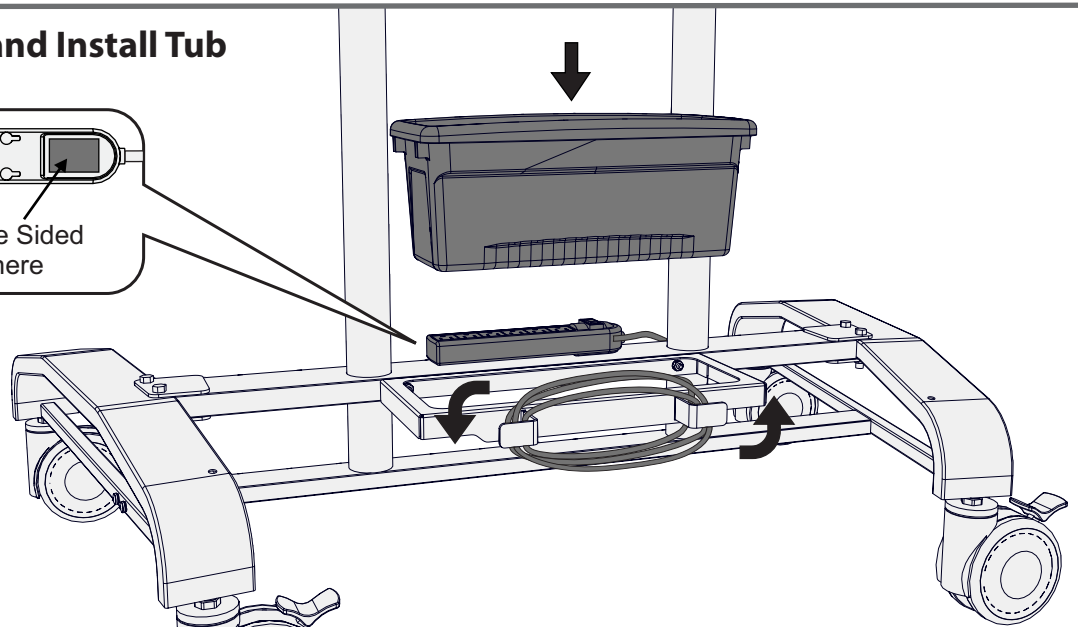
Small Tub  
1x

You will need: (Not to Scale)

### Attach Power Strip and Install Tub



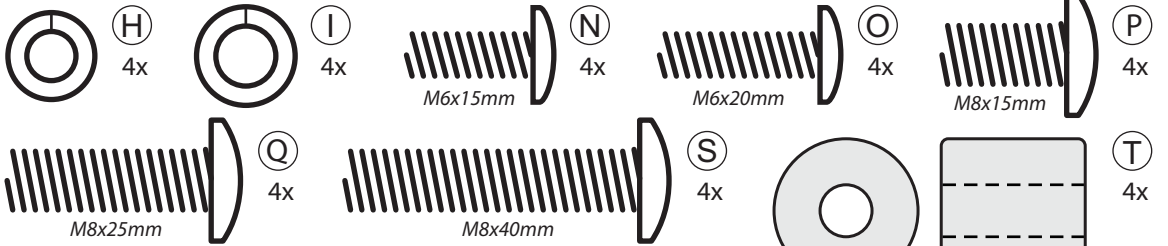
Apply Double Sided  
Foam Tape here



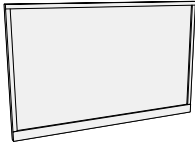


7

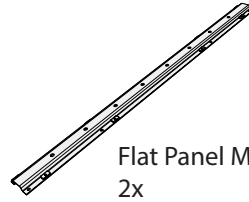
Actual Size:



You will need: (Not to Scale)



Compatible flat panel  
(sold separately)  
1x



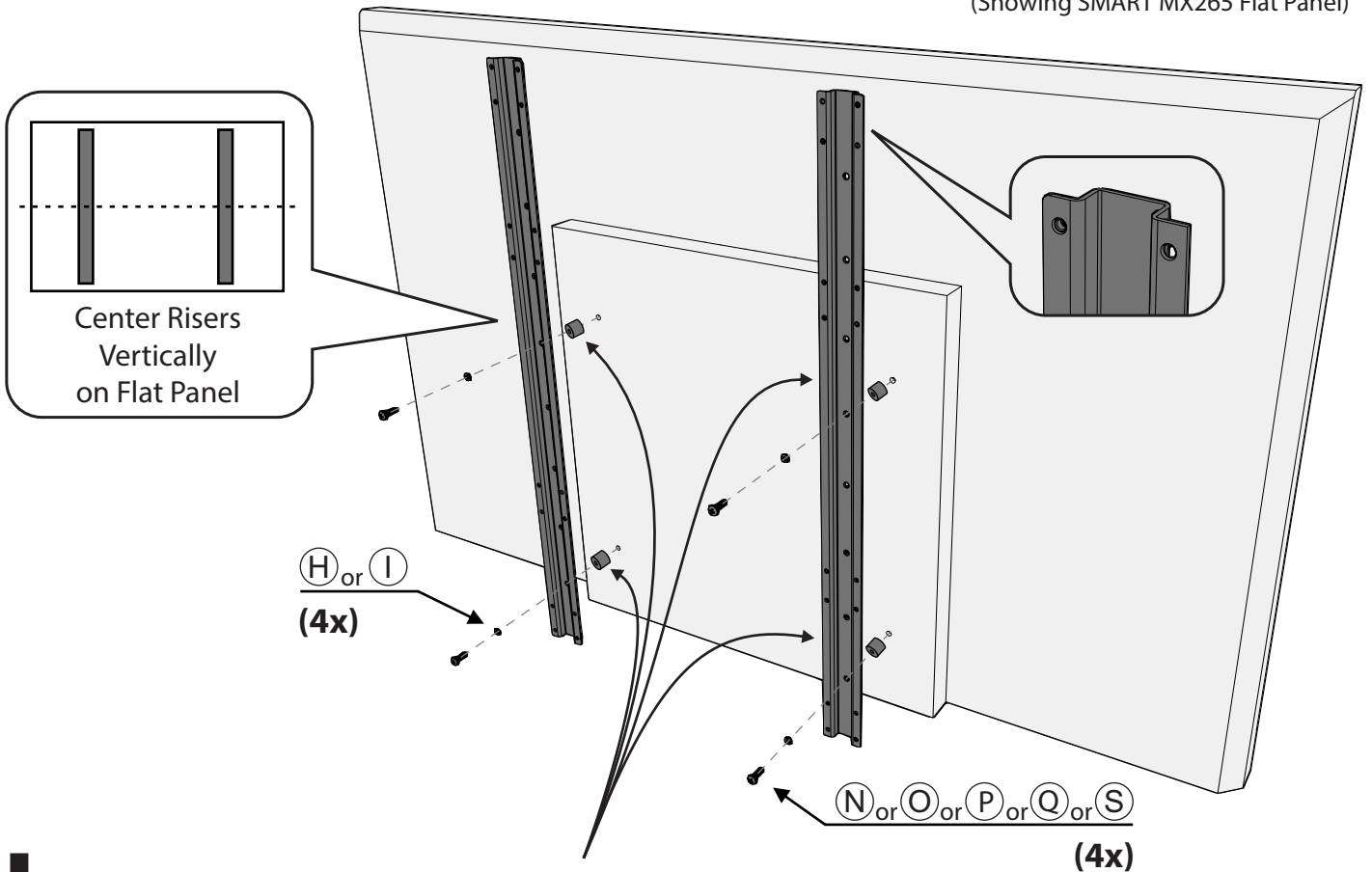
Flat Panel Mount Riser  
2x

Screwdriver  
⊕ Phillips #2 or #3

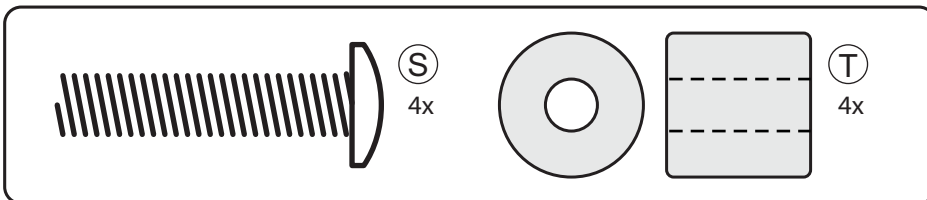
## Attaching Your Flat Panel Mount Risers

- Check your flat panel owners manual to determine correct VESA screw size and torque specifications to avoid causing damage to your flat panel.

(Showing SMART MX265 Flat Panel)



- For TVs without a flat back (Ex. Prometheus) use the provided 3/4" spacers and longer screws. Install spacers between mount and TV.



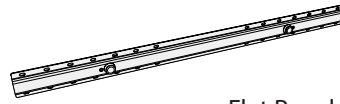
8

Actual Size:



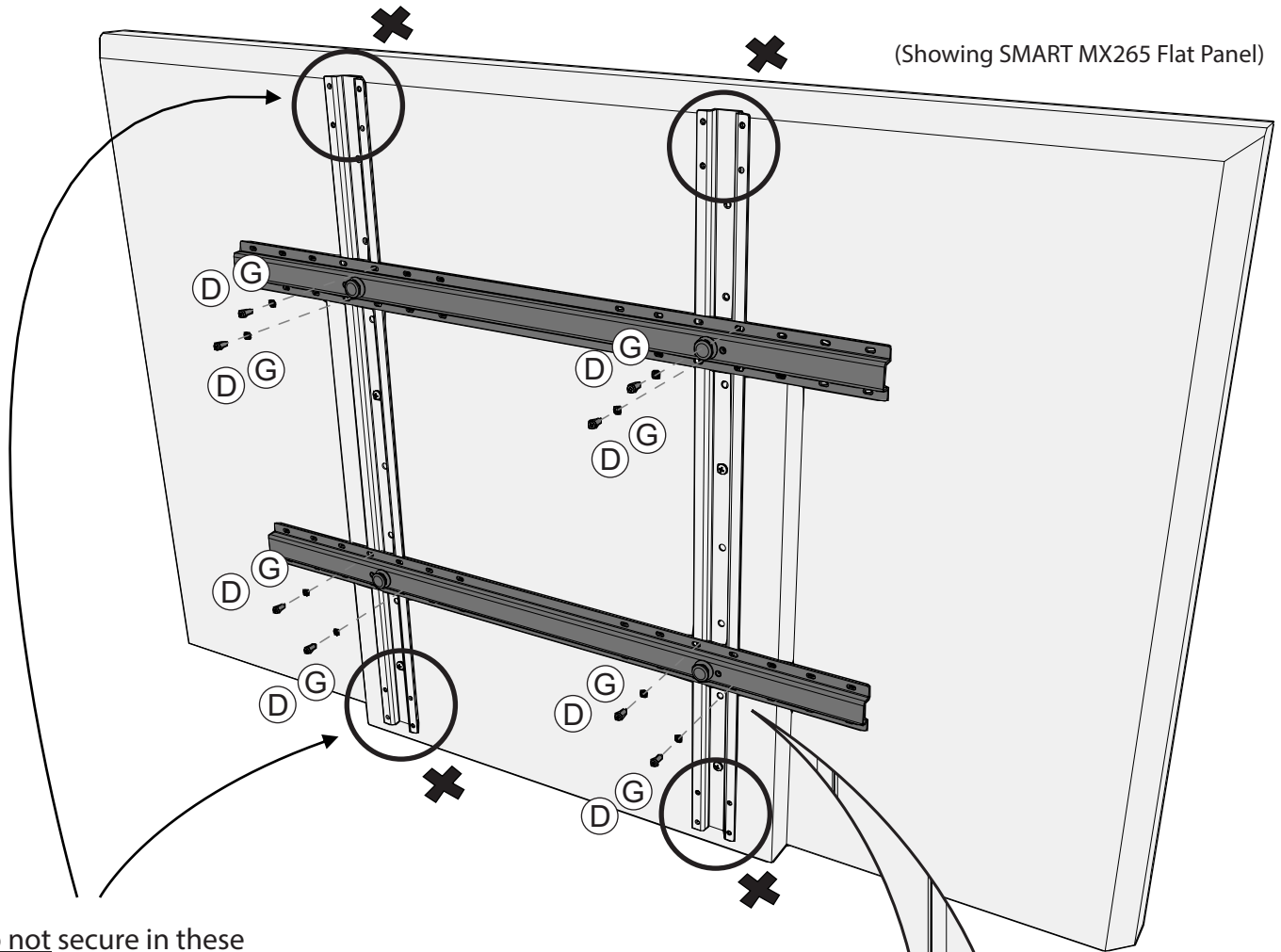
You will need: (Not to Scale)

Screwdriver  
+ Phillips #2 or #3



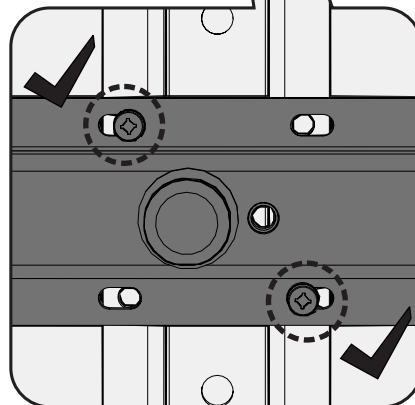
Flat Panel Mount Stretcher  
2x

### Install Flat Panel Mount Stretchers



**!** Do not secure in these holes, they are used for attaching an optional soundbar mount

**!** Install screws in holes with threads, only 2 of 4 holes will have threads



9

Actual Size:

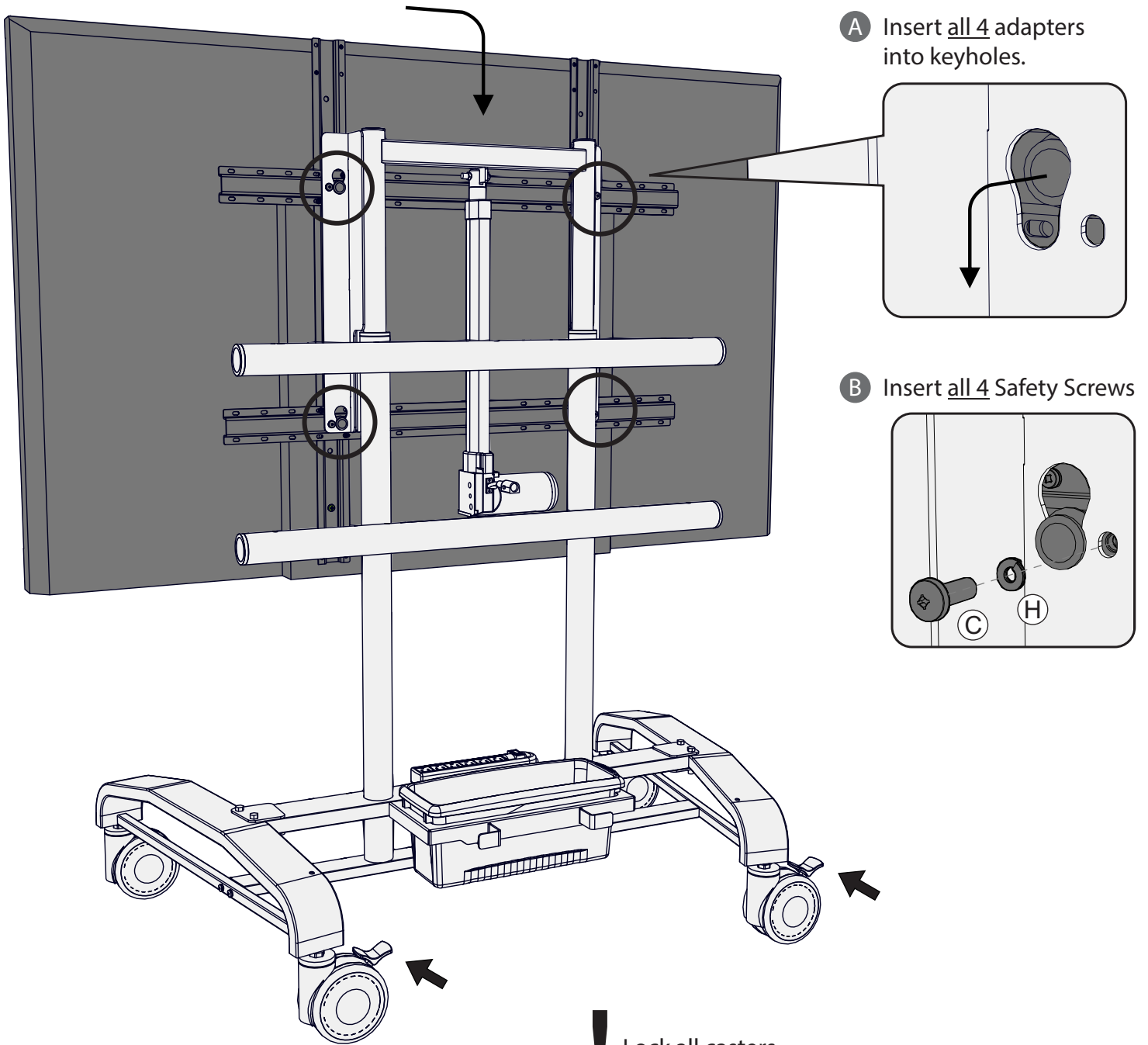


2-Person Task

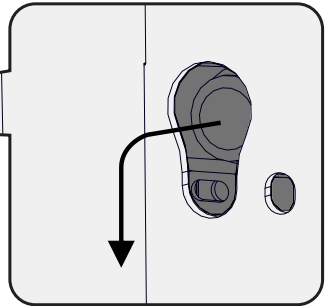
You will need: (Not to Scale)

Screwdriver  
⊕ Phillips #2 or #3

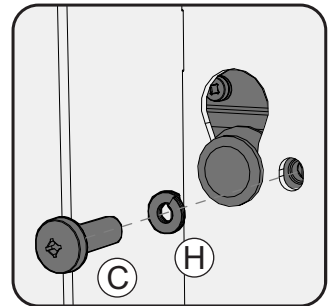
### Secure Flat Panel To Cart



**A** Insert all 4 adapters into keyholes.



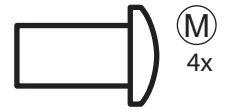
**B** Insert all 4 Safety Screws



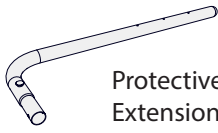
**!** Lock all casters before attaching flat panel to cart

10

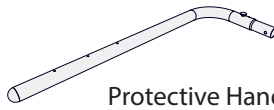
Actual Size:



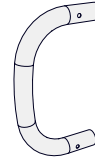
You will need: (Not to Scale)



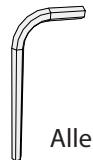
Protective Handle Extension Right  
2x



Protective Handle Extension Left  
2x



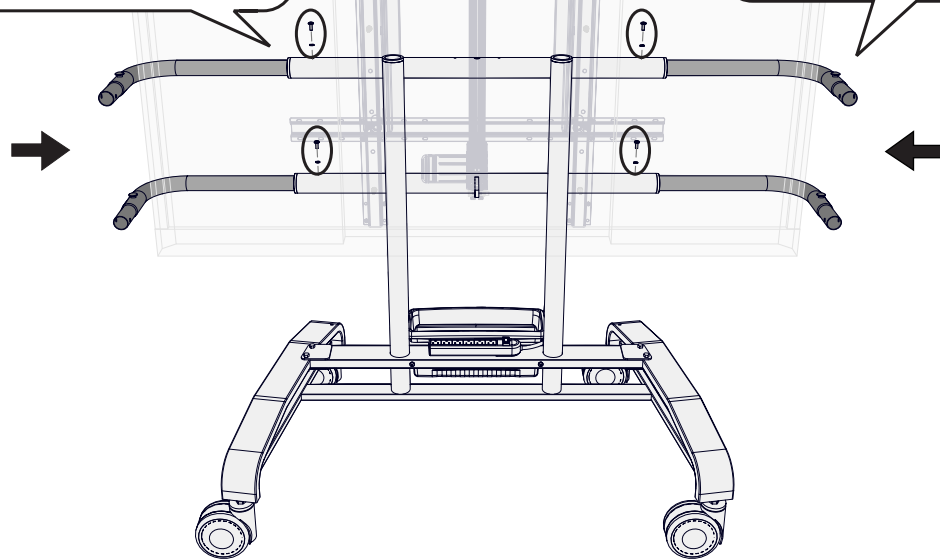
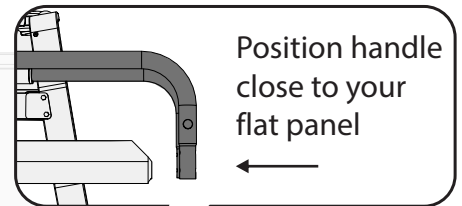
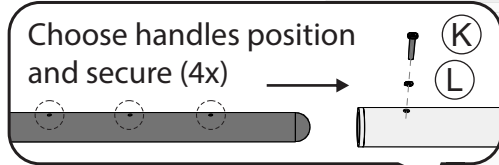
Protective Handle Front  
2x



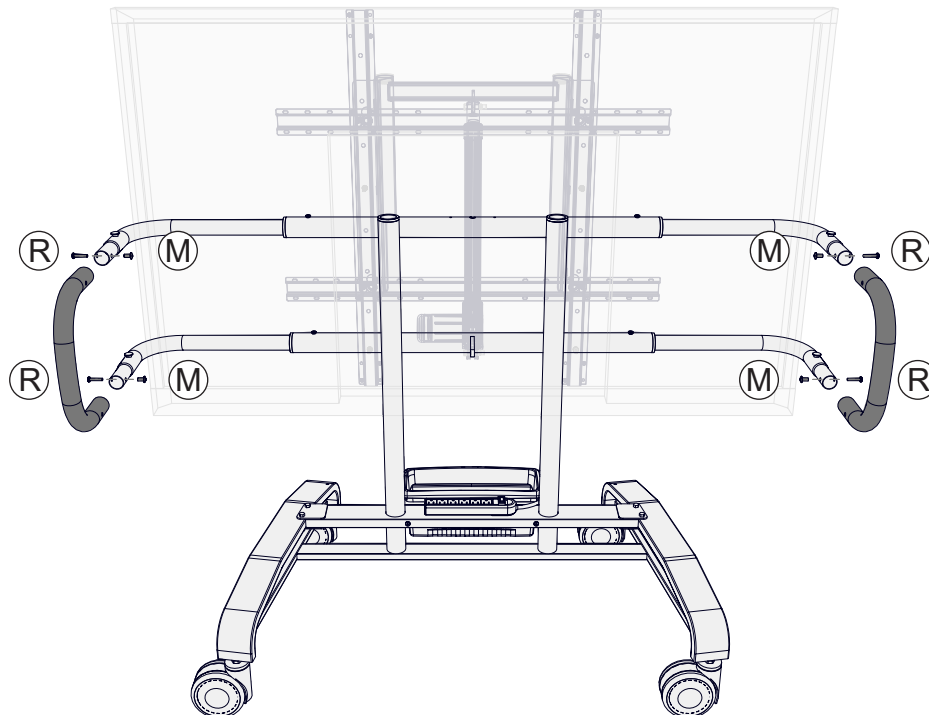
Allen Key  
2x

## Install Protective Handles

### A Position & Secure Handles Extensions



### B Install Protective Handles Fronts

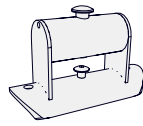


11

Actual Size:



You will need: (Not to Scale)

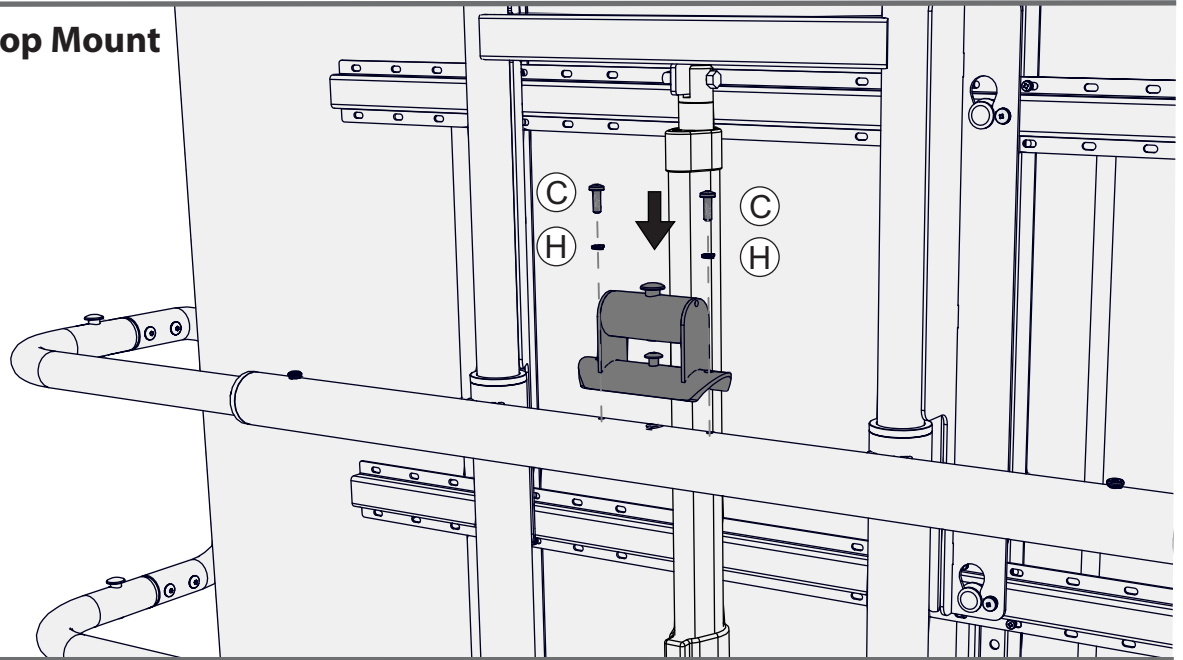


Laptop Tray Rear Mount  
1x

Screwdriver



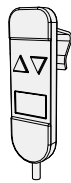
### Install Rear Laptop Mount



12

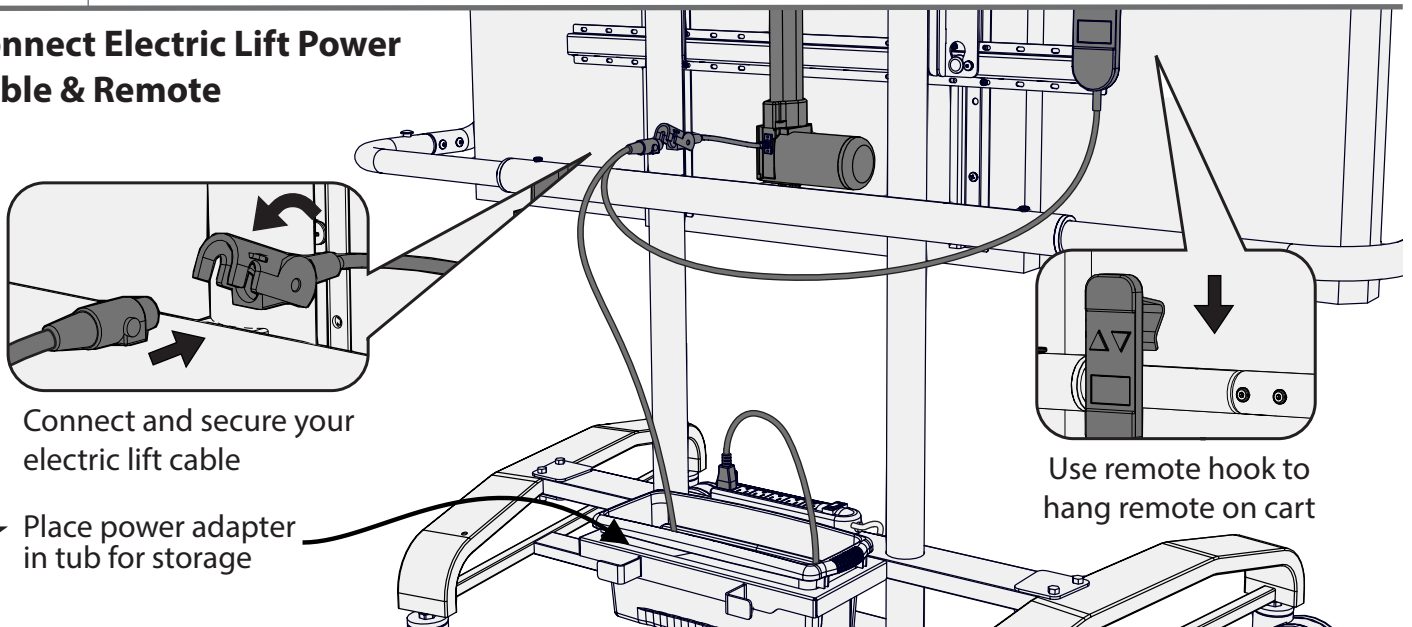
Actual Size:

You will need: (Not to Scale)



Electric Lift Power Adapter & Remote  
1x

### Connect Electric Lift Power Cable & Remote



Connect and secure your electric lift cable

Use remote hook to hang remote on cart

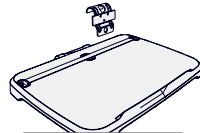
★ Place power adapter in tub for storage

13

Actual Size:



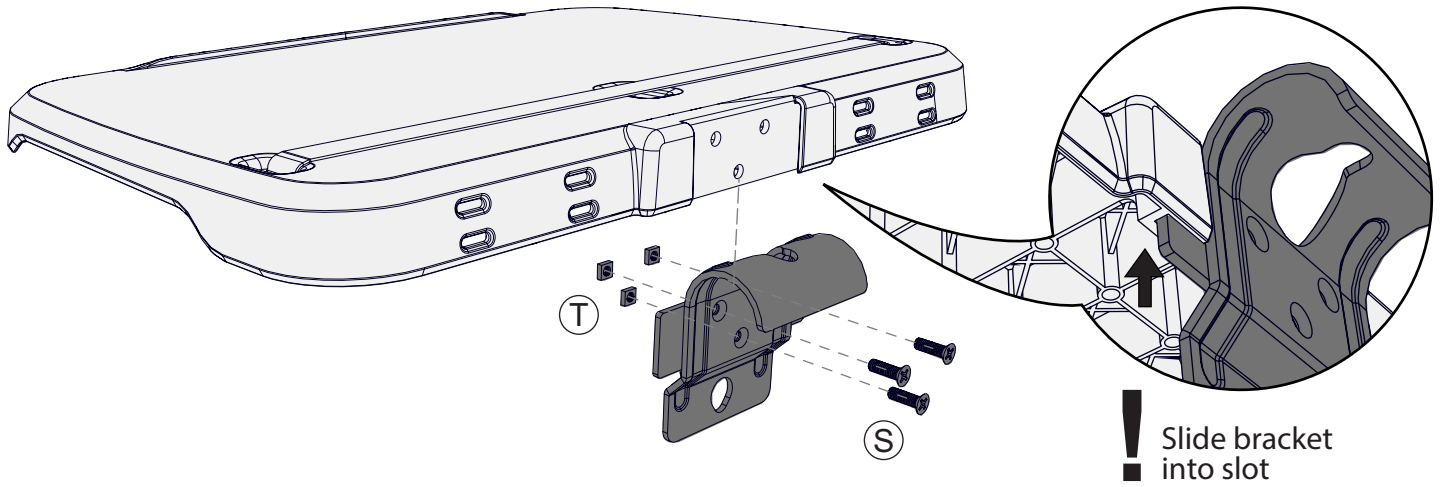
You will need: (Not to Scale)



20 lbs Weight Limit

Laptop Tray, Bracket, Hardware  
1x

### Assemble Laptop Tray



14

Actual Size:

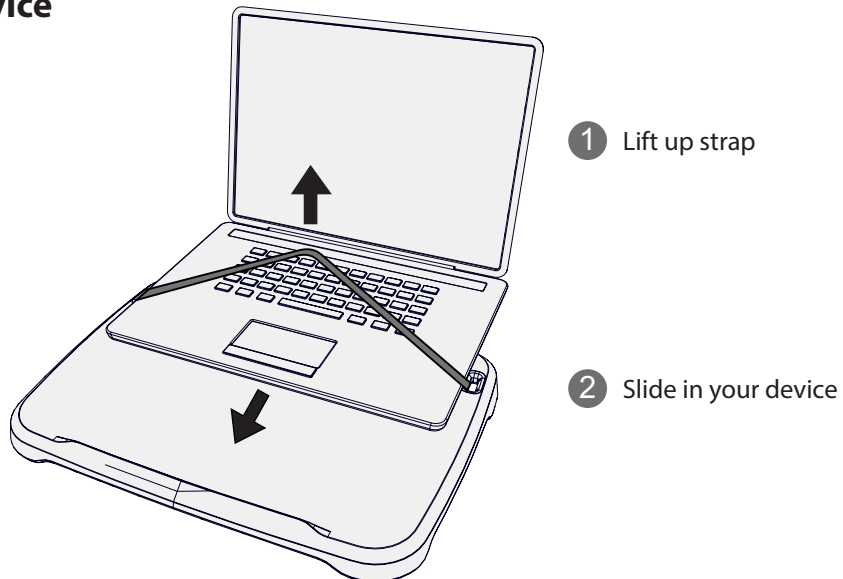
You will need: (Not to Scale)



20 lbs Weight Limit

Laptop Tray  
1x

### Securing Your Device



Actual Size:

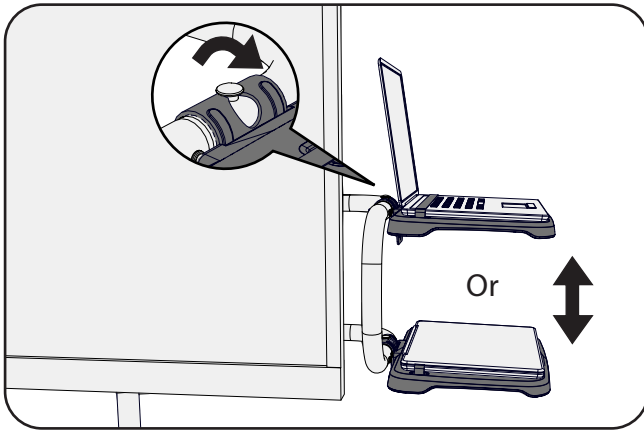
You will need: (Not to Scale)



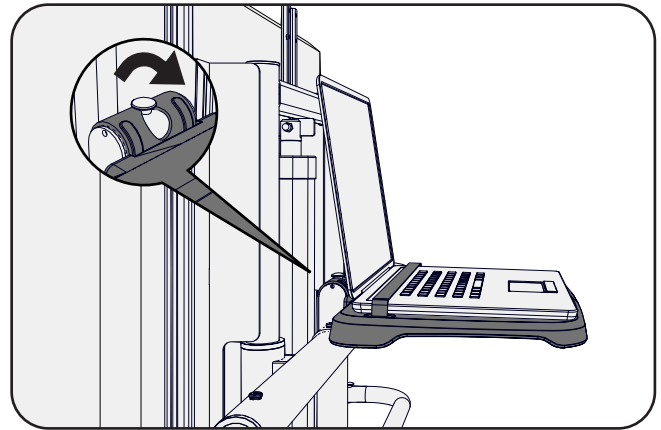
Laptop Tray  
1x

### Attaching Laptop Tray To Cart

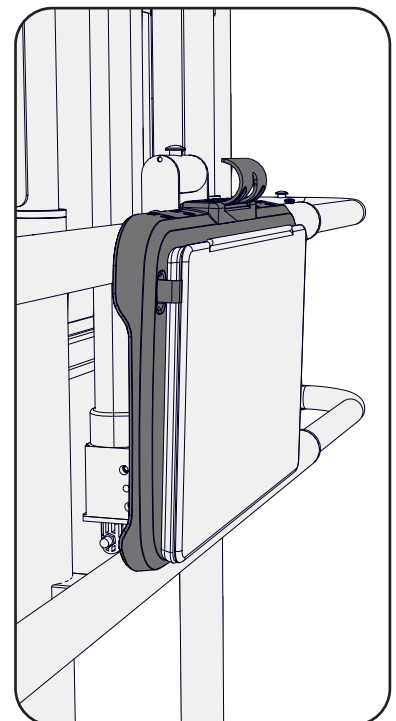
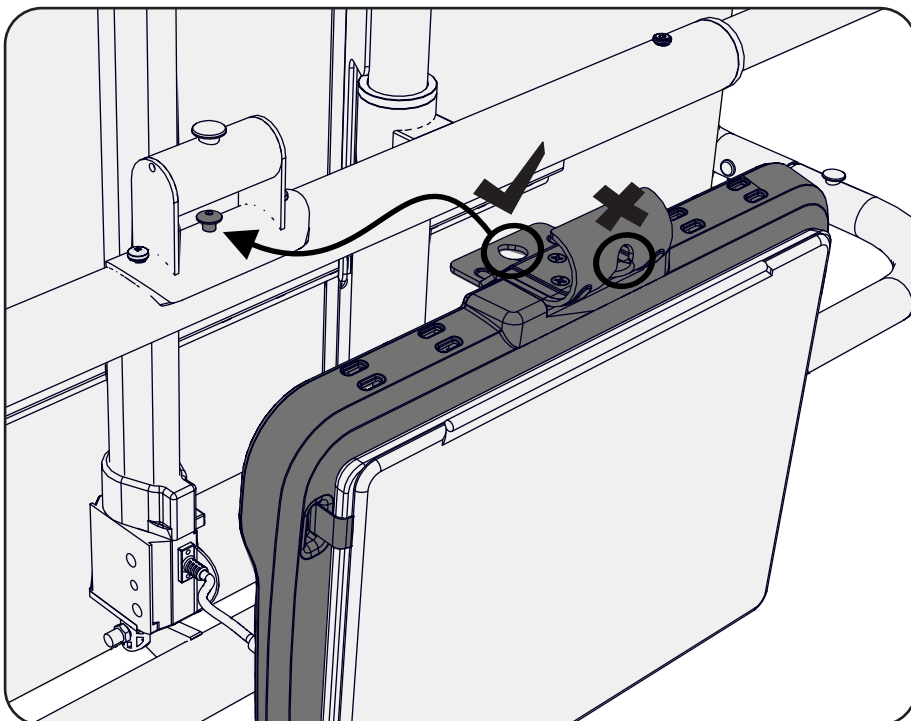
In-use Position On Left or Right Handles  
On Top or Bottom



In-use Position On  
Back of Cart



Storage Position On  
Back of Cart



Actual Size:

You will need: (Not to Scale)



Hook & Loop Straps  
6x

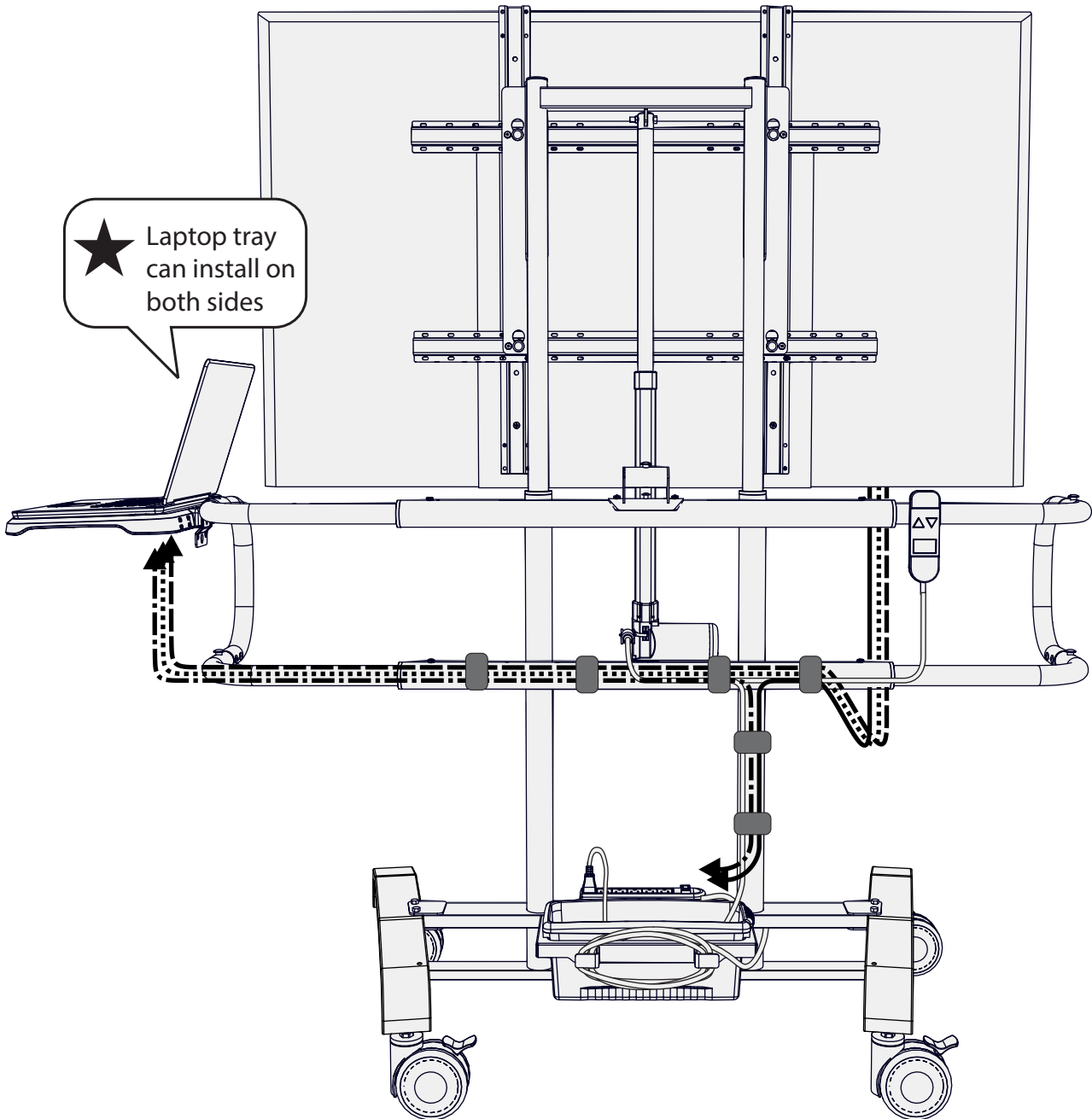
- VGA/HDMI Cable
- USB Cable
- Flat Panel Power Cable
- Laptop/Computer Power Cable  
(items not included with IFP500)

### Cable Routing

**!** Raise flat panel to max height before routing cables.  
**■** This ensures they have enough length when adjusting cart height.



★ Laptop tray can install on both sides





17

Actual Size:

You will need: (Not to Scale)

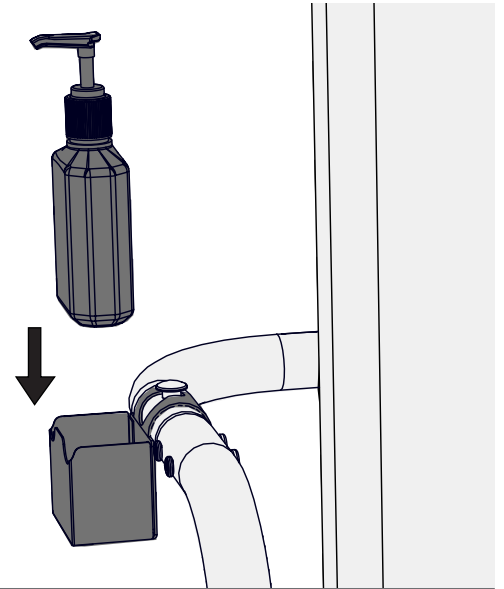
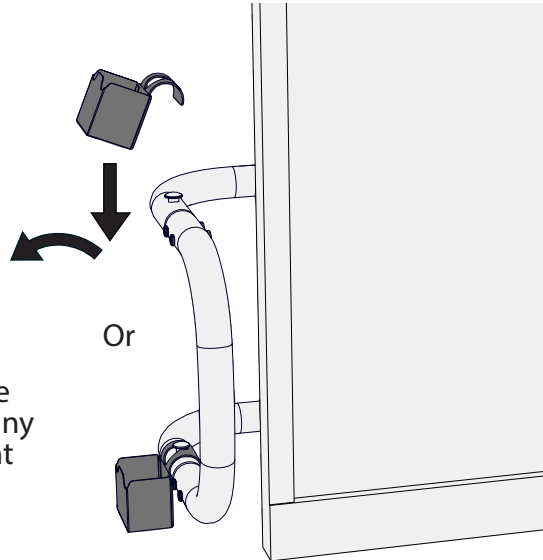


Hand Sanitizer Bottle Holder  
1x

### Attach Hand Sanitizer Bottle Holder

\*Hand sanitizer not included

! Holder can be installed on any handle mount




18

Actual Size:

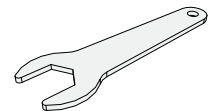
You will need: (Not to Scale)

Screwdriver  
⊕ Phillips #2 or #3

+

Adjustable wrench (2x)  
  
**OR**  
7/16" Wrench (2x)  
9/16" Wrench (2x)

+

  
Caster Wrench  
1x

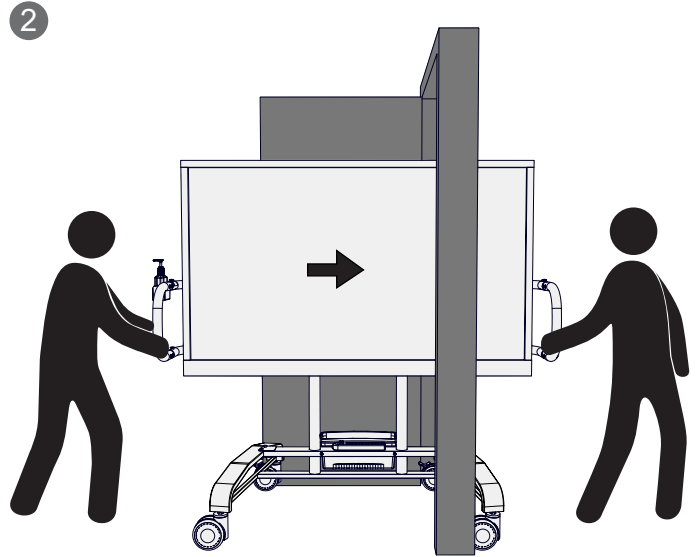
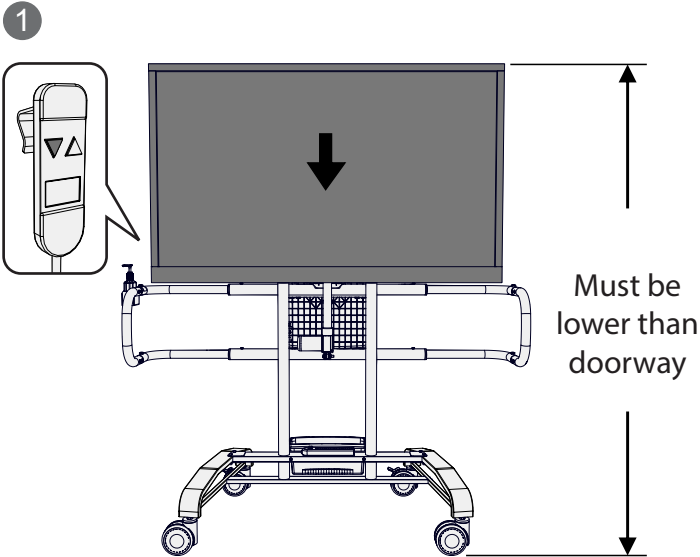
### Final Assembly Checks

Check entire assembly for loose parts; tighten all casters, bolts, screws and nuts

! Tighten all casters using supplied Caster Wrench.  
Keep wrench with unit. Casters must be tightened every 6 months for proper maintenance.



Warning - When moving your flat panel cart through a door ensure that the unit is shorter than the height of the door.



**!** Always turn off and unplug the flat panel screen before moving.  
**■** Stow away laptop tray before moving.



Warning - Can tip over resulting in risk of injury. Do not allow children under 16 to move cart. Move cart slowly.

