

Clear Painting Easel



Assembly Guide CS700-CLR-P 2021 A

Check out our other products online at
www.copernicused.com

For assistance, please contact us:

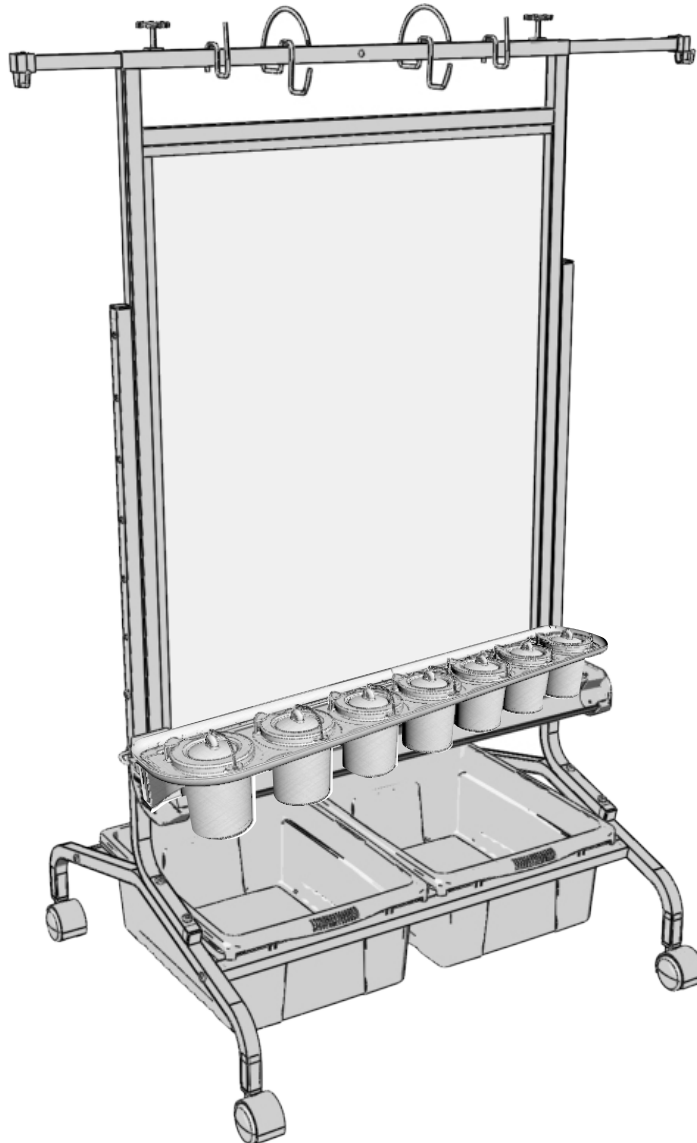
1-800-267-8494

Email info@copernicused.com

Have your packing slip ready for reference

WARNING !

- This product is meant to be assembled by an adult.
- In its unassembled state, small parts present a hazard.
- To be used under direct supervision of an adult.



Clear Painting Easel



Assembly Guide CS700-CLR-P 2021 A

Check out our other products online at
www.copernicused.com

For assistance, please contact us:

1-800-267-8494

Email info@copernicused.com

Have your packing slip ready for reference

Dear Educator,

Thank you for purchasing the Clear Painting Easel. We hope it meets all your expectations and you and your students enjoy using it in your school.

If you have any questions, concerns or ideas on how we can improve please let us know by contacting our Customer Solutions Ninjas at 1-800-267-8494 or info@copernicused.com.

Happy teaching,

Kaylyn Belcourt
President

We do not inherit the earth from our ancestors, we borrow it from our children.

Change is the end result of all true learning.

LEO BUSCAGLIA

NORTH AMERICAN

PROVERB

What you leave behind is not what is engraved in stone monuments, but what is woven into the lives of others.

PERICLES

Education is the most powerful weapon which you can use to change the world.

NELSON MANDELA



Register your Product

Registering your warranty ensures we have all the information we need to make any future warranty claims quick and easy. Please visit www.copernicused.com/warranty and complete the form within 10 business days from product assembly. By registering your product, you will be entered into a draw to win Copernicus product.



Make a Warranty Claim

We offer a Lifetime Warranty on almost everything we make. Please call 1-800-267-8494 or email info@copernicused.com to start your warranty claim. Proof of purchase will be required upon warranty claim (i.e. copy of invoice).





Warning! Hazard Risks!

Please read the warnings below for important safety information regarding your product. Failure to read these warnings or to follow the instructions below could result in personal injury or damage to your product that could void your warranty.



Small
Parts

In its unassembled state, this product contains parts that can be hazardous to small children. This product should be assembled by an adult.



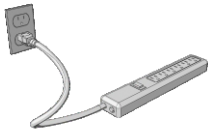
Adult
Supervision

This product is to be used under the supervision of an adult.



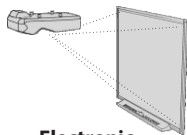
Indoor Use
Only

This product is intended for indoor use only. To reduce the risk of fire or electric shock, do not expose this product to rain or moisture. The internal components are not sealed from the environment.



Power Strip
Specifications

Read your power strip electrical specifications. Only plug in devices that are approved for use with this power strip. Connect the supplied power strip directly to a wall outlet. **Do not connect to another power strip or use an extension cord.** Unplug when not in use. **Do not leave this product plugged in for more than 72 consecutive hours.** Turn off power strip before unplugging.



Electronic
Equipment

Read the electrical specifications of any electronic equipment you are using with your Copernicus products. Failure to read these specifications and follow their instructions could result in damage to your equipment or personal injury.



Cable Trip
Hazard

Ensure that any cables extending across the floor to your product are properly bundled and marked to avoid tripping or falling which may lead to personal injury.



Electrical Shock

Do not install or use the electrical components of this unit during a lightning storm.



Climb Hazard

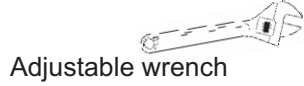
Do not climb on, hang from or suspend objects from any components of your product unless otherwise specified.



Clear Painting Easel

Before beginning, you should have:

Additional tools required:



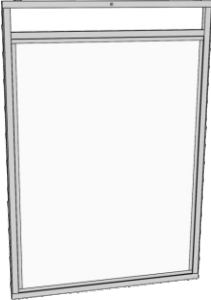
Adjustable wrench



Rubber Mallet

Contents - Box 1

Clear Acrylic Dry-Erase Panel Frame
1x



Bottom Stretcher
2x

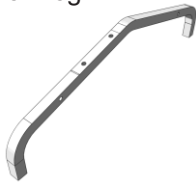


Upper Leg
2x



In Box 1

Lower Leg
2x



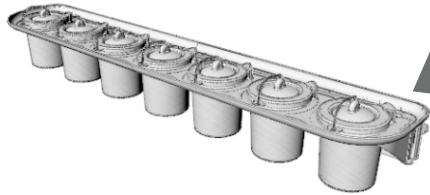
Loop Hook
2x



2" Twin Wheel Caster
4x



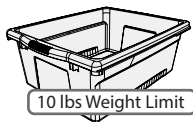
Paint Tray (each includes seven pots, seven spill-proof caps and seven lids)
x2



Holder for Low Position
Packed inside one pot
x2

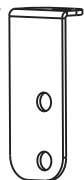


Open Tub
2x
(CC4068)

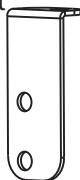


10 lbs Weight Limit

Left Paint Tray Bracket
1x



Right Paint Tray Bracket
1x



Telescoping Arms
2x

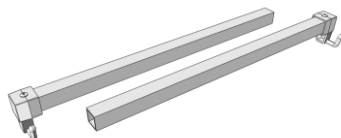
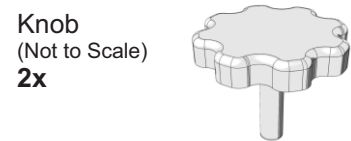
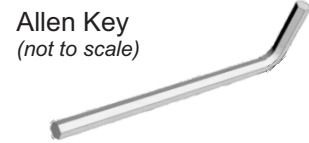
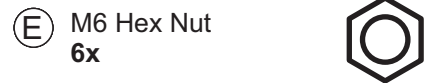
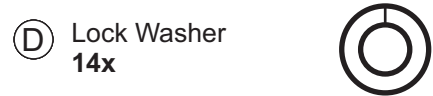
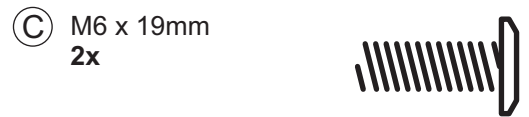


Chart Hook
2x



Hardware
Actual Size



Watch for These Helpful Symbols

This symbol denotes a 2-Person Task. For safety, please ensure that there are the suggested number of people working on steps displaying this symbol.



Watch for this symbol throughout the Assembly Guide. Wherever you see it, pay close attention. The symbol denotes a step needing extra attention to ensure it is done correctly.



The star symbol highlights an advisory note.



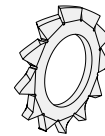
Before You Begin

- Lay out and identify all of the included parts.
- The hardware has been packed according to step.
- Read the assembly guide over once to familiarize yourself with them.



! Please note that in its unassembled state, this product contains parts that can be hazardous to small children. This product should be assembled by an adult.

! Please note, star washers are critical components for electrical safety. Star washers must be included and fasteners fully tightened to prevent the risk of electric shock..



As You Assemble the Unit

- Follow the steps in sequence.
- Before beginning each step, find the part(s) that you need for that step.
- Pay attention to the labels on the parts; they are there to help direct you at certain stages.
- The title of each step states what you will be doing. Review the text and the pictures as you build the unit.

Customer Service - FAQ's



For missing parts and other issues regarding the frame:

Please call Copernicus Customer Service, where we will be happy to help.
1-800-267-8494. Monday - Friday 8:00am - 4:30 pm EST.

OR

Email our Tech Support Service at vanessa@copernicused.com

Check out some of our other great products!



www.copernicused.com



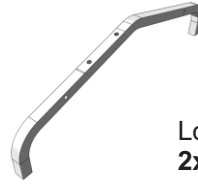
1

Actual Size:

You will need: (Not to Scale)



2" Twin Wheel Caster
x 4



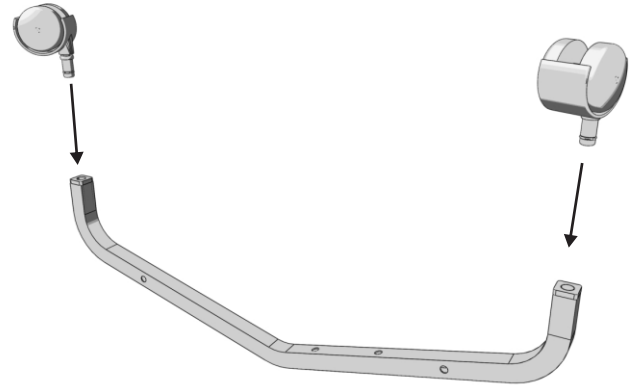
Lower Leg
2x

Install 2" Casters



Press Casters firmly into the Base:

- Casters will click into place
- If necessary, tap the caster in using a rubber mallet.



Build x 2

2

Actual Size:



(A) M6 x 45mm
x 4

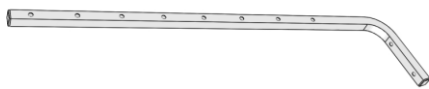


(E) M6 Hex Nut
x 4



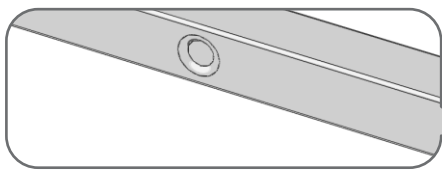
(D) Lock Washer
x 4

You will need: (Not to Scale)

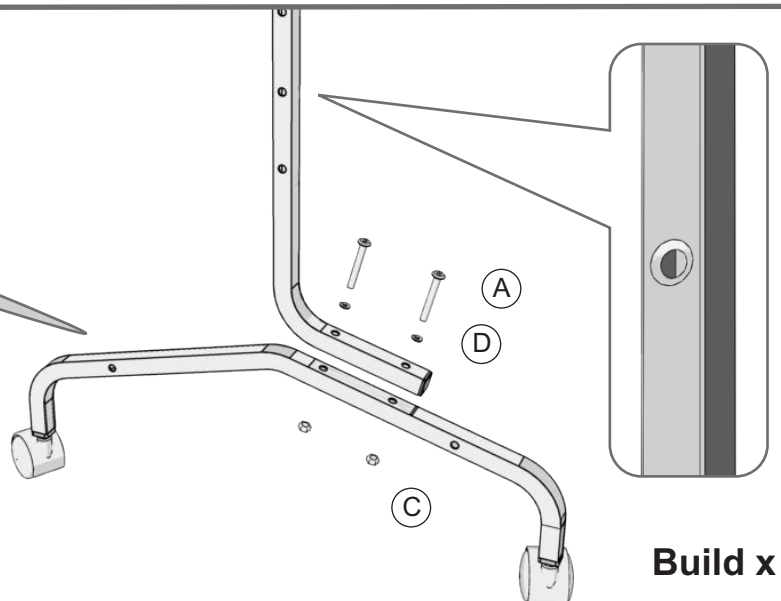


Upper Leg
2x

Bolt Lower Legs To Upper Legs



! Hole indents on Upper Leg should face same side as Lower Leg.



Build x 2

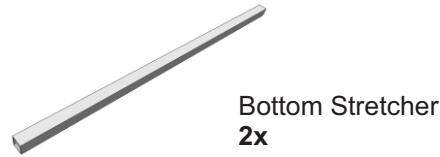


3

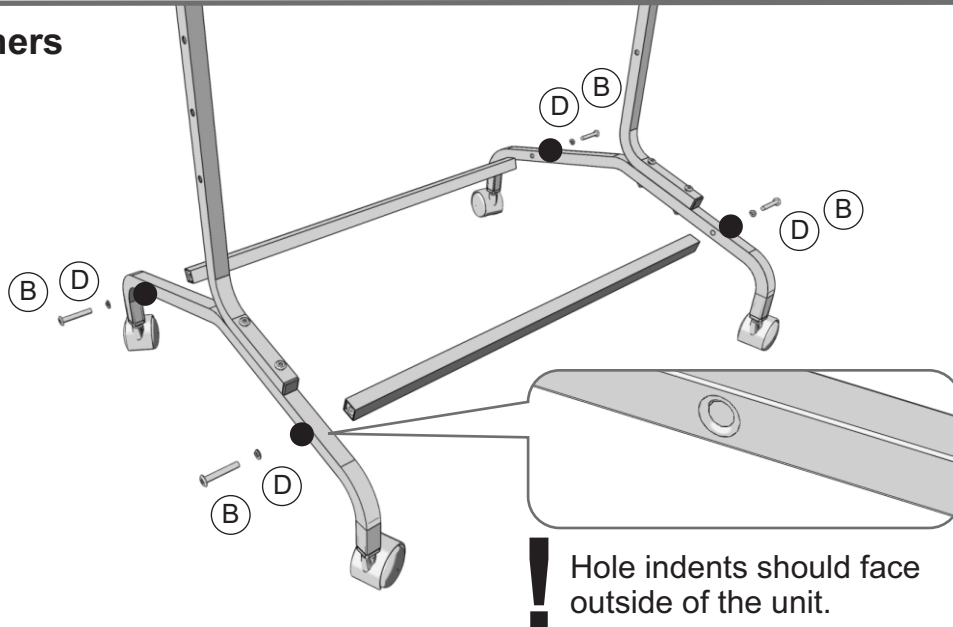
Actual Size:



You will need: (Not to Scale)



Install Stretchers



4

Actual Size:



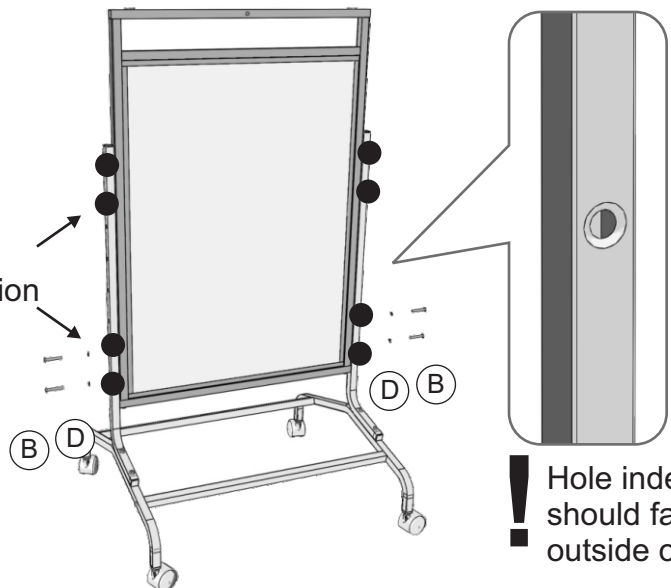
You will need: (Not to Scale)

Install Clear Acrylic Dry-Erase Panel Frame Onto Base



Select your panel height

- Junior/intermediate - higher position
- Early childhood/primary - lower position



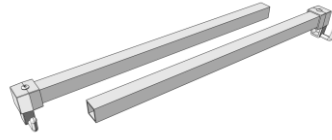
5

Actual Size:

You will need: (Not to Scale)

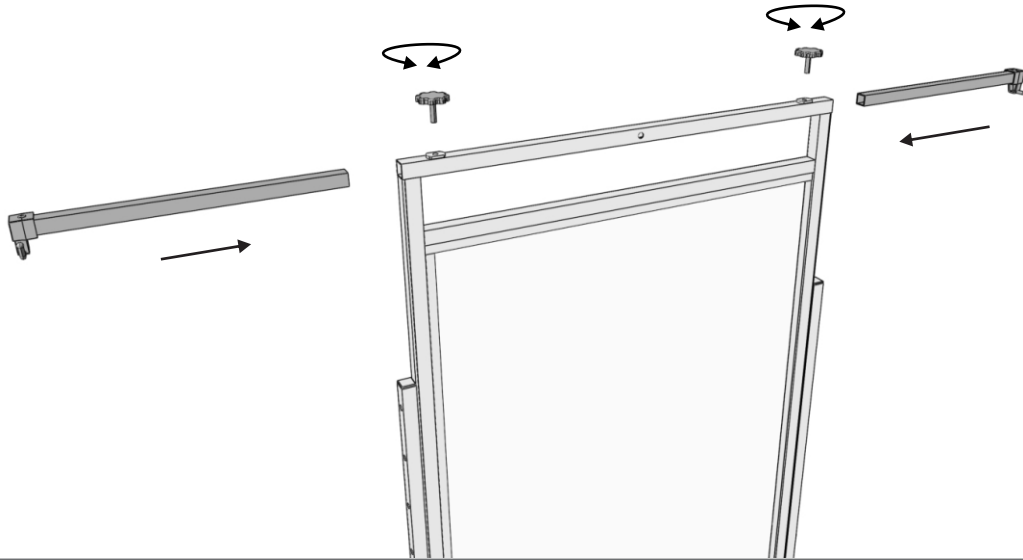


Knob
2x



Telescoping Arms
2x

Install Telescoping Extensions



6

Actual Size:

You will need: (Not to Scale)

Chart Hook
2x



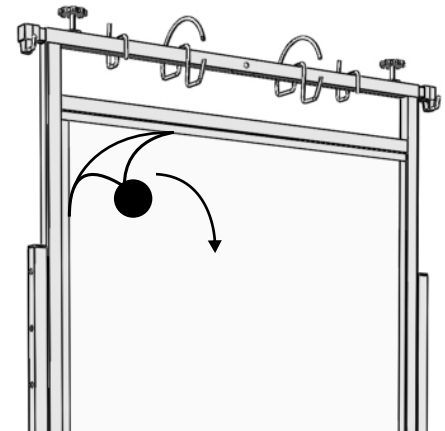
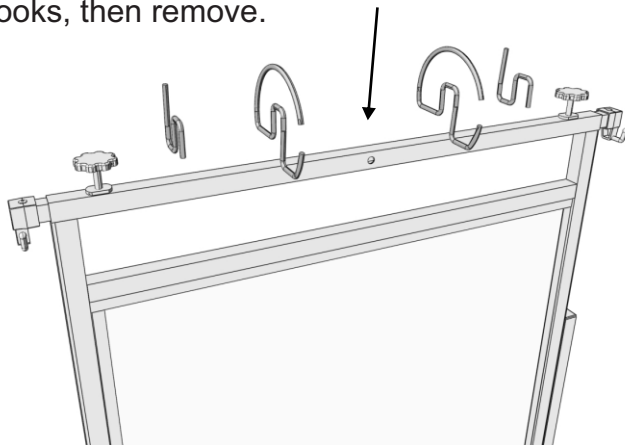
Loop Hook
2x



Install Loop Hooks & Chart Hooks

! To avoid scratching the paint place an empty plastic bag over the frame, install hooks, then remove.

★ Remove Protective Film from Panel

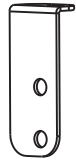


7

Actual Size:

You will need: (Not to Scale)

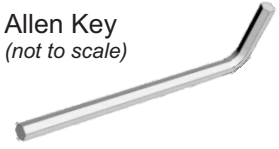
Left Paint Tray Bracket
1x



Right Paint Tray Bracket
1x

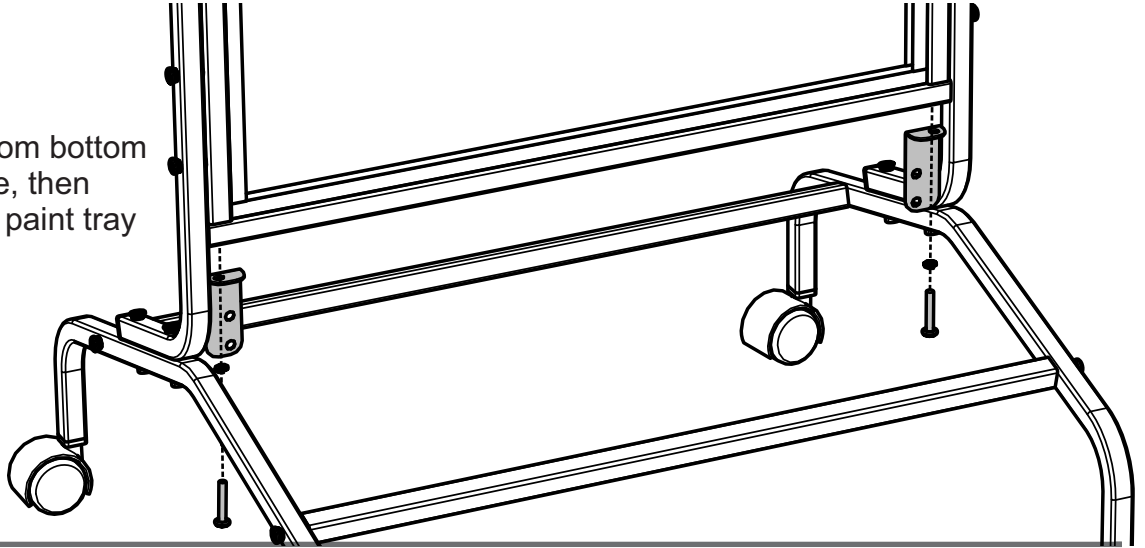


Allen Key
(not to scale)



Install Paint Tray Brackets

- Remove hardware from bottom of acrylic panel frame, then
- reuse it to attach the paint tray brackets.



8

Actual Size:

C

M6 x 19mm
2x



D

Lock Washer
2x



E

M6 Hex Nut
2x

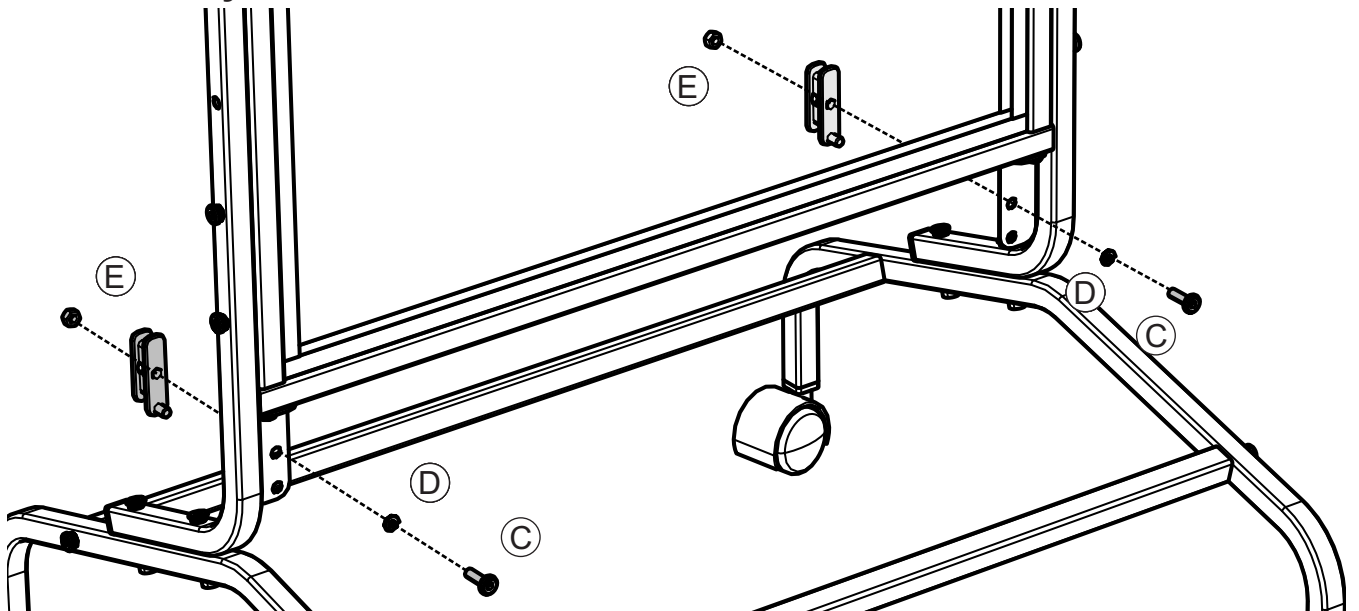


You will need: (Not to Scale)

Paint Tray Holder
2x

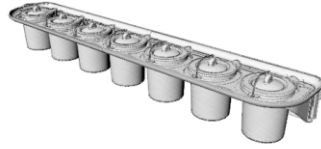


Install Paint Tray Holders

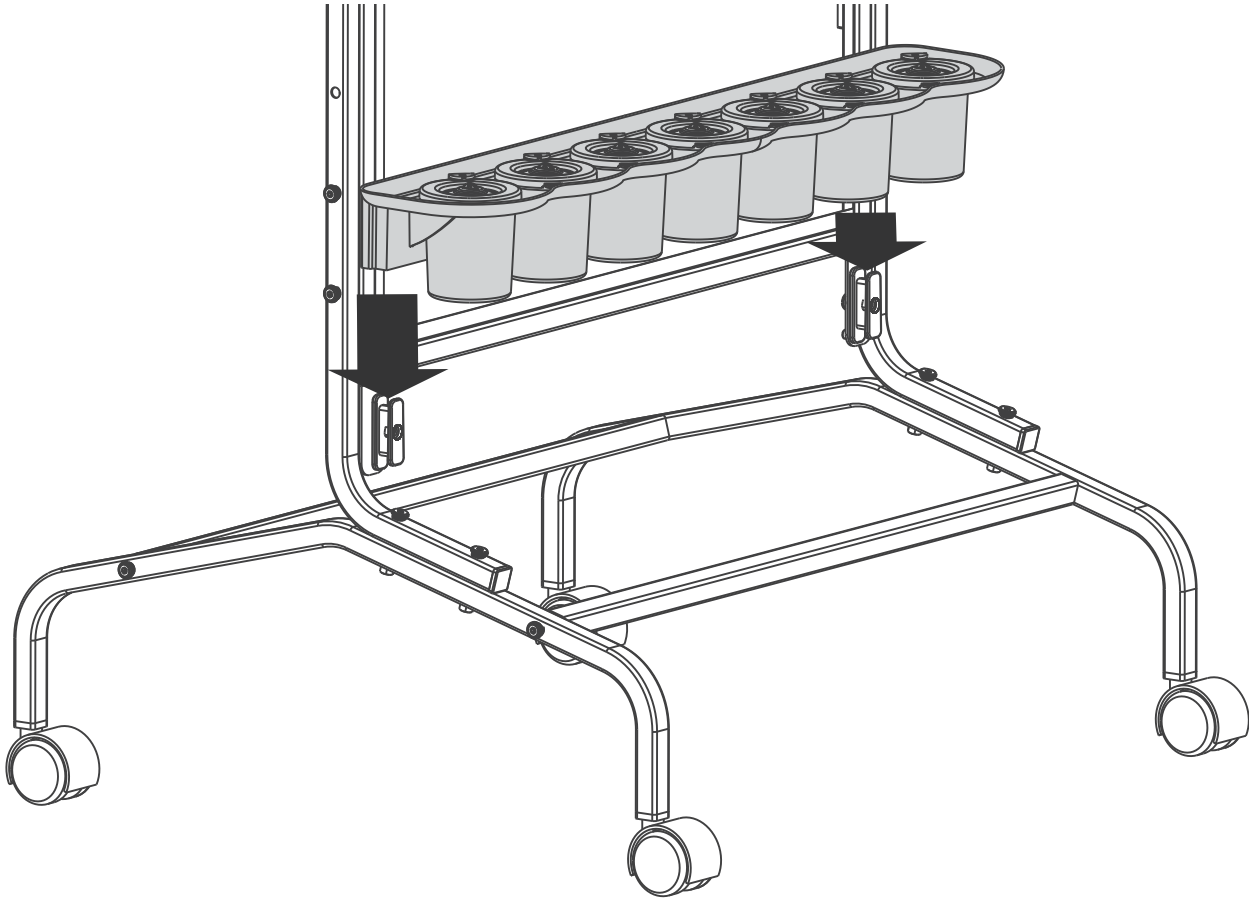


9

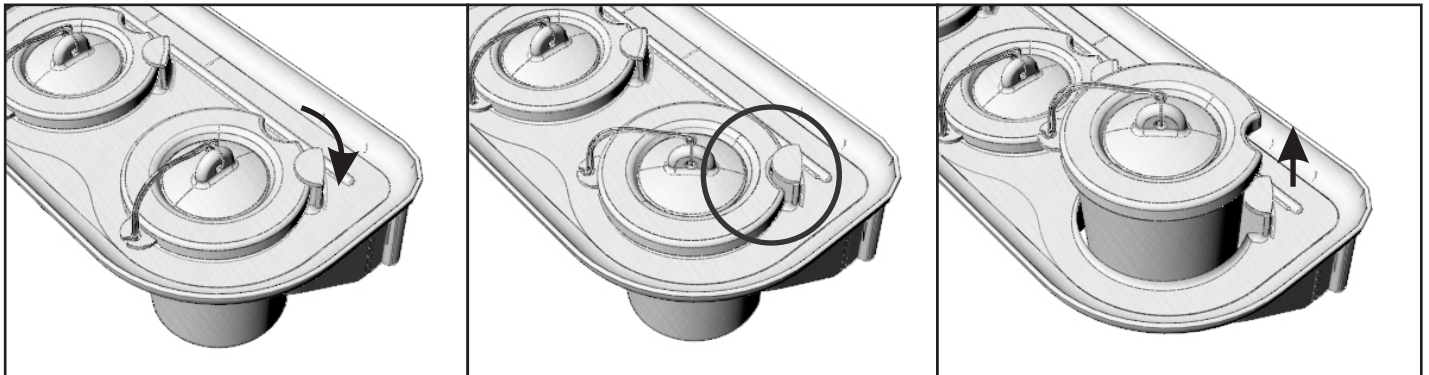
You will need: (Not to Scale)



Install Paint Pot Tray

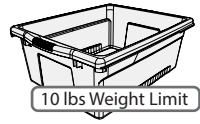


How to remove Pots from Paint Tray



You will need: (Not to Scale)

Open Tub
2x
(CC4068)



Install Open Tubs

