



Assembly Guide

Check out our other products online at www.copernicused.com

For assistance, please contact us by telephone at **1-800-267-8494** or email at info@copernicused.com.
Have your packing slip ready for reference.

! Use these extension cords in your Tech Tub to accommodate large plug adapters that don't fit on the power strip. Check the grey box above each step to ensure you are using the correct instructions for your product.

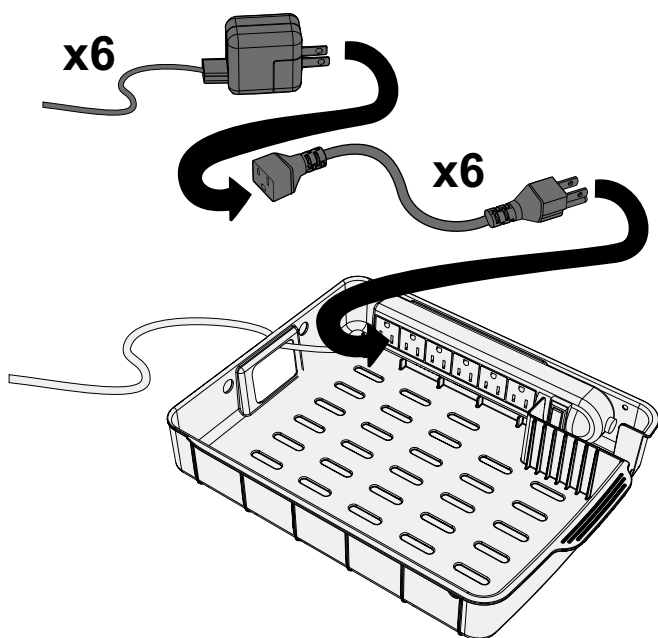
**FTT-AC6
(FOR TEC TUB 2
6 DEVICES)**

You will need: (Not to Scale)

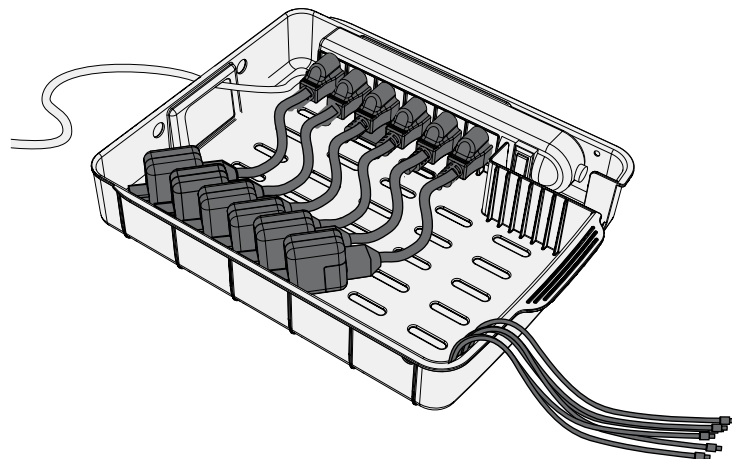


Adapter extension
cables
x6

**Plug in power adapters to extension cords,
and plug in extension cords to power strip**



**Route device charging cables to
front of Power Tray as shown**



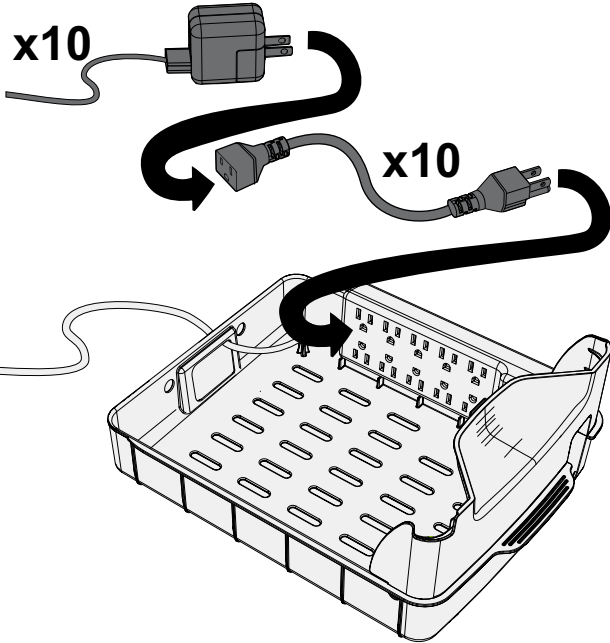
**FTT-AC10
(FOR TECH TUB 2
10 DEVICES)**

You will need: (Not to Scale)



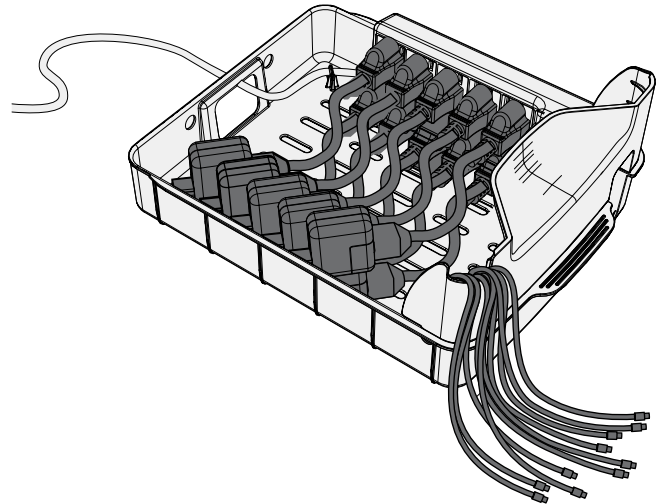
Adapter extension
cables
x10

**Plug in power adapters to extension cords,
and plug in extension cords to power strip**



**Route device charging cables to
front of Power Tray as shown**

★ **Start at back of Power Tray
on bottom row of outlets**



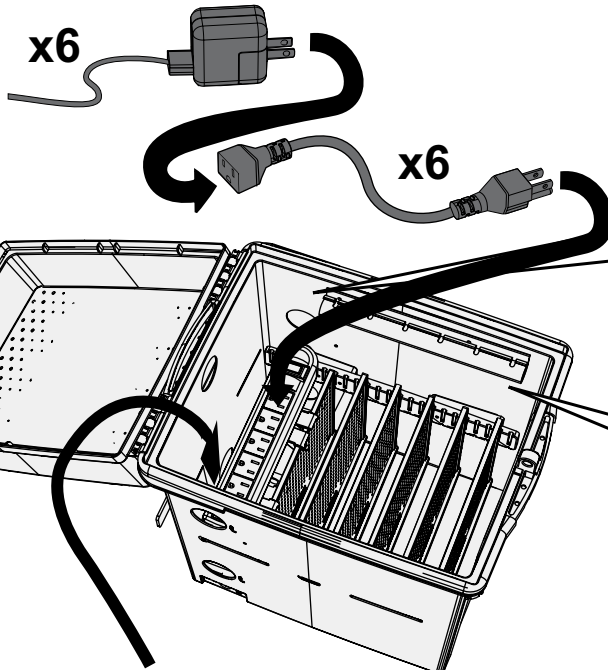
**FTT-AC6
(FOR TEC TUB 1
6 DEVICES)**

You will need: (Not to Scale)



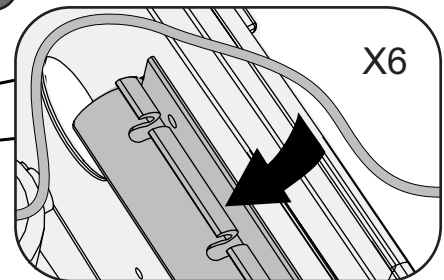
Adapter extension
cables
x6

**Plug in power adapters to extension cords,
and plug in extension cords to power strip**

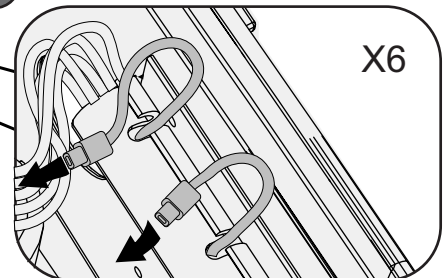


**Route device charging cables into Cable
Management Channel then to devices**

1 Push cable into cablemanagement channel



2 Route cable out through slots



! Tuck Power Adapter and excess
cable in behind the power strip.