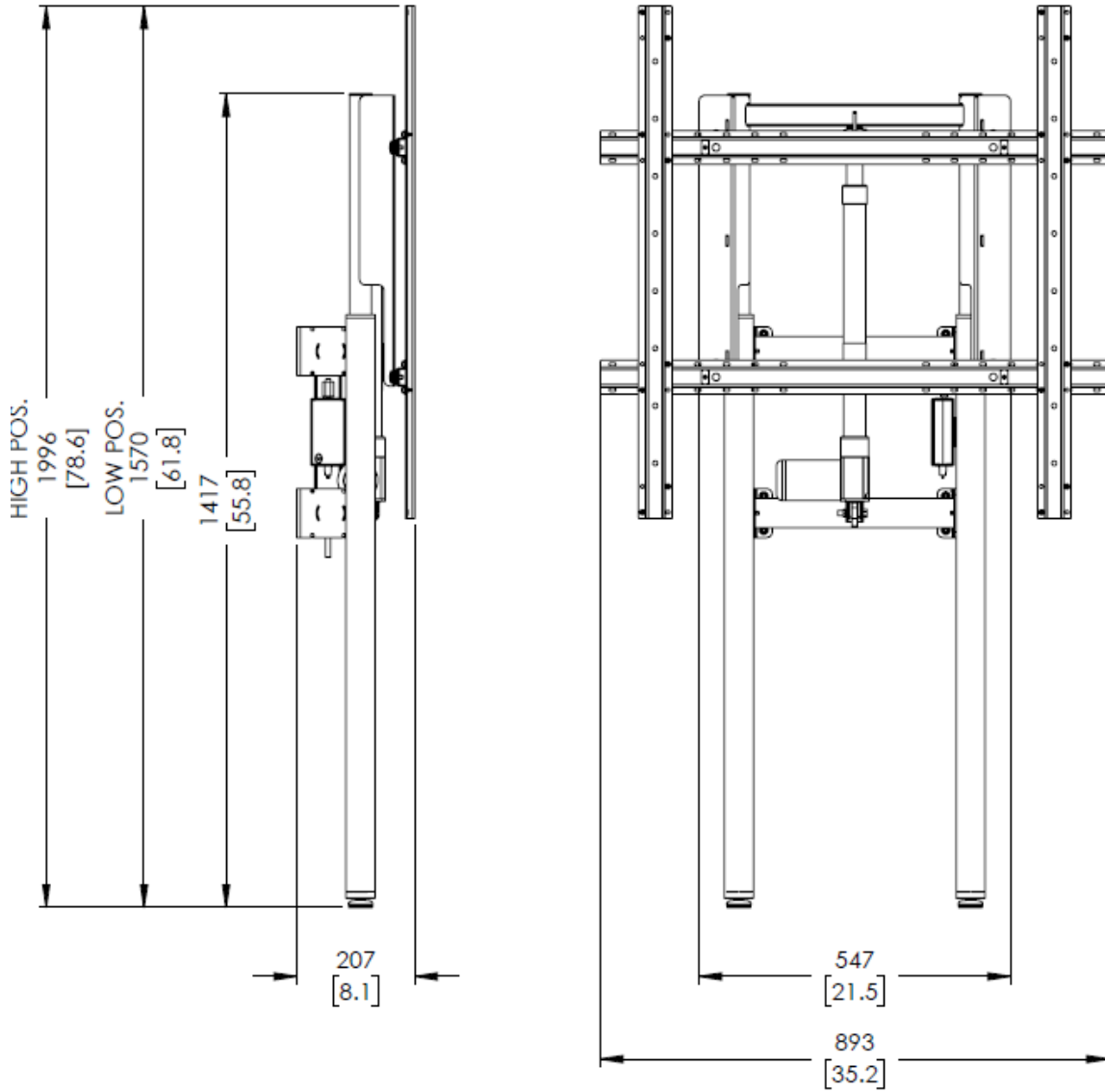


Height Adjustable Wall Mount

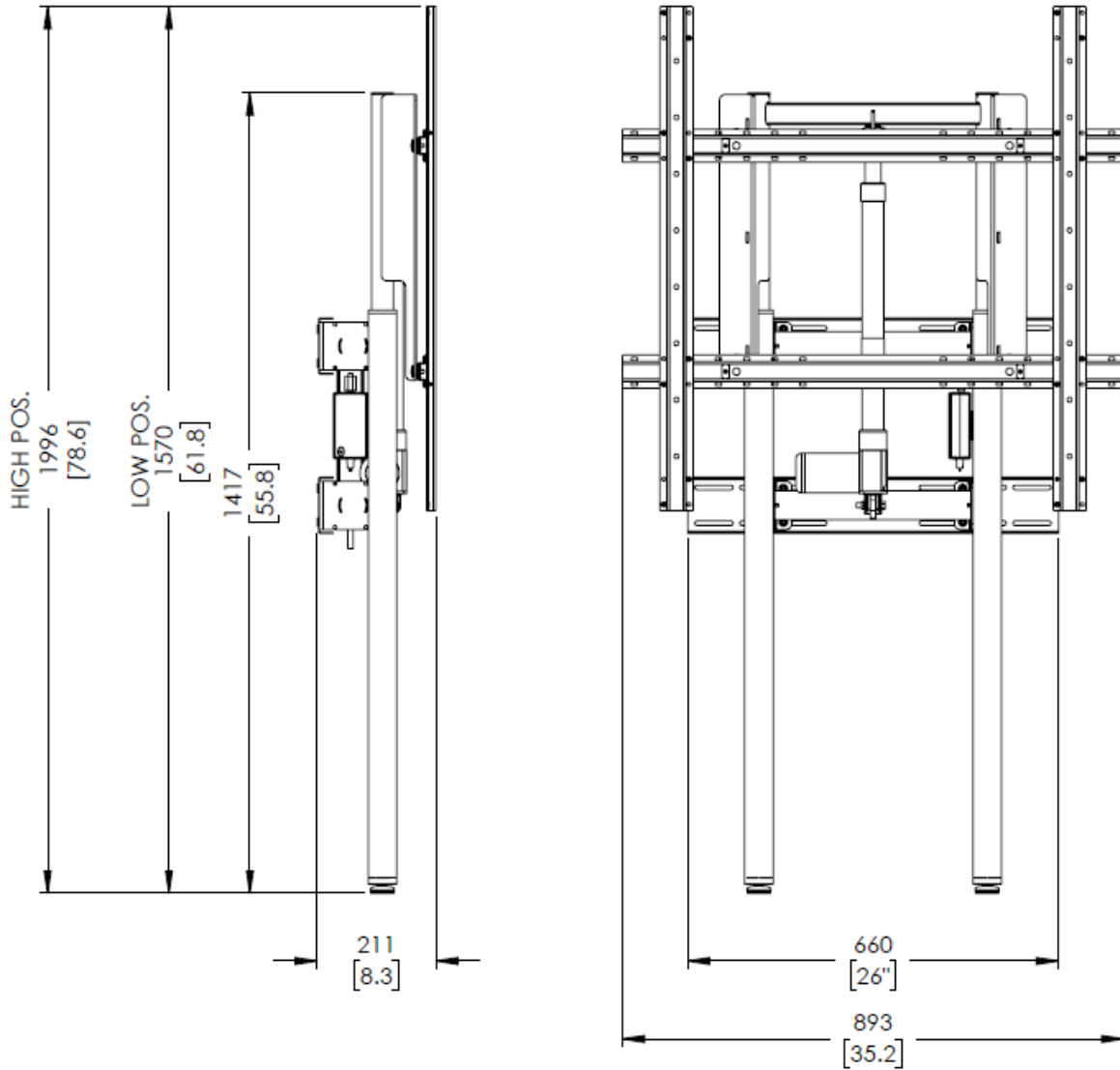
Model: HAWM2 - For concrete and masonry walls



dimensions: mm [in]

Height Adjustable Wall Mount

Model: HAWM2 + HAWM2-SMK - Wood Stud Mounting (do not install on steel studs)



dimensions: mm [in]

Height Adjustable Wall Mount

Model: HAWM2, HAWM2-SMK, HAWM2-CK*

*HAWM2-CK requires parts from a pre-existing IFP500 cart; It is not a complete product on its own.

Warranty:

Lifetime warranty on frame and powerbar

5 year warranty on electric lift

Physical Specifications:

For concrete and masonry walls:

Height = 1996mm (78.6in) - mount adjusted to highest position

Width = 893mm (35.2in) - includes panel mount

Depth = 207mm (8.1in") - includes panel mount

With Wood stud mounting brackets:

Height = 1996mm (78.6in) - mount adjusted to highest position

Width = 893mm (35.2in) - includes panel mount

Depth = 211mm (8.3in") - includes panel mount

Dimensions above are for the mount only, and do not include a screen

Flat Panel Compatibility:

Commonly supported flat panels include: SMART, Promethean, Clever Touch, Clear Touch and Spacers and longer screws are provided for flat panels that do not have a flat back, like Promethean.

Flat Panel Mounting Stretchers:

This unit comes with its own VESA flat panel mount.

Supported Screen Size: Up to 86"

Supported VESA: 300 x 200 (min)

800 x 700 (max)

Max Weight: 250lbs (114kg)

Power Strip Specifications:

Outlets: 6 Right-angle NEMA 5-15R

Size: 1-1/2" H x 9-5/8" W x 1-3/4" D (4.0cm H x 24.4cm W x 4.5cm D)

AC Rating: 125V 15A 60Hz

Cable: 14-gauge thickness, 2.5m (8 ft.) length

Conformance: cULus

Switch: On/Off with built-in surge protection

Height Adjustable Wall Mount

Carton Size & Weights:

	Part No.	Carton Size (outer dimensions)	Weight	Volume (ft³)	Dim. Wt. (lbs)
HAWM2	HAWM2-0	47" H x 26.5" W x 5" D (120cm H x 68cm W x 13cm D)	39 lbs (17.7kg)	3.6	32
	IFP500-1	47" H x 26.5" W x 4" D (120cm H x 68cm W x 10cm D)	32.5 lbs (14.8 kg)	2.88	26

	Part No.	Carton Size (outer dimensions)	Weight	Volume (ft³)	Dim. Wt. (lbs)
HAWM2-SMK	HAWM2-SMK	27" H x 16.5" W x 3" D (116cm H x 13cm W x 14cm D)	8.5 lbs (3.9 kg)	0.77	7

	Part No.	Carton Size (outer dimensions)	Weight	Volume (ft³)	Dim. Wt. (lbs)
HAWM2-CK	HAWM2-CK	47" H x 26.5" W x 5" D (120cm H x 68cm W x 13cm D)	28 lbs (12.7 kg)	3.6	32

*HAWM2-CK requires parts from a pre-existing IFP500 cart; It is not a complete product on its own.

Copernicus Educational Products

CANADA: R.R. #3, 8194 County Road 109 | Arthur, ON | N0G 1A0

P 1 800 267 8494 | E info@copernicused.com

Copernicus Educational Products is not responsible for printing errors. Copernicus reserves the right to change or modify pricing and products specifications with or without prior notification. Illustrations and descriptions may not be exactly as shown. No part may be reproduced by any means without prior authorization of Copernicus Educational Products Inc. All rights reserved. 2015 ©