

IFP550

# iRover2™ Base Model for Interactive Flat Panels



## Assembly Guide

IFP550 2019 A

Check out our other products online at  
[www.copernicused.com](http://www.copernicused.com)

For assistance, please contact us:

1-800-267-8494

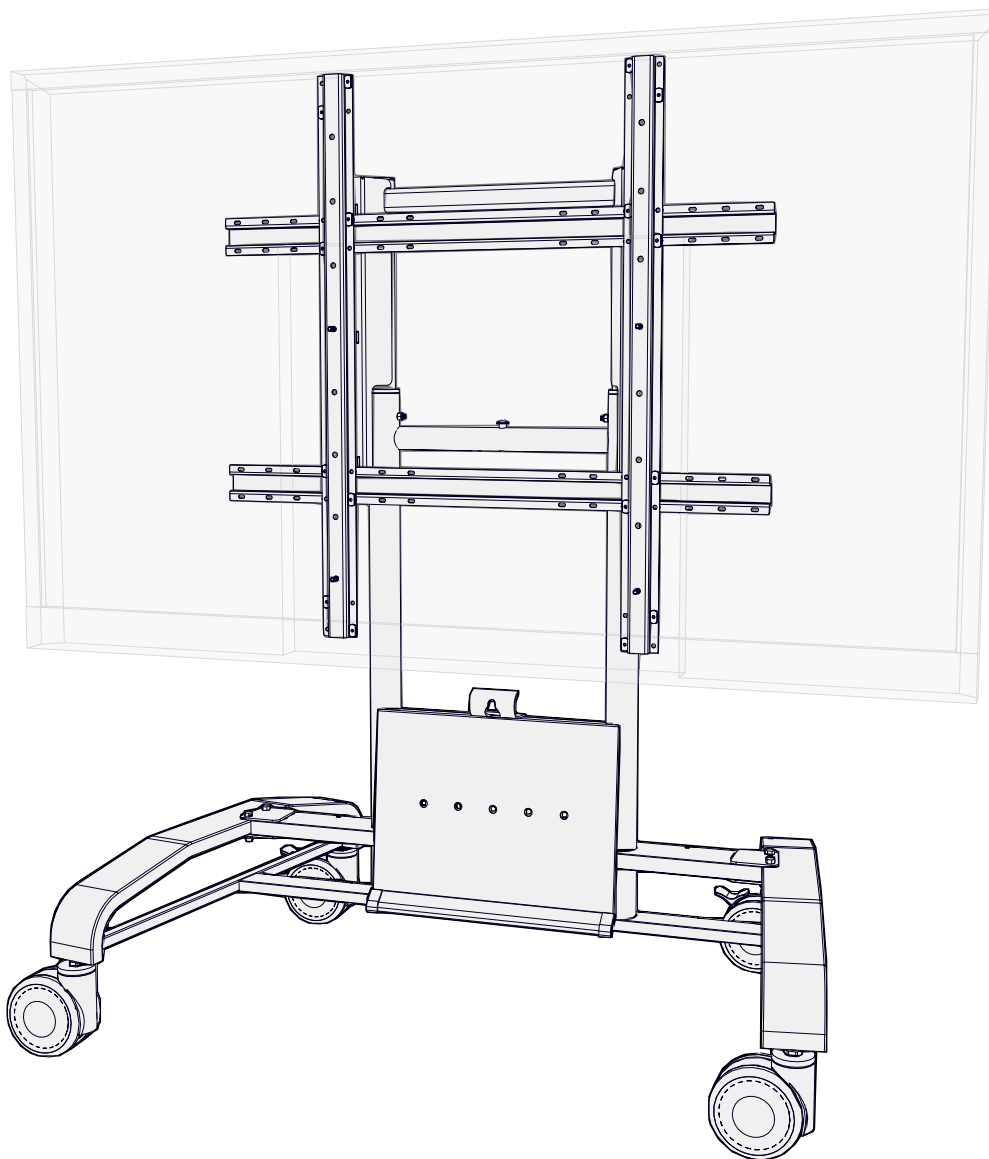
Email [info@copernicused.com](mailto:info@copernicused.com)

Have your packing slip ready for reference

## WARNING



- This product is meant to be assembled by an adult.
- In its unassembled state, small parts present a hazard.
- To be used under direct supervision of an adult.



*Shown with SMART MX265 Flat Panel (sold separately)*



Please Recycle



## Assembly Guide IFP550 2019 Rev A

Check out our other products online at  
[www.copernicused.com](http://www.copernicused.com)

- For assistance, please contact us:
- 
- 1-800-267-8494
- Email [info@copernicused.com](mailto:info@copernicused.com)
- Have your packing slip ready for reference

Dear Educator,

Thank you for purchasing the iRover2™ Base Model for Interactive Flat Panels. We hope it meets all your expectations and you and your students enjoy using it at your school.

If you have any questions, concerns or ideas on how we can improve please let us know by contacting our Customer Solutions Ninjas at 1-800-267-8494 or [info@copernicused.com](mailto:info@copernicused.com).

Happy teaching,

Kaylyn Belcourt-McCabe  
President

We do not inherit the earth from our ancestors, we borrow it from our children.

NORTH AMERICAN  
PROVERB

Change is the end result of all true learning.

LEO BUSCAGLIA

What you leave behind is not what is engraved in stone monuments, but what is woven into the lives of others.

PERICLES

Education is the most powerful weapon which you can use to change the world.

NELSON MANDELA



### Validate Your Warranty

To validate your warranty, submit the ON-LINE form at [www.copernicused.com](http://www.copernicused.com)  
**Enter a drawing to win a Copernicus Product for your classroom at the same time!**



# Warning! Hazard Risks!

Please read the warnings below for important safety information regarding your product. Failure to read these warnings or to follow the instructions below could result in personal injury or damage to your product that could void your warranty.



Small  
Parts

In its unassembled state, this product contains parts that can be hazardous to small children. This product should be assembled by an adult.



Adult  
Supervision

This product is to be used under the supervision of an adult.



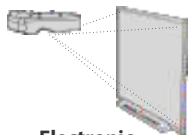
Indoor Use  
Only

This product is intended for indoor use only. To reduce the risk of fire or electric shock, do not expose this product to rain or moisture. The internal components are not sealed from the environment.



Power Strip  
Specifications

Read your power strip electrical specifications. Only plug in devices that are approved for use with this power strip. Connect the supplied power strip directly to a wall outlet. **Do not connect to another power strip or use an extension cord.** Unplug when not in use. **Do not leave this product plugged in for more than 72 consecutive hours.** Turn off power strip before unplugging.



Electronic  
Equipment

Read the electrical specifications of any electronic equipment you are using with your Copernicus products. Failure to read these specifications and follow their instructions could result in damage to your equipment or personal injury.



Cable Trip  
Hazard

Ensure that any cables extending across the floor to your product are properly bundled and marked to avoid tripping or falling which may lead to personal injury.



Electrical Shock

Do not install or use the electrical components of this unit during a lightning storm.



Climb Hazard

Do not climb on, hang from or suspend objects from any components of your product unless otherwise specified.

## Before beginning, you should have:

Additional tools required:

Adjustable wrench (2x)



OR

7/16" Wrench (2x)  
9/16" Wrench (2x)

+

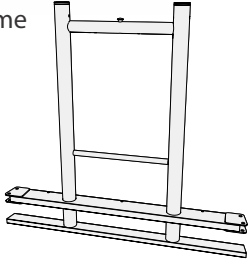
Screwdriver



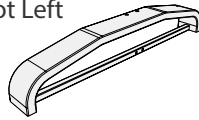
Phillips #2 or #3

### Contents IFP550-0

Base Frame  
**1x**  
(51102)



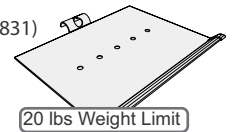
Base Foot Left  
**1x**  
(33136L)



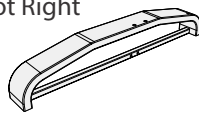
5" Caster  
**2x**  
(410066)



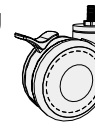
Laptop Tray  
**1x**  
(320831)



Base Foot Right  
**1x**  
(33136R)



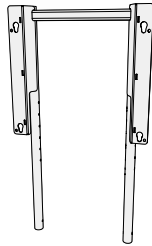
5" Locking  
Caster  
**2x**  
(410065)



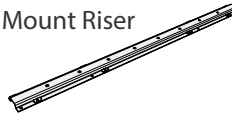
In Box 0

### Contents IFP550-1

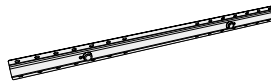
Mounting Frame  
**1x**  
(33157)



Flat Panel Mount Riser  
**2x**  
(33149)



Flat Panel Mount Stretcher  
**2x**  
(33148)



### Hardware

**A** 1/4" x 2-1/2" Bolt  
**2x**  
(430209)



**B** 3/8" x 1-3/4" Bolt  
**4x**  
(430204)



**C** 1/4" x 1-1/2" Screw  
**4x**  
(43006)



**D** 1/4" x 3/4" Screw  
**4x**  
(430039)



**E** 1/4" Lock Nut  
**2x**  
(430101)



**F** #10-24 x 1/2" Self Tapping Screw  
**8x**  
(4302012)



**G** 3/8" Lock Nut  
**4x**  
(430122)



**H** #10-24" Lock Washer  
**8x**  
(4301002)



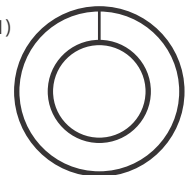
**I** 1/4" Lock Washer  
**12x**  
(43010)



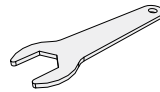
**J** 5/16" Lock Washer  
**4x**  
(43025)



**K** 1/2" Lock Washer  
**4x**  
(43010211)



Caster Wrench (not to scale)  
**1x**  
(320955)



Metric hardware for VESA Mounting

**L** M6 x 15mm  
**4x**  
(432151)



**M** M6 x 20mm  
**4x**  
(43222)



**N** M8 x 15mm  
**4x**  
(432764)



**O** M8 x 25mm  
**4x**  
(432765)



# Tips for Assembly

## Watch for These Helpful Symbols

This symbol denotes a 2- Person Task. For safety, please ensure that there are the suggested number of people working on steps displaying this symbol.



Watch for this symbol throughout the Assembly Guide. Wherever you see it, pay close attention. The symbol denotes a step needing extra attention to ensure it is done correctly.



The star symbol highlights an advisory note.



## Before You Begin

- Lay out and identify all of the included parts.
- Read the assembly guide over once to familiarize yourself with them.

**!** Please note that in its unassembled state, this product contains parts that can be hazardous to small children. This product should be assembled by an adult.



## As You Assemble the Unit

- Follow the steps in sequence.
- Before beginning each step, find the part(s) that you need for that step.
- Pay attention to the labels on the parts; they are there to help direct you at certain stages.
- The title of each step states what you will be doing. Review the text and the pictures as you build the unit.

# Customer Service - FAQ's



### For missing parts and other issues regarding the frame:

Please call Copernicus Customer Service, where we will be happy to help.  
1-800-267-8494. Monday - Friday 8:00am - 4:30 pm EST.

OR

Email our Tech Support Service at [vanessa@copernicused.com](mailto:vanessa@copernicused.com)

**Need Tech Support?  
Have a Question?**



*Email our Tech Support Service*






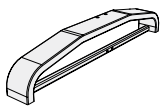
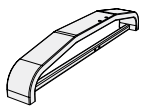
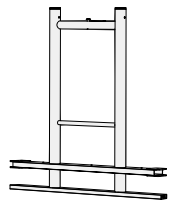


### My Flat Panel isn't working, who should I call?

Please call the reseller that you bought the product from first (reseller information can be found on your packing slip).

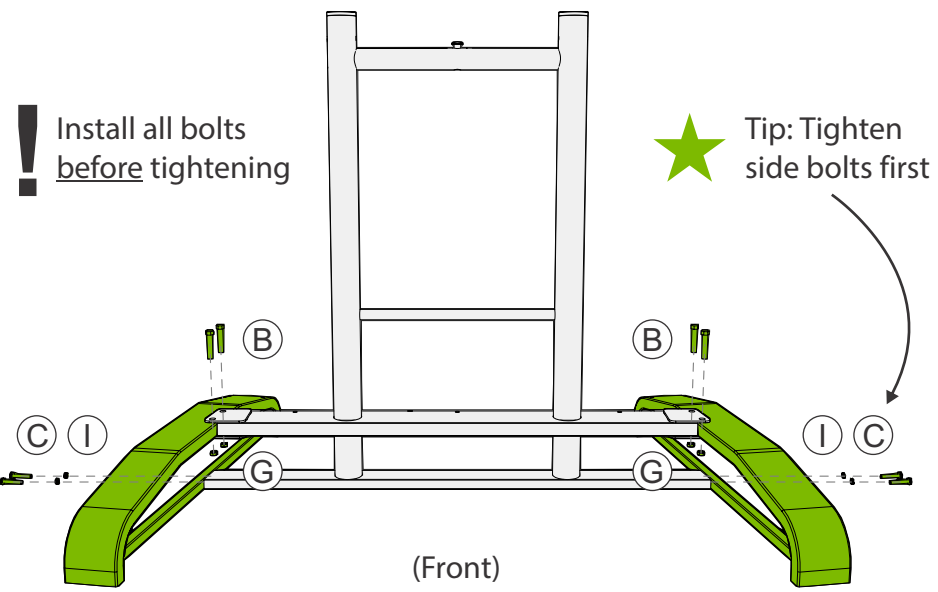
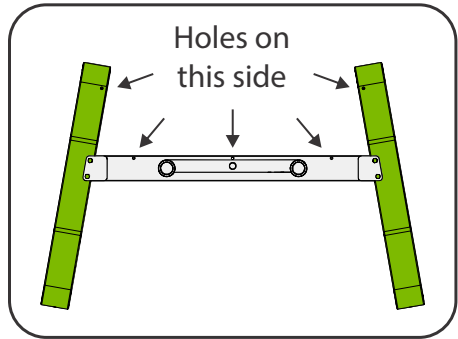
**Check out some of our  
other great products!**

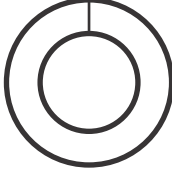

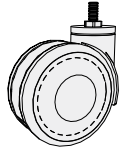
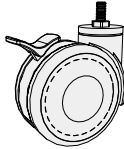
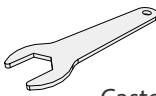


[www.copernicused.com](http://www.copernicused.com)

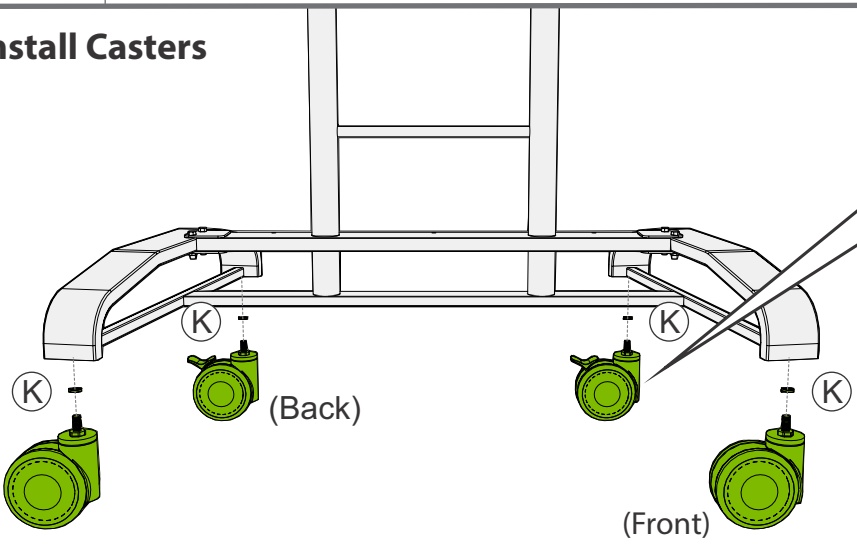
1	Actual Size:  4x  4x  4x  4x
 <b>2-Person Task</b>	You will need: (Not to Scale) <div style="display: flex; justify-content: space-around; align-items: flex-start;"> <div style="text-align: center;">               Base Foot Left 1x           </div> <div style="text-align: center;">               Base Foot Right 1x           </div> <div style="text-align: center;">               Base Frame 1x           </div> </div> <div style="text-align: right; margin-top: 10px;">             Adjustable wrench (2x)    <b>OR</b>              Screwdriver   Phillips #2 or #3              9/16" Wrench (2x)           </div>

### Assemble Base Frame



2	Actual Size:  4x
 <b>2-Person Task</b>	You will need: (Not to Scale) <div style="display: flex; justify-content: space-around; align-items: flex-start;"> <div style="text-align: center;">               5" Caster 2x           </div> <div style="text-align: center;">               5" Locking Caster 2x           </div> <div style="text-align: center;">               Caster Wrench 1x           </div> </div>

### Install Casters



**!** Install locking casters on back of unit.

**!** Tighten using supplied Caster Wrench.

**!** Keep wrench with unit. Casters must be tightened every 6 months for proper maintenance.

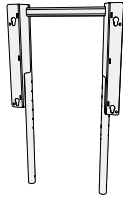


3

Actual Size:



You will need: (Not to Scale)



Mounting Frame  
1x

Adjustable wrench (2x)

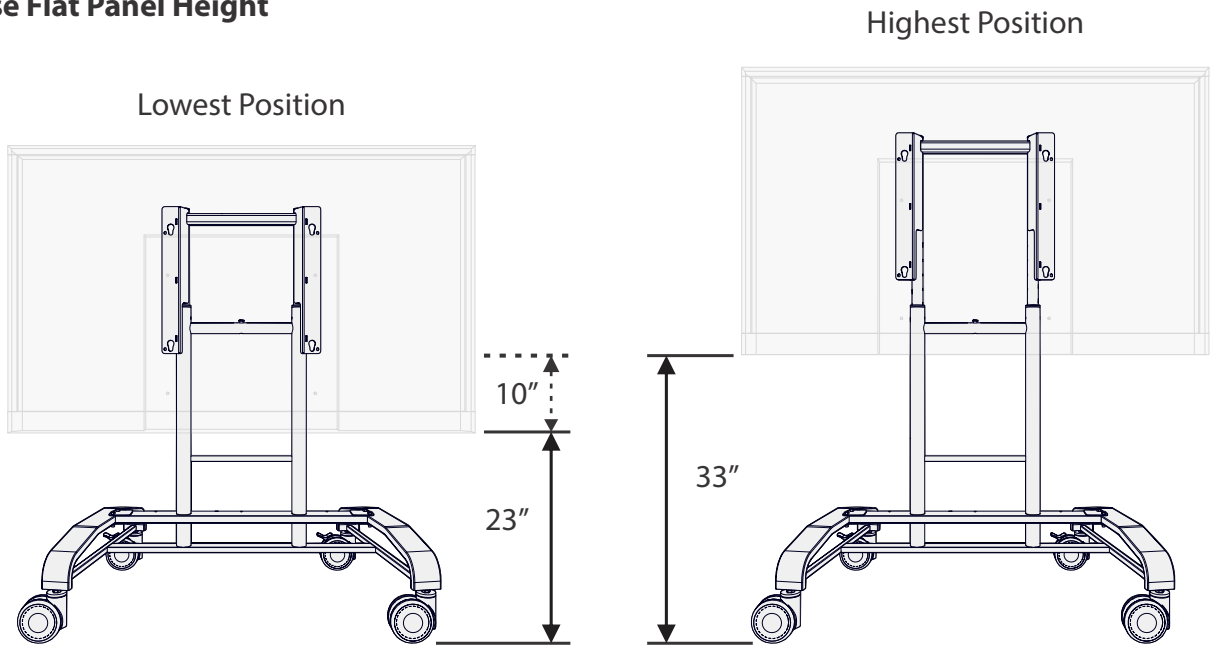


**OR**

7/16" Wrench (2x)

## Installing Mounting Frame

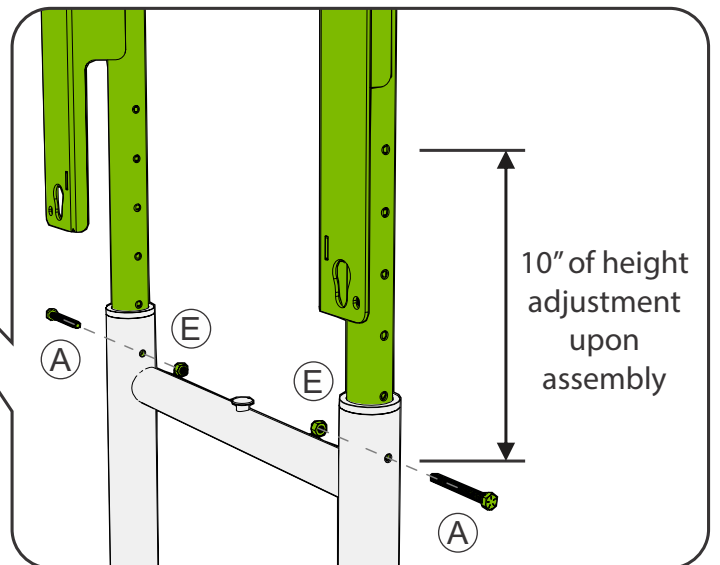
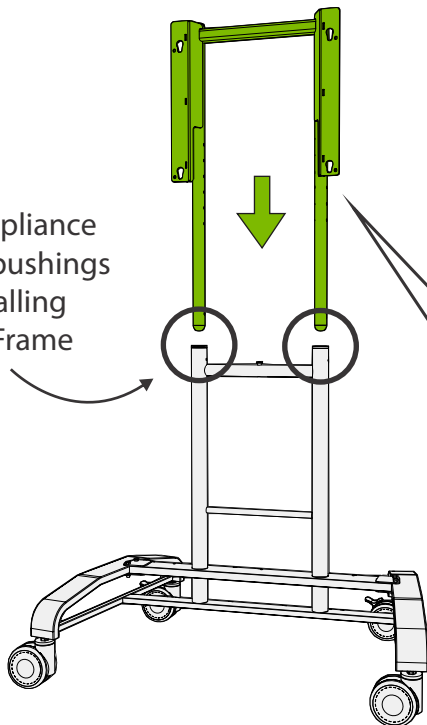
### A Choose Flat Panel Height



*Shown with SMART MX265 Flat Panel installed.  
Measurements are approximate and will vary depending on your flat panel.*

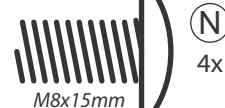
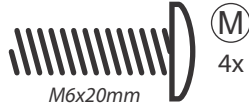
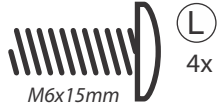
### B Secure Mounting Frame

**!** Remove appliance tape from bushings before installing Mounting Frame

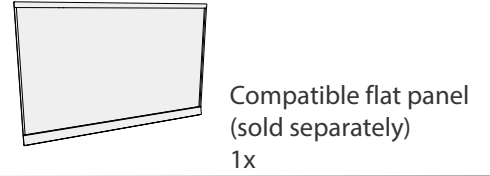
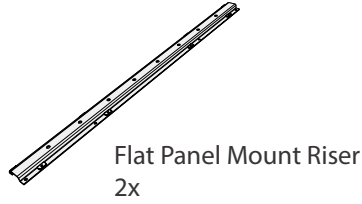


4

Actual Size:



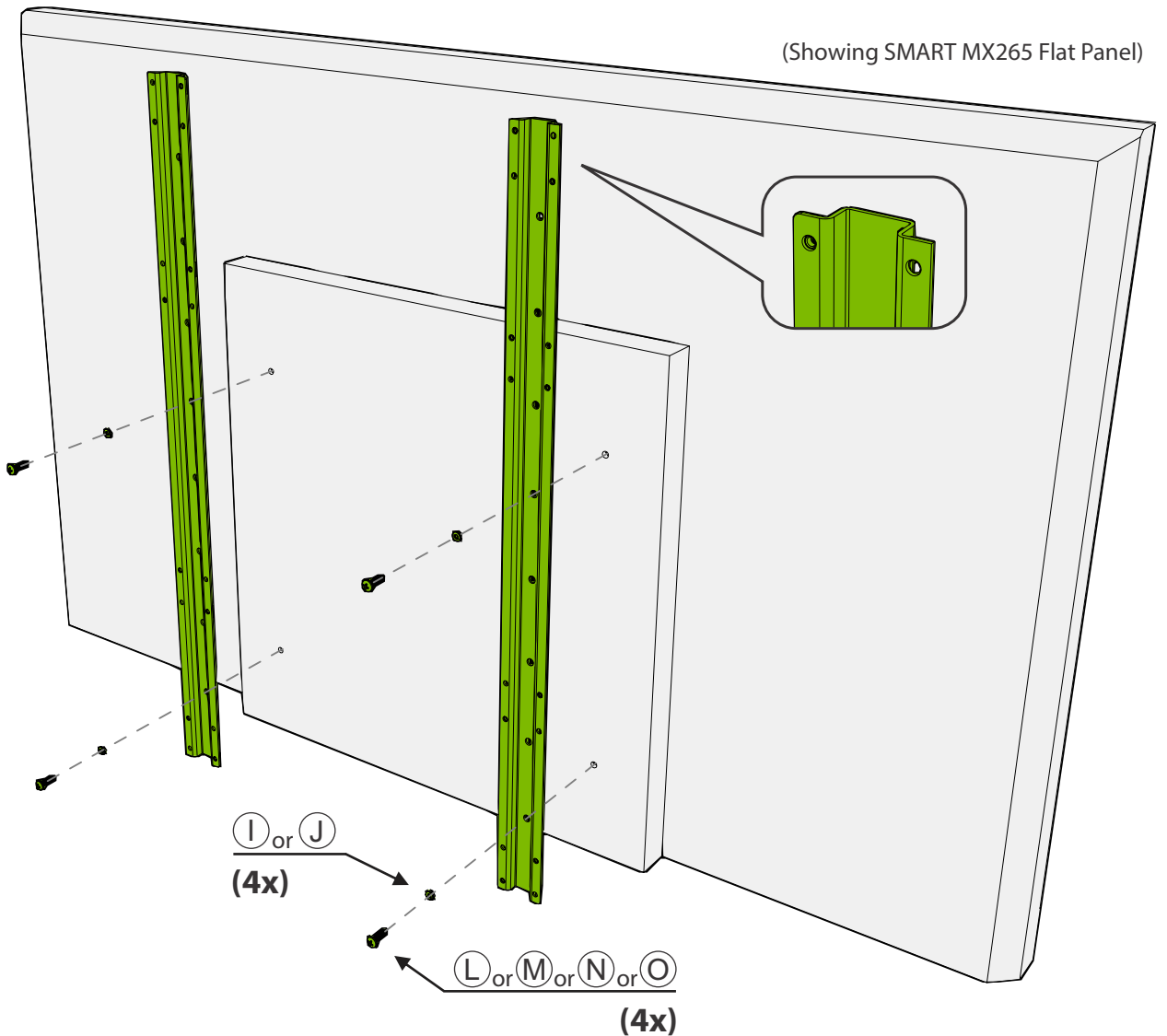
You will need: (Not to Scale)



### Attaching Your Flat Panel Vertical Mounting Stretchers

! Check your flat panel owners manual to determine correct screw size to avoid causing damage to your flat panel.

! Check your flat panel owners manual for correct torque specifications when tightening VESA screws.





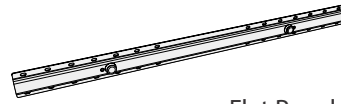
5

Actual Size:



You will need: (Not to Scale)

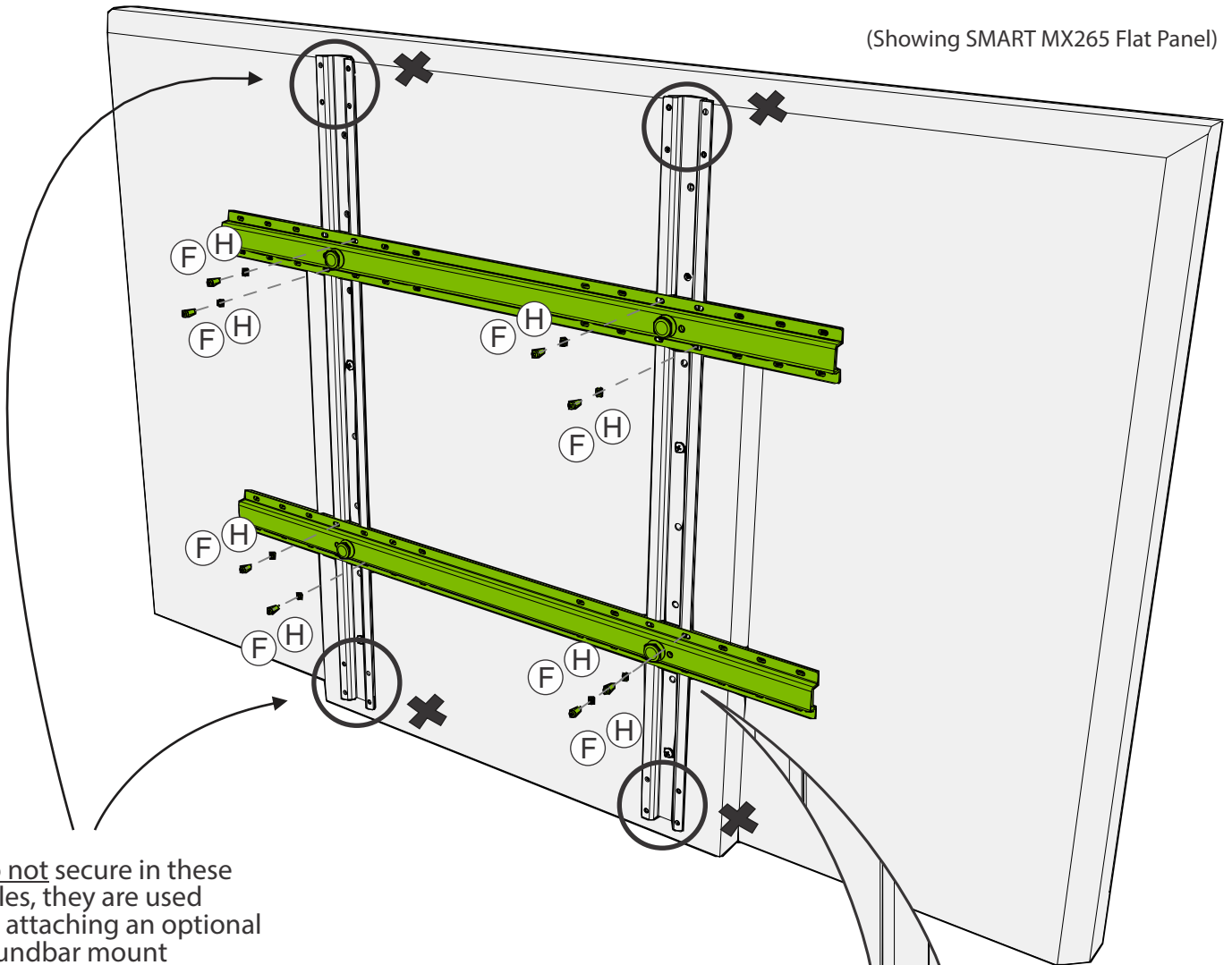
Screwdriver  
⊕ Phillips #2 or #3



Flat Panel Mount Stretcher  
2x

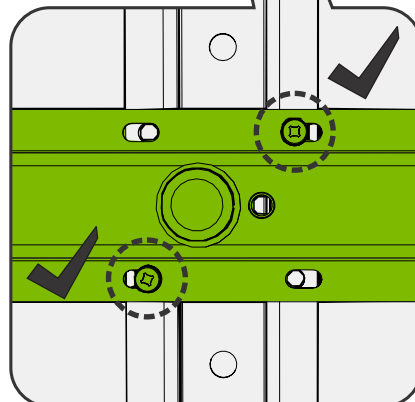
### Install Flat Panel Mount Stretchers

(Showing SMART MX265 Flat Panel)



! Do not secure in these holes, they are used for attaching an optional soundbar mount

! Install screws in holes with threads, only 2 of 4 holes will have threads



6

Actual Size:

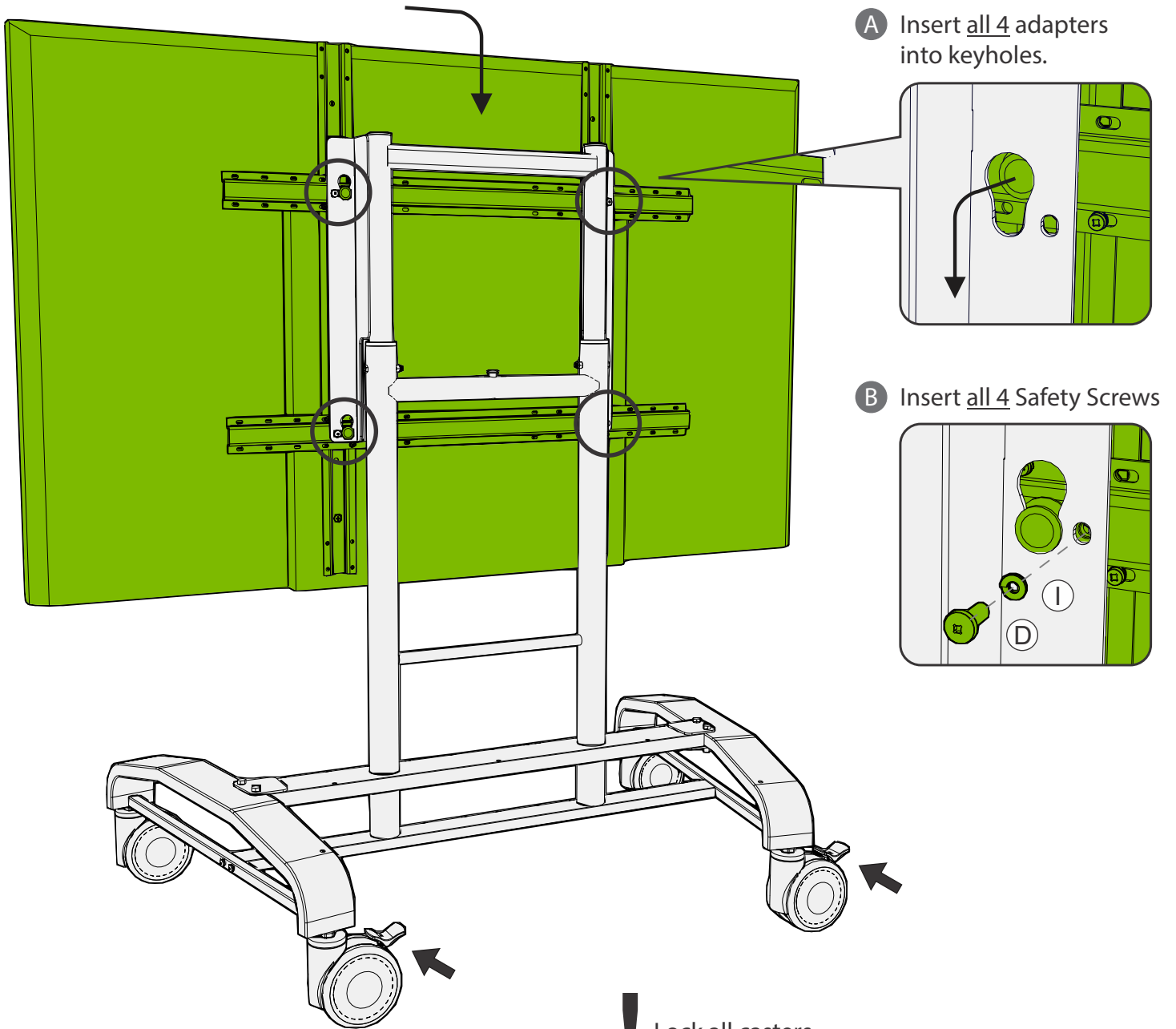


2-Person Task

You will need: (Not to Scale)

Screwdriver  
+ Phillips #2 or #3

## Secure Flat Panel To Cart



A Insert all 4 adapters into keyholes.

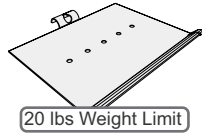
B Insert all 4 Safety Screws

! Lock all casters before attaching flat panel to cart

7

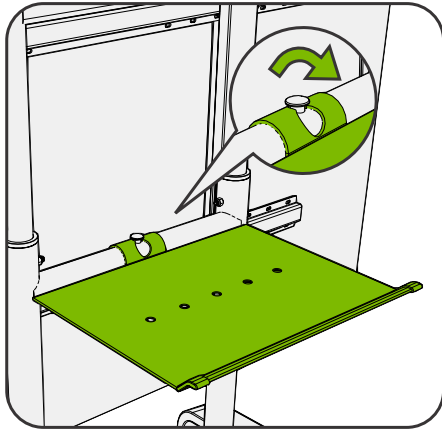
Actual Size:

You will need: (Not to Scale)

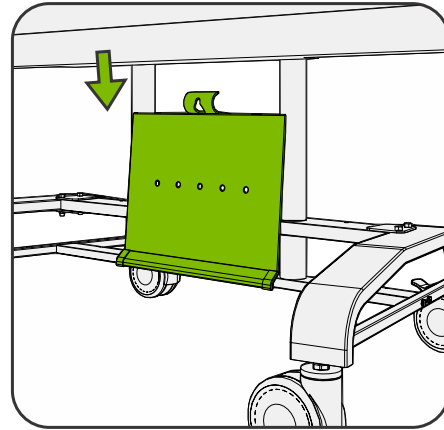


Laptop Tray  
1x

### Attaching Laptop Tray



In-use Position On  
Back of Cart



Stored Position On  
Front of Cart

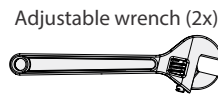
8

Actual Size:

You will need: (Not to Scale)

Screwdriver  
+ Phillips #2 or #3

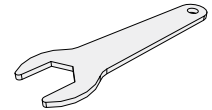
+



OR

7/16" Wrench (2x)  
9/16" Wrench (2x)

+



Caster Wrench  
1x

### Final Assembly Checks

Check entire assembly for loose parts; tighten all casters, bolts, screws and nuts

**!** Tighten all casters using supplied Caster Wrench.

Keep wrench with unit. Casters must be tightened every 6 months for proper maintenance.

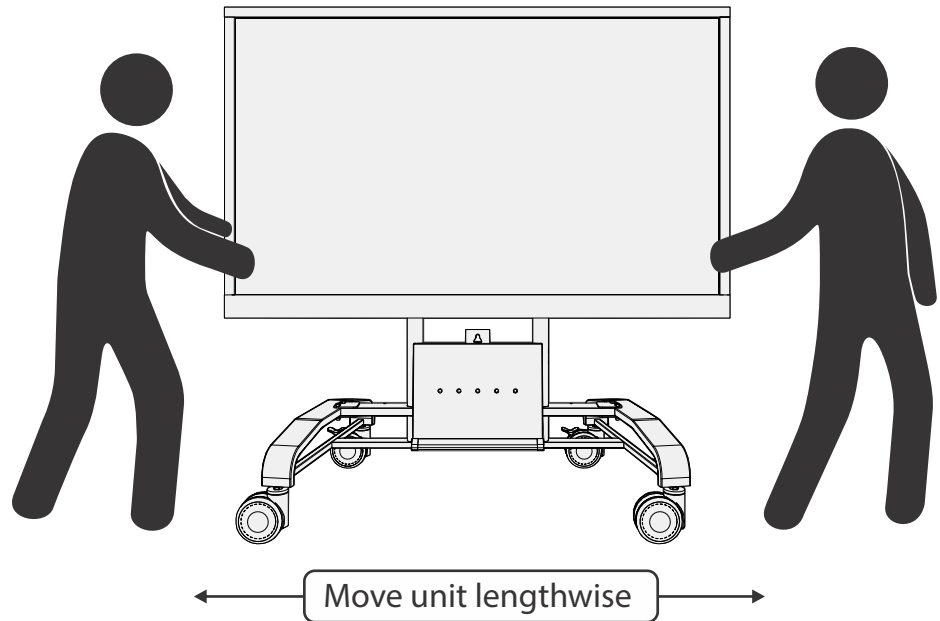


# Moving Your Flat Panel Cart

**Always move with two people.**

**To transport unit:** Always turn off and unplug the flat panel screen before moving.

! Secure laptop tray before moving



## Moving Through Door

When moving your **iRover<sup>2</sup> Interactive Flat Panel Cart Fixed Height** through a door ensure that the unit is shorter than the height of the door.

