

TEC600C-8  
TEC601C-8

# Tech Tub<sup>®</sup> for 6 Tablets



## Assembly Guide

TEC600C-8, TEC601C-8\_2021\_A

Check out our other products online at  
[www.copernicused.com](http://www.copernicused.com)

For assistance, please contact us:

**1-800-267-8494**

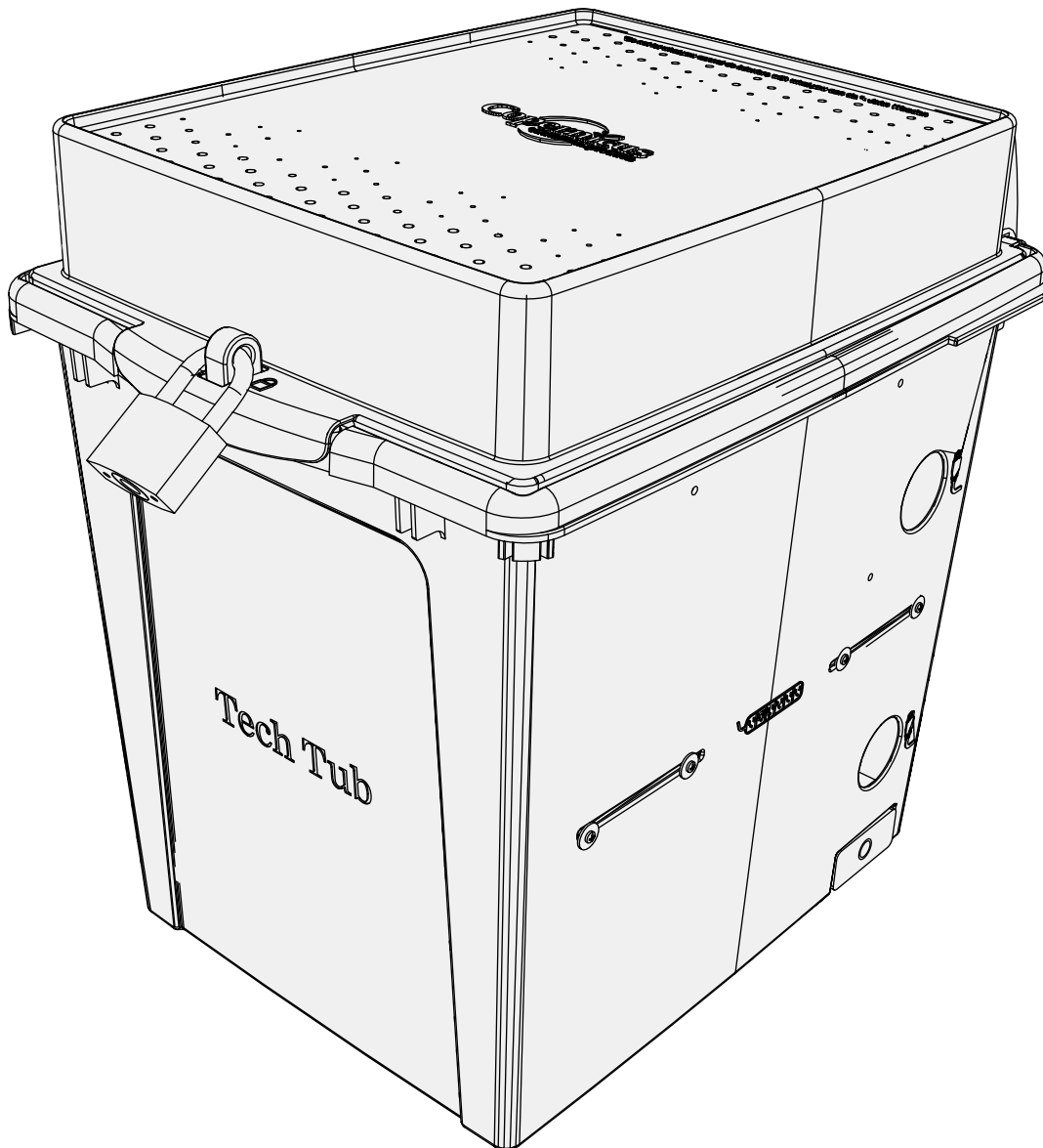
Email [info@copernicused.com](mailto:info@copernicused.com)

Have your packing slip ready for reference

## WARNING



- This product is meant to be assembled by an adult.
- In its unassembled state, small parts present a hazard.
- To be used under direct supervision of an adult.



Please Recycle



## Assembly Guide TEC600C-8, TEC601C-8\_2021\_A

Check out our other products online at  
[www.copernicused.com](http://www.copernicused.com)

For assistance, please contact us:  
**1-800-267-8494**  
**Email [info@copernicused.com](mailto:info@copernicused.com)**  
**Have your packing slip ready for reference**

Dear Educator,

Thank you for purchasing the Tech Tub®. We hope it meets all your expectations and you and your students enjoy using it in your school.

If you have any questions, concerns or ideas on how we can improve please let us know by contacting our Customer Solutions Ninjas at 1-800-267-8494 or [info@copernicused.com](mailto:info@copernicused.com).

Happy teaching,

Kaylyn Belcourt  
President

We do not inherit the earth from our ancestors, we borrow it from our children.

Change is the end result of all true learning.

LEO BUSCAGLIA

NORTH AMERICAN

PROVERB

What you leave behind is not what is engraved in stone monuments, but what is woven into the lives of others.

PERICLES

Education is the most powerful weapon which you can use to change the world.

NELSON MANDELA



### Register your Product

Registering your warranty ensures we have all the information we need to make any future warranty claims quick and easy. Please visit [www.copernicused.com/warranty](http://www.copernicused.com/warranty) and complete the form within 10 business days from product assembly. By registering your product, you will be entered into a draw to win Copernicus product.

### Make a Warranty Claim

We offer a Lifetime Warranty on almost everything we make. Please call 1-800-267-8494 or email [info@copernicused.com](mailto:info@copernicused.com) to start your warranty claim. Proof of purchase will be required upon warranty claim (i.e. copy of invoice).



# Warning! Hazard Risks!

Please read the warnings below for important safety information regarding your product. Failure to read these warnings or to follow the instructions below could result in personal injury or damage to your product that could void your warranty.



Small Parts

In its unassembled state, this product contains parts that can be hazardous to small children. This product should be assembled by an adult.



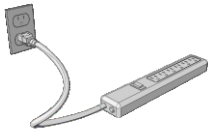
Adult Supervision

This product is to be used under the supervision of an adult.



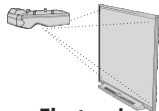
Indoor Use Only

This product is intended for indoor use only. To reduce the risk of fire or electric shock, do not expose this product to rain or moisture. The internal components are not sealed from the environment.



Power Strip Specifications

Read your power strip electrical specifications. Only plug in devices that are approved for use with this power strip. Connect the supplied power strip directly to a wall outlet. **Do not connect to another power strip or use an extension cord.** Unplug when not in use. **Do not leave this product plugged in for more than 72 consecutive hours.** Turn off power strip before unplugging.



Electronic Equipment

Read the electrical specifications of any electronic equipment you are using with your Copernicus products. Failure to read these specifications and follow their instructions could result in damage to your equipment or personal injury.



Cable Trip Hazard

Ensure that any cables extending across the floor to your product are properly bundled and marked to avoid tripping or falling which may lead to personal injury.



Electrical Shock

Do not install or use the electrical components of this unit during a lightning storm.



Climb Hazard

Do not climb on, hang from or suspend objects from any components of your product unless otherwise specified.

**Before beginning, you should have:**

Additional tools required:



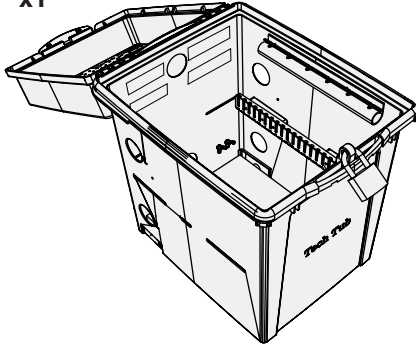
Adjustable wrench **x2**

**OR**

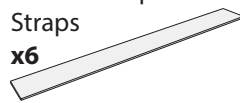
11mm Wrench **x2**

Contents - Box 1

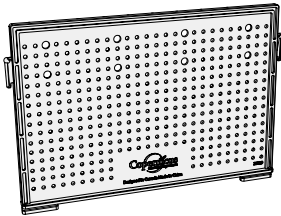
Tech Tub<sup>®</sup>  
**x1**



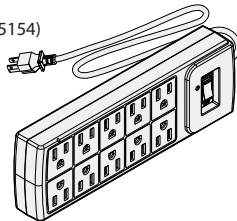
Hook & Loop Straps  
**x6**



Divider  
**x6**  
(23229)



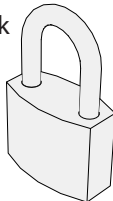
10-Outlet Power Strip  
**x1**  
(255154)



Cable Hook  
**x2**



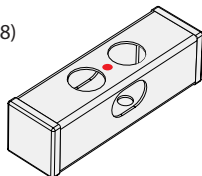
Padlock  
**x1**



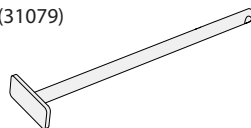
Key  
**x3**



Locking Block  
**x1**  
(31078)



Locking Pin  
**x1**  
(31079)



Hardware  
Actual Size

**A**

M4 Wing Nut  
**x8**



**B**

M4 Lock Washer  
**x8**



**C**

M4 x 14mm  
Carriage Screw  
**x4**



**D**

M4 Flat Washer  
**x4**



**E**

M6 Washer  
**x6**



**F**

M6 Lock Nut  
**x2**



**G**

M6 x 70mm  
Screw  
**x2**



Allen Key 4mm  
**1x**



**Before beginning, you should have:**

Additional tools required:



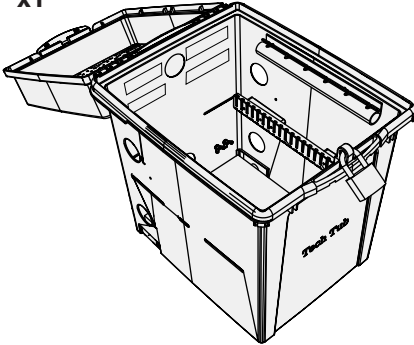
Adjustable wrench **x2**

**OR**

11mm Wrench **x2**

Contents - Box 1

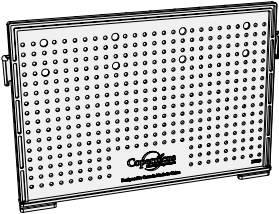
Tech Tub®  
**x1**



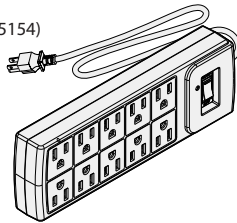
Hook & Loop Straps  
**x6**



Divider  
**x6**  
(23229)



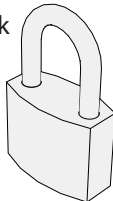
10-Outlet Power Strip  
**x1**  
(255154)



Cable Hook  
**x2**



Padlock  
**x1**



Key  
**x3**



In Box 1

Hardware  
Actual Size

A

M4 Wing Nut  
**x8**



B

M4 Lock Washer  
**x8**



C

M4 x 14mm  
Carriage Screw  
**x4**



D

M4 Flat Washer  
**x4**



# Tips for Assembly

## Watch for These Helpful Symbols

This symbol denotes a 2-Person Task. For safety, please ensure that there are the suggested number of people working on steps displaying this symbol.



Watch for this symbol throughout the Assembly Guide. Wherever you see it, pay close attention. The symbol denotes a step needing extra attention to ensure it is done correctly.



The star symbol highlights an advisory note.

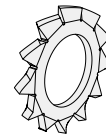
## Before You Begin

- Lay out and identify all of the included parts.
- The hardware has been packed according to step.
- Read the assembly guide over once to familiarize yourself with them.



**!** Please note that in its unassembled state, this product contains parts that can be hazardous to small children. This product should be assembled by an adult.

**!** Please note, star washers are critical components for electrical safety. Star washers must be included and fasteners fully tightened to prevent the risk of electric shock..



## As You Assemble the Unit

- Follow the steps in sequence.
- Before beginning each step, find the part(s) that you need for that step.
- Pay attention to the labels on the parts; they are there to help direct you at certain stages.
- The title of each step states what you will be doing. Review the text and the pictures as you build the unit.

# Customer Service - FAQ's



### For missing parts and other issues:

Please call Copernicus Customer Service, where we will be happy to help.

1-800-267-8494. Monday - Friday 8:00am - 4:30 pm EST.

OR

Email our Tech Support Service at [vanessa@copernicused.com](mailto:vanessa@copernicused.com)

**Need Tech Support?  
Have a Question?**



Email our Tech Support Service

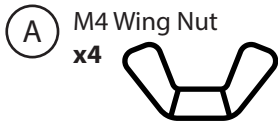
**Check out some of our  
other great products!**



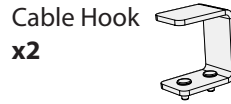
[www.copernicused.com](http://www.copernicused.com)

1

Actual Size:

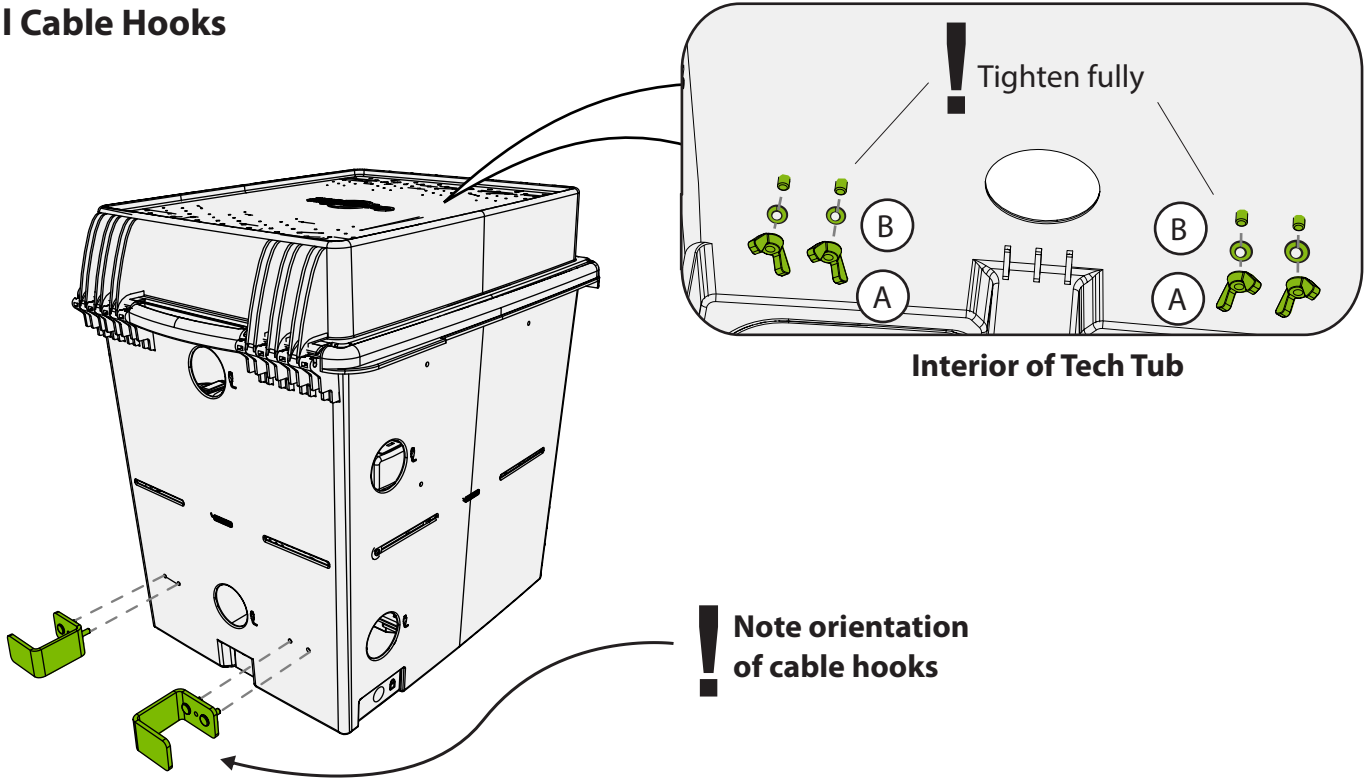


You will need: (Not to Scale)



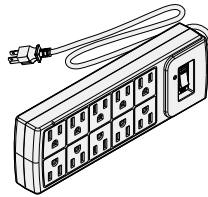
Tech Tub<sup>®</sup> x1 

### Install Cable Hooks



2

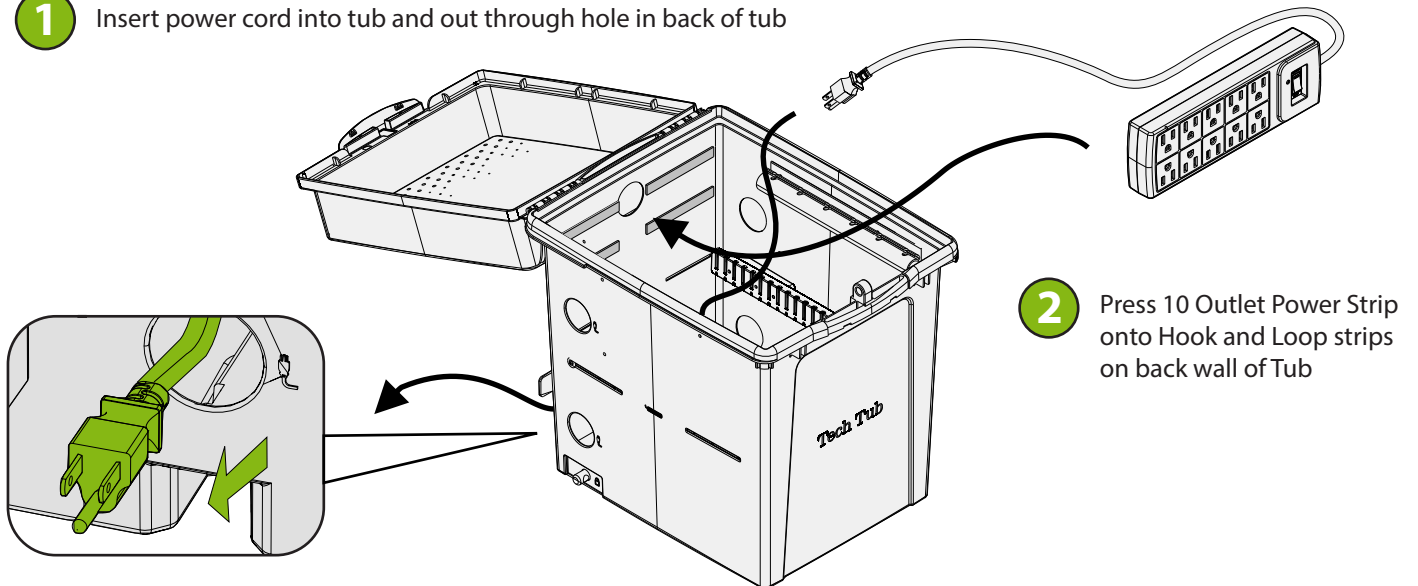
You will need: (Not to Scale)



10-Outlet Power Strip x1 (255154)

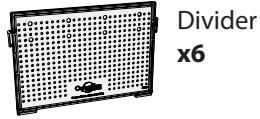
### Install Power Strip

1 Insert power cord into tub and out through hole in back of tub



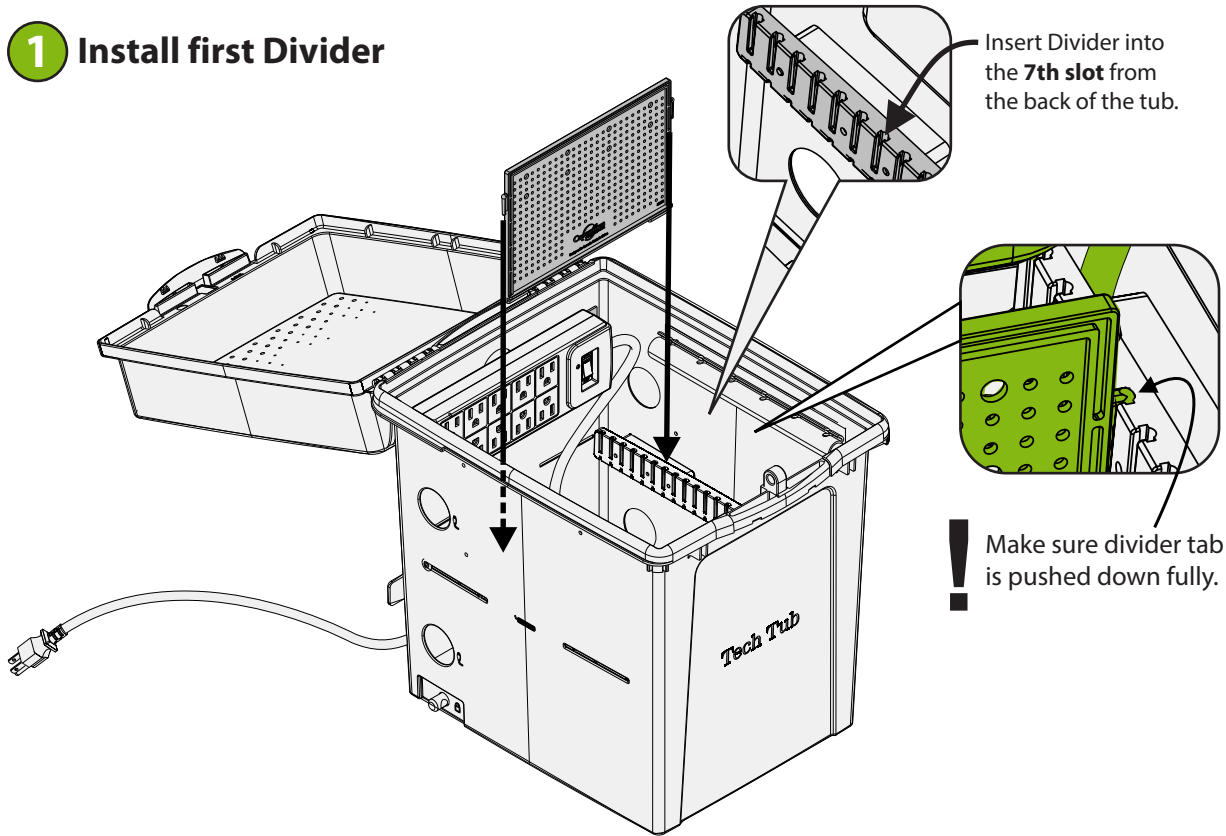
# 3

You will need: (Not to Scale)



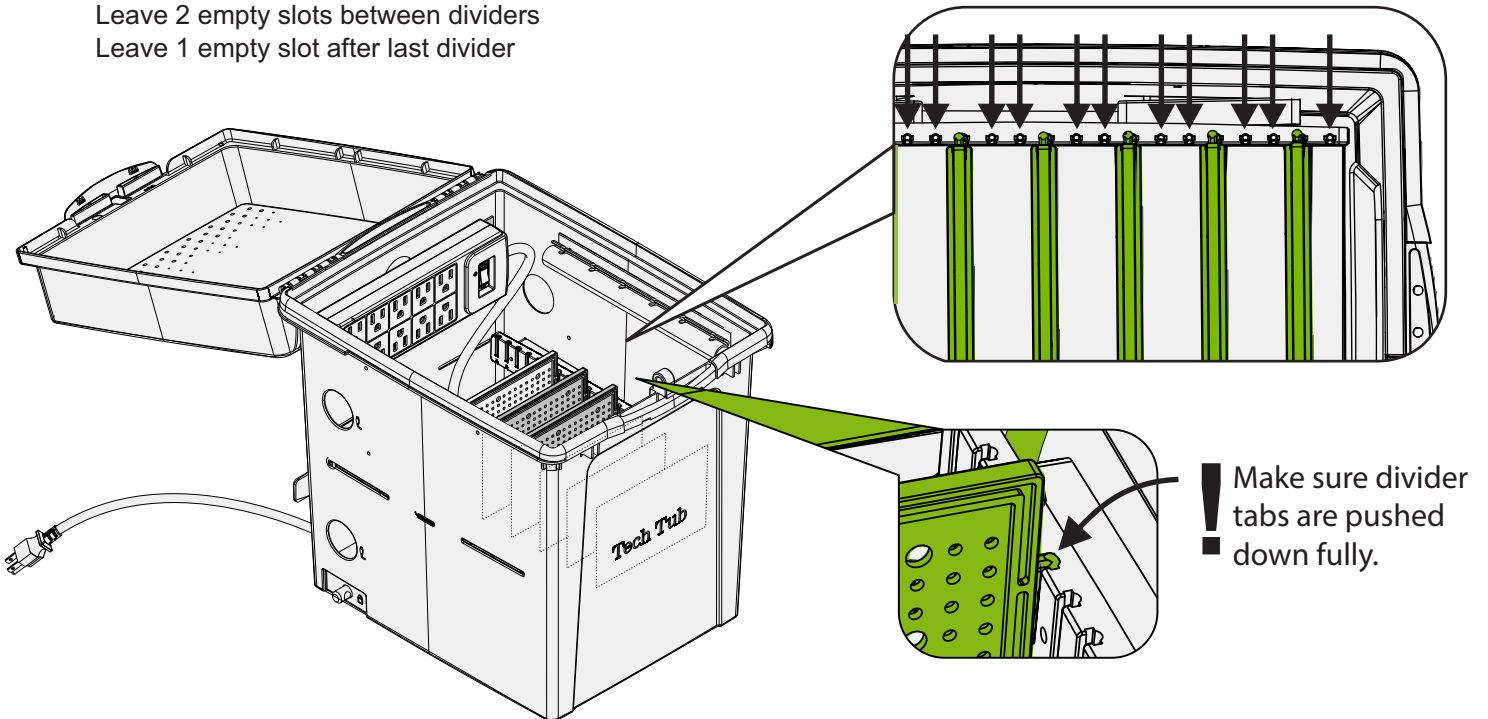
## Install Dividers

### 1 Install first Divider



### 2 Install Remaining Dividers

Leave 2 empty slots between dividers  
Leave 1 empty slot after last divider

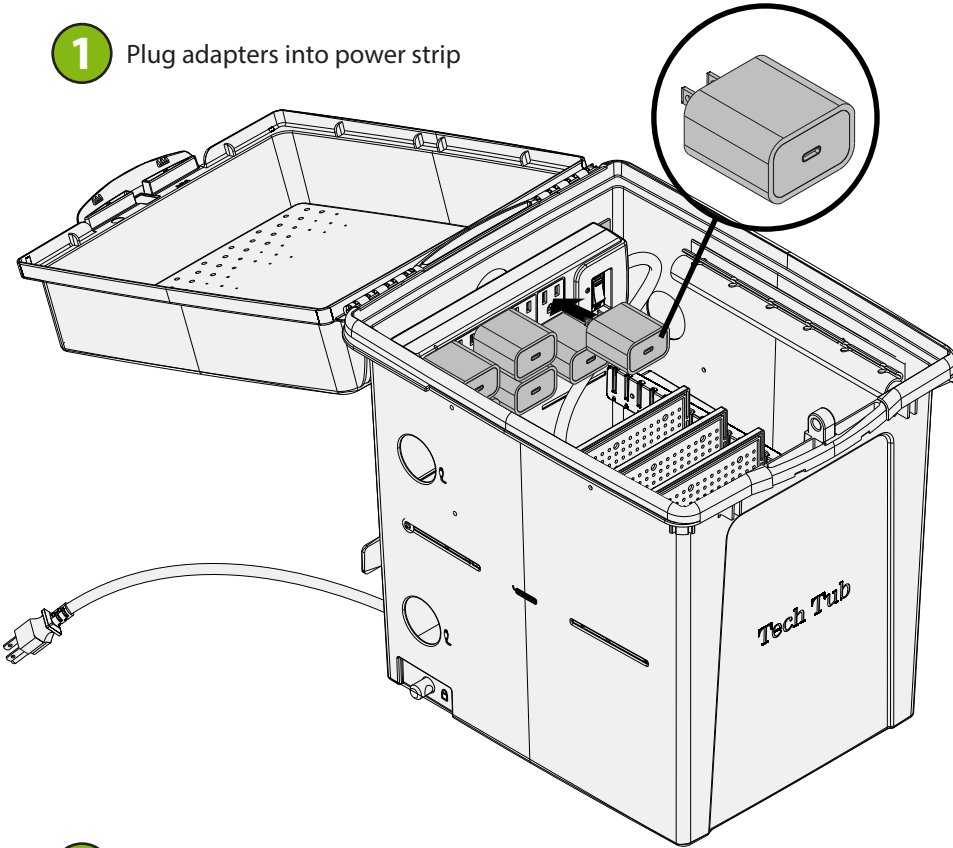




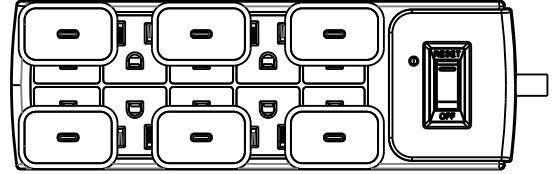
# 4

## Install Power Adapters and USB Cables

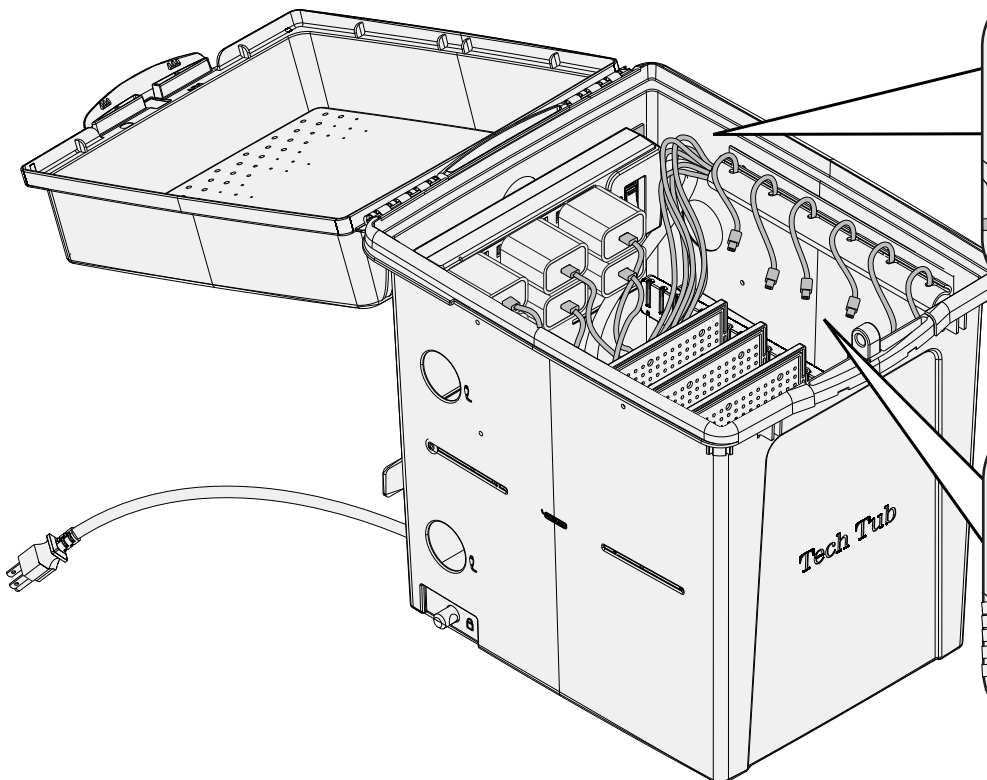
**1** Plug adapters into power strip



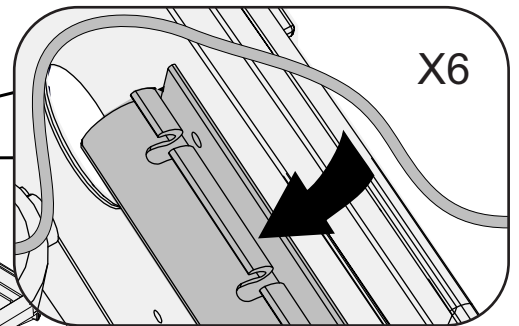
Adapter spacing



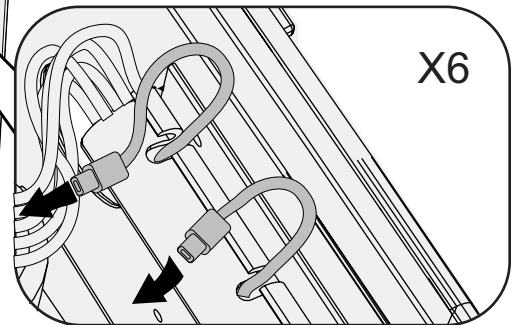
**2** Plug USB cables into power adapters



**3** Push USB cable into cable management channel



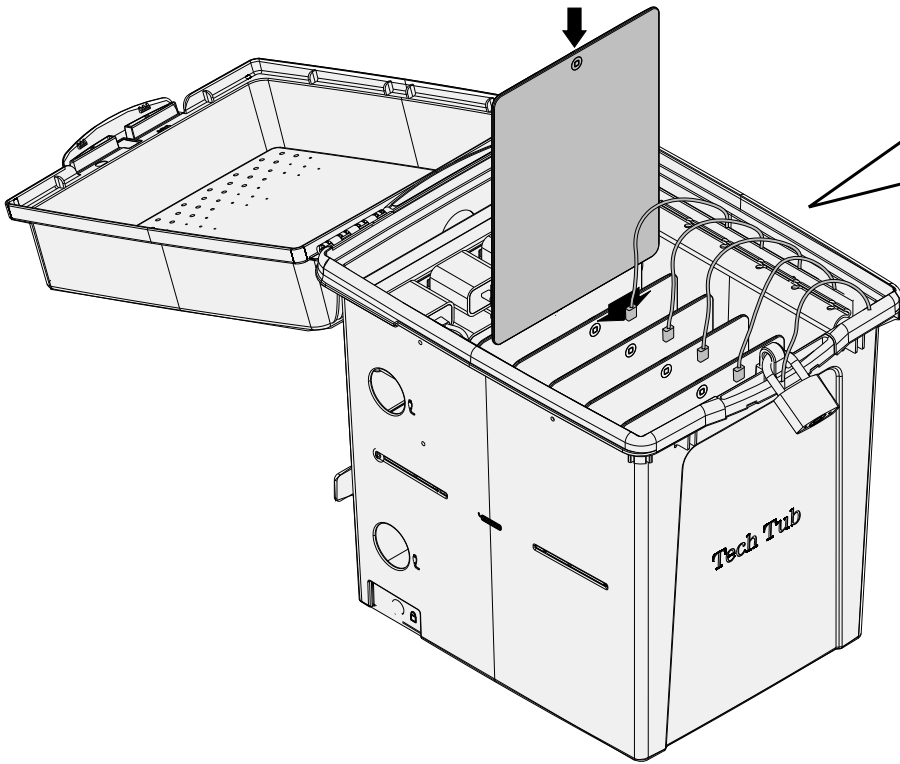
**4** Route USB cable out through slots in cable management channel



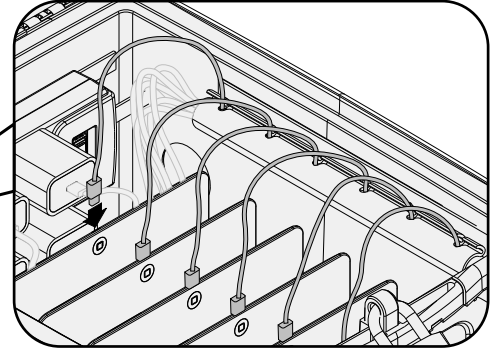
# 5

## Insert devices into Tub and begin charging

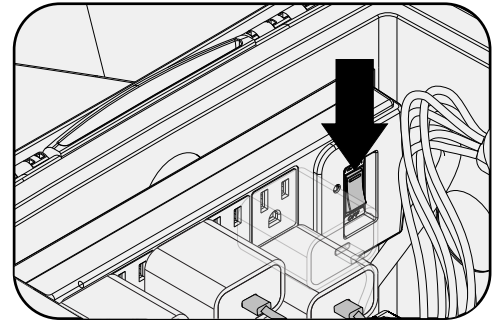
1 Insert device into Tub with charging port facing up



2 Plug USB charging cables into devices

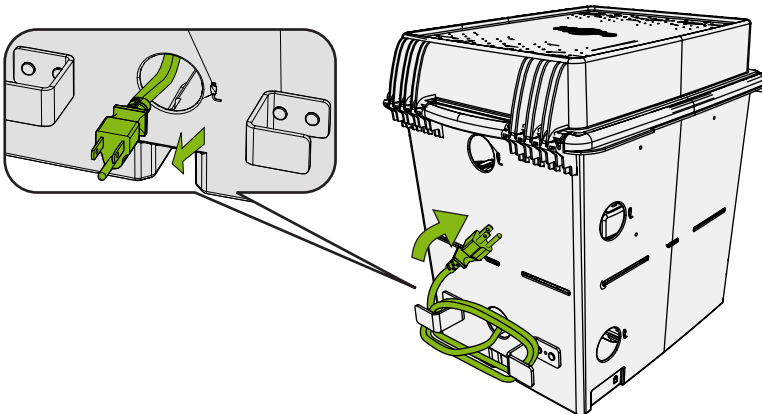


3 Plug in power cable and turn on Power Strip to begin charging devices.



# 6

## Wrap Power Strip Cable



! Plug cable directly into wall outlet.  
**DO NOT PLUG THIS POWER STRIP INTO ANOTHER POWER STRIP.**

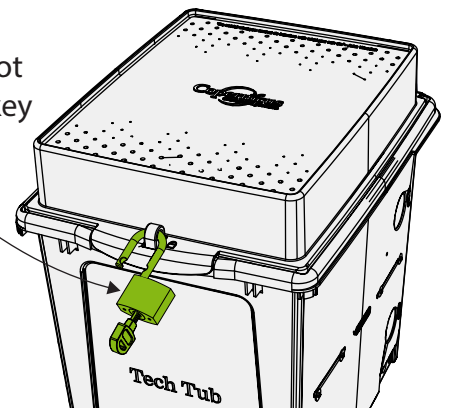
# 7

You will need: (Not to Scale)



## Lock Lid with Padlock

Note:  
 ! Padlock will not lock without key

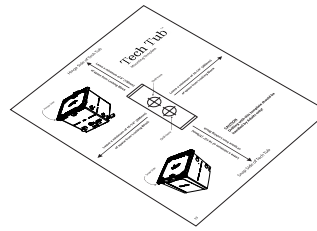


# OPTIONAL: Follow Steps 8 to 10 to install the Tech Tub<sup>®</sup> Locking Block and Locking Pin System (TEC600C-8 ONLY)

8

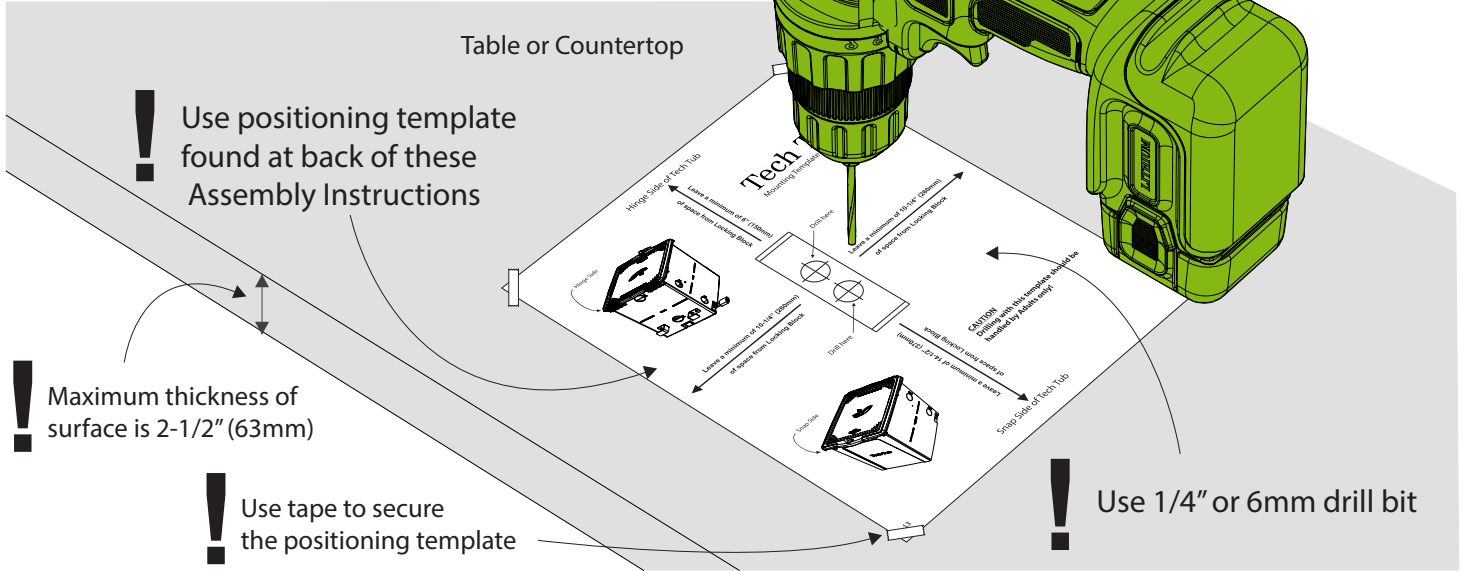
You will need: (Not to Scale)

★ This system allows you to lock your Tech Tub<sup>®</sup> to a table or countertop. This is a really good idea if you leave your devices out in the open or your room doesn't lock. You can then lock the Tech Tub in place and lock the Tech Tub itself.



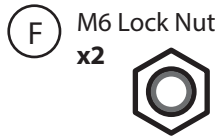
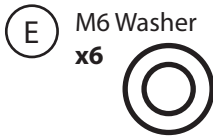
Positioning Template (found at back of this guide)  
x1

## Use Template and Drill Holes into Surface

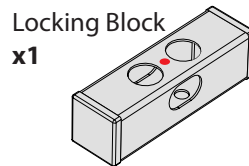


9

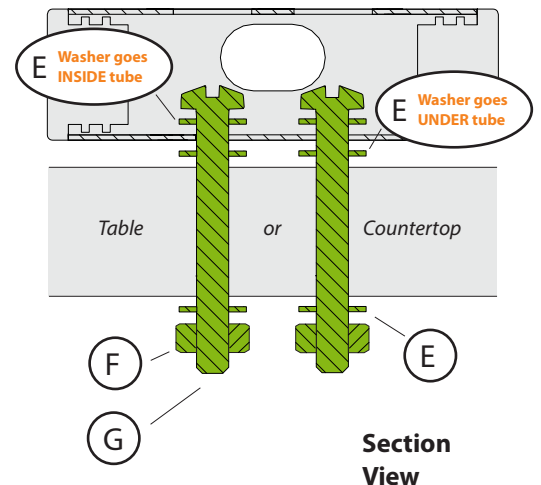
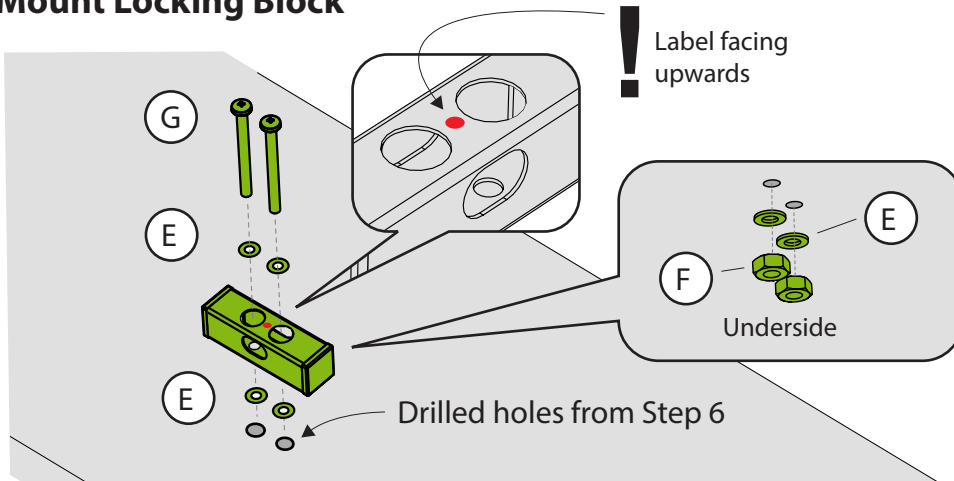
Actual Size:



You will need: (Not to Scale)



## Mount Locking Block

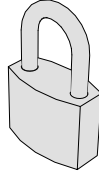


# OPTIONAL: Follow Steps 8 to 10 to install the Tech Tub<sup>®</sup> Locking Block and Locking Pin System (TEC600C-8 ONLY)

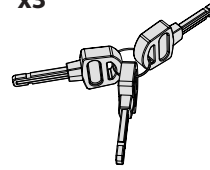
10

You will need: (Not to Scale)

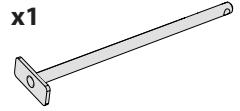
Padlock  
x1



Key  
x3

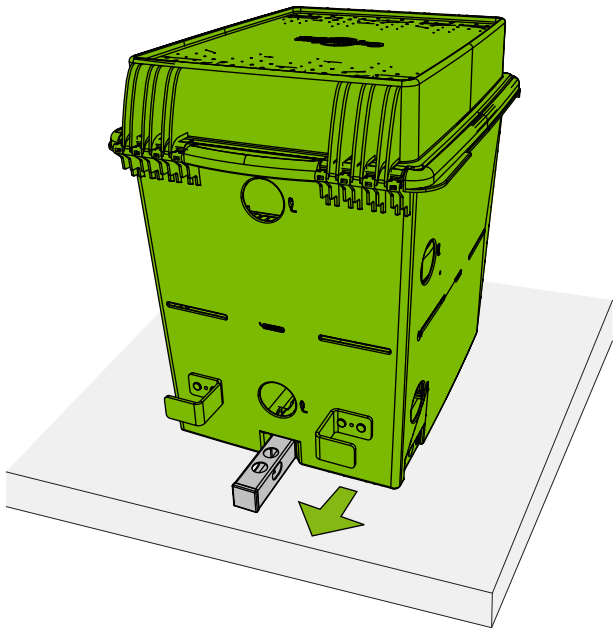


Locking Pin  
x1

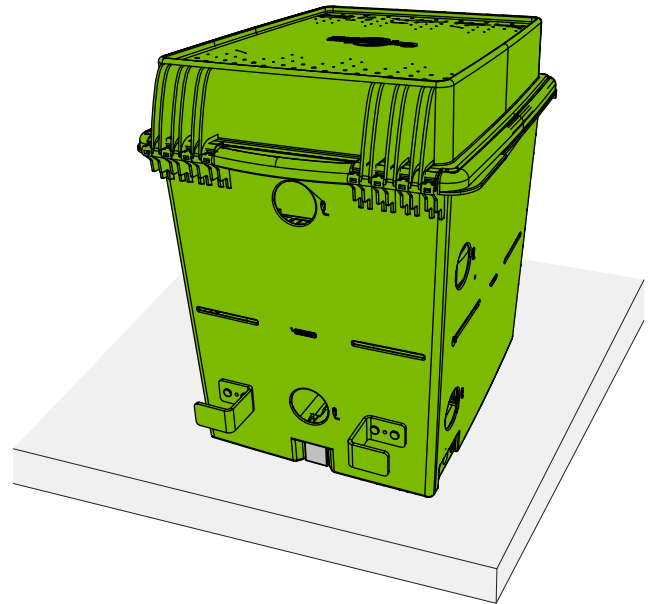


## Lock the Tech Tub<sup>®</sup> with Locking Pin

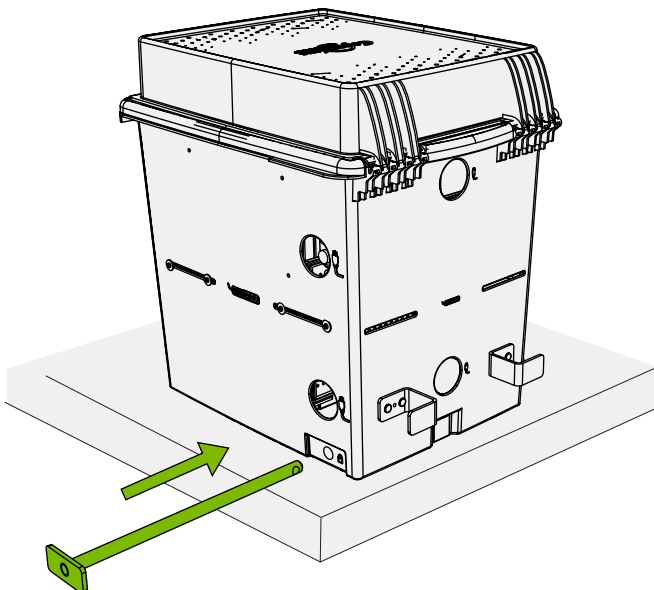
1 Push Tech Tub<sup>®</sup> onto Locking Block



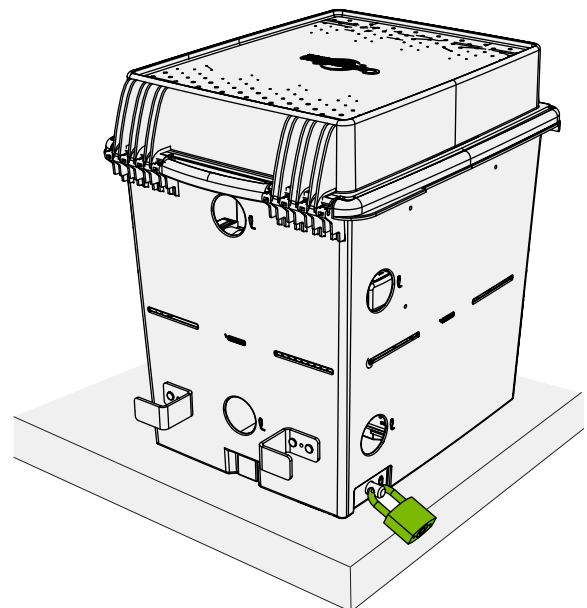
2 Push Tech Tub<sup>®</sup> all the way back until the Locking Block is completely in channel.



3 Slide Locking Pin through hole on Tech Tub<sup>®</sup>



4 Secure Locking Pin with Padlock on other side.





# Tips for Use

## Device Management

Keeping track of your devices can be made even easier by creating a sign-out program.

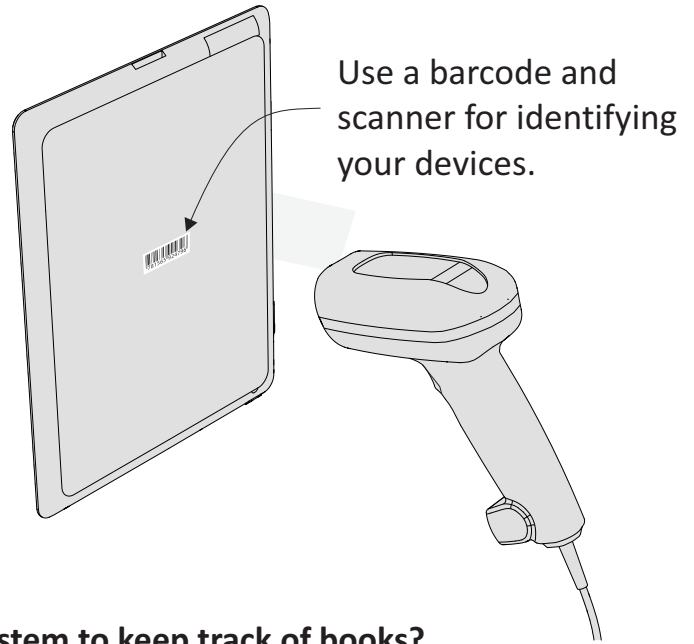
There are many automated software solutions available that make setting up and running a device check-out program very easy.

Here is a list of some companies and their products:

*ResourceMate*® - [www.resourcebate.com](http://www.resourcebate.com)

*Neuton Data Systems* - [www.neuton.net](http://www.neuton.net)

*IntelliScanner* - [www.intelliscanner.com](http://www.intelliscanner.com)



★ Does your school already use an automated system to keep track of books?  
You could use this system to also keep track of your devices!

## Carrying your Tech Tub®

Use the Handles along the sides of the Tech Tub® for easy lifting and carrying.

