



## Assembly Guide

FTT-ACW / FTT600-W\_2017\_A

Check out our other products online at  
[www.copernicused.com](http://www.copernicused.com)

For assistance, please contact us:

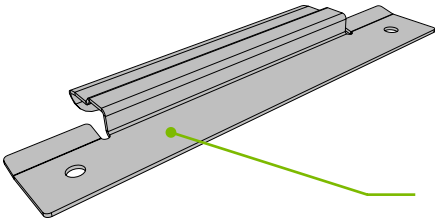
**1-800-267-8494**

Email [info@copernicused.com](mailto:info@copernicused.com)

**Have your packing slip ready for reference**

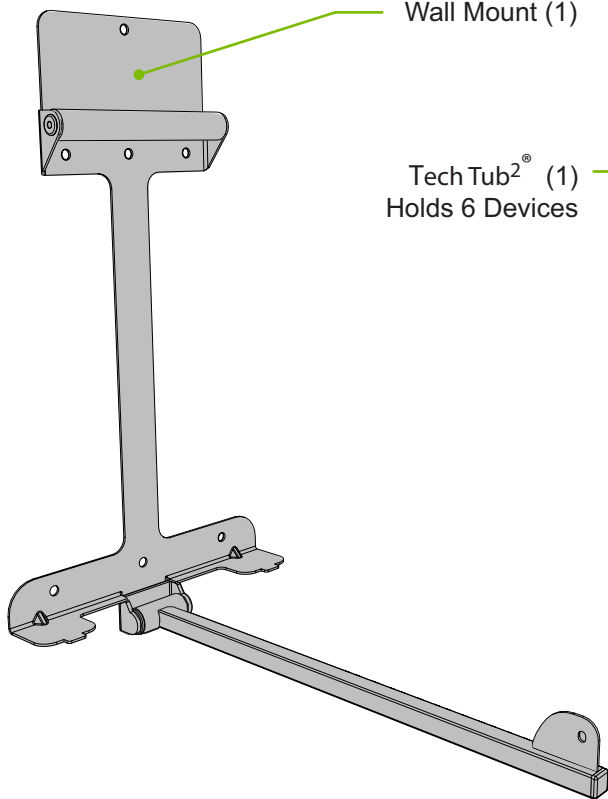
## WARNING !

- This product is meant to be assembled by an adult.
- In its unassembled state, small parts present a hazard.
- To be used under direct supervision of an adult.



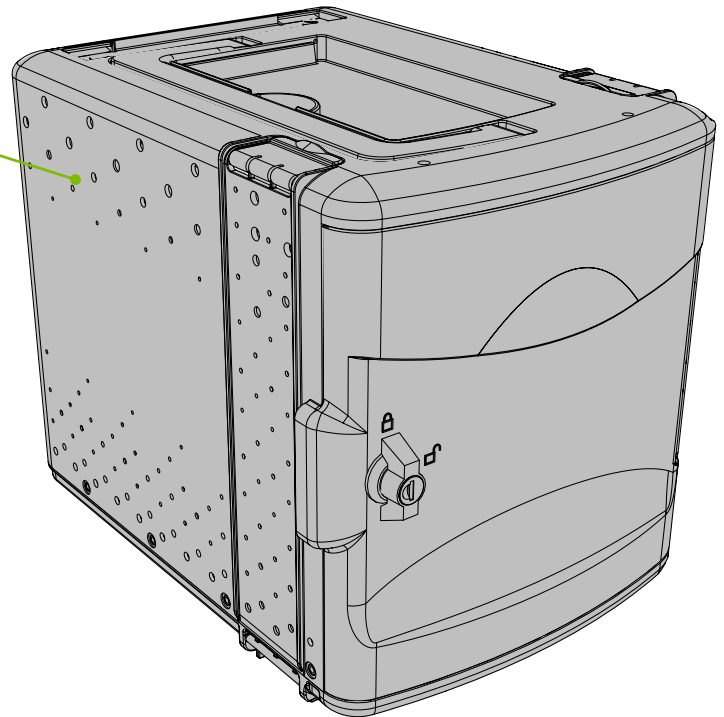
Tub Bracket (1)

**NOTE:**  
Wall mounting hardware is not included. Installer must supply fasteners suitable for the mounting surface. Wall Mount only supports a single 6 device Tech Tub<sup>2</sup>®



Wall Mount (1)

Tech Tub<sup>2</sup>® (1)  
Holds 6 Devices





## Assembly Guide

FTT-ACW / FTT600-W\_2017\_A

Check out our other products online at  
[www.copernicused.com](http://www.copernicused.com)

For assistance, please contact us:

**1-800-267-8494**

Email [info@copernicused.com](mailto:info@copernicused.com)

**Have your packing slip ready for reference**

Dear Educator,

Thank you for purchasing one of our products. I hope that the Tech Tub<sup>2</sup>® Wall Mount is useful in your classroom.

If you have any questions, concerns, or ideas please contact us by telephone at 1-800-267-8494 or email at [info@copernicused.com](mailto:info@copernicused.com).

Enjoy using your new product and happy teaching.

Jim Phillips  
Chief Cook and Bottle Washer



We do not inherit the earth from our ancestors, we borrow it from our children.

NORTH AMERICAN  
PROVERB

Change is the end result of all true learning.

LEO BUSCAGLIA

What you leave behind is not what is engraved in stone monuments, but what is woven into the lives of others.

PERICLES

Education is the most powerful weapon which you can use to change the world.

NELSON MANDELA



### Validate Your Warranty

To validate your warranty, submit the ON-LINE form at [www.copernicused.com](http://www.copernicused.com)  
**Enter a draw to win a Copernicus Product for your classroom at the same time!**



# Warning! Hazard Risks!

Please read the warnings below for important safety information regarding your product. Failure to read these warnings or to follow the instructions below could result in personal injury or damage to your product that could void your warranty.



Small Parts

In its unassembled state, this product contains parts that can be hazardous to small children. This product should be assembled by an adult.



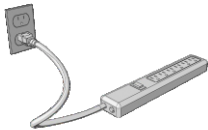
Adult Supervision

This product is to be used under the supervision of an adult.



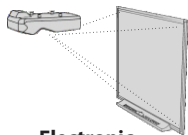
Indoor Use Only

This product is intended for indoor use only. To reduce the risk of fire or electric shock, do not expose this product to rain or moisture. The internal components are not sealed from the environment.



Power Strip Specifications

Read your power strip electrical specifications. Only plug in devices that are approved for use with this power strip. Connect the supplied power strip directly to a wall outlet. **Do not connect to another power strip or use an extension cord.** Unplug when not in use. **Do not leave this product plugged in for more than 72 consecutive hours.** Turn off power strip before unplugging.



Electronic Equipment

Read the electrical specifications of any electronic equipment you are using with your Copernicus products. Failure to read these specifications and follow their instructions could result in damage to your equipment or personal injury.



Cable Trip Hazard

Ensure that any cables extending across the floor to your product are properly bundled and marked to avoid tripping or falling which may lead to personal injury.



Electrical Shock

Do not install or use the electrical components of this unit during a lightning storm.



Climb Hazard

Do not climb on, hang from or suspend objects from any components of your product unless otherwise specified.

# Tips for Assembly

## Watch for These Helpful Symbols

This symbol denotes a 2- or 3- Person Task. For safety, please ensure that there are the suggested number of people working on steps displaying this symbol.



Watch for this symbol throughout the Assembly Guide. Wherever you see it, pay close attention. The symbol denotes a step needing extra attention to ensure it is done correctly.



The star symbol highlights an advisory note.

## Before You Begin

- Lay out and identify all of the included parts.
- The hardware has been packed together.
- Read the assembly guide over once to familiarize yourself with them.



**!** Please note that in its unassembled state, this product contains parts that can be hazardous to small children. This product should be assembled by an adult.

## As You Assemble the Unit

- Follow the steps in sequence.
- Before beginning each step, find the part(s) that you need for that step.
- Pay attention to the labels on the parts; they are there to help direct you at certain stages.
- The title of each step states what you will be doing. Review the text and the pictures as you build the unit.

# Customer Service - FAQ's



## For missing parts and other issues regarding this product:

Please call Copernicus Customer Service, where we will be happy to help.  
1-800-267-8494. Monday - Friday 8:30am - 4:30 pm EST.  
OR  
Email our Tech Support Service at [info@copernicused.com](mailto:info@copernicused.com)

## Need Tech Support? Have a Question?



Email our Tech Support Service

## Check out some of our other great products!



[www.copernicused.com](http://www.copernicused.com)

## Before beginning, you should have:

Additional tools required:



Adjustable wrench  
(x1)

OR

7/16" Wrench  
(x1)

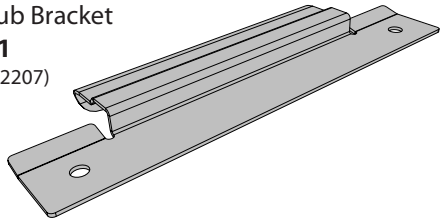


Screwdriver

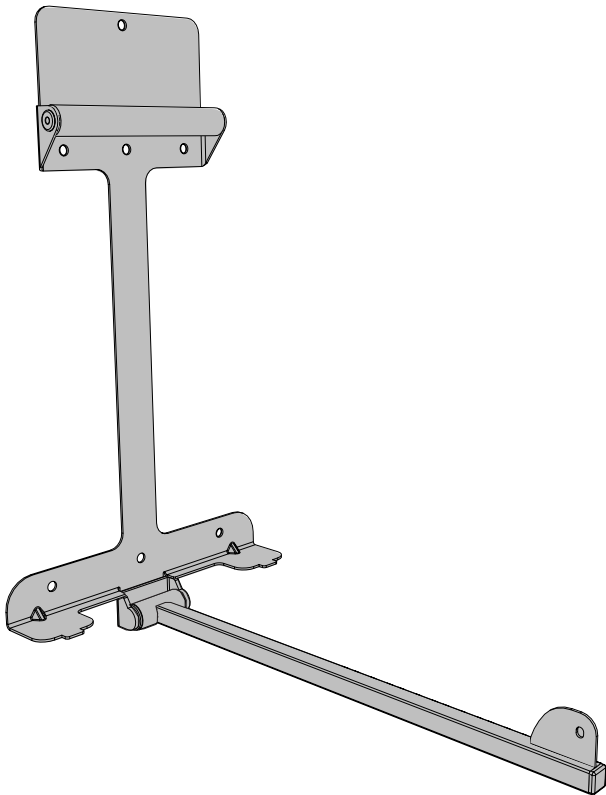


### Contents - Box 1

Tub Bracket  
**x1**  
(32207)



Wall Mount  
**x1**



In Box 1

### Hardware Actual Size

(A) 1/4" x 1/2" Screw  
(4300382)  
**x2**



(B) 1/4" Flat Washer  
(43019)  
**x2**



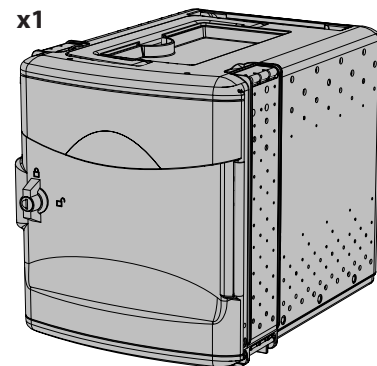
(C) 1/4" Keps Nut  
(4301621)  
**x2**



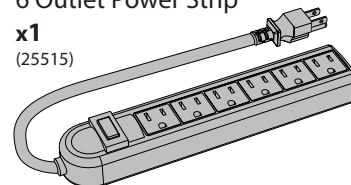
### FTT600-A (x1)

**(FOR FTT600-W ONLY)**

Tech Tub<sup>2</sup>® - 6 Device  
(FTT600)  
**x1**

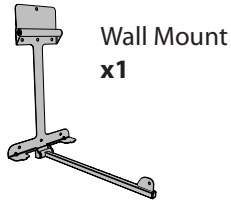


6 Outlet Power Strip  
**x1**  
(25515)



1

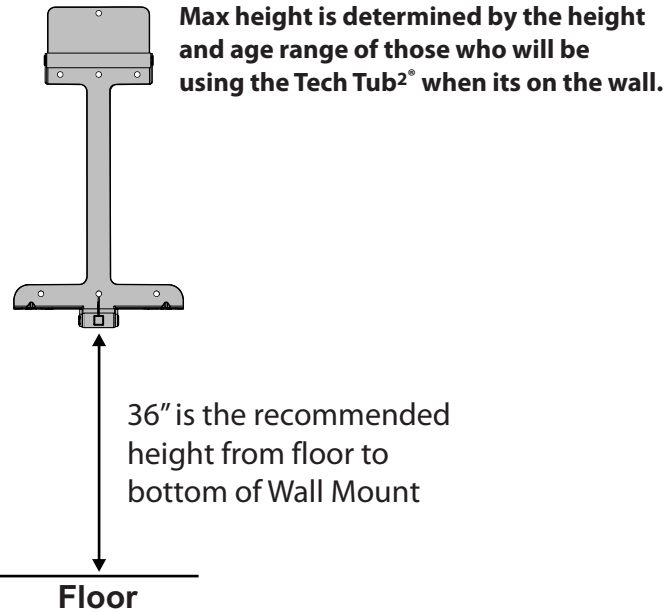
You will need: (Not to Scale)



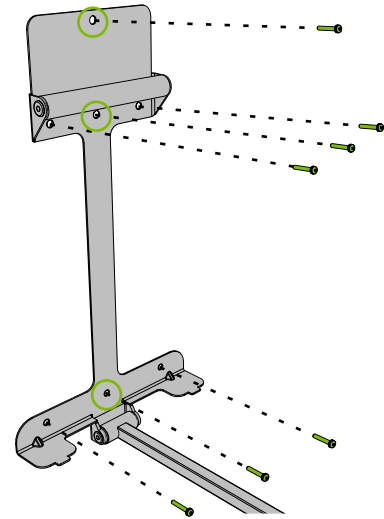
**NOTE:**  
 Mounting hardware NOT included. It is essential that appropriate hardware and installation techniques are used depending on the type of wall this bracket is being mounted to. The Installer is responsible for providing appropriate mounting hardware.

### Fasten Wall Mount to Wall

Use appropriate hardware to fasten Wall Mount to wall.

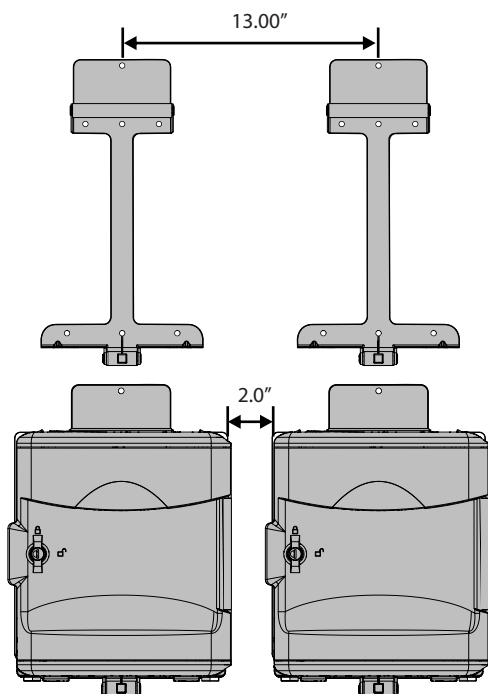


Use the **three center holes** for studded walls. Use wall anchors for the remaining holes. For all other wall types use holes as needed depending on mounting surface.

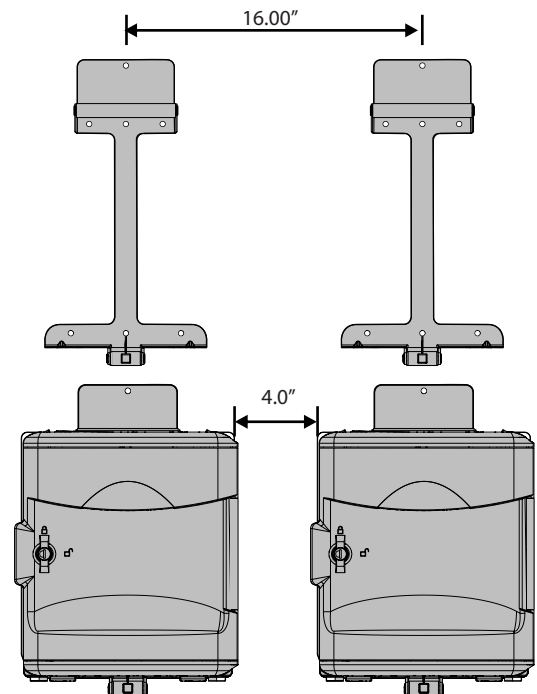


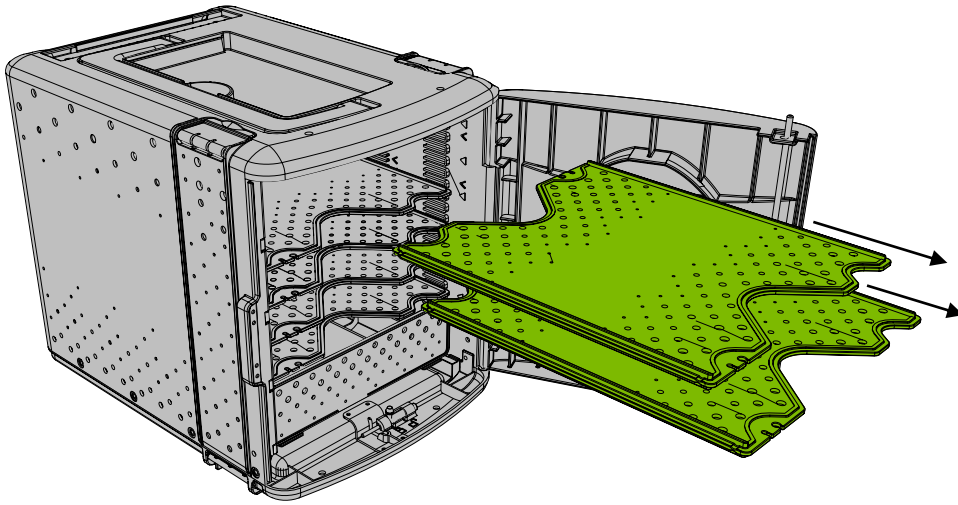
**!** If you are mounting more than one Wall Mount please determine the correct spacing using the guide below. The minimum center to center dimension between brackets is 13.00". We recommend 16.00" **■** so that your arms/hands will fit between the tubs when mounted on the wall.

#### Minimum Centre to Centre Dimension



#### Ideal Centre to Centre Dimension





**Remove the top two shelves before step 2. Reinstall them before proceeding to step 3.**

**2**

Actual Size:

**A** 1/4" x 1/2" Screw  
(4300382)  
x2



**B** 1/4" Flat Washer  
(43019)  
x2

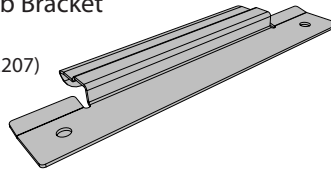


**C** 1/4" Keps Nut  
(4301621)  
x2



You will need: (Not to Scale)

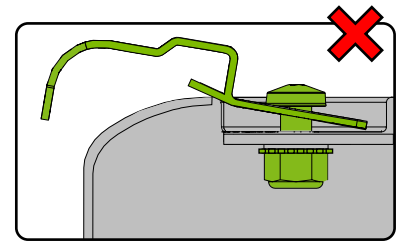
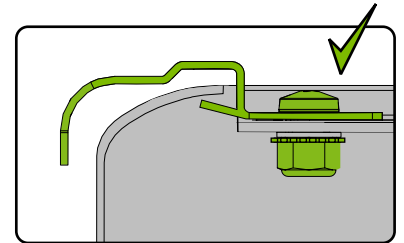
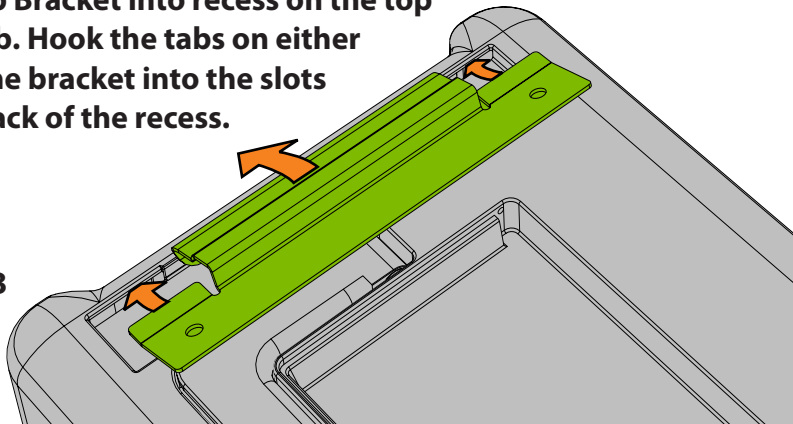
Tub Bracket  
x1  
(32207)



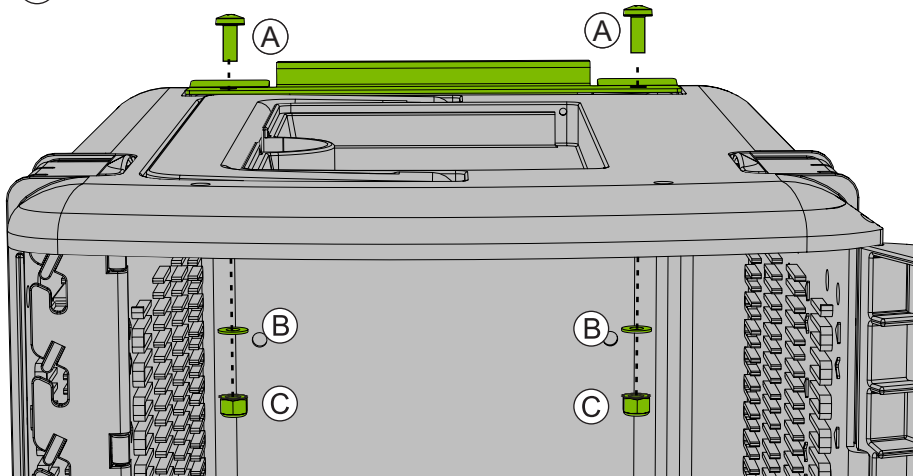
### Install Tub Bracket onto Tech Tub<sup>2</sup>

- 1 Place Tub Bracket into recess on the top of the tub. Hook the tabs on either side of the bracket into the slots on the back of the recess.

BACK OF TUB



- 2 Fasten Tub Bracket in place using the the supplied hardware.

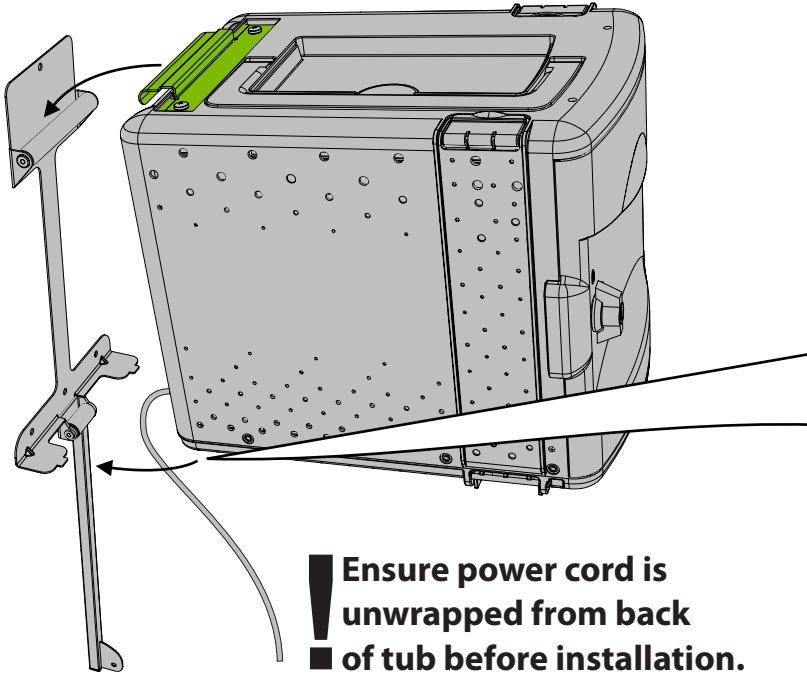


**Please reinstall the top two shelves before proceeding to step 3.**

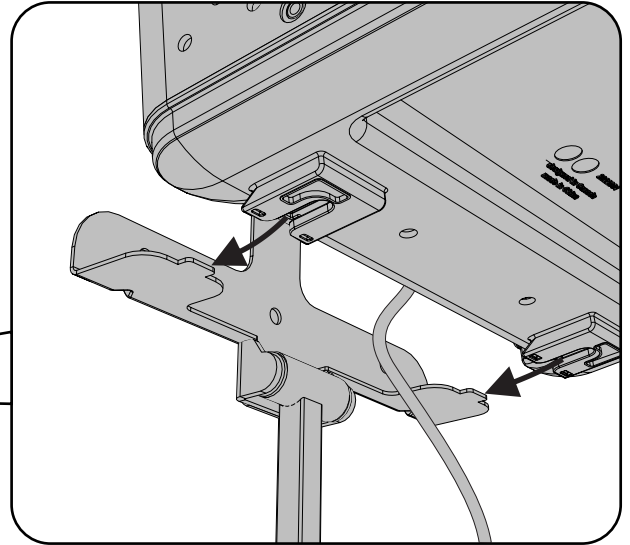
You will need: (Not to Scale)

## Install Tech Tub<sup>2</sup>® onto Wall Mount

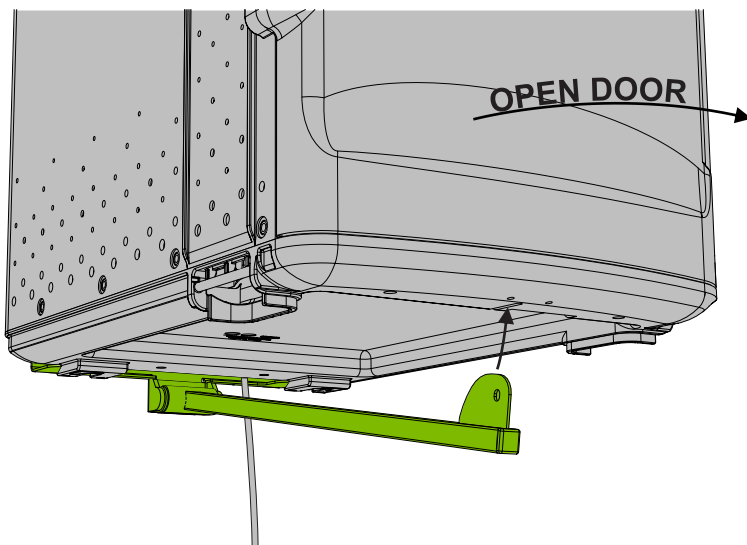
- ① Hook the Tub Bracket over the tube on the top of the Wall Mount.



- ② Swing the tub down allowing tabs on the bottom of the Wall Mount to slot into the feet of the tub.



- ③ Open front door then swing the locking arm up into the slot on the bottom of the tub.



- ④ Slide the locking pin through the tab on the end of the locking arm then close the front door.

