

Tech Tub²® Compatibility

Step 1A - What tablet are you using? See chart below.

For chromebooks and laptops, skip to [Page 2](#).

For tablets in cases, skip to [Page 3](#).

Don't see your device? Skip to [Page 5](#) for more information.

Tablets

Device Name	FTT700 Premium Tech Tub ² ® - 6 devices	FTT1100 Premium Tech Tub ² ® - 10 devices	FTT1100-USB* Premium Tech Tub ² ® - 10 devices	FTT1100-USBAUS* Premium Tech Tub ² ® - 10 devices
Acer Iconia Tab (8, 10)	•	•	•	•
Apple iPad, iPad 2, iPad (3rd Gen.), iPad (4th Gen.)	✓	✓	✓	✓
Apple iPad Air, iPad Air 2	✓	✓	✓	✓
Apple iPad Mini, iPad Mini 2, iPad Mini 3, iPad Mini 4	✓	✓	✓	✓
Apple iPad Pro (9.7in / 10.5in / 12.9in)	✓	✓	✓	✓
Asus Zen Pad (8, 10)	•	•	•	•
Dell Venue 11 <small>(Compatible with FTT700 and 1100 using ac adapter with ac power extension cable part no. LA65NM170)</small>	•	•		
Google Pixel Slate	•	•		
Microsoft Surface 1, 2, 3 (Pro, RT)	•	•		
Microsoft Surface Pro 4 (without keyboard)	•	•		
Samsung Galaxy Note 10.1, Note 12.2			•	•
Samsung Galaxy Tab 10.1			•	•

NOTE:
 FTT 1100-USBAUS is only for use in Australia.

Legend

- ✓ Tested and approved configuration
- Approved based on published manufacturer's specifications

* Please note: USB hub charges with 7.5W per port. Check your device power requirements to ensure proper charging.

Tech Tub²® Compatibility

Step 1B - What chromebook or laptop are you using? See chart below.

For chromebooks and laptops in cases, skip to **Page 4**.
 Don't see your device? Skip to **Page 5** for more information.

Chromebooks and Laptops

Device Name	FTT700 Premium Tech Tub ² ® - 6 devices	FTT1100 Premium Tech Tub ² ® - 10 devices
Acer Chromebook 13 C810	•	•
Acer C740 Chromebook	•	•
Acer R11 C738T Chromebook	•	•
Acer TravelMate B115/B115P	•	•
Acer Chromebook Spin 11	✓	✓
Apple MacBook Air 11, 13	✓	✓
Apple MacBook (12")	✓	✓
Apple MacBook Pro 13	✓	✓
Asus Flip C100 Chromebook	•	•
Asus Flip C200 Chromebook	✓	✓
Asus Flip C300 Chromebook	✓	✓
Dell Chromebook 11 (1st, 2nd, 3rd Gen.)	✓	✓
HP Chromebook 11	✓	✓
HP Chromebook 11 (G3, G4, G4EE, G5, G5EE, G6, G6EE)	•	•
HP Stream 11, Stream 11 x360, Stream 13	•	•
Lenovo Chromebook (N20, N21, N22, N23)	•	•
Lenovo Thinkpad 11e (Windows & Chromebook OS)	✓	✓
Lenovo Thinkpad Yoga 11e Chromebook	•	•
Microsoft Surface Book	•	•
Samsung Chromebook (XE303)	✓	✓
Samsung Chromebook 2 (XE503), 3 (XE500)	•	•
Samsung Chromebook 3	✓	✓
Samsung Chromebook Plus	✓	✓
Toshiba Chromebook 2 (13.3" Screen)	•	•
Toshiba CB30 Chromebook	•	•
Toshiba Portege A30T, Portege Z20T	•	•

Legend

- ✓ Tested and approved configuration
- Approved based on published manufacturer's specifications

Tech Tub²® Compatibility

Step 2A - What tablet case are you using? See chart below.

Don't see your case? Skip to **Page 5** for more information.

Apple iPad - Cases

Case Name	FTT700 Premium Tech Tub ² ® - 6 devices	FTT1100 Premium Tech Tub ² ® - 10 devices	FTT1100-USB* Premium Tech Tub ² ® - 10 devices	FTT1100-USBAUS* Premium Tech Tub ² ® - 10 devices
Ballistic Case Tough Jacket (for iPad Air)	•	•	•	•
Big Grips Slim (for iPad 2/3/4)	✓	✓	✓	✓
Big Grips Slim (for iPad Air)	✓	✓	✓	✓
Griffin Survivor	•	•	•	•
Otterbox iPad Defender Series	•	•	•	•
UZBL Airwave Case	•	•	•	•
UZBL Shockwave Case	•	•	•	•
Seidio Dilex™ with Multi-Purpose Cover	•	•	•	•
Gumdrop Drop Tech	•	•	•	•
Gumdrop Drop Tech Hideaway	•	•	•	•
STM Dux (for iPad Air)	•	•	•	•
Max Cases Guardian Case (for iPad Air)	•	•	•	•

NOTE:
 FTT 1100-USBAUS is only
 for use in Australia.

Legend

- ✓ Tested and approved configuration
- Approved based on published manufacturer's specifications

* Please note: USB hub charges with 7.5W per port. Check your device power requirements to ensure proper charging.

Apple iPad Mini - Cases

Ballistic Case Tough Jacket (2nd Gen., 3rd Gen.)	•	•	•	•
Big Grips Tweener	•	•	•	•
Griffin Survivor	•	•	•	•
Otterbox iPad Defender Series	•	•	•	•

Tech Tub²® Compatibility

Step 2B - What laptop or chromebook case are you using? See chart below.

Don't see your case? Skip to [Page 5](#) for more information.

Chromebook and Laptop Cases

Case Name	Device	FTT700 Premium Tech Tub ² ® - 6 devices	FTT1100 Premium Tech Tub ² ® - 10 devices
Gumdrop Softshell	Samsung Chromebook 3	•	•
	Samsung Chromebook V2	•	•
	Acer Chromebook 11 C740	•	•
	Acer Chromebook 11 CB3	•	•
	Lenovo N21	•	•
	Lenovo N22	•	•
	Dell New Chromebook 11	•	•
	Asus Chromebook 11 C200	•	•
	HP Chromebook 11	•	•
	Microsoft Surface 3	•	•
	Microsoft Surface Pro 3	•	•
	Microsoft Surface Pro 4	•	•

Legend

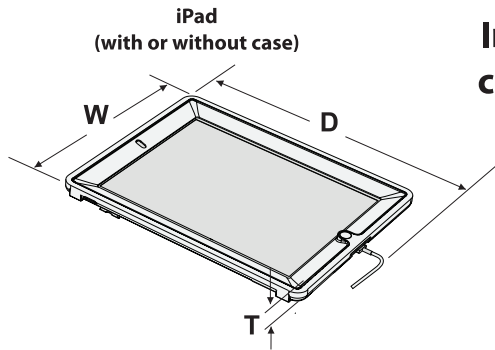
- ✓ Tested and approved configuration
- Approved based on published manufacturer's specifications

Tech Tub²® Compatibility

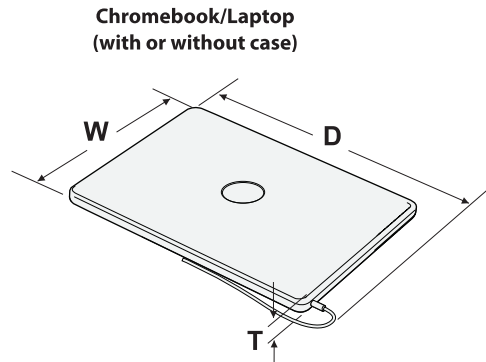
Step 3 - Does your device/case fit?

If your device is not listed, please refer to the maximum device size/case size in table below.

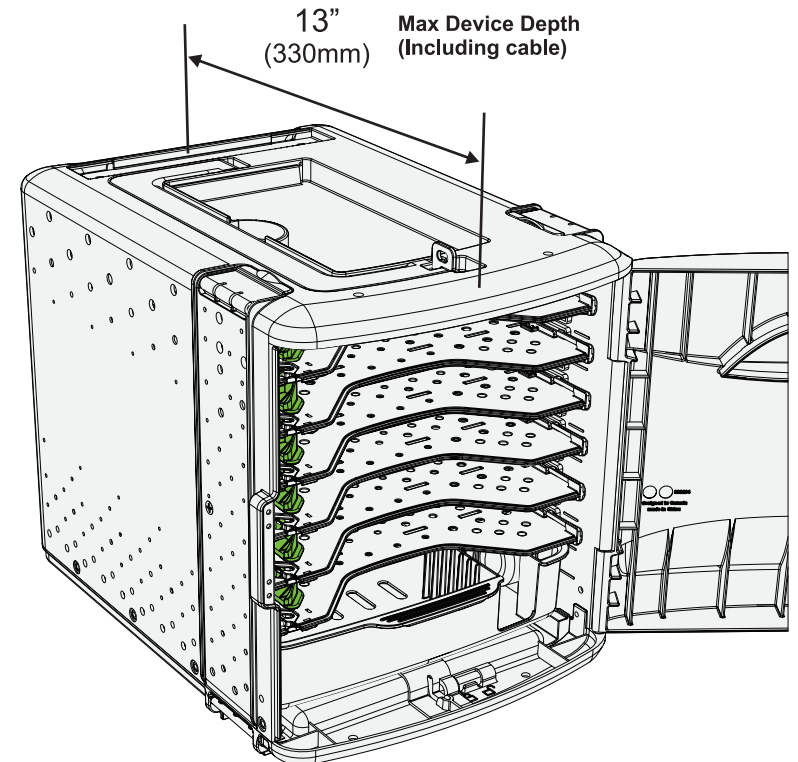
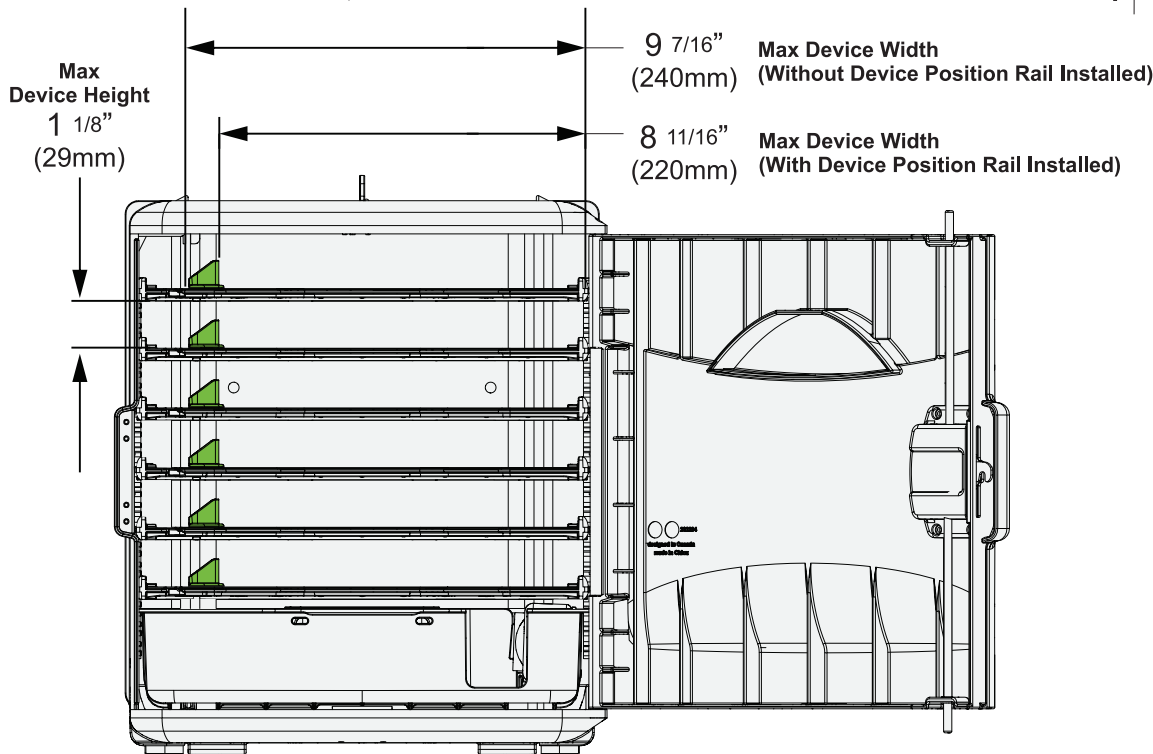
SKU	Product Name	Maximum Device or Device Case Size (MUST INCLUDE CHARGING CABLE IN MEASUREMENT)
FTT700	Premium Tech Tub ² ® - holds 6 devices	13" D x 9-7/16" W x 1-1/8" T (33.0cm D x 24.0cm W x 2.9cm T)
FTT1100/FTT1100-USB/FTT1100-USBAUS	Premium Tech Tub ² ® - holds 10 devices	For further assistance with device compatibility call our customer service number at 1-800-267-8494 .



Include charging cable in depth(D) measurement



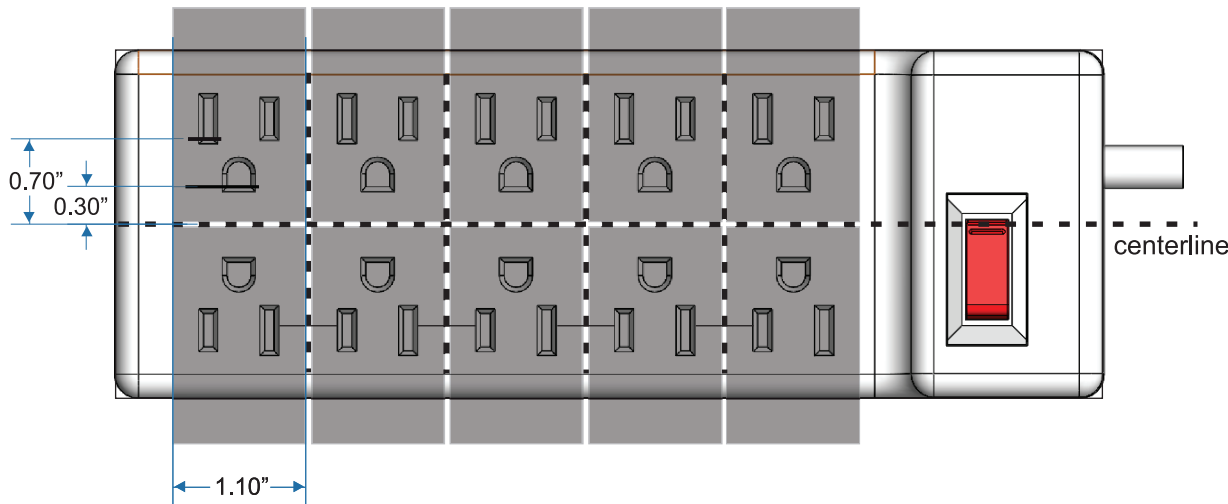
Device positioning rail is designed specifically for Dell 11 Chromebooks. If more space is required for a different device, remove Device Positioning Rail from shelf.



Tech Tub²® Compatibility

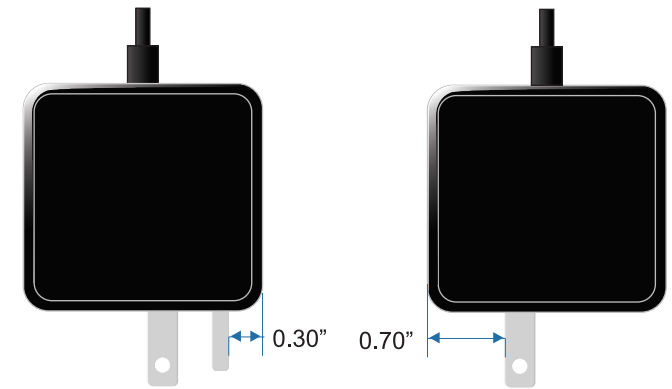
Step 4 - Does your device power adapter fit?

10 Outlet Power Strip



Adapter must be 1.1" wide or less to fit side by side on power strip.

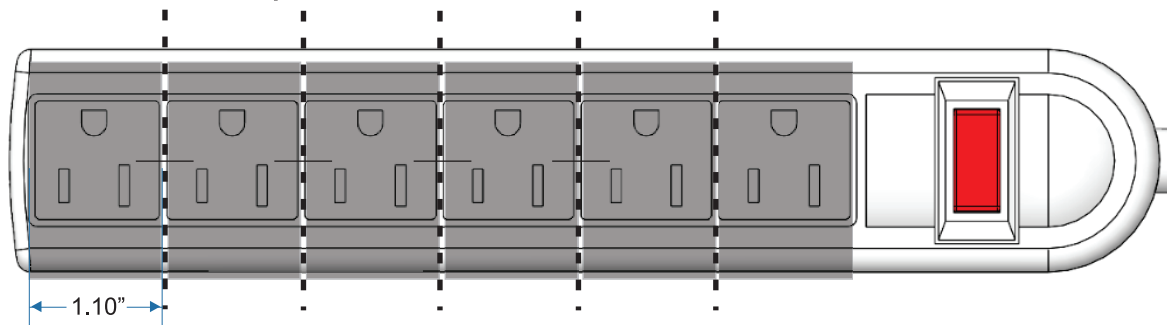
Fitting power adapters onto 10 Outlet Power Strip



For power adapters with the grounding pin, measure from the edge of the adapter closest to the grounding pin. This dimensions must be 0.30" or less to fit on the 10 outlet power strip.

For power adapters without the grounding pin, measure from the edge of the adapter to the closest prong. This dimensions must be 0.70" or less to fit on the 10 outlet power strip.

6 Outlet Power Strip



Adapter must be 1.1" wide or less to fit side by side on power strip.