



**i3TOUCH
V Series 4K**

Get started with collaboration technology.



The i3TOUCH V-Series is the perfect touchscreen if you want to get started with interactive work sessions, without hurting your budget or challenging your technology skills.

Top features



V-Sense

The touchscreen gives perfect results when working in strong light, thanks to the V-Sense touch technology.



Simple Notetaking

Take quick notes in the i3NOTES whiteboarding app.



Browse

Bring your content to life with the integrated browser.



Touch

up to 20 touch points.

Specifications	65"	75"	86"
----------------	-----	-----	-----

PRODUCT INFORMATION

Model name	i3TOUCH V1165 4K	i3TOUCH V1175 4K	i3TOUCH V1185 4K
Product series	i3TOUCH V-Series - Interactive Flat Panel Displays		
Product order code	VSV0005803	VSV0005804	VSV0005805

DISPLAY SPECIFICATIONS

Display technology	Liquid Crystal Display (LCD) with DirectLED lighting		
Panel active screen area	1429 x 804 mm 56.3" x 31.7"	1648 x 927 mm 64.9" x 36.5"	1895 x 1066 mm 74.6" x 42"
Display aspect ratio	16:9		
Display native resolution	3840 x 2160 pixels - 4K Ultra High Definition		
Brightness	450 cd/m ²		
Contrast ratio	1200:1		
Viewing angle	178° / 178°		
Colour depth	1.073 billion colors (10 bit)		
Response time (typ.)	6 ms	8 ms	8 ms
Refresh rate	60 Hz (@ UHD)		
Pixel pitch	0.496 x 0.372 mm	0.429 x 0.429 mm	0.4935 x 0.4935 mm
Supported orientation	Landscape		
Glass	4 mm Hardened Anti-Reflection Safety Glass		
Life time	30,000 hours		

CONNECTIVITY

1x HDMI 2.0, 1x HDMI 1.4
1x VGA + audio jack (3.5 mm TRS connector)
1x SPDIF
1x audio jack (3.5 mm TRS connector)
1x USB 3.0, 2x USB 2.0
OPS-PC slot (JAE TX24 connector)
1x COM DE-9 (RS-232)
1x RJ45 LAN
2x 16 Watt

OPERATIONAL FEATURES

Operating System	Android 5.0
Architecture	CPU: ARM CORTEX A53 Quad-Core (1.4 GHz)
	GPU: ARM MALI-450
	RAM: 2 GB
	ROM: 16 GB
Interactive touch	Technology: V-Sense Infrared Touch recognition
	Input Detection: 20 touch inputs
	Touch Connection: 1x USB-B
	Recognition: Finger or passive stylus (size ≥ 6 mm)
	Response time: < 15 ms
	Accuracy: ± 2 mm
Supported compatibility	Windows, Android, Macintosh OSX, Linux, ChromeOS
Maximum operating hours	18 hours / day

Specifications

65"

75"

86"

SOFTWARE FEATURES

i3NOTES+ Whiteboarding application Make annotations and share immediately with every device.

ELECTRICAL PROPERTIES

Power voltage	100 ~ 240 Volt - 50/60 Hz		
Power consumption	170 Watt (standby < 0.5 Watt)	400 Watt (standby < 0.5 Watt)	440 Watt (standby < 0.5 Watt)

ENVIRONMENTAL CONDITIONS

Operating temperature	0° C to 40° C
Operating humidity	0% to 60% RH non-condensing
Storage temperature	-10° C to 60° C
Storage humidity	0% to 80% RH non-condensing
Max. operational altitude	5,000 meters

PHYSICAL PROPERTIES

Product dimensions	1519 x 895 x 114 mm (59.8" x 35.3" x 4.5")	1745 x 1024 x 117 mm (68.7" x 40.4" x 4.6")	1998 x 1169 x 115 mm (78.7" x 46.0" x 4.5")
Net product weight	61 kg	80 kg	101 kg
Packaging size	1660 x 1045 x 245 mm (65.4" x 41.2" x 9.7")	1880 x 1160 x 280 mm (74.0" x 45.7" x 11.0")	2140 x 1340 x 280 mm (84.3" x 52.8" x 11.0")
Packaged weight	76 kg	96 kg	125 kg
Mounting pattern	500 x 400	600 x 400 mm	700 x 400 mm
Color	Black front bezel, black back cabinet		

WARRANTY

Standard Warranty	3 years
Extended Warranty(Opt.)	For education entities: 5 years (product registration), or 7 years

ACCESSORIES

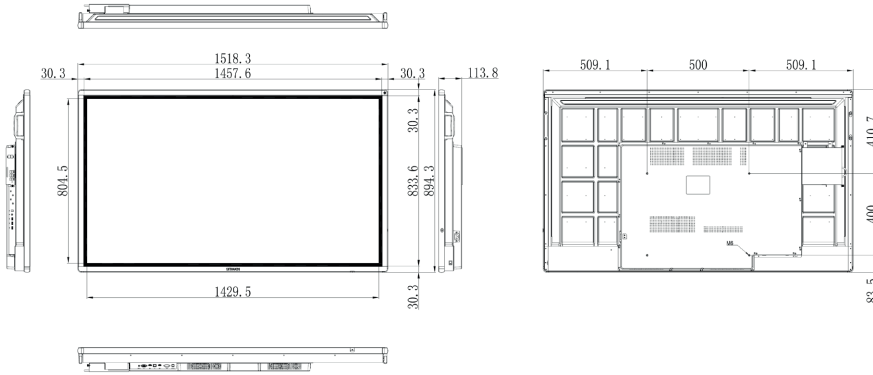
Included	User Manual, Remote Control, Power Supply Cord, HDMI cable (3 meter), USB cable (5 meter), 2x passive stylus, Wall Mount
Optional	i3COMPUTER OPS

REGULATORY INFORMATION

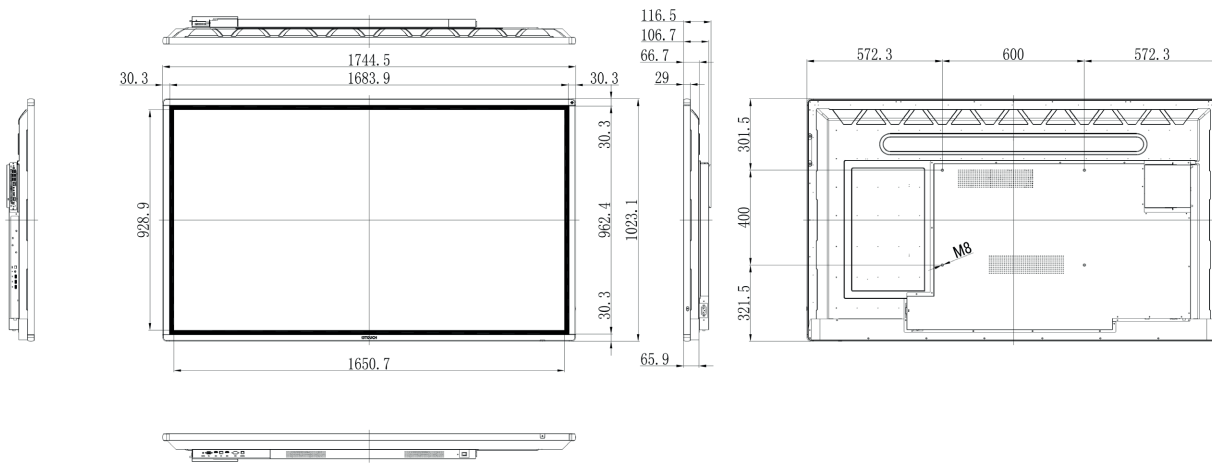
Product Type Approval	CE, FCC
-----------------------	---------

Technical drawing

65"



75"



86"

