



IT6122B

■ Features

- Luminous LED key
- Memory capacity: 100 groups
- High accuracy and resolution of 0.1mV/ 0.01mA
- List mode
- Timer function (0.01~60000S)
- Fast voltage rise speed (<20mS)
- Remote sense interface to compensate line voltage drop
- Built-in 5½ digital voltmeter
- Built-in RS232/USB interface and support SCPI protocol
- OVP, voltage/current-limiting protection
- Provide free software with strong function, saving secondary development time.

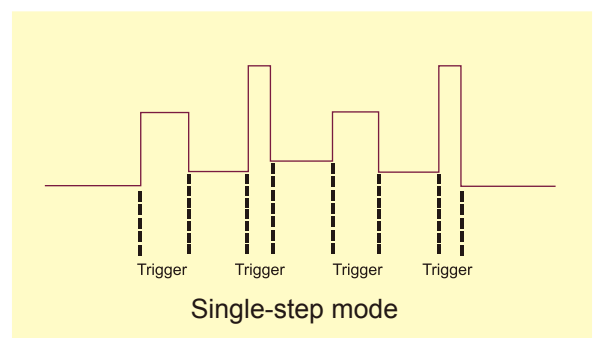
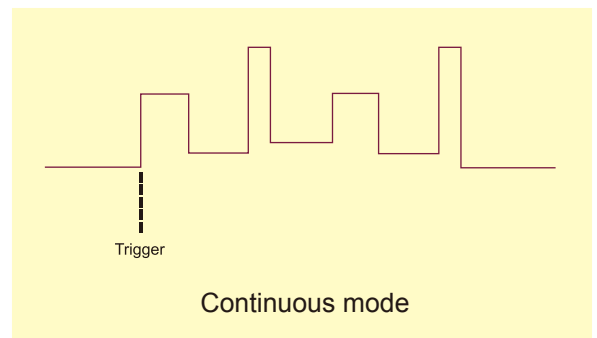
Model	Voltage	Current	Power
IT6121B	20V	5A	100W
IT6122B	32V	3A	96W
IT6123B	72V	1.2A	86W
IT6132B	30V	5A	150W
IT6133B	60V	2.5A	150W

IT6120B High Speed And High-accuracy Programmable DC Power Supply

IT6120B (86W~150W) Series has fast voltage rising speed and high accuracy. Voltage range 20V~72V,current range 1.2A~5A,voltage rising speed (<20mS),high accuracy and resolution of 0.1mV /0.01mA,Also configure with standard RS232/USB/ interface to realize fast communication speed.List configure can be operated on front panel. This series offer flexible solution to general laboratory and workshop requirement.

List Mode

List mode allows user to edit output waveform based on current/voltage with time variations. The list parameters include operating modes (continuous mode or single-step mode),recycling times,single-step voltage,single-step current, single-step time,saving file name. After the list editing is finished,when a trigger signal is received,the power supply will work according to the list steps .



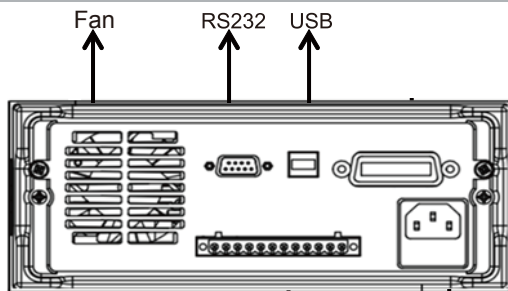
IT6120B Specifications

		IT6121B	IT6122B	IT6123B	IT6132B	IT6133B
Output Rating	Voltage	0-20V	0-32V	0-72V	0-30V	0-60V
	Current	0-5A	0-3A	0-1.2A	0-5A	0-2.5A
	Power	100W	96W	86.4W	150W	150W
Line Resolution	Voltage	<0.01%+1mV	<0.01%+1mV	<0.01%+1mV	<0.01%+1mV	<0.01%+2mV
	Current	<0.05%+1mA	<0.05%+1mA	<0.05%+1mA	<0.05%+1mA	<0.05%+0.05mA
Load Regulation	Voltage	<0.01%+2mV	<0.01%+2mV	<0.01%+2mV	<0.01%+2mV	<0.01%+2mV
	Current	<0.05%+0.1mA	<0.05%+0.1mA	<0.05%+0.1mA	<0.05%+1.5mA	<0.05%+0.5mA
Ripple(20-7MHz)	Vpp	<3mv Vp-p	<3mv Vp-p	<4mVp-p	<4mVp-p	<5mVp-p
	Irms	<3mA rms	<3mA rms	<3mA rms	<4mArms	<3mArms
Setup Resolution	Voltage	1mV	1mV	1mV	1mV	1mV
	Current	0.1mA	0.1mA	0.1mA	0.1mA	0.1mA
Setup Resolution	Voltage	±0.03%+3mV	±0.03%+3mV	±0.03%+6mV	±0.03%+3mV	±0.03%+6mV
	Current	±0.05%+2mA	±0.05%+2mA	±0.05%+1mA	±0.05%+2.5mA	±0.05%+1.5mA
Setup Accuracy	Voltage	0.1mV	0.1mV	0.1mV	0.1mV	0.1mV
	Current	0.01mA	0.01mA	0.01mA	0.01mA	0.01mA
Readback Resolution	Voltage	±0.02%+3mV	±0.02%+3mV	±0.02%+5mV	±0.02%+3mV	±0.02%+5mV
	Current	±0.05%+2mA	±0.05%+2mA	±0.05%+1mA	±0.05%+2.5mA	±0.05%+1.5mA
Transient Response						
	Load	<150uS	<150uS	<150uS	<150uS	<150uS
	Voltage Rise	<20mS	<20mS	<20mS	<20mS	<20mS
	Voltage Decend	<200mS	<150mS	<150mS	<250mS	<200mS
OVP	Range	1-19V	1-31V	1-71V	1-29V	1-59V
	Accuracy	±(Setup*0.5%+0.5V)				
	Response time	<10mS				
Size (W*H*D)	Dimension	214.5mm*88.2mm*354.6mm				
Weight		7Kg				

Digital Voltmeter

The digital milliohmmeter: IT6120B provide 4-wires resistance measurement method, measuring range: 0~1KΩ; The digital voltmeter: IT6100B provide 5 ½ voltage meter to measure external voltage, measuring range: 0~40V.

Rear Panel



Power supply output/Remote sensing DVM input/External control terminals

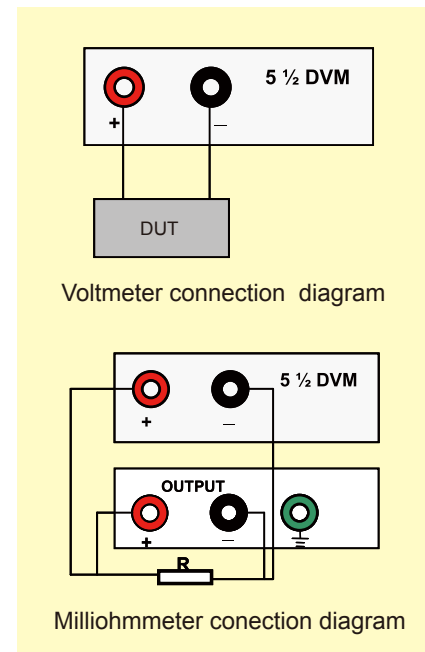
AC power input socket

Standard Accessories

Power Cord

User Manual

Calibration Report



Optional Accessories

IT-E121 RS232 Communication Cable

IT-E122 USB Communication Cable

IT-E135 GPIB Communication Cable

IT-E151 (For Under 1200W) 19-inch Rack Mount Kit