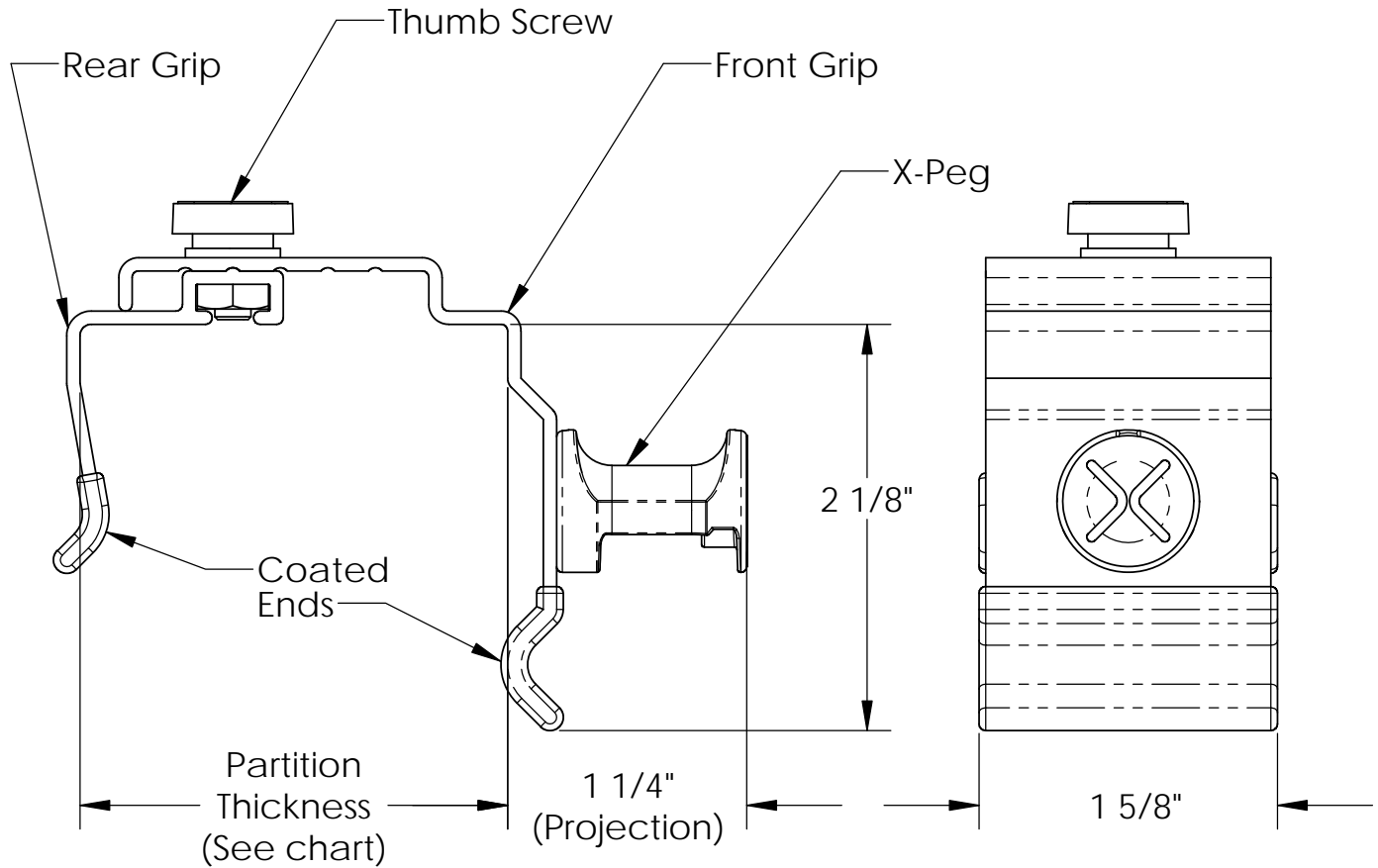


X-HANGERS



ITEM	QUANTITY	PARTITON THICKNESS
NEX011XHS	1 PAIR	1 1/2" - 2 1/2"
NEX016XHS	6 PAIR	1 1/2" - 2 1/2"
NEX021XHL	1 PAIR	2 1/2" - 3 1/2"
NEX026XHL	6 PAIR	2 1/2" - 3 1/2"

Materials:

- Front and Rear Grips: Partly gray vinyl dipped satin anodized aluminum extrusion.
- X-peg: Gray thermoplastic
- Thumbscrew: Black thermoplastic knob with stainless steel stud
- Hex nut: Stainless steel

Features:

- Low profile thumbscrew.
- Pre-assembled
- Adjustable for various partition thicknesses.