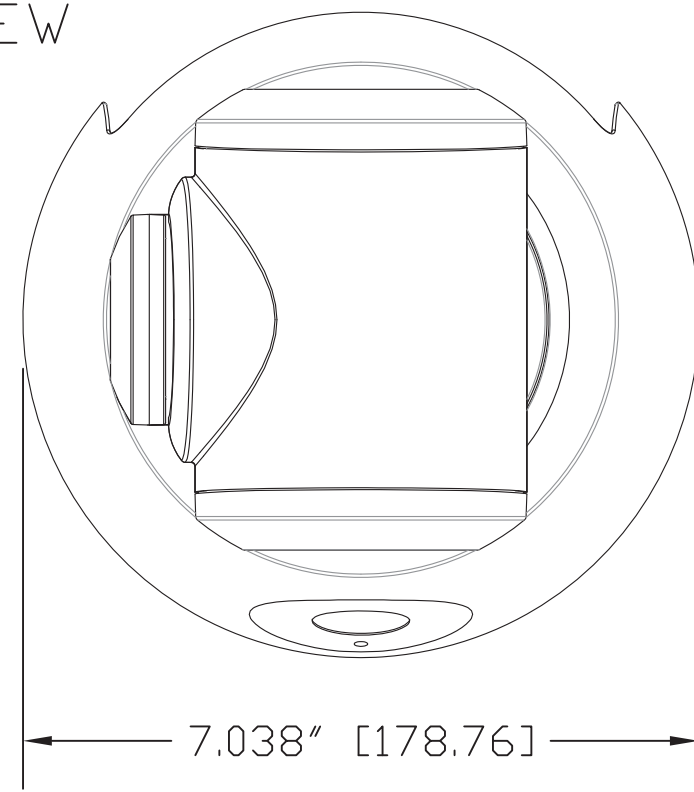
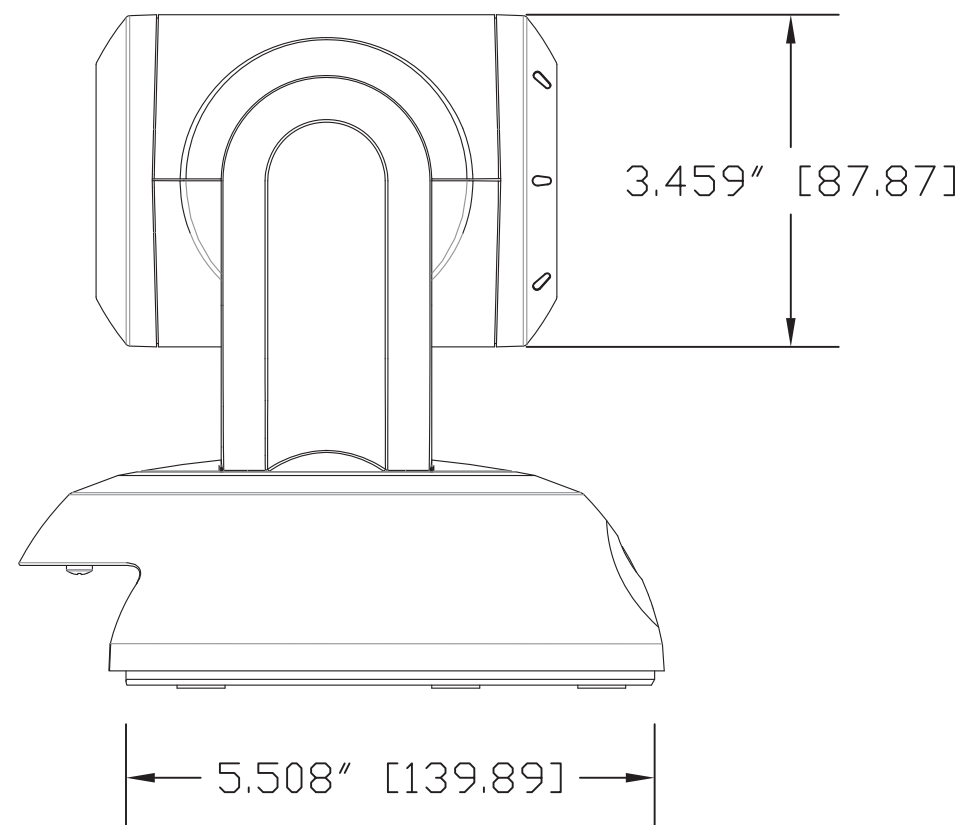


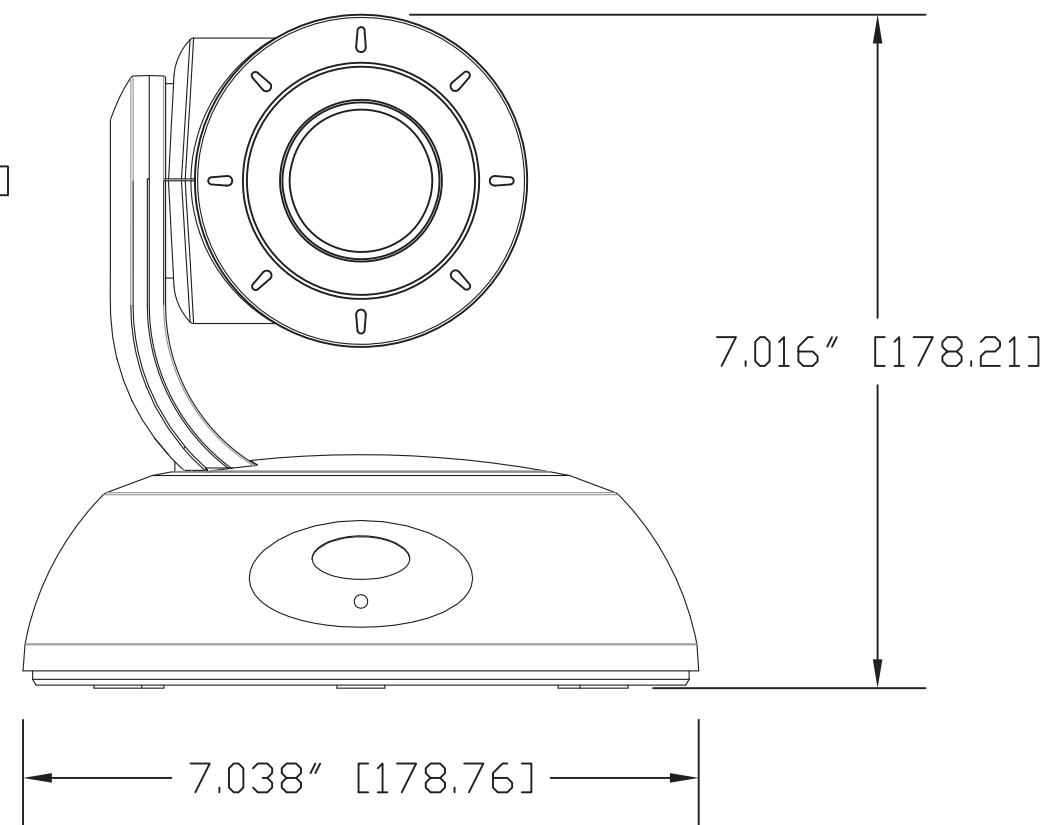
TOP VIEW



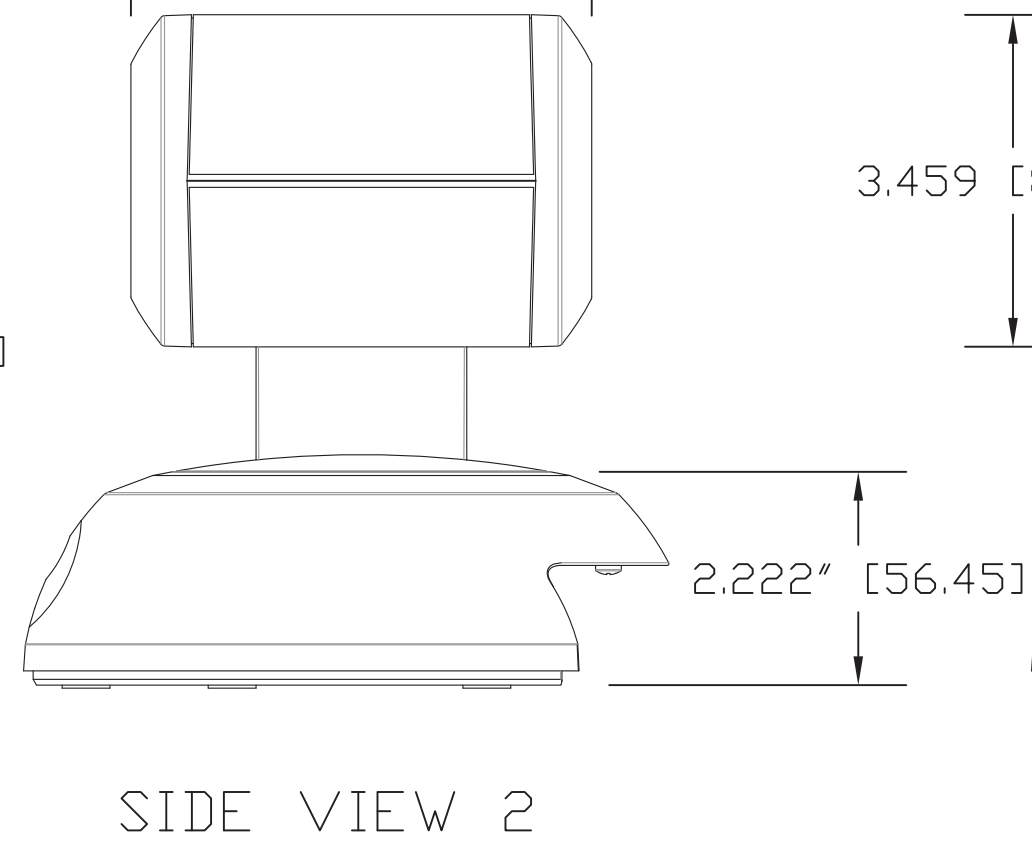
SIDE VIEW 1



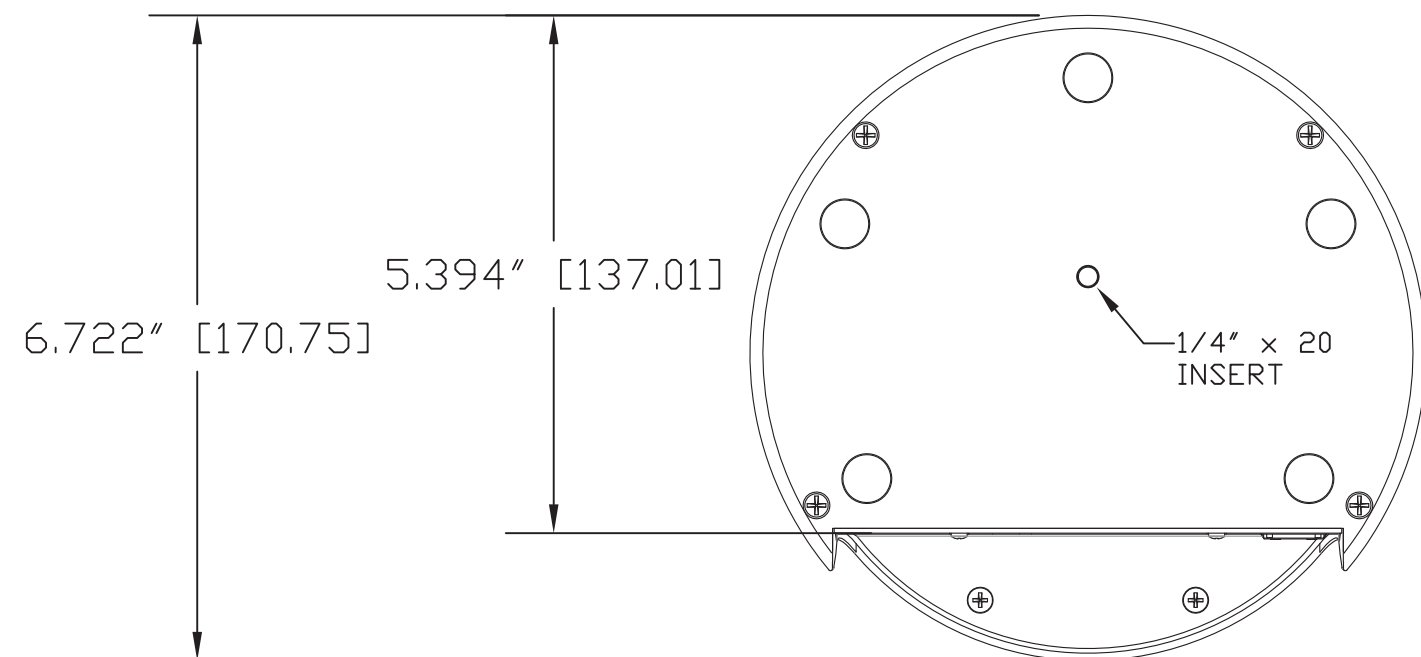
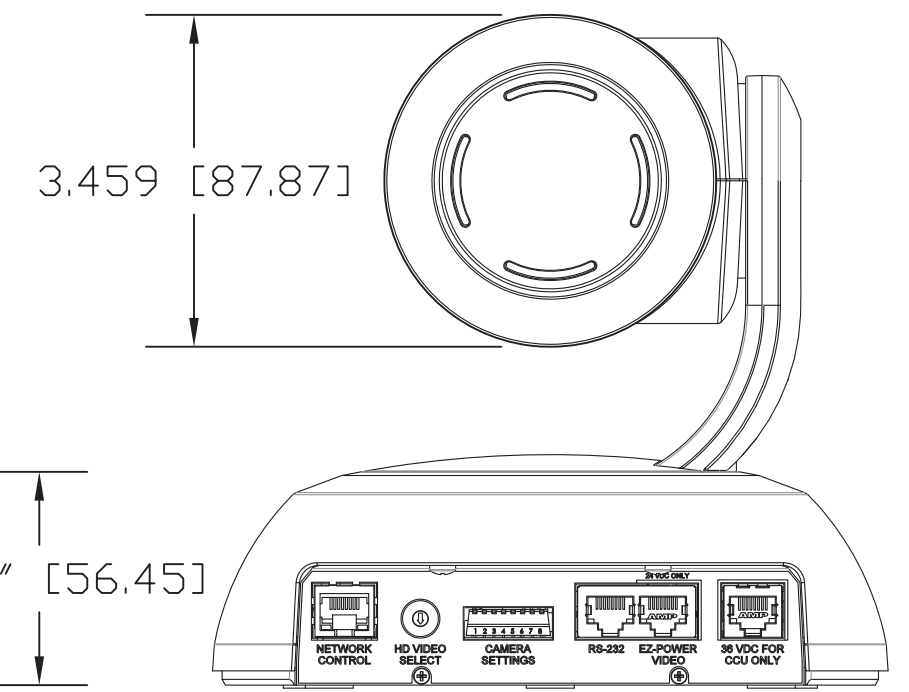
FRONT VIEW



4.800" [121.92]



REAR VIEW



BOTTOM VIEW



GENERAL NOTES:
DIMENSIONS ARE IN INCHES (mm) UNLESS OTHERWISE NOTED.
DO NOT DISTRIBUTE WITHOUT EXPRESS WRITTEN PERMISSION
OF VADDIO. DUE TO OUR CONTINUING EFFORTS TO ENHANCE
OUR PRODUCTS, WE RESERVE THE RIGHT TO CHANGE
SPECIFICATIONS WITHOUT PRIOR NOTICE OR OBLIGATION.

RoboSHOT 30 HD PTZ Camera (30X Optical Zoom)

Camera Package PN: 998-9910-000
Cat-5/5e/6 Type Connectivity - Requires System with Quick-Connect Interface

DRAWN RAR/WLF	CHECKED	APPROVED RAR	DATE 01/28/2015 SD: 68541.9
------------------	---------	-----------------	-----------------------------------

THIS DRAWING, INCLUDING ALL SUBJECT MATTERS INDICATED THEREON OR DERIVED THEREFROM, HERETOFORE, COMPRISES PROPRIETARY INFORMATION AND IS THE EXPRESS PROPERTY OF VADDIO. All Rights Reserved - Copyright 2015

MATERIALS Various	SCALE 1:2	DRAWING No. 9910-000	REV Rev B
COMMENTS Image Displacement Translator (IDT) - NOT INCLUDED	SIZE C		