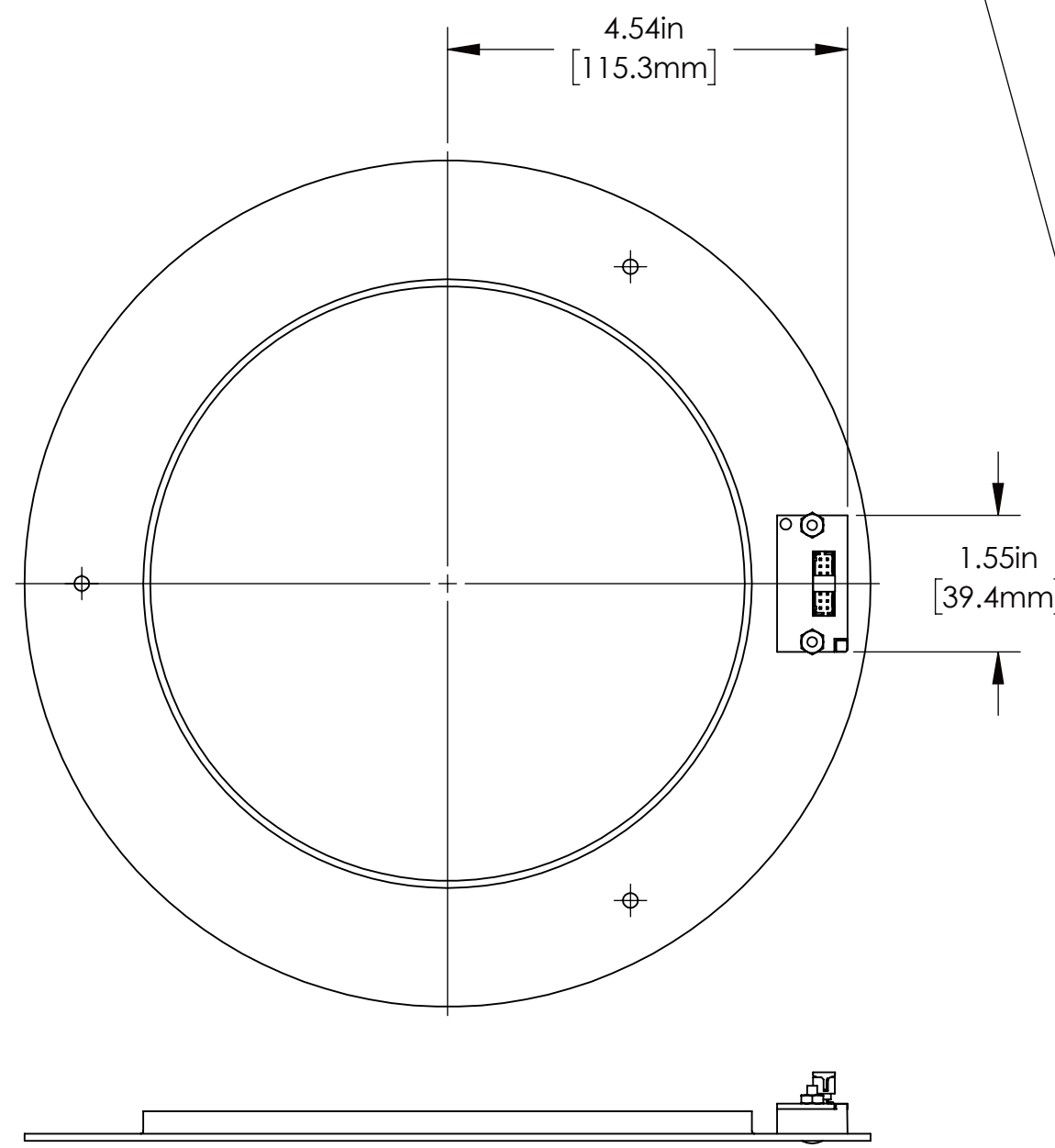
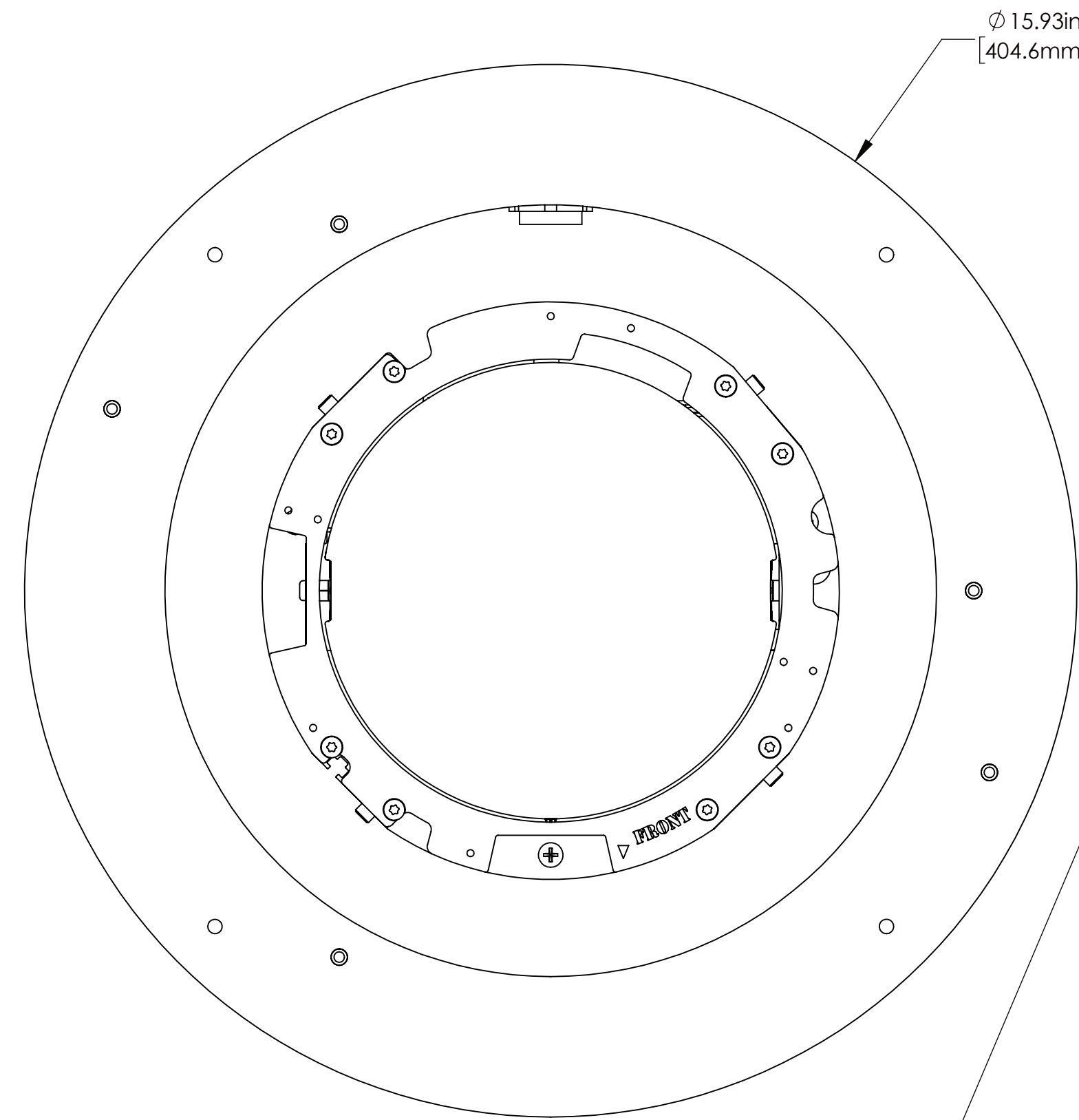
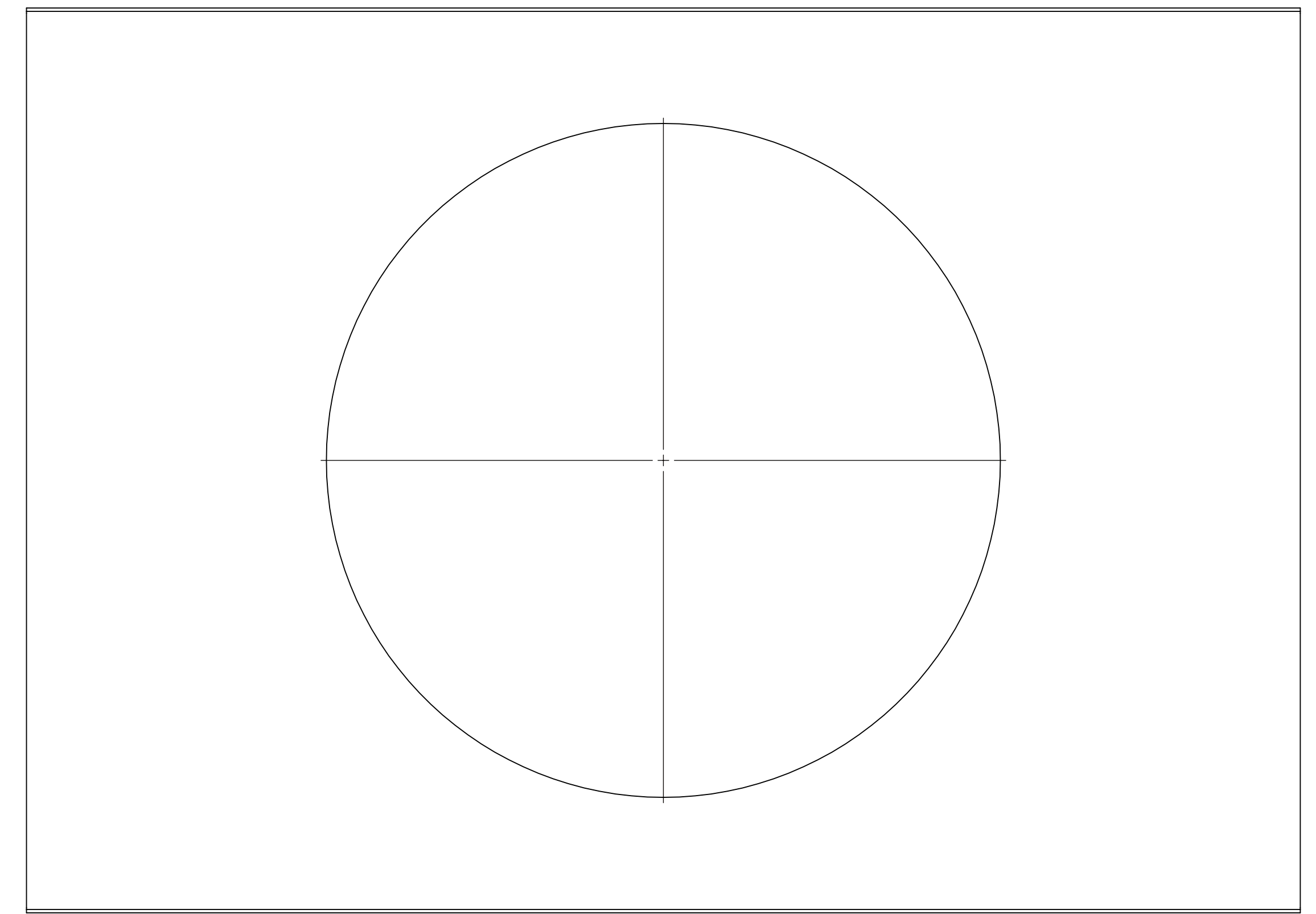
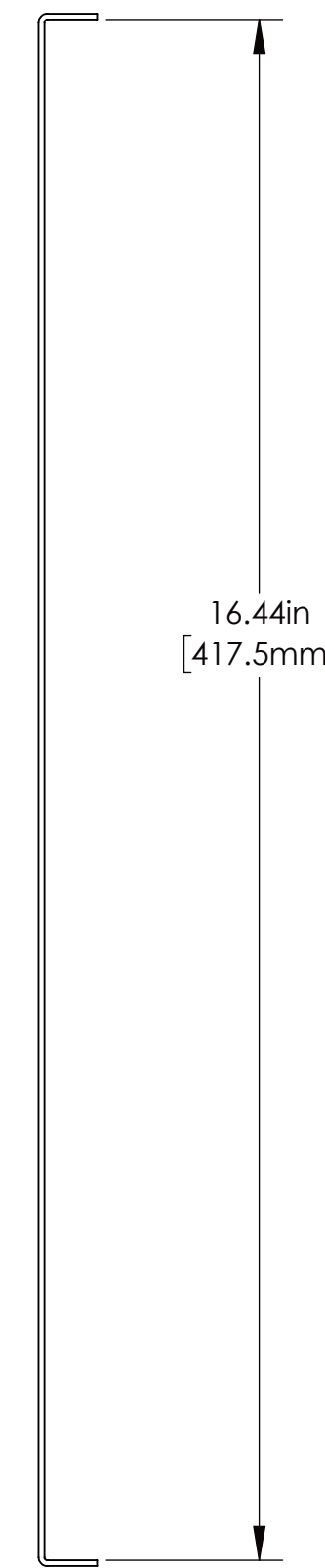
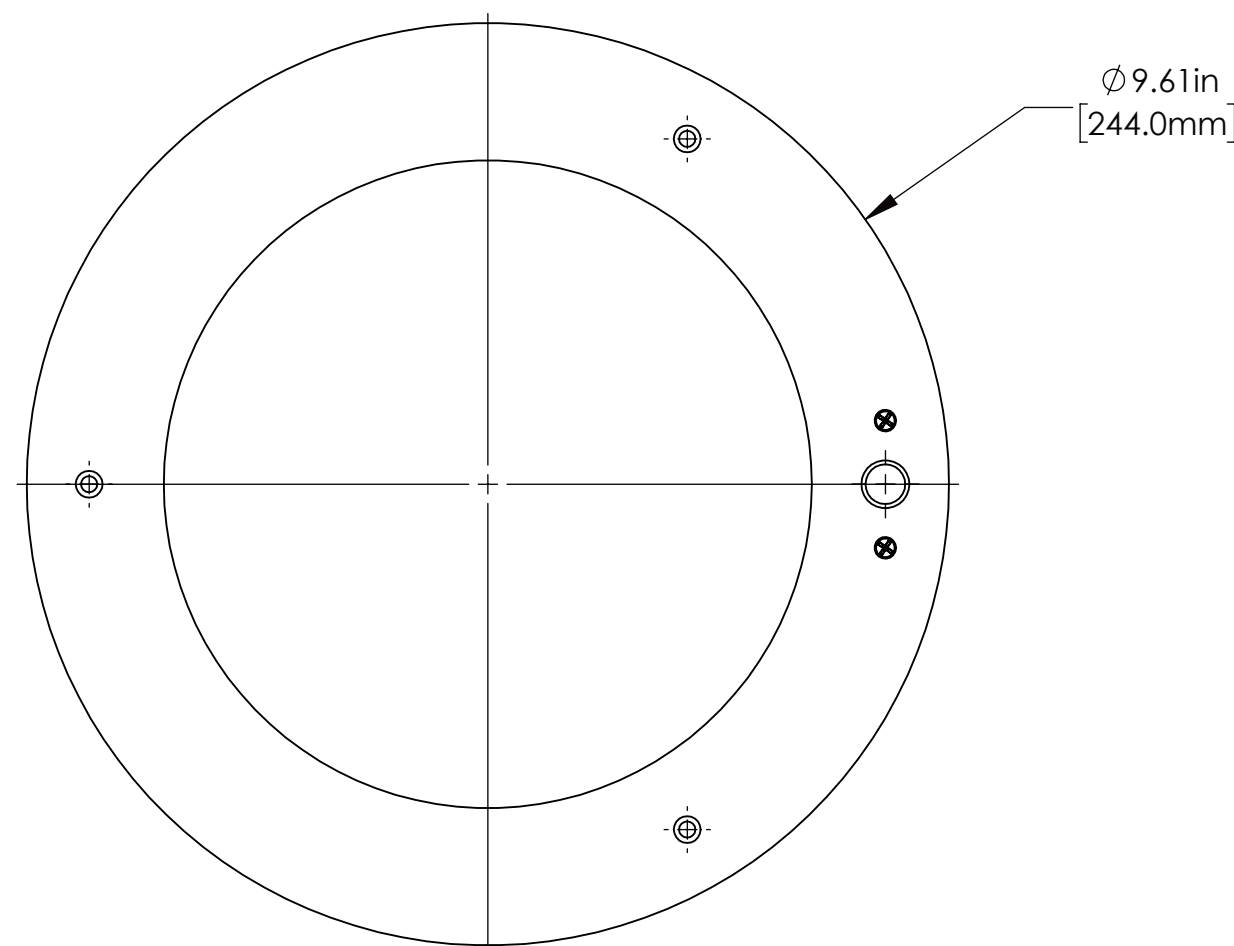


998-99800-000
BACK CAN/CAMERA ASSEMBLY



342-1632 TRIM RING ASSEMBLY



342-1640 TILE BRACE

DRAWING NO.
999-99800-000

UNLESS OTHERWISE NOTED: DIMENSIONS ARE IN INCHES DIMENSIONAL LIMITS APPLY AFTER FINISH		THIS DRAWING, INCLUDING ALL SUBJECT MATTERS INDICATED THEREON OR DERIVED THEREFROM, COMPREHENSIVE PROPRIETARY INFORMATION AND IS THE EXPRESS PROPERTY OF LEGRAND AV INC. EMPLOYMENT, REPRODUCTION OR DISSEMINATION OF THIS DRAWING, IN WHOLE OR IN PART, WITHOUT WRITTEN PERMISSION OF LEGRAND AV INC. IS STRICTLY FORBIDDEN.		
MACHINED SURFACES 125	EDGES & FILLETS R .005/.015			
FRACTIONS ± 1/32	ANGLES ± 1°			
DEC. XX = ± .015	XXX = ± .005			
XXXX = ± .0002	FINISH: NONE			
DRAWN: WLF		CHECKED:	APPROVED:	DATE: 8/18/20
MATERIAL: VARIOUS		SIZE: D		SCALE: 1:2
TITLE: ROBOFLIP CAMERA ASSEMBLY		SHEET: 1 OF 1	DRAWING NO.: 999-99800-000	REV: A